

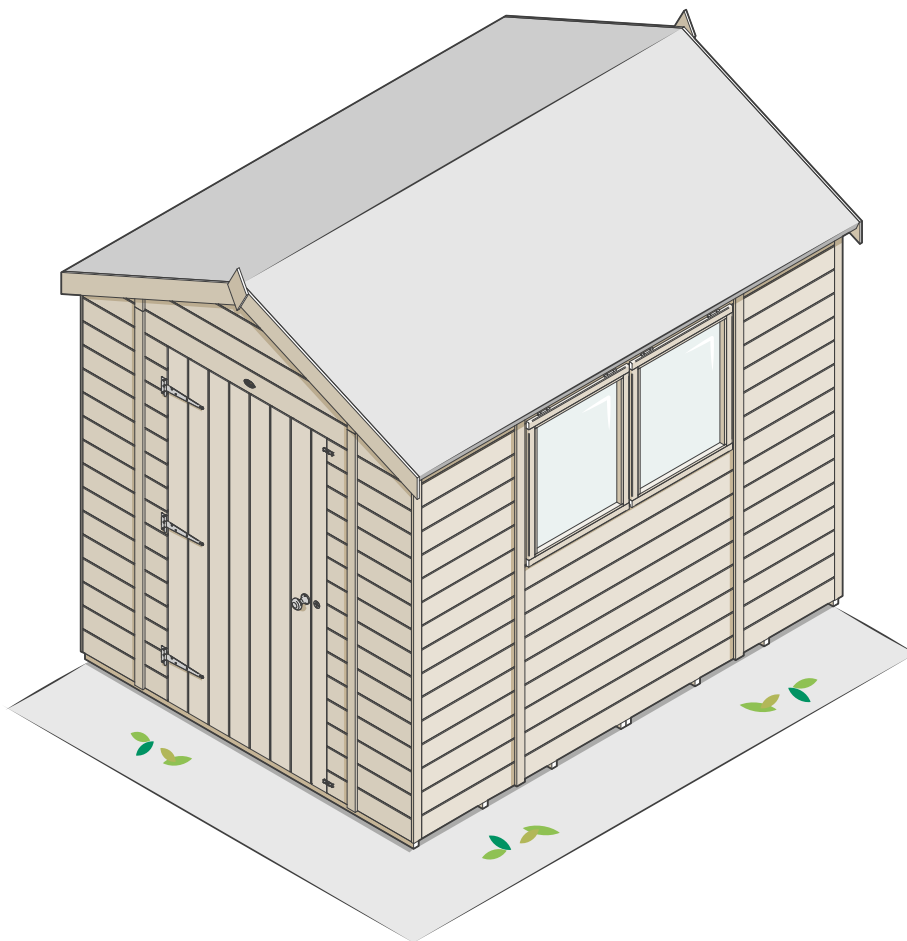


Timberdale
by **forest**

SHED INSTRUCTIONS

MEDIUM SHEDS SINGLE DOOR (8x6)

*Thank you for purchasing your TSG Timberdale shed from Forest Garden.
No matter what size garden, a shed is the most practical of garden structures.*



Missing something or need more information?
Call our aftersales team on
0333 321 3142

**Visit our website for spare instructions and
more information**
www.forestgarden.co.uk

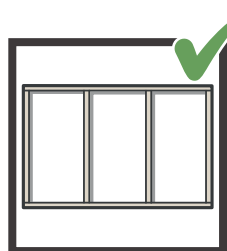
Before You Start..

Please read through these instructions to familiarise yourself with your shed. We recommend that you **check all the components and fixings**. Your **fixings** can be found on **page 5** and your parts list can be found packed separately within your shed.

All our sheds are constructed in the same way, they simply come with different components depending on the type of shed you have. We have sent you a **generic fixing pack** to suit the shed range.

Base Preparation

It is vital that you build your new shed on a **solid, level base**. Timber or Plastic Shed Bases are ideal, as is solid concrete or concrete slabs.



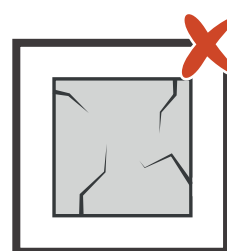
Timber Base
Self-constructed/
Buy pre-made



Concrete
Concrete surface/
Concrete slabs



Pro Shed Base
Interlocking
eco-friendly base



Broken Slabs/Gaps
Uneven slab sizes
with no cement



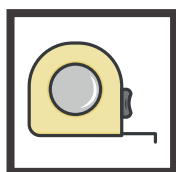
Loose Soil
A base of soil or
grass only

If you have an existing base and think it is suitable for your new shed to be sited on, it is important you check that it is level and **does not deviate by any more than 15mm** from edge to edge. If this is not the case the building will twist, causing gaps to appear in the sections and the roof, doors, and windows to misalign.

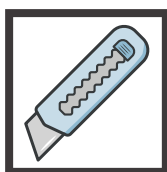
There is more information on base preparation on our website www.forestgarden.co.uk

Tools Required

We recommend using the following tools (**not supplied**):



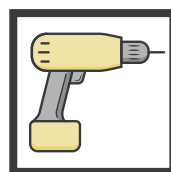
Tape Measure



Sharp Knife



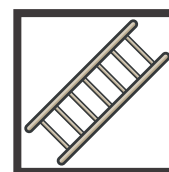
Pozidrive
Screwdriver



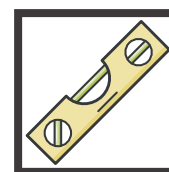
Drill & 2-16mm
Drill Bits



Hammer



Ladder



Spirit Level

We recommend getting everything aligned properly before screwing together and that the **screw holes are pre-drilled** at this stage to **avoid splitting the timber**. We do not provide pre-drilled holes due to the nature of expanding and shrinking timber, which can cause pre-drilled holes to misalign.



IMPORTANT

Assembly requires 2+ adults.



REMINDER

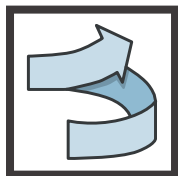
Always pre-drill before screwing.

Please keep plastic bags and small parts away from children.
Check and tighten all the fixings applied to this product on a regular basis.

Care & Attention

To help you get the most out of our products it is useful to know a little more about the properties of timber, what is normal and how your shed may behave as the seasons change. Wood is an extremely durable material for construction but as a natural product when used outdoors it is susceptible to changes in the environment.

Things That You Might See In Your Product



Movement, Twisting & Warping

Wood contains a natural level of moisture so decreasing humidity levels in the surrounding air may cause panels to change their shape as the porous fibres shrink. This can be exaggerated during prolonged periods of dry weather. Movement and gaps in timber products are normal, in most cases the wood will revert to its original form once the high temperatures subside and there is more moisture content in the air. Similarly, in the winter months, the opposite may occur with wood swelling.



Expansion, Contraction, Splits & Cracks

All timber will expand and contract according to its environment. As a result of this expansion and contraction, it is very common to see splits and cracks developing in the wood. Splits are common during the spring and summer months as the wood begins to dry out. The outer surface dries first and contracts, contracting over a still expanded core of the wood. The result of this is that splits and cracks appear along the grain of wood. These splits are not a fault and do not affect the structural integrity of a product.



Mould & Blue Stain

Mould is a surface-dwelling fungus that feeds on the nutrients and debris contained in the surface cells of timber. The most common problems associated with mould are discoloured timber and an increase in permeability of the timber. Blue stain is part of the same family but penetrates deeper into the surface layers of the timber. It stains the timber a dark blue, whereas mould is usually black. These do not cause the timber to rot. Keep the building well ventilated to avoid mould.

Advice On Felt Handling & Usage

Roofing felt is flexible at temperatures above 5°C. In cold temperatures extra care must be taken when handling and installing to prevent cracking and damage to the felt. The felt should not be rolled, folded, or used in temperatures lower than 5° C. In cold temperatures the felt should be stored above 10°C (indoors) for 24 hours prior to use. Felt must be lifted, not dragged, and should be stored on its end on a dry surface.

8 Top Tips To Ensure Your Shed Is Fully Waterproof

- 1 Position Your Shed In The Best Location In Your Garden**
Avoid areas where water pools and which are constantly wet. Position away from trees and cut back any overhanging foliage which can cause moisture to be trapped against the walls and debris to collect on the roof.
- 2 Raise Your Shed Off The Ground**
Ideally, any concrete base should be the same footprint as the shed to allow surface water to run off without pooling. A timber base can also be used. Raise your shed 50mm above ground level.
- 3 Seal The Bearers**
If using a wooden base, we recommend treating it with a treatment containing wax or oil. Also coat the bearers that meet the ground to prevent moisture rising.
- 4 Use An End Grain Protector**
To protect the corners and panel joins, an end grain protector can be applied.
- 5 Seal The Panels & Windows**
Use a flexible silicone sealant around windows to prevent water ingress. This can also be used where two sections of the shed join together. Apply internally.
- 6 Consider Adding Gutters**
Adding guttering around the fascia of the shed will redirect rainwater away from the shed's foundation.
- 7 Keep Ventilated**
Good airflow around the perimeter of the shed and regular ventilation inside the shed will help prevent mould and mildew.
- 8 Consider A Water Sealant**
You may want to consider painting your shed with a water sealant at least once a year. This will help reduce the risk of water ingress. We would recommend using 'Bostik Cementone Water Seal' of which can be purchased from multiple DIY stores.

Health & Safety

We strongly recommend that PPE (Personal Protective Equipment) is used throughout your build to ensure you are protected from any potential health and safety risks. **Do not exempt yourself from wearing PPE.**



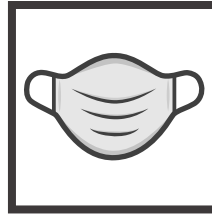
Cut-Resistant
Gloves



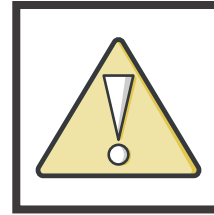
Protective Glasses



Protective Boots



Protective Mask



Working At
Height



Handle Glass
Window With Care

The roof this building is not a load bearing structure.

The components provided may be heavy. Please lift with caution and with a minimum of 2 people. Please carefully unpack your shed and loose components as they may have moved during transportation.

Treatment Information

The treatment applied to your shed is to ensure longevity and protection against fungal decay and rot. This may leave colour variations, but these will even out as the moisture content stabilises.

Pressure Treatment
Pressure treatment is to provide protection against rot
Pressure treated sheds do not need to be re-treated every year
25 year guarantee

Use the 'waterproofing top tips' to increase the longevity of your shed. See our website for more information at [www.forestgarden.co.uk /guide-to-our-products/](http://www.forestgarden.co.uk/guide-to-our-products/)

Treated timber contains biocidal products for control of wood destroying organisms.

Active Ingredients - Basic Copper Carbonate, DDA Carbonate, DDA Chloride.

- Wear gloves when handling.
- Avoid inhalation of sawdust.
- Do not use in contact with drinking water or food.
- Do not use for animal bedding or in fish ponds.
- Dispose of treated wood responsibly.

Disclaimer

Check you have all your parts prior to assembly.

Timber is a natural material of which will shrink and swell because of varying moisture content.

Assembly of damaged parts may be deemed to be acceptance, and this may affect the remedies you are entitled to.

If the product is not constructed in accordance with the instructions, or is altered in anyway (e.g. painted), the manufacturer cannot be held liable for any resulting damage.

If you are organising a third party to install your shed, it is best not to schedule this immediately on receipt of your order, to give you time to check your delivery.

General Assembly Instructions

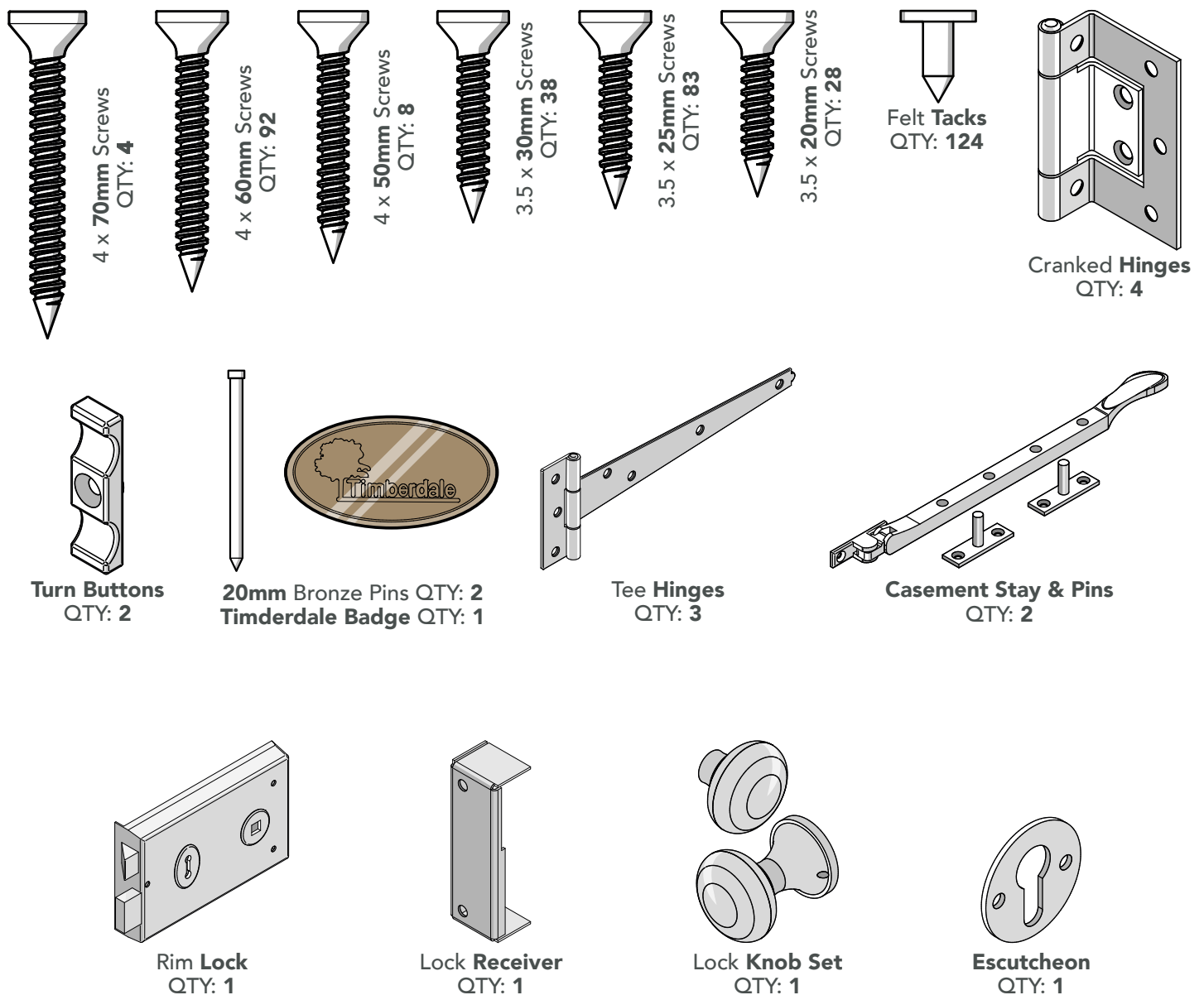
This set of assembly instructions is for our **medium apex shed range**. Visuals in each of the **steps are for reference only** and may slightly vary depending on the shed you have chosen. Any major differences will be outlined in the below steps. We have designed these assembly instructions to be as simple as possible to follow, but **if you have any issues, please contact our aftersales team**.

Parts List & Side Panel Assembly Visuals

Your parts list can be found on a separate sheet that has been packed with your chosen shed. This parts list is specific to your chosen shed. This will also include a floor plan and 3D visuals as a guide for when you are assembling your panels. **Check through your parts list prior to assembly.**

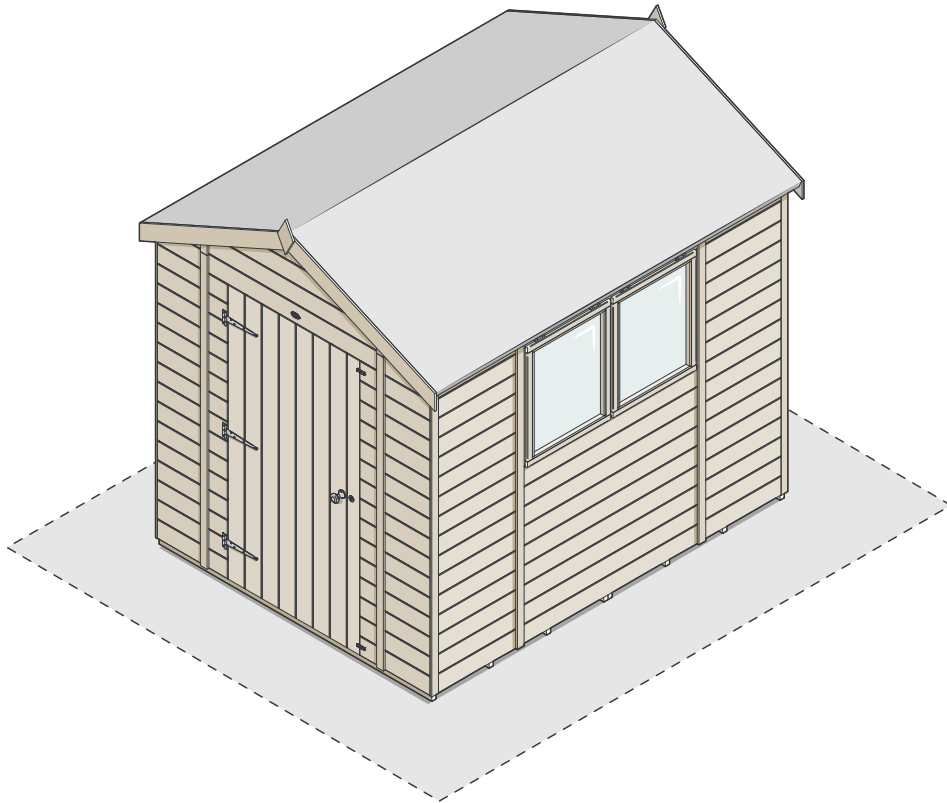
Fixing Pack Contents

FIXING PACK CODE: *TPA86MFP*



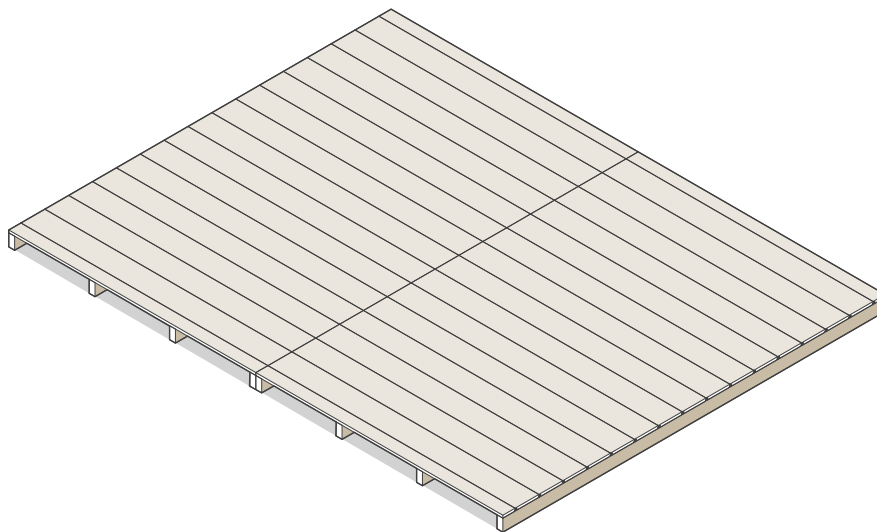
Please keep plastic bags and small parts away from children.
Check and tighten all the fixings applied to this product on a regular basis.

Step 1: Position Floor



POSITIONING YOUR SHED

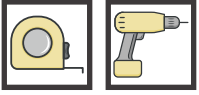
Before assembly, **your Floor Panels must be firm and level** to ensure the shed lines up and is assembled properly. We recommend that there should be **access to all sides of your shed for assembly and any maintenance.**



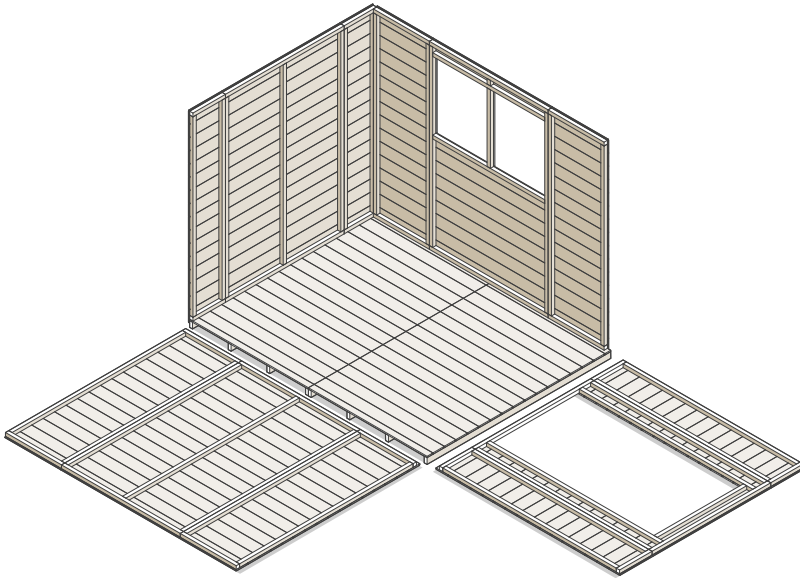
DOUBLE FLOOR

Position the Floors in your desired location. **Butt the Floor bearers together** and ensure they are flush on each side.

Step 2: Side Panel Assembly

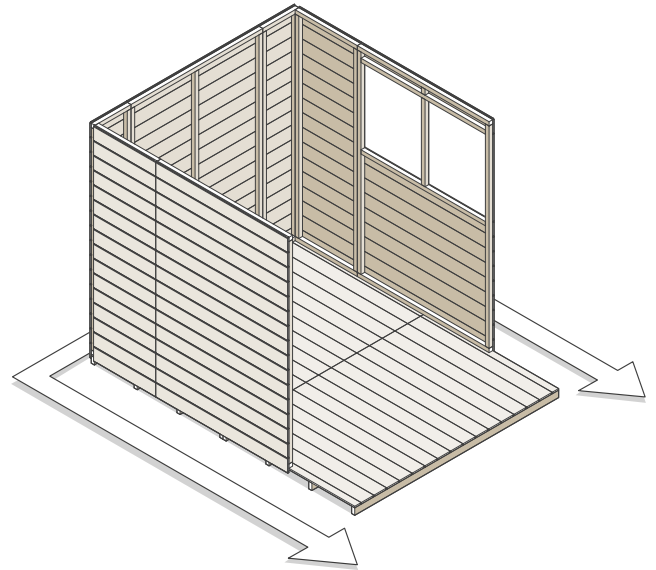


(USE YOUR PANEL CONFIGURATION SHEET FOR THIS STEP)



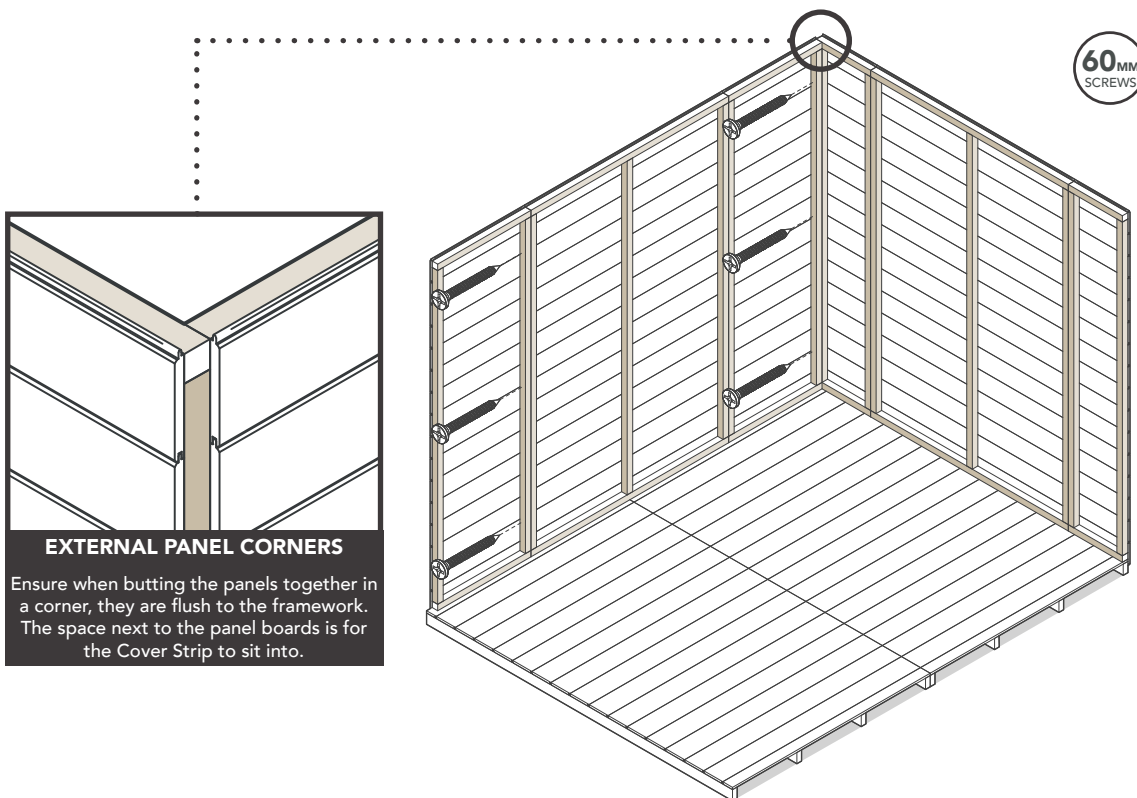
LAY OUT PANELS

Lay out the panels around your shed Floor using your panel configuration sheet.



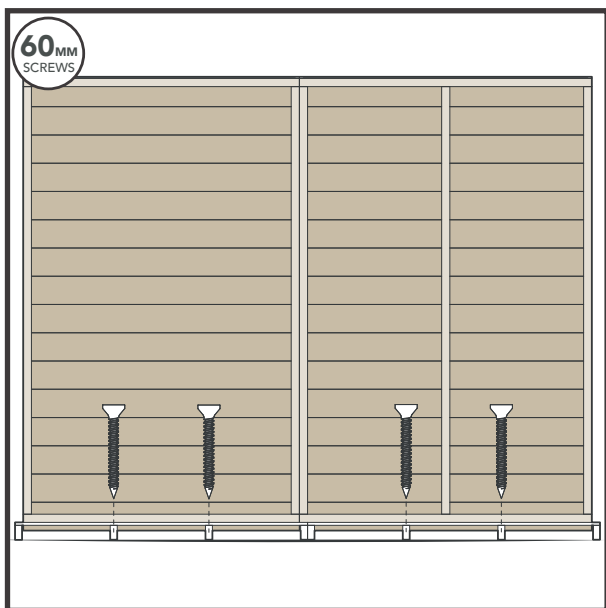
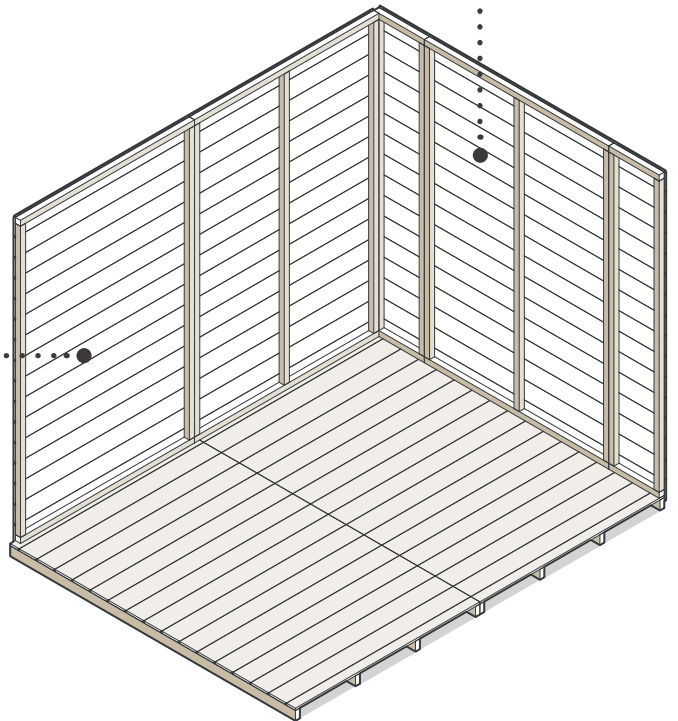
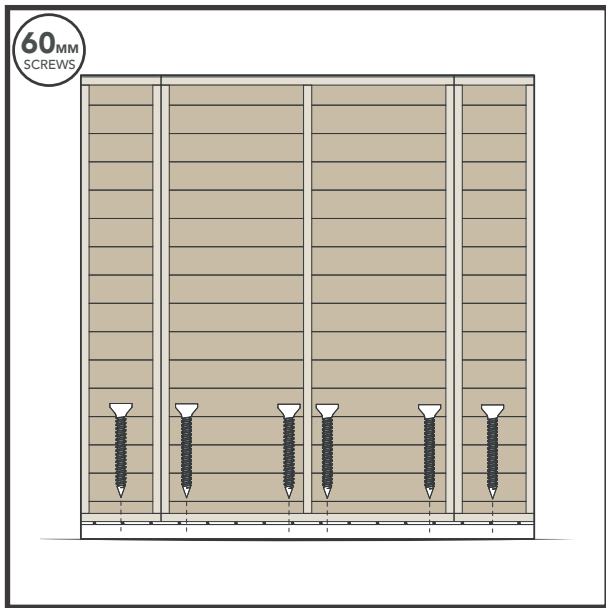
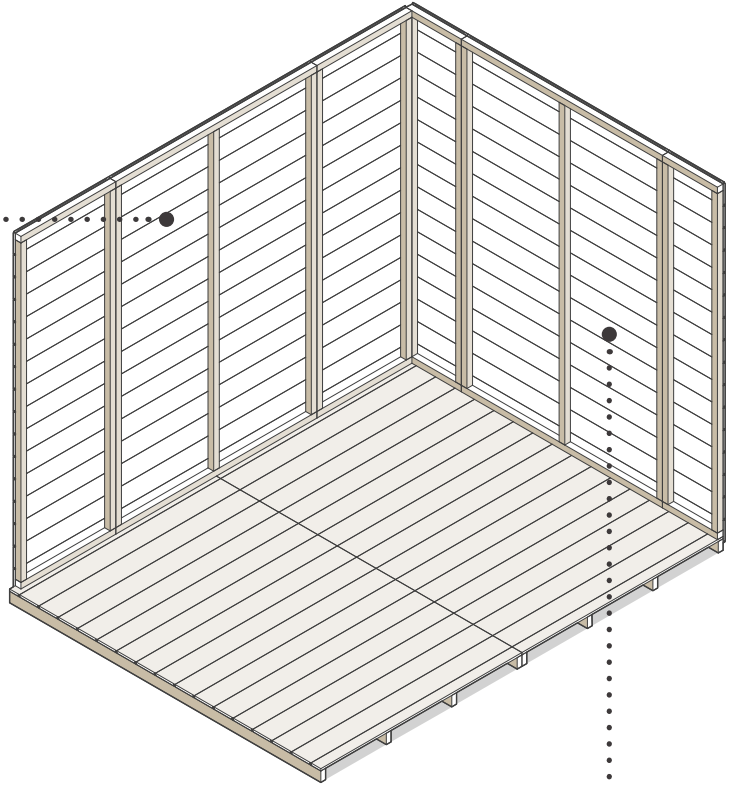
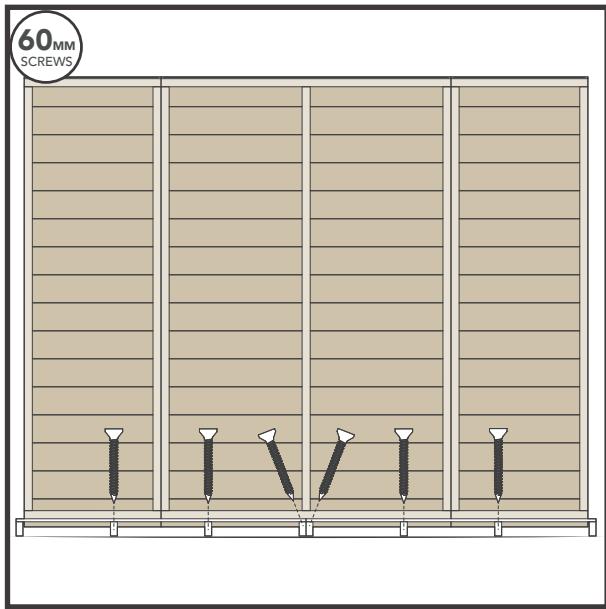
WORK FROM BACK TO FRONT

We recommend starting in a back corner and then work from the back panels to the front panels for assembly.



SECURE PANELS TOGETHER

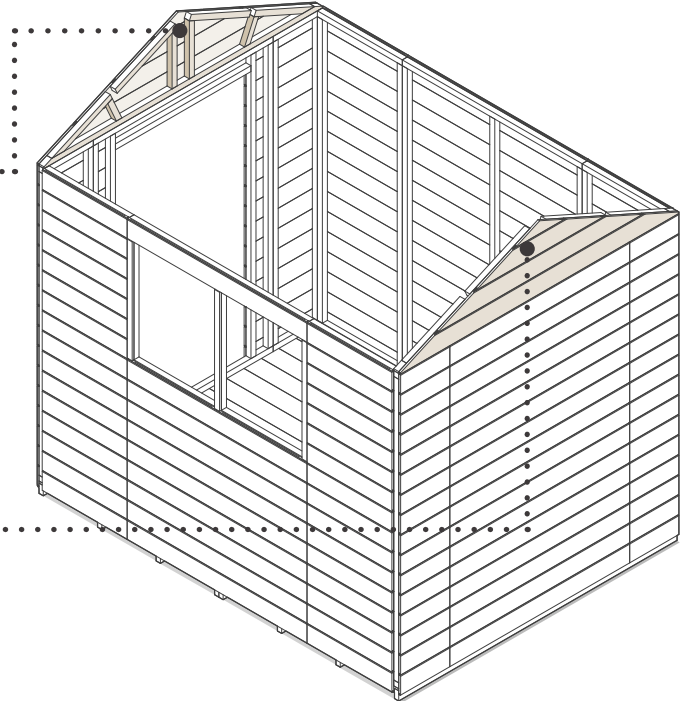
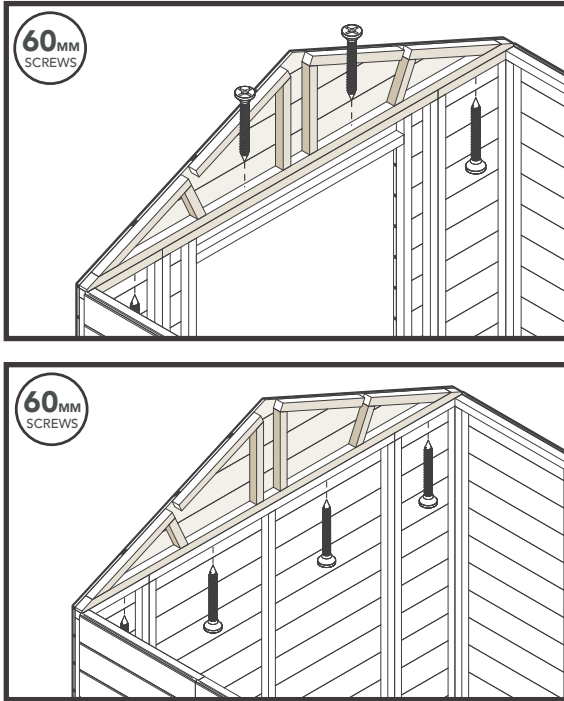
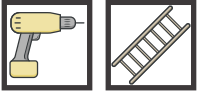
Start in a back corner. Position and secure the Side Panels together. Ensure the bottom batten on the Side Panels sit onto the Floor and the bottom board is up against the Floor edge.



SECURE TO FLOOR BEARERS BENEATH

Secure the Side Panels to the Floor by **screwing into the floor bearers beneath.**

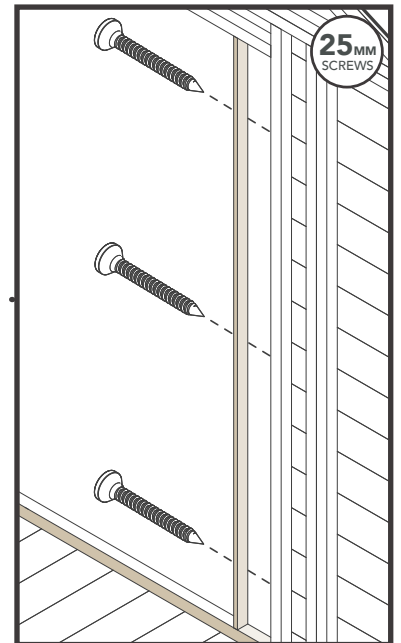
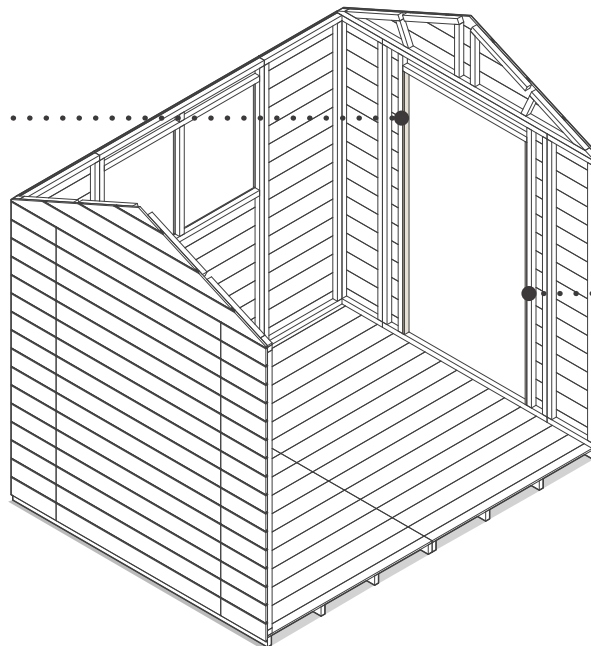
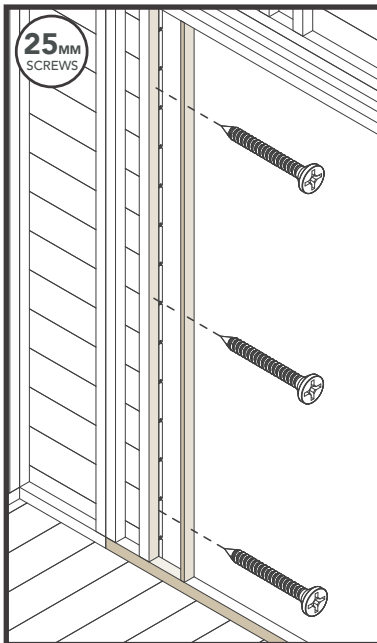
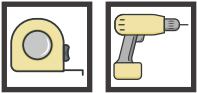
Step 3: Apex Sections



APEX SECTIONS

Position and secure the Front and Back Apex Sections to the Side Panels as shown above.

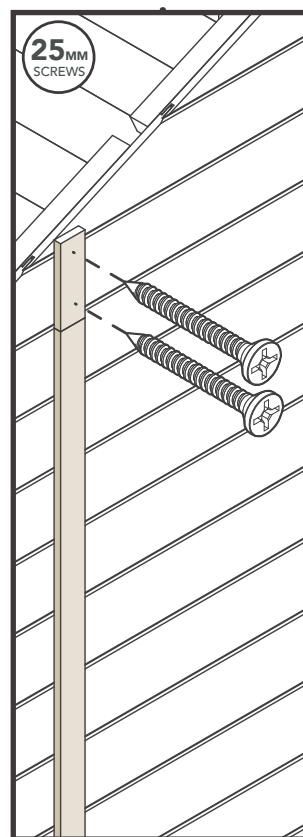
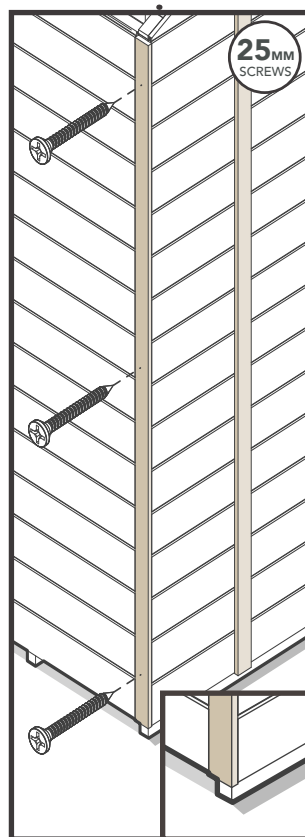
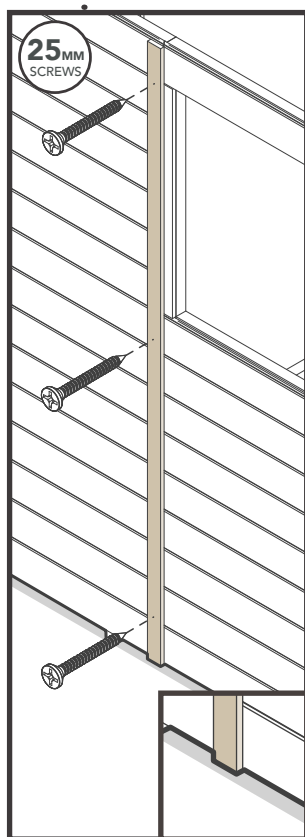
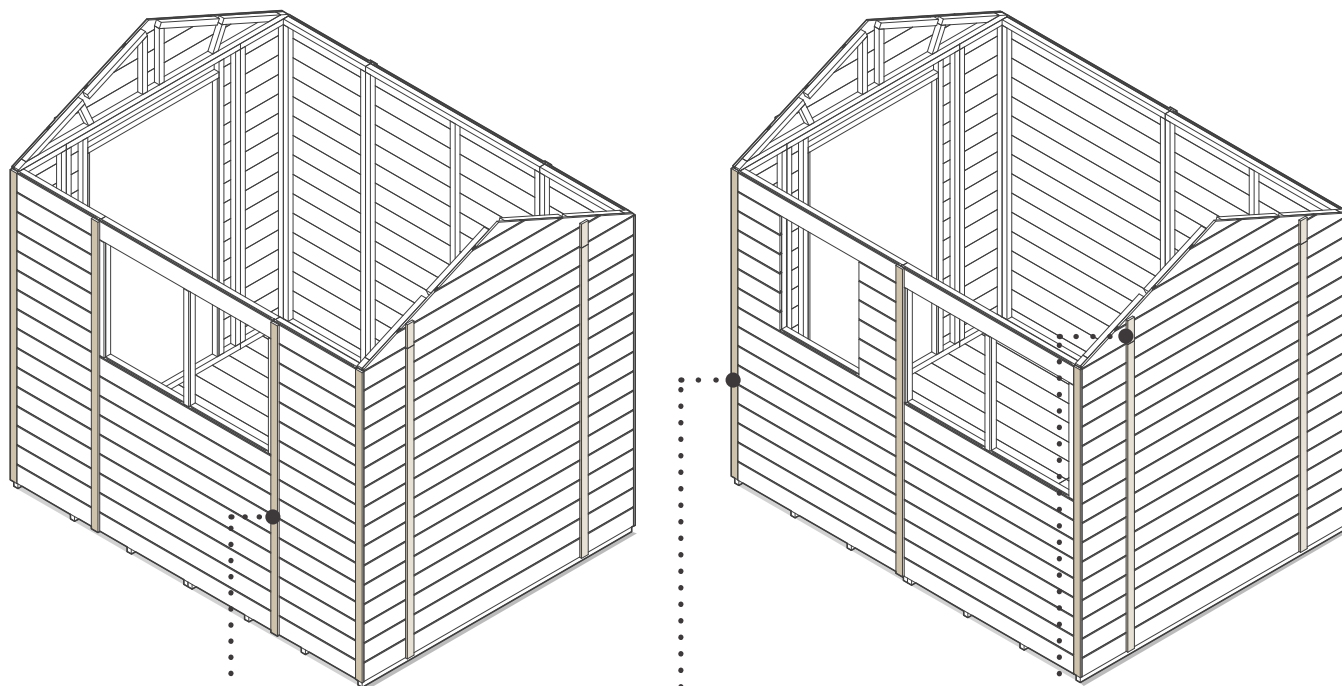
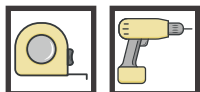
Step 4: Door Strips



DOOR STRIPS

Position and secure the Door Strips to the opening of the Door Panel framework as shown above.
Door strip size (33x12x1631mm)

Step 5: Cover Strips

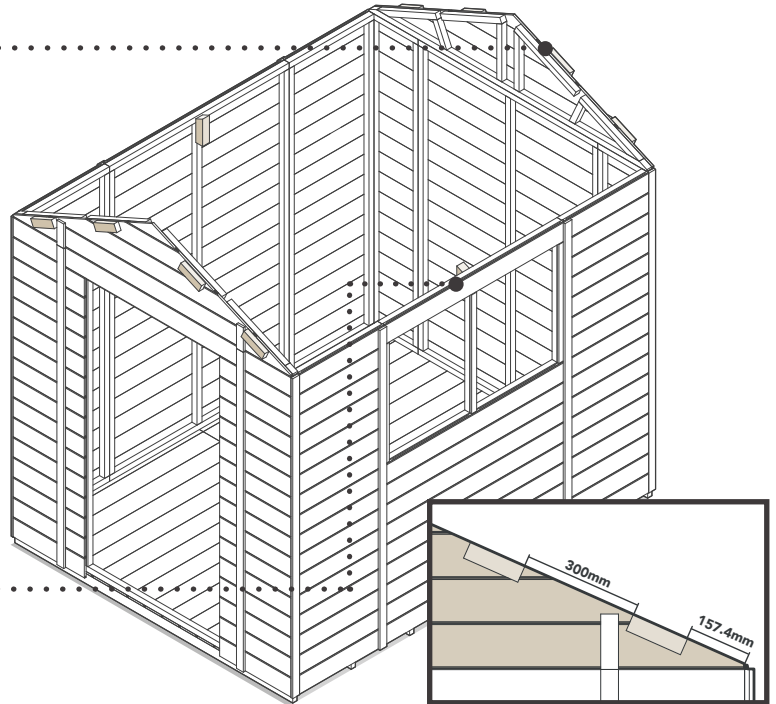
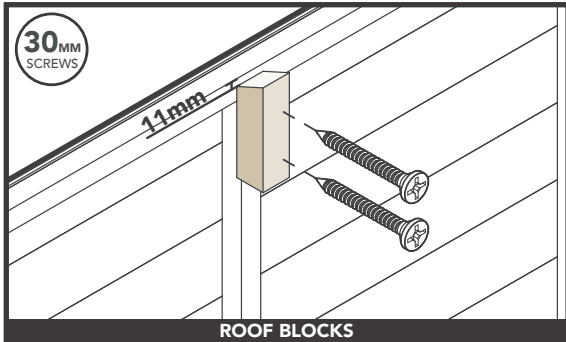
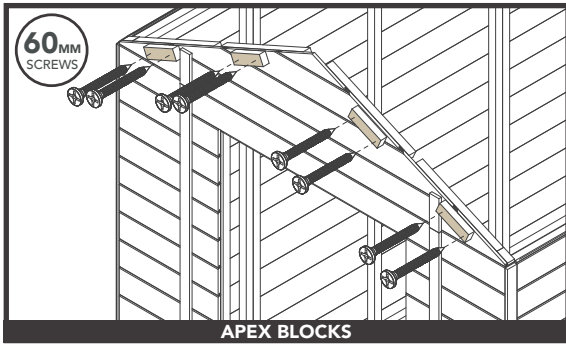


COVER STRIPS

Secure the **Cover Strips** to the corners and adjoining panels. Ensure they are flush to the bottom edge of the panels. **Attach the Apex Cover Strips** to the Apex Sections. Ensure they are flush to the Cover Strips.

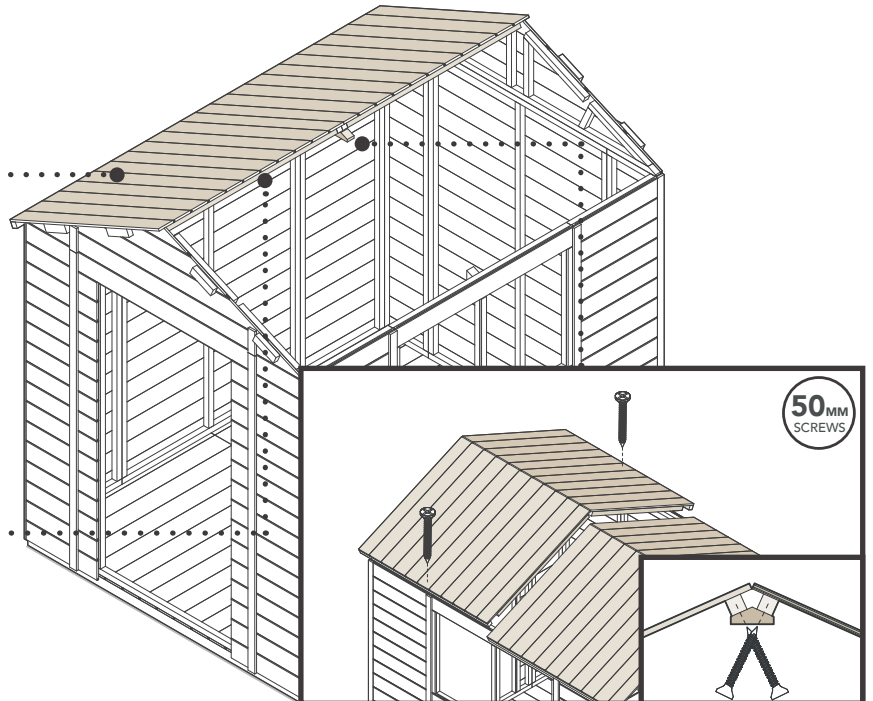
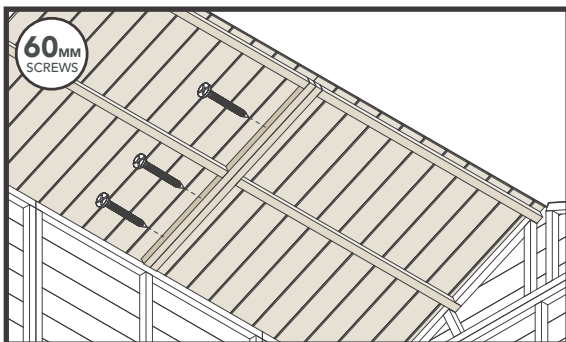
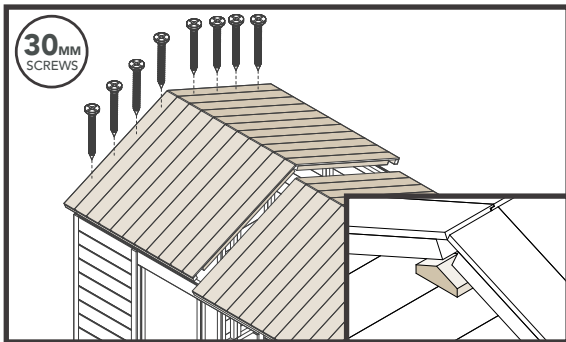
Cover strips size (45x12x1820mm), Apex cover strips size (45x12x140mm)

Step 6: Roof Assembly



APEX BLOCKS/ROOF BLOCKS

Position and secure the Apex Blocks flush to the front and back of the Apex Sections. Position and secure a Roof Block to the centre of each side of your shed. These will support your Roof Panels. Use the measurements provided as a guide.



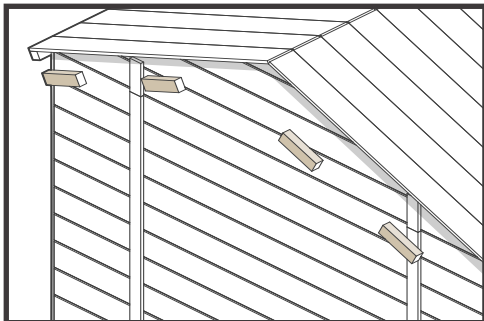
ROOF PANELS

Position and secure the Roof Panels to the Apex Sections and Side Panels framework only. Ensure you work from the back to the front. Secure the Roof Panels together through the framework.

TRUSS BLOCK

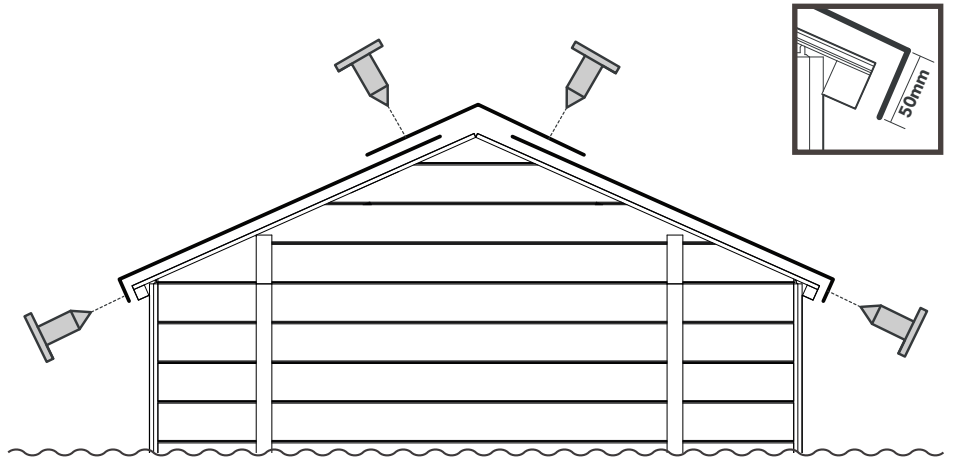
Position and secure the Truss Block, centrally to all of the Roof Panels with 1 x 50mm screw per Roof Panel.

Step 7: Felt



UNSCREW APEX BATTENS BEFORE FELTING

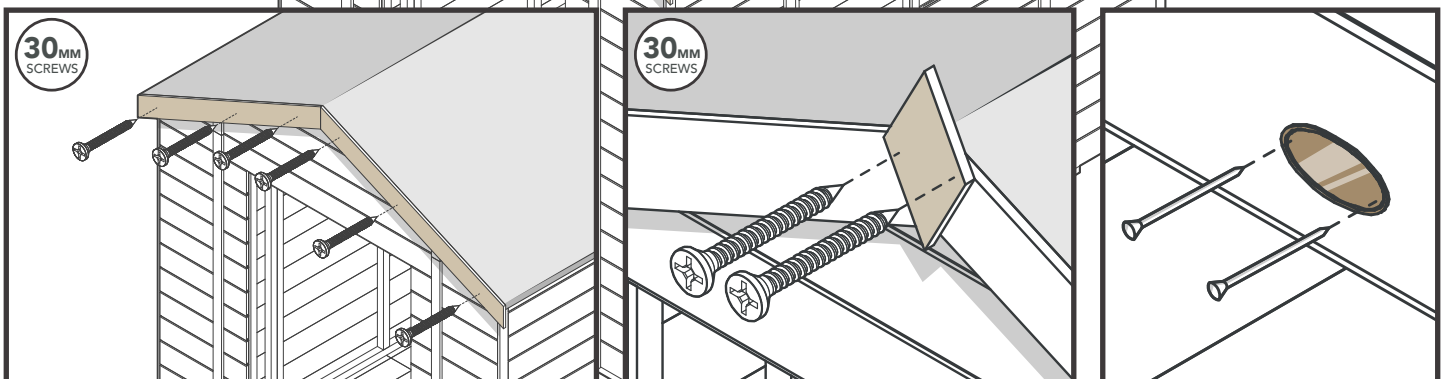
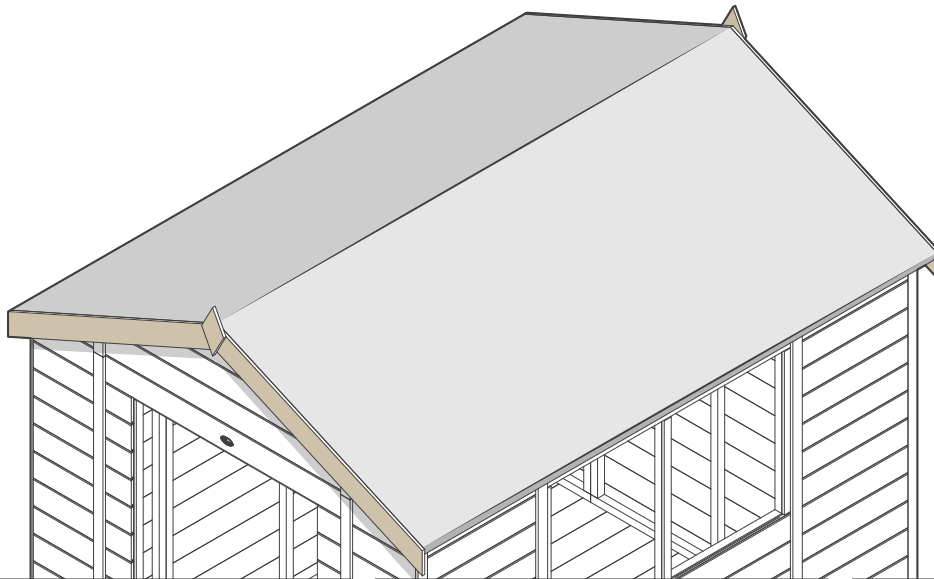
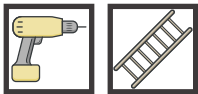
Use the Apex Blocks to pin the felt in place when tacking. Re-attach the Apex Blocks to the front and back Apex Sections, underneath the Roof Panels, once the felt is in place.



3 x FELT PIECES

Measure out 3 equal lengths, cut with a sharp knife, overlap them on top, around the edges and fold the corners; tack to keep secure. Ensure there is a 50mm overhang at the bottom and work from the bottom to the top. Hammer the tacks into the felt at 150mm intervals.

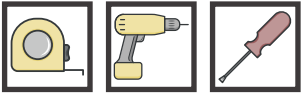
Step 8: Fascia's & Finials



FASCIA'S & FINIALS

Position and secure the Fascia's and Finials as shown above. Ensure to screw the Fascia's into the Apex Blocks and Roof Panels end battens. Do not forget to pin your Timberdale badge to the Door Panels framework.

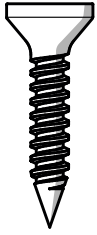
Step 9: Window Fixings



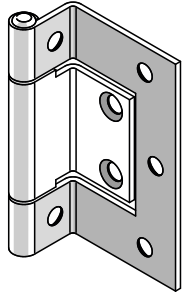
We have supplied **extra window fixing packs** for the sheds with **more than 2 x Windows**. Each fixing pack is for 1 x Window.

In the event that you are missing any fixings for your window assembly, please use the **fixing pack code below**.

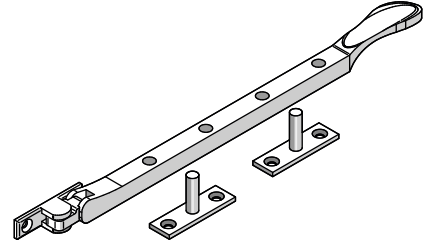
WINDOW FIXING PACK CODE: TPASWINFP



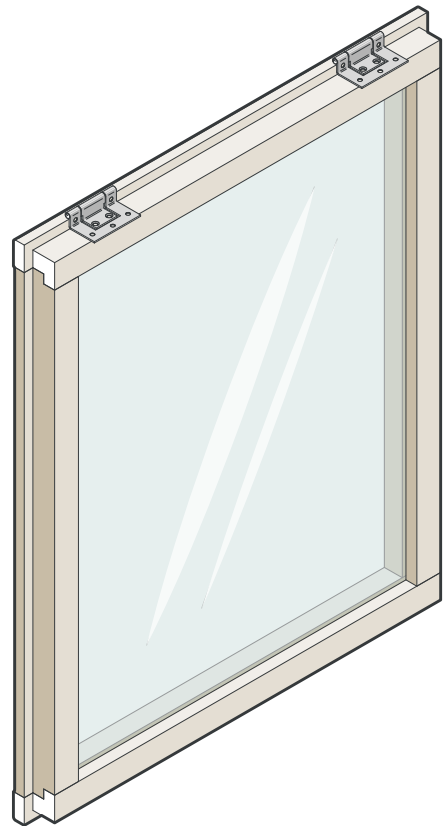
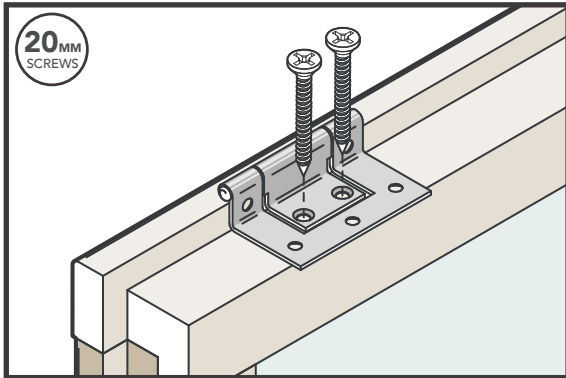
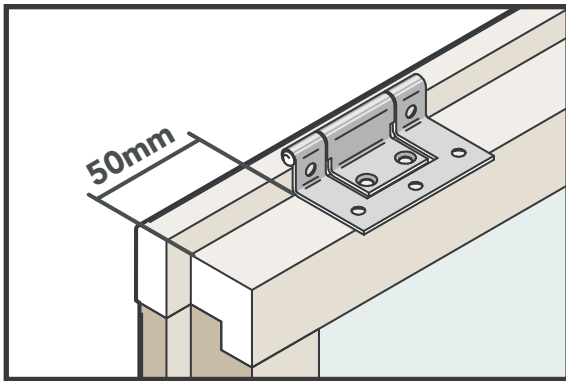
3.5 x 20mm Screws
QTY: 14



Cranked Hinges
QTY: 2

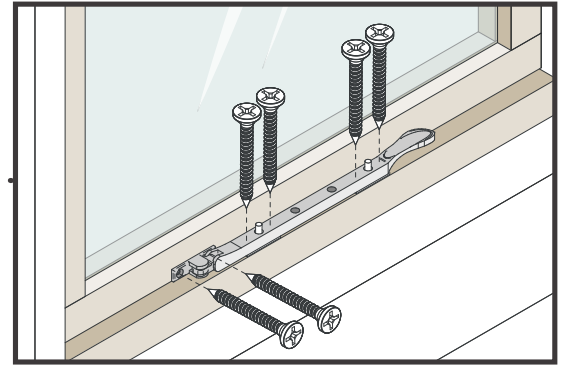
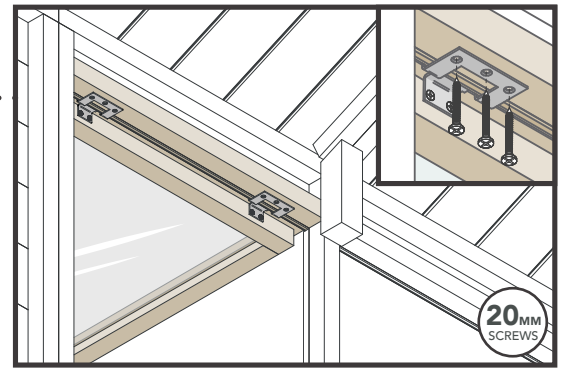
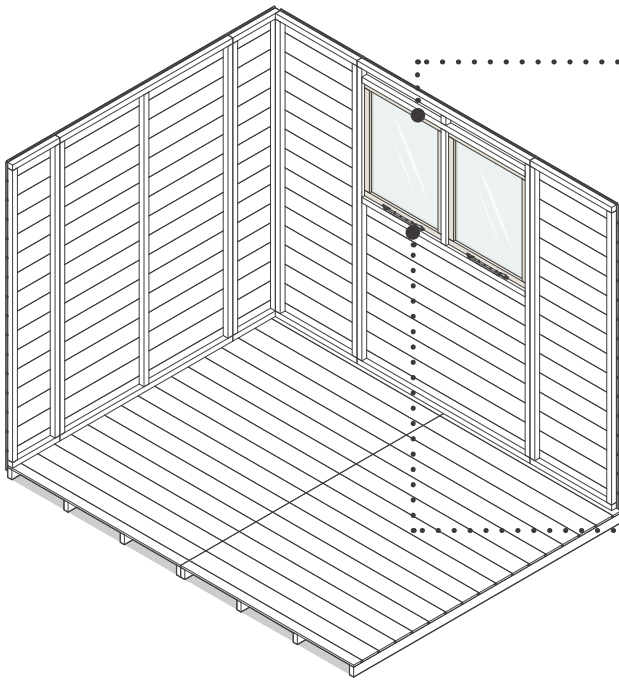


Casement Stay & Pins
QTY: 1



WINDOW HINGES

Position and secure the Cranked Hinges to the Window. Use the measurement provided as a positioning guide. Repeat the process for your other Window(s).



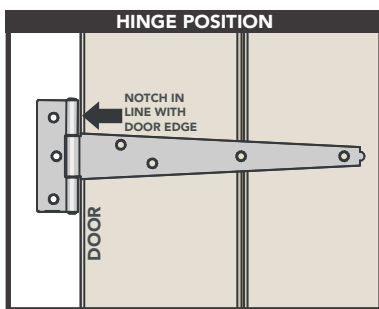
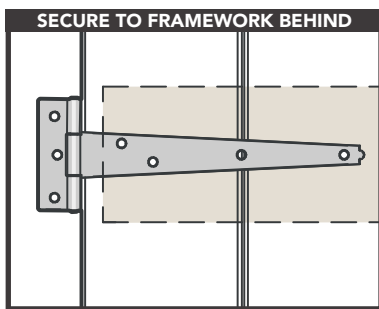
WINDOW ASSEMBLY

Secure the Window to the Window Panel framework.
Ensure the pin on the hinges hook onto the T&G board on the front of the Window Panel and that the Window can open easily before securing in place.

CASEMENT STAY

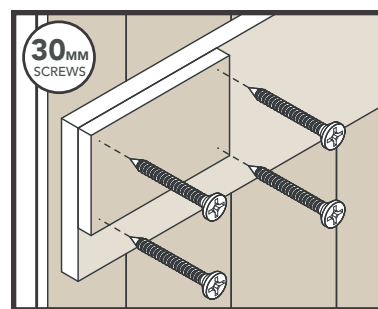
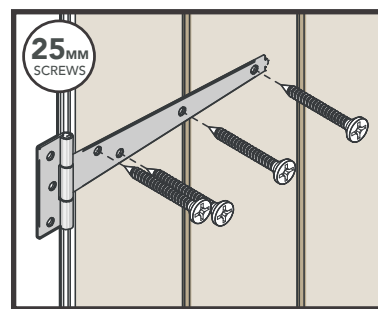
Secure the Casement Stay & Pins to the Window and interior sill. Secure the Casement Stay with its supplied screws and use it to position the pins underneath. Mark out first to ensure they align.

Step 10: Door Fixings



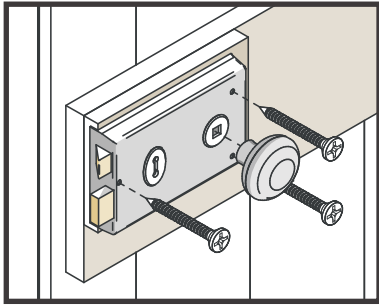
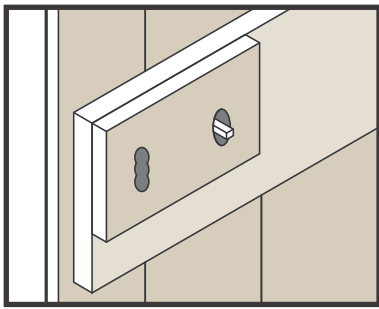
DOOR HINGES

Position and secure the hinges to the framework behind on the Door. **Please take note of the hinge position.** Ensure the outer face of the notch on the hinge is in line with the Door edge.



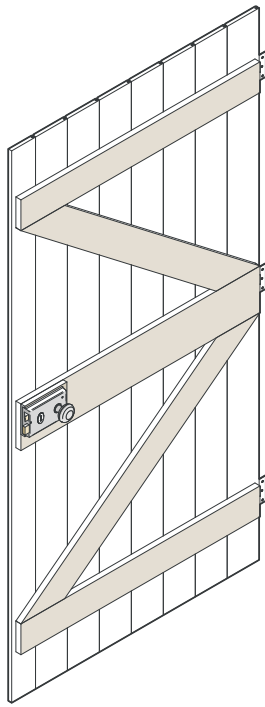
LOCK BLOCK

Position and secure the Lock Block flush to the corner of the framework, on the back of the Door as shown above. Lock block size (94x14x150mm)



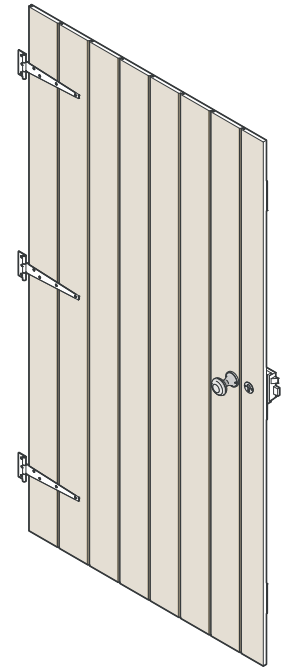
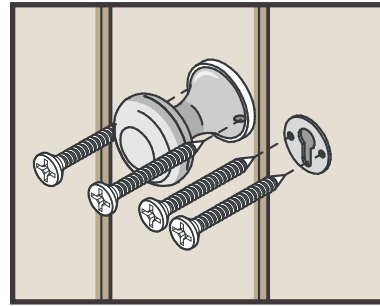
PREPARATION

Use a 16mm drill bit for the Door Handle hole. Use the Escutcheon as a guide with 5-8mm drill bits and drill 3 x holes to provide the hole for the key.



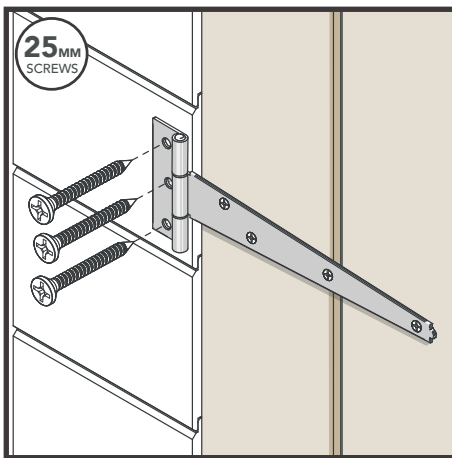
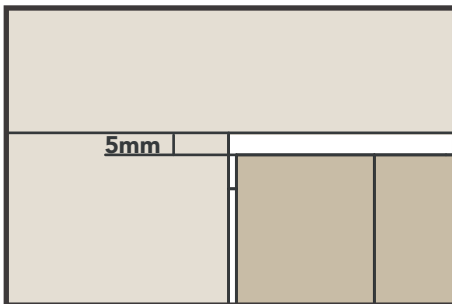
RIM LOCK

Secure the Rim Lock to the Lock Block with its supplied fixings. Ensure to hook the Rim Lock over the edge of the Lock Block. Thread the spindle through to attach the Handle.



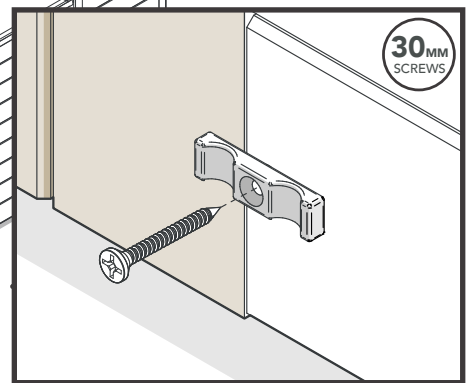
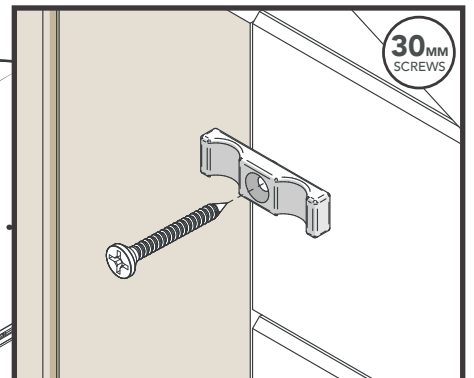
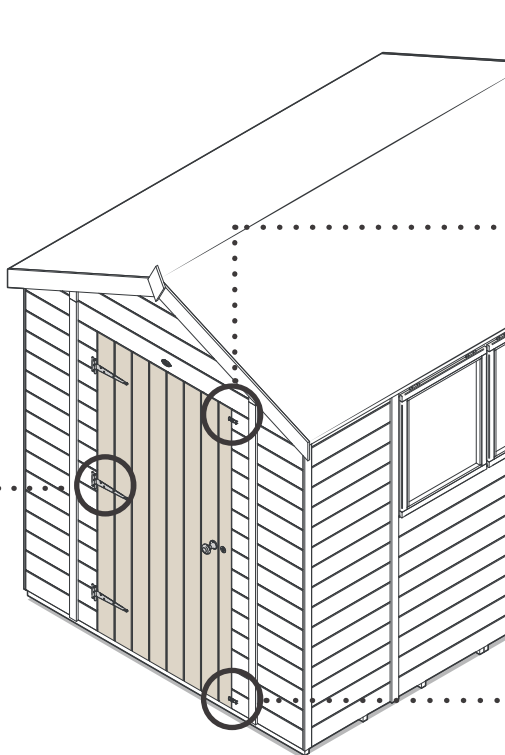
FRONT DOOR FIXINGS

Position and secure the Door Handle and Escutcheon to the external face of the Door using their supplied fixings. Ensure they cover the pre-drilled holes.



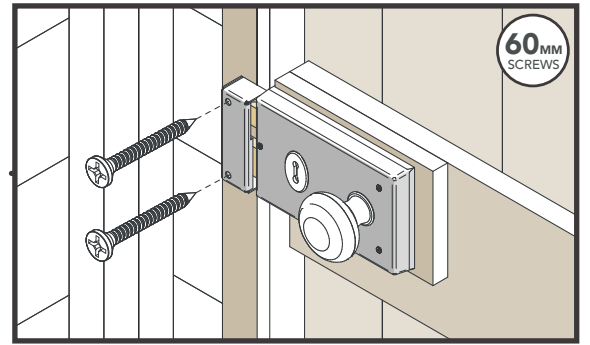
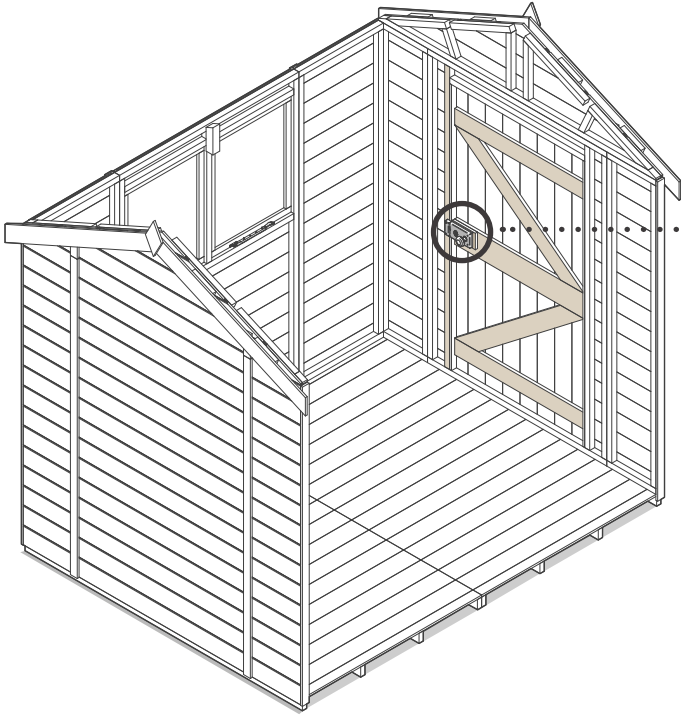
DOOR INSTALLATION

Position the Door into the opening, ensuring it's level. Make sure the hinges are up against the T&G boards with a 5mm gap at the top of the Door. Once positioned, secure all hinges to the Door Panel into the framework behind.



TURN BUTTONS

Position and secure a Turn Button to the top and bottom of the Door Panel as shown above.



RIM LOCK RECEIVER

Position and secure the Rim Lock Receiver to the framework, using the Rim Lock as a guide. Test the key to ensure the lock works accordingly.



Forest Garden Ltd,
Unit 288 Oak Drive,
Hartlebury Trading Estate,
Hartlebury,
Worcestershire,
DY10 4JB

t: 0333 321 3142
w: forestgarden.co.uk
e: info@forestgarden.co.uk

EU Authorised Representative:
Authorised Representative Service,
77 Camden Street Lower Dublin,
D02 XE80, Ireland