

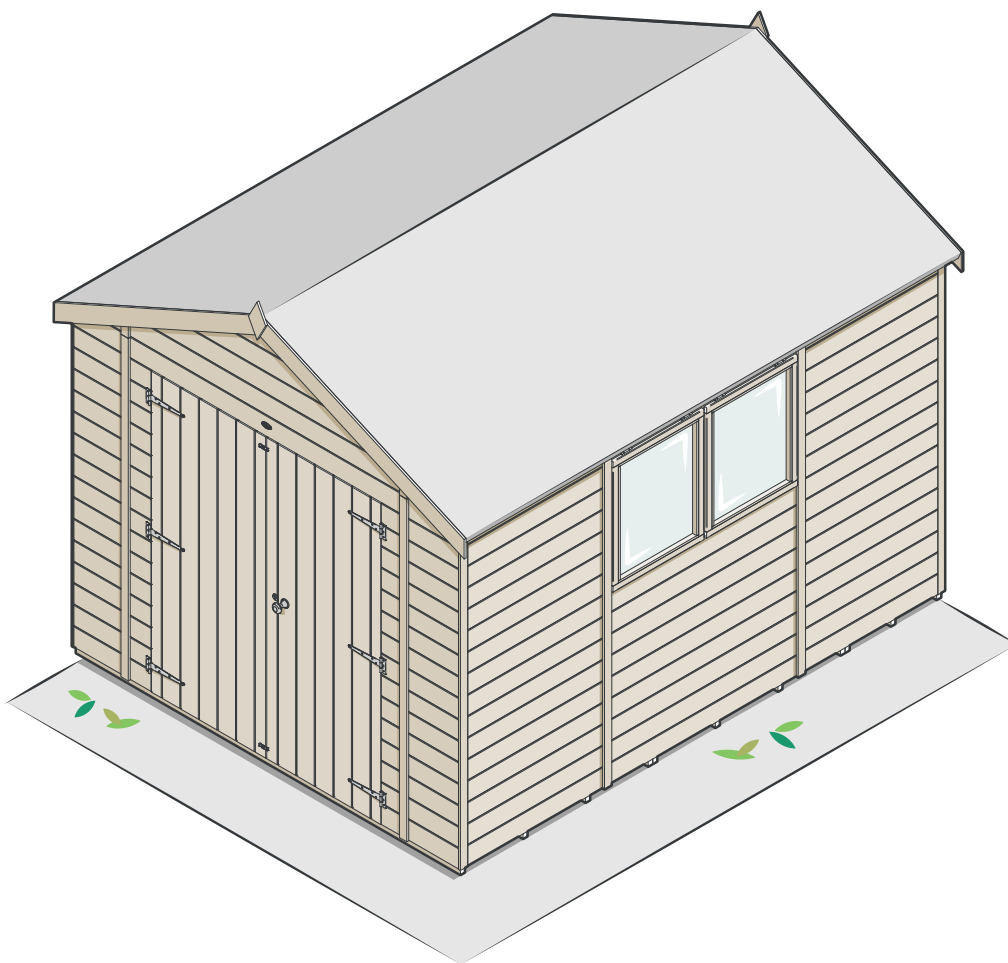


**Timberdale**  
by **forest**

# SHED INSTRUCTIONS

## WORKSHOPS DOUBLE DOOR (8x10, 8x12)

*Thank you for purchasing your TSG Timberdale shed from Forest Garden.  
No matter what size garden, a shed is the most practical of garden structures.*



**Missing something or need more information?**  
Call our aftersales team on  
0333 321 3142

**Visit our website for spare instructions and  
more information**  
[www.forestgarden.co.uk](http://www.forestgarden.co.uk)

## Before You Start..

Please read through these instructions to familiarise yourself with your shed. We recommend that you **check all the components and fixings**. Your **fixings** can be found on **page 5** and your parts list can be found packed separately within your shed.

All our sheds are constructed in the same way, they simply come with different components depending on the type of shed you have. We have sent you a **generic fixing pack** to suit the shed range.

## Base Preparation

It is vital that you build your new shed on a **solid, level base**. Timber or Plastic Shed Bases are ideal, as is solid concrete or concrete slabs.

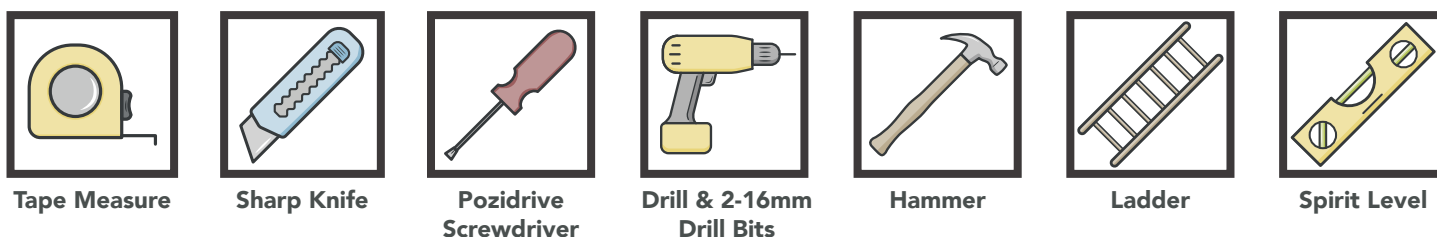


If you have an existing base and think it is suitable for your new shed to be sited on, it is important you check that it is level and **does not deviate by any more than 15mm** from edge to edge. If this is not the case the building will twist, causing gaps to appear in the sections and the roof, doors, and windows to misalign.

There is more information on base preparation on our website [www.forestgarden.co.uk](http://www.forestgarden.co.uk)

## Tools Required

We recommend using the following tools (**not supplied**):



We recommend getting everything aligned properly before screwing together and that the **screw holes are pre-drilled** at this stage to **avoid splitting the timber**. We do not provide pre-drilled holes due to the nature of expanding and shrinking timber, which can cause pre-drilled holes to misalign.



### IMPORTANT

Assembly requires 2+ adults.



### REMINDER

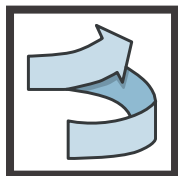
Always pre-drill before screwing.

Please keep plastic bags and small parts away from children.  
Check and tighten all the fixings applied to this product on a regular basis.

# Care & Attention

To help you get the most out of our products it is useful to know a little more about the properties of timber, what is normal and how your shed may behave as the seasons change. Wood is an extremely durable material for construction but as a natural product when used outdoors it is susceptible to changes in the environment.

## Things That You Might See In Your Product



### Movement, Twisting & Warping

Wood contains a natural level of moisture so decreasing humidity levels in the surrounding air may cause panels to change their shape as the porous fibres shrink. This can be exaggerated during prolonged periods of dry weather. Movement and gaps in timber products are normal, in most cases the wood will revert to its original form once the high temperatures subside and there is more moisture content in the air. Similarly, in the winter months, the opposite may occur with wood swelling.



### Expansion, Contraction, Splits & Cracks

All timber will expand and contract according to its environment. As a result of this expansion and contraction, it is very common to see splits and cracks developing in the wood. Splits are common during the spring and summer months as the wood begins to dry out. The outer surface dries first and contracts, contracting over a still expanded core of the wood. The result of this is that splits and cracks appear along the grain of wood. These splits are not a fault and do not affect the structural integrity of a product.



### Mould & Blue Stain

Mould is a surface-dwelling fungus that feeds on the nutrients and debris contained in the surface cells of timber. The most common problems associated with mould are discoloured timber and an increase in permeability of the timber. Blue stain is part of the same family but penetrates deeper into the surface layers of the timber. It stains the timber a dark blue, whereas mould is usually black. These do not cause the timber to rot. Keep the building well ventilated to avoid mould.

## Advice On Felt Handling & Usage

Roofing felt is flexible at temperatures above 5°C. In cold temperatures extra care must be taken when handling and installing to prevent cracking and damage to the felt. The felt should not be rolled, folded, or used in temperatures lower than 5° C. In cold temperatures the felt should be stored above 10°C (indoors) for 24 hours prior to use. Felt must be lifted, not dragged, and should be stored on its end on a dry surface.

## 8 Top Tips To Ensure Your Shed Is Fully Waterproof

- 1 Position Your Shed In The Best Location In Your Garden**  
Avoid areas where water pools and which are constantly wet. Position away from trees and cut back any overhanging foliage which can cause moisture to be trapped against the walls and debris to collect on the roof.
- 2 Raise Your Shed Off The Ground**  
Ideally, any concrete base should be the same footprint as the shed to allow surface water to run off without pooling. A timber base can also be used. Raise your shed 50mm above ground level.
- 3 Seal The Bearers**  
If using a wooden base, we recommend treating it with a treatment containing wax or oil. Also coat the bearers that meet the ground to prevent moisture rising.
- 4 Use An End Grain Protector**  
To protect the corners and panel joins, an end grain protector can be applied.
- 5 Seal The Panels & Windows**  
Use a flexible silicone sealant around windows to prevent water ingress. This can also be used where two sections of the shed join together. Apply internally.
- 6 Consider Adding Gutters**  
Adding guttering around the fascia of the shed will redirect rainwater away from the shed's foundation.
- 7 Keep Ventilated**  
Good airflow around the perimeter of the shed and regular ventilation inside the shed will help prevent mould and mildew.
- 8 Consider A Water Sealant**  
You may want to consider painting your shed with a water sealant at least once a year. This will help reduce the risk of water ingress. We would recommend using 'Bostik Cementone Water Seal' of which can be purchased from multiple DIY stores.

# Health & Safety

We strongly recommend that PPE (Personal Protective Equipment) is used throughout your build to ensure you are protected from any potential health and safety risks. **Do not exempt yourself from wearing PPE.**



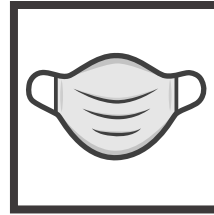
**Cut-Resistant  
Gloves**



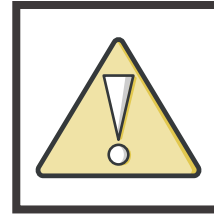
**Protective Glasses**



**Protective Boots**



**Protective Mask**



**Working At  
Height**



**Handle Glass  
Window With Care**

**The roof this building is not a load bearing structure.**

The components provided may be heavy. Please lift with caution and with a minimum of 2 people. Please carefully unpack your shed and loose components as they may have moved during transportation.

# Treatment Information

The treatment applied to your shed is to ensure longevity and protection against fungal decay and rot. This may leave colour variations, but these will even out as the moisture content stabilises.

<b>Pressure Treatment</b>
Pressure treatment is to provide protection against rot
Pressure treated sheds do not need to be re-treated every year
25 year guarantee

Use the 'waterproofing top tips' to increase the longevity of your shed. See our website for more information at [www.forestgarden.co.uk /guide-to-our-products/](http://www.forestgarden.co.uk/guide-to-our-products/)

**Treated timber contains biocidal products for control of wood destroying organisms.**

**Active Ingredients** - Basic Copper Carbonate, DDA Carbonate, DDA Chloride.

- Wear gloves when handling.
- Avoid inhalation of sawdust.
- Do not use in contact with drinking water or food.
- Do not use for animal bedding or in fish ponds.
- Dispose of treated wood responsibly.

# Disclaimer

**Check you have all your parts prior to assembly.**

Timber is a natural material of which will shrink and swell because of varying moisture content.

Assembly of damaged parts may be deemed to be acceptance, and this may affect the remedies you are entitled to.

If the product is not constructed in accordance with the instructions, or is altered in anyway (e.g. painted), the manufacturer cannot be held liable for any resulting damage.

If you are organising a third party to install your shed, it is best not to schedule this immediately on receipt of your order, to give you time to check your delivery.



# General Assembly Instructions

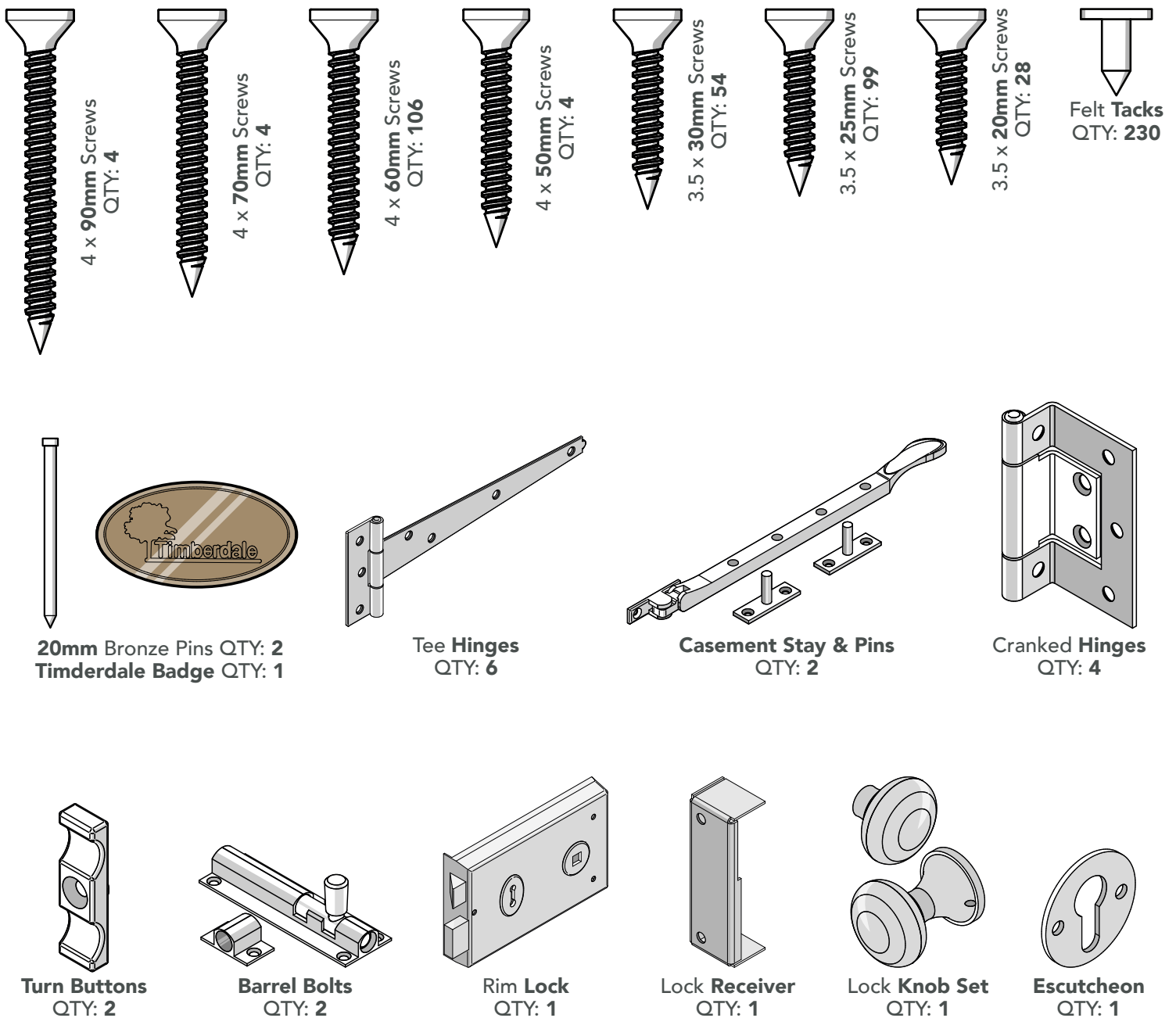
This set of assembly instructions is for our **apex and reverse apex workshop range with double doors**. Visuals in each of the **steps are for reference only** and may slightly vary depending on the workshop you have chosen. Any major differences will be outlined in the below steps. We have designed these assembly instructions to be as simple as possible to follow, but **if you have any issues, please contact our aftersales team**.

## Parts List & Side Panel Assembly Visuals

Your parts list can be found on a separate sheet that has been packed with your chosen shed. This parts list is specific to your chosen shed. This will also include a floor plan and 3D visuals as a guide for when you are assembling your panels. **Check through your parts list prior to assembly.**

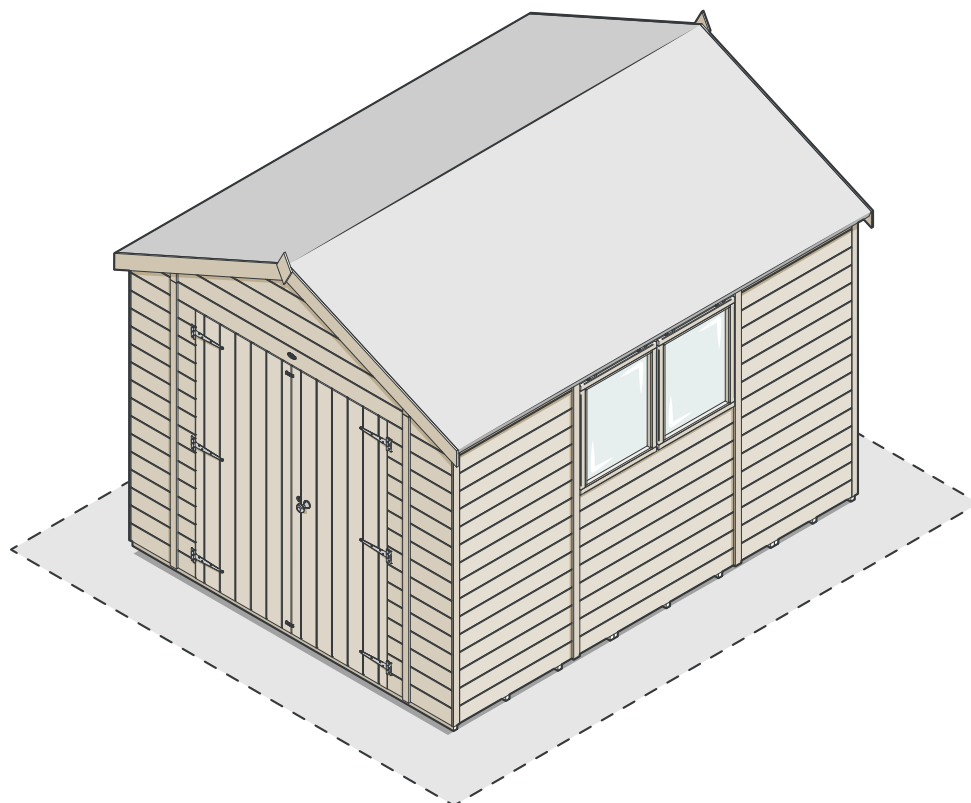
## Fixing Pack Contents

FIXING PACK CODE: *TPA812DDMFP*



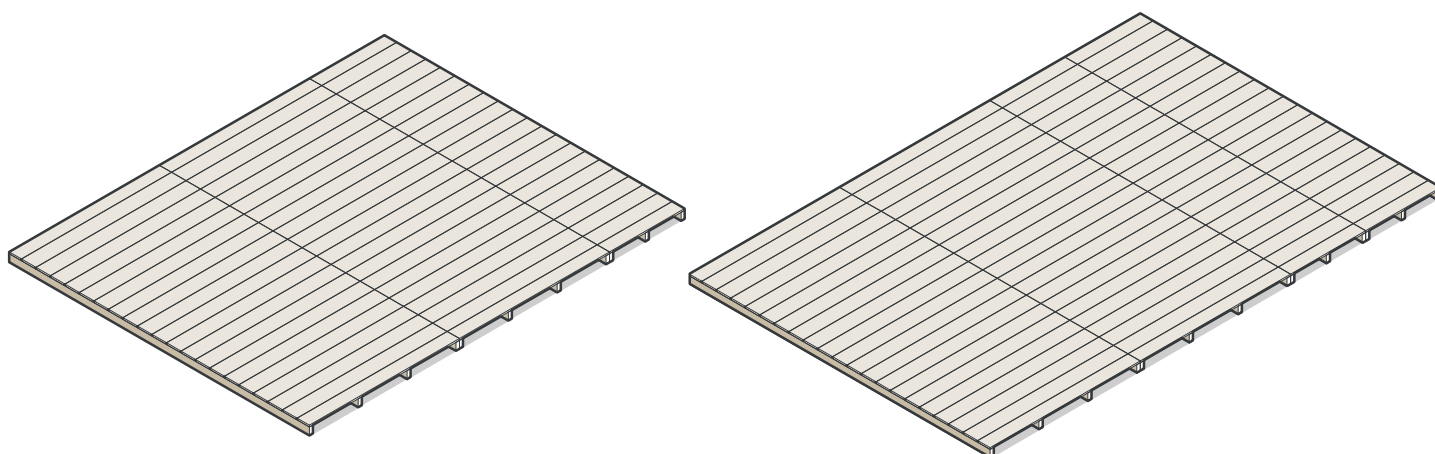
**Please keep plastic bags and small parts away from children.  
Check and tighten all the fixings applied to this product on a regular basis.**

# Step 1: Position Floors



## POSITIONING YOUR SHED

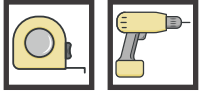
Before assembly, **your Floor must be firm and level** to ensure the shed lines up and is assembled properly. We recommend that there should be **access to all sides of your shed for assembly and any maintenance.**



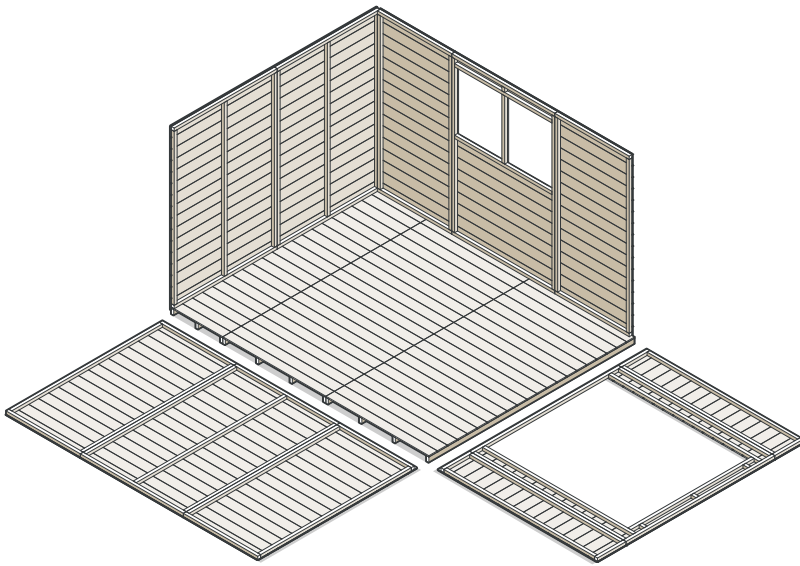
## MULTIPLE FLOORS

**Position the Floors** in your desired location. **Butt the Floor bearers together** and ensure they are flush on each side.

## Step 2: Side Panel Assembly

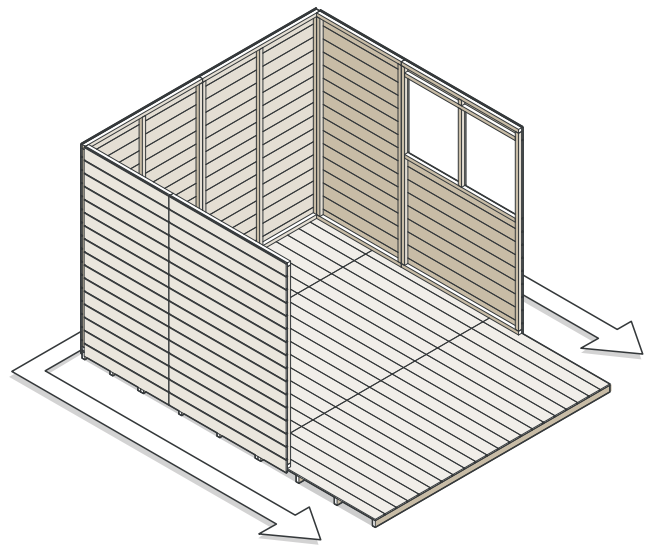


(USE YOUR PANEL CONFIGURATION SHEET FOR THIS STEP)



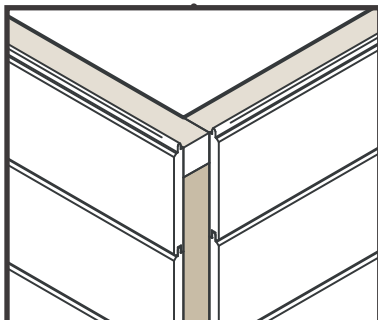
### LAY OUT PANELS

Lay out the panels around your shed Floor using your panel configuration sheet.



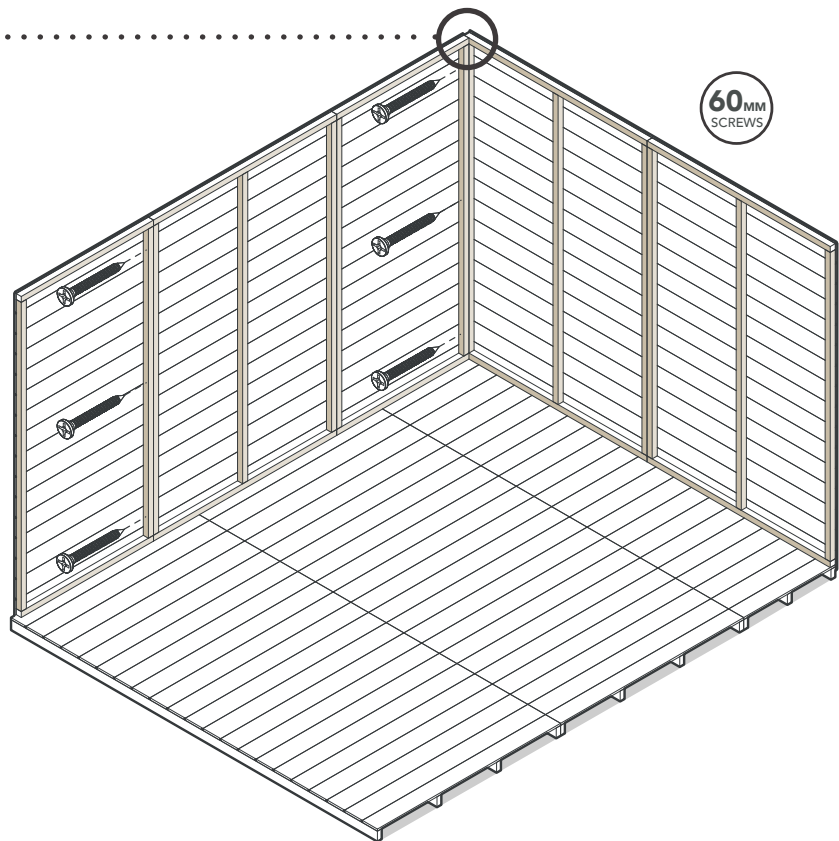
### WORK FROM BACK TO FRONT

We recommend starting in a back corner and then work from the back panels to the front panels for assembly.



#### EXTERNAL PANEL CORNERS

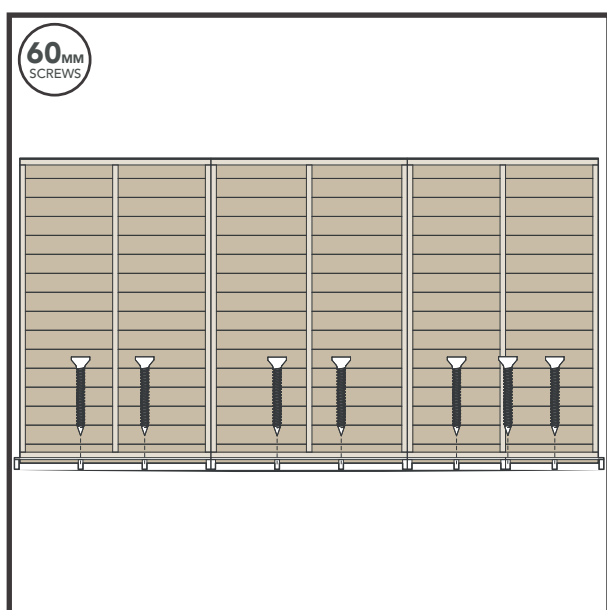
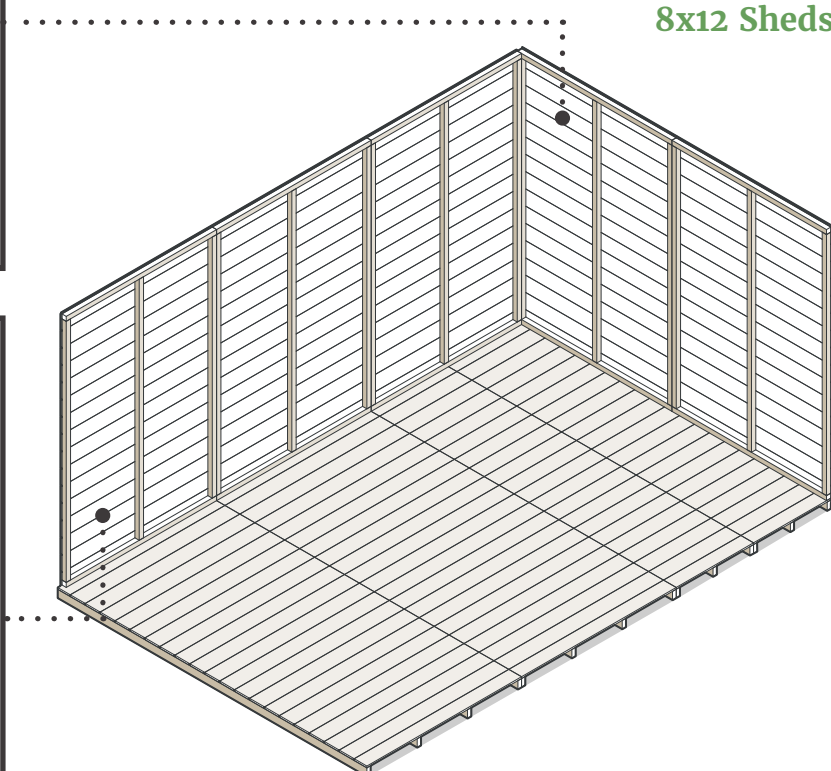
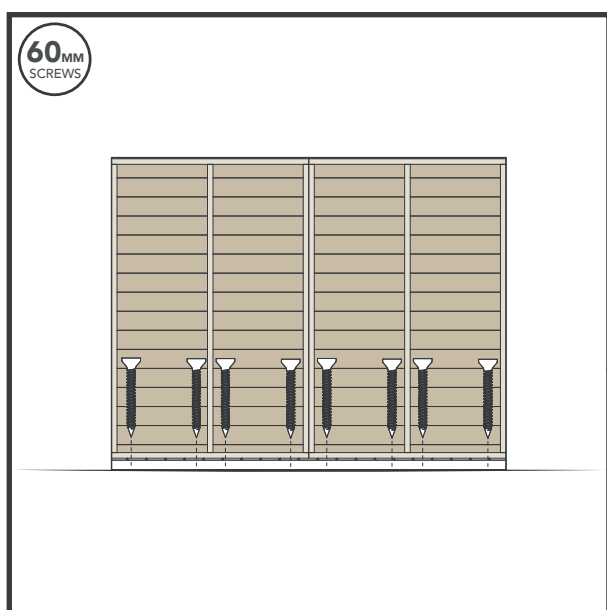
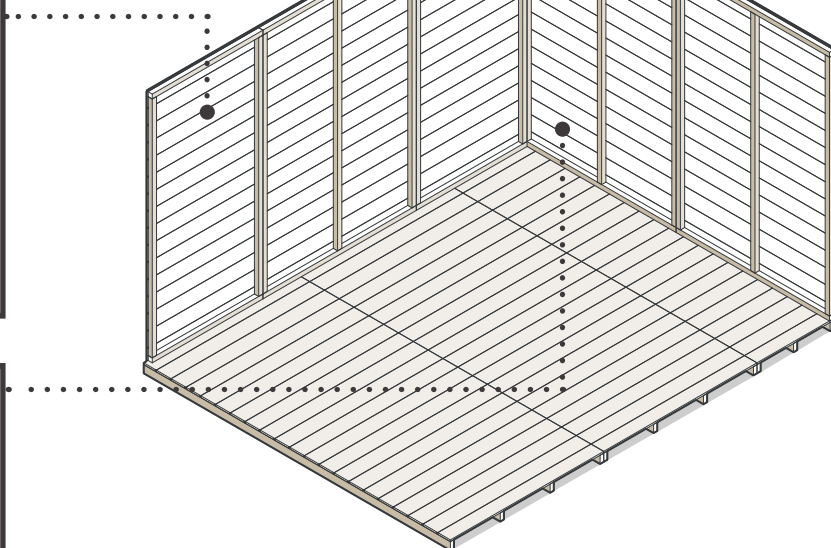
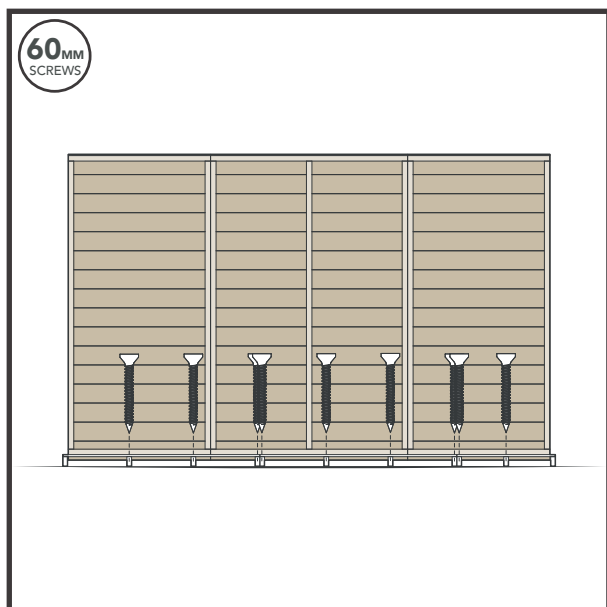
Ensure when butting the panels together in a corner, they are flush to the framework. The space next to the panel boards is for the Cover Strip to sit into.



### SECURE PANELS TOGETHER

Start in a back corner. Position and secure the Side Panels together. Ensure the bottom batten on the Side Panels sit onto the Floor and the bottom board is up against the Floor edge.

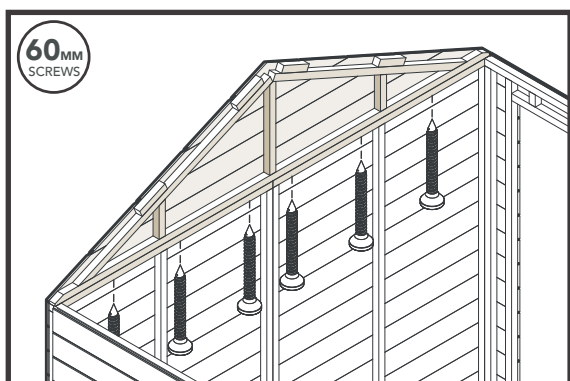
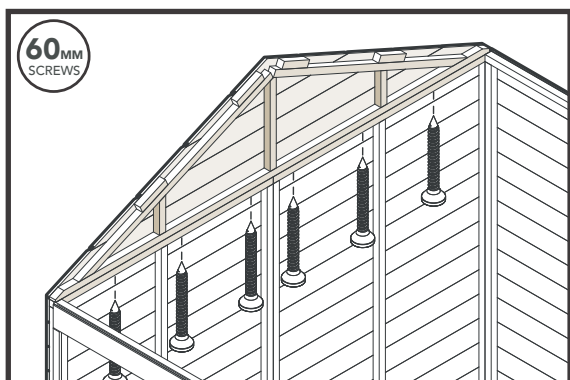
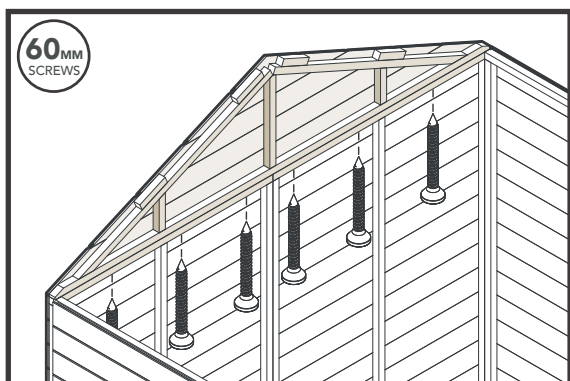
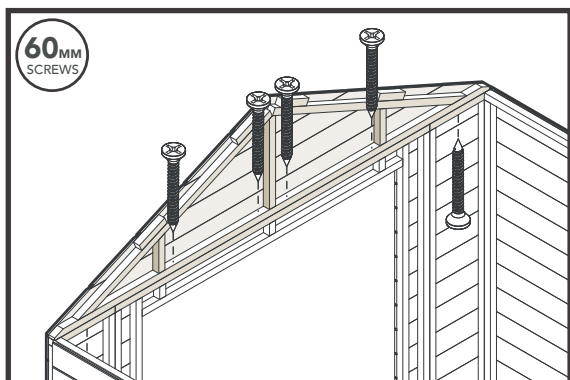
## 8x10 Sheds



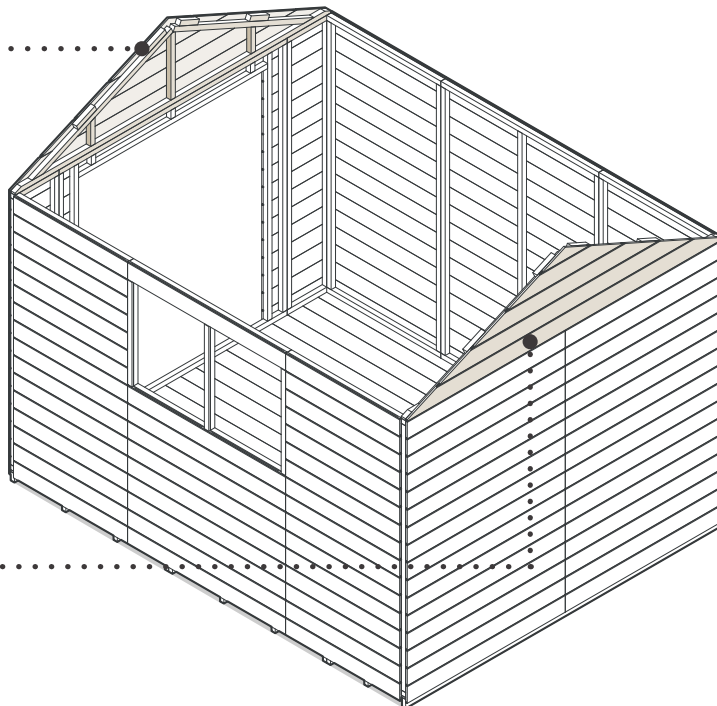
### SECURE TO FLOOR BEARERS BENEATH

Secure the Side Panels to the Floor by **screwing into the floor bearers beneath**. The above visuals show both 8x10 and 8x12 workshops when securing the panels to the bearers beneath.

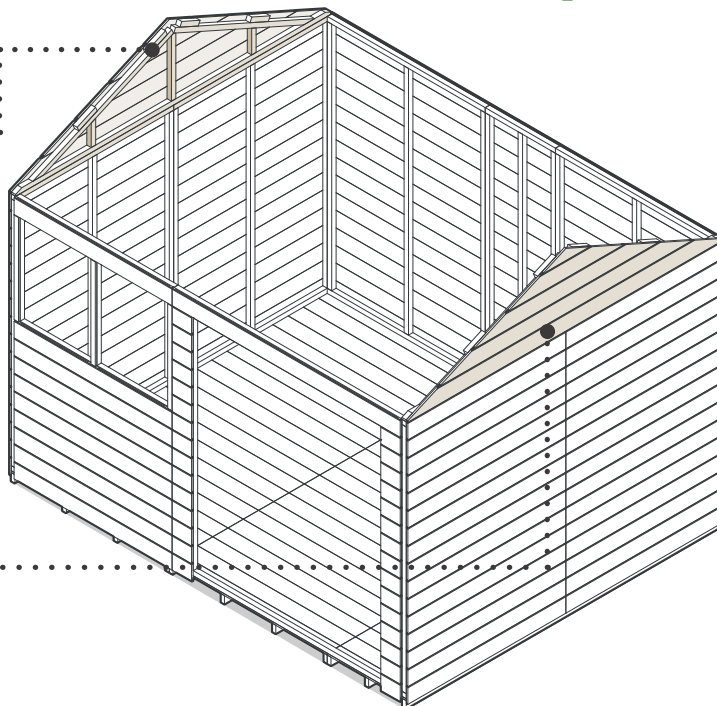
# Step 3: Apex Sections



Apex Sheds



Reverse Apex Sheds

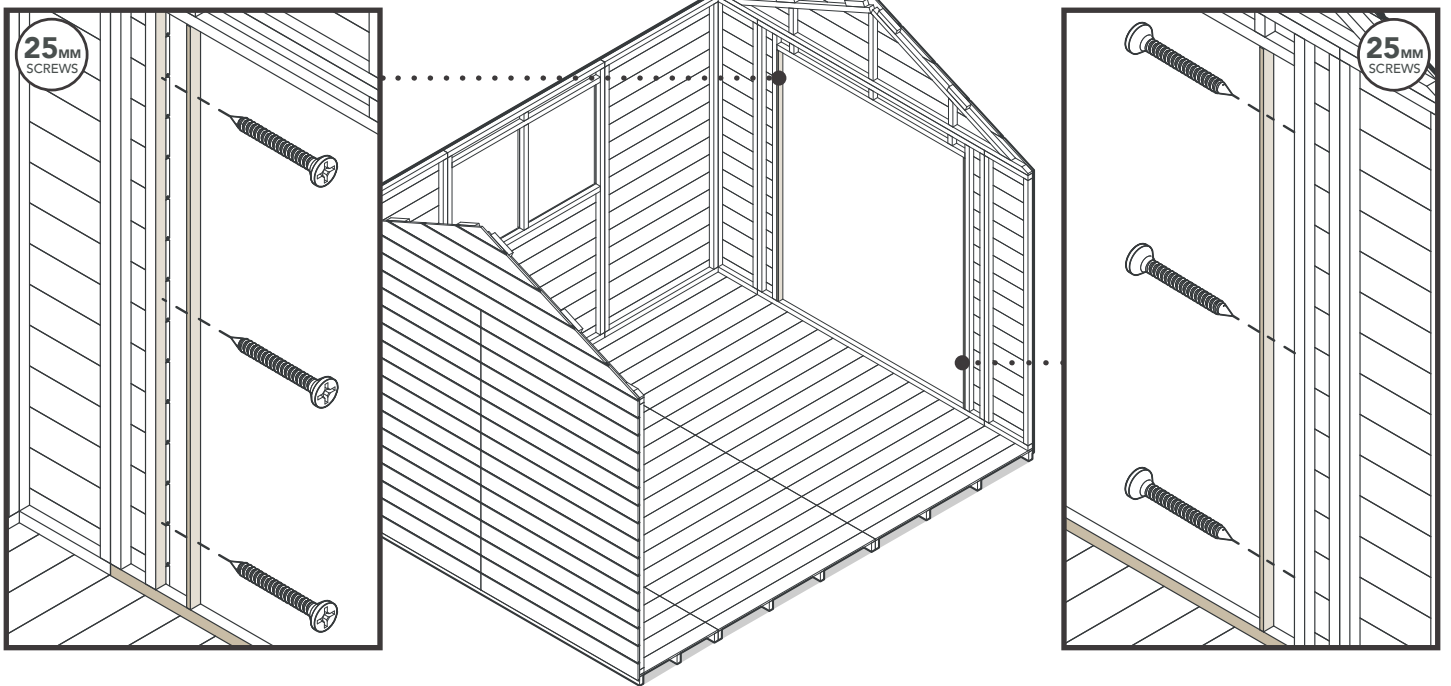
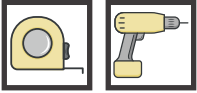


## APEX SECTIONS

Position and secure the Apex Sections to the Side Panels as shown above.



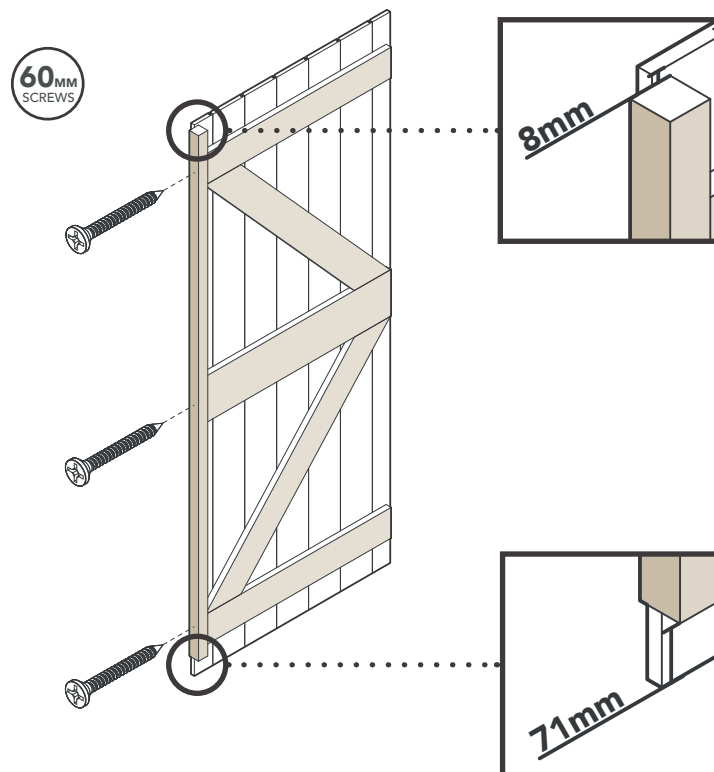
## Step 4: Door Strips



### DOOR STRIPS

Position and secure the Door Strips to the opening of the Door Panel framework as shown above.

Door strip size (33x12x1631mm)

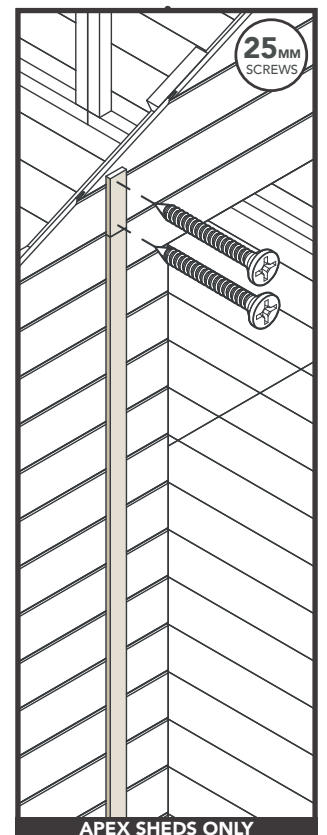
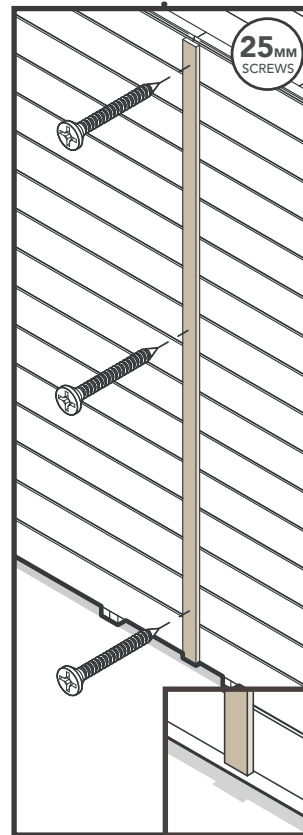
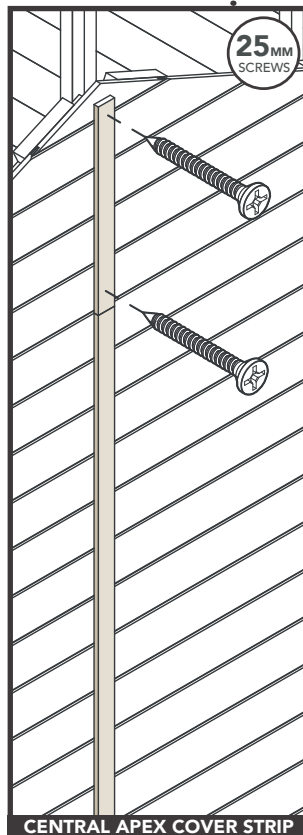
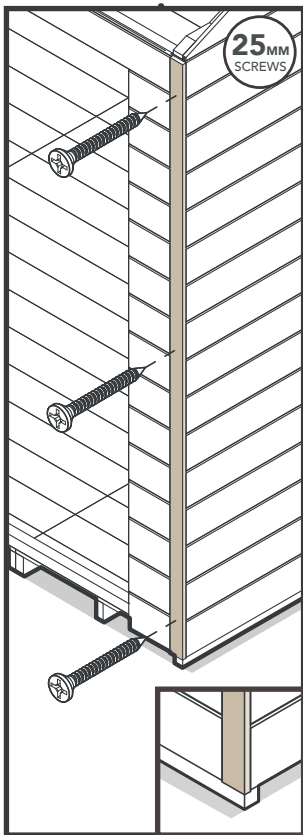
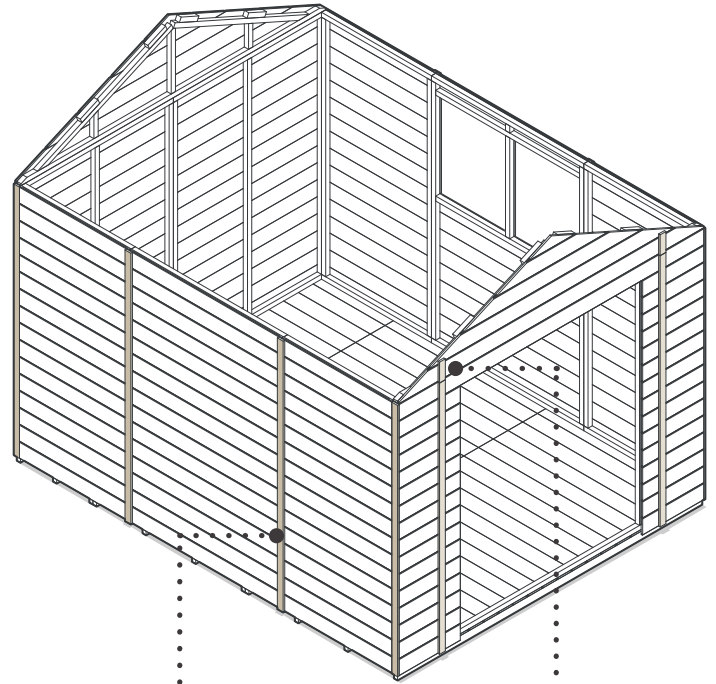
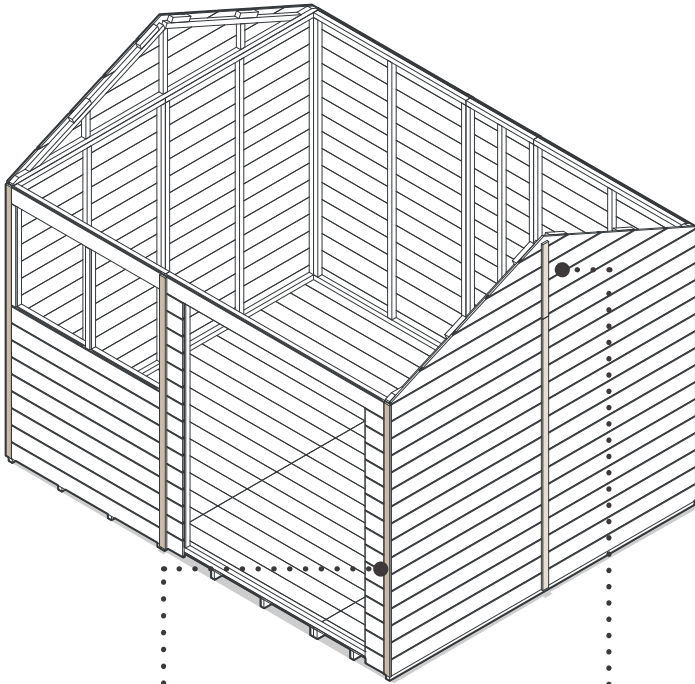
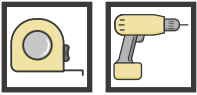


### SLAMMING STRIP

Position and secure the Slamming Strip onto the 'closed' door. This will be the Door without the lock on. Ensure you screw through the slamming strip into the Door framework as shown above.

Slamming strip size (33x33x1626mm)

# Step 5: Cover Strips

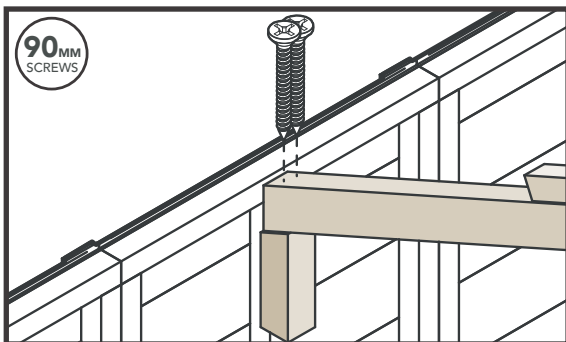
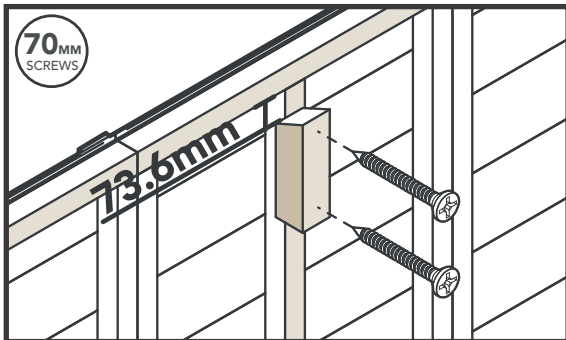
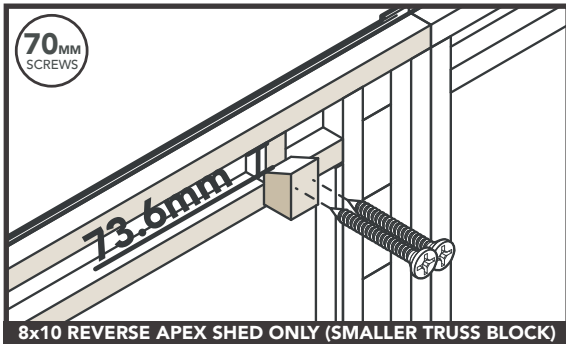
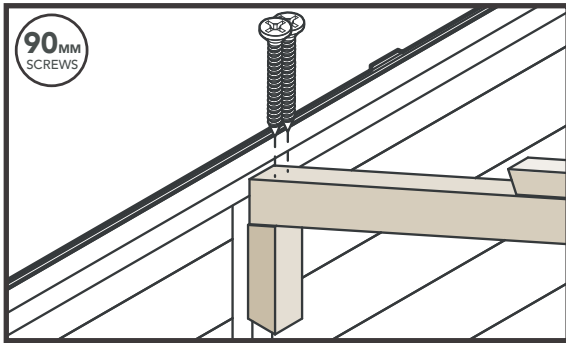
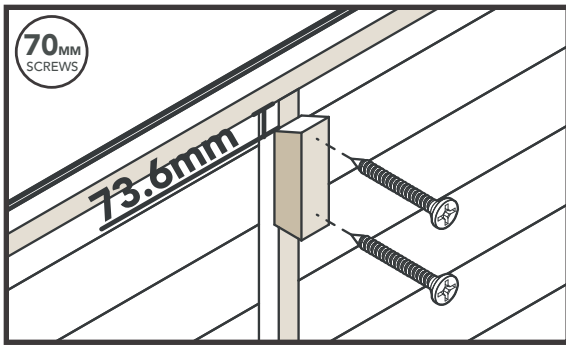
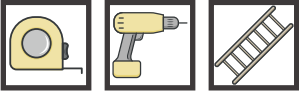


## COVER STRIPS

Secure the Cover Strips to the corners and adjoining panels. Ensure they are flush to the bottom edge of the panels. Attach the Apex Cover Strips to the Apex Sections. Ensure they are flush to the Cover Strips.

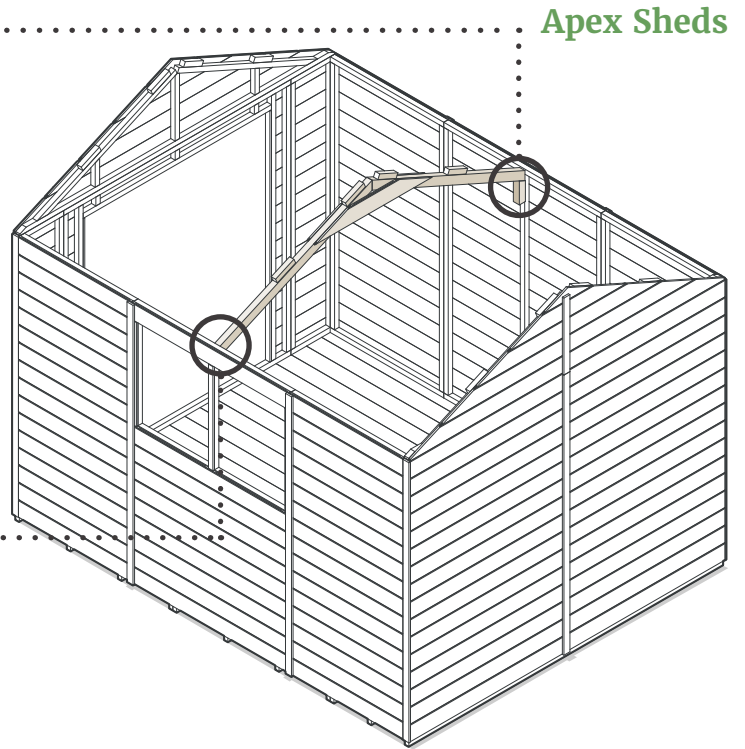
Cover strips size (45x12x1820mm), Central apex cover strip size (45x12x500mm),  
Front apex cover strip size (apex sheds only) (45x12x140mm)

# Step 6: Roof Assembly

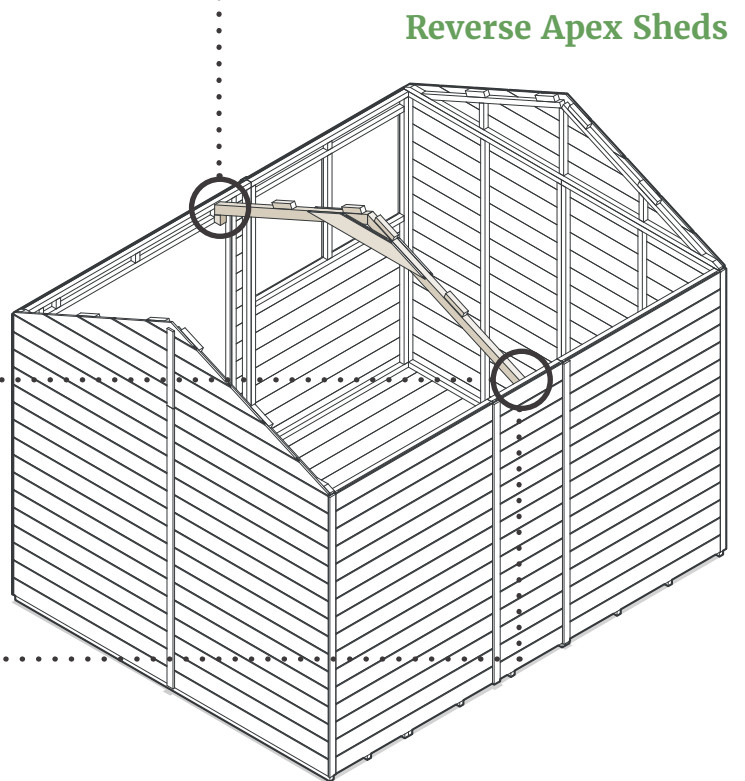


## TRUSS BLOCKS

Position and secure the Truss Blocks to the centre of each side of your workshop (between the Apex Sections). Use the measurements provided as a guide.



Apex Sheds

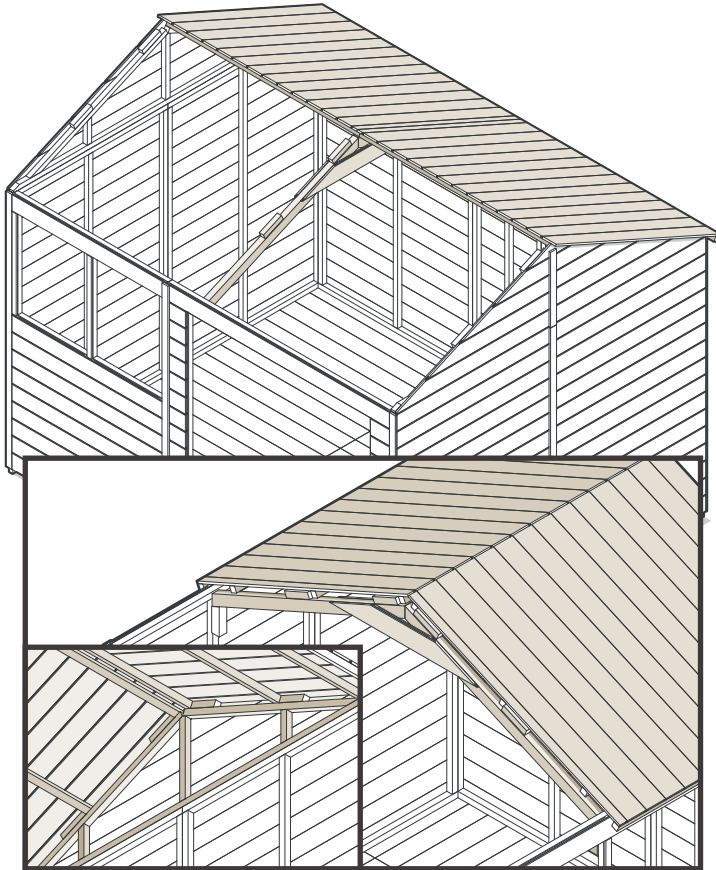


Reverse Apex Sheds

## TRUSS

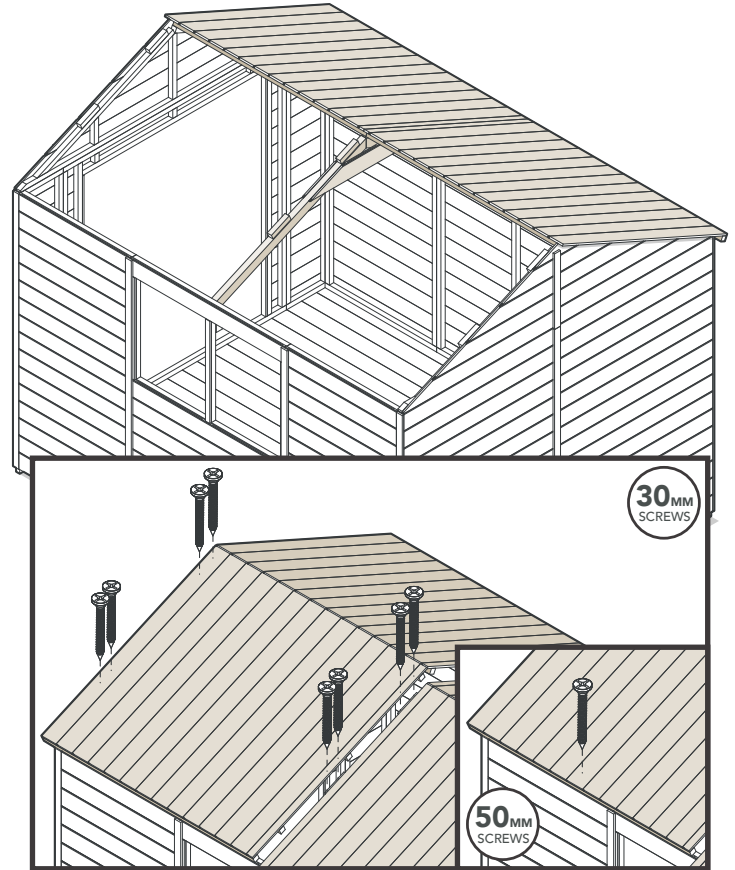
Position and secure the Truss centrally onto the Truss Blocks as shown above.





### POSITIONING YOUR ROOF PANELS

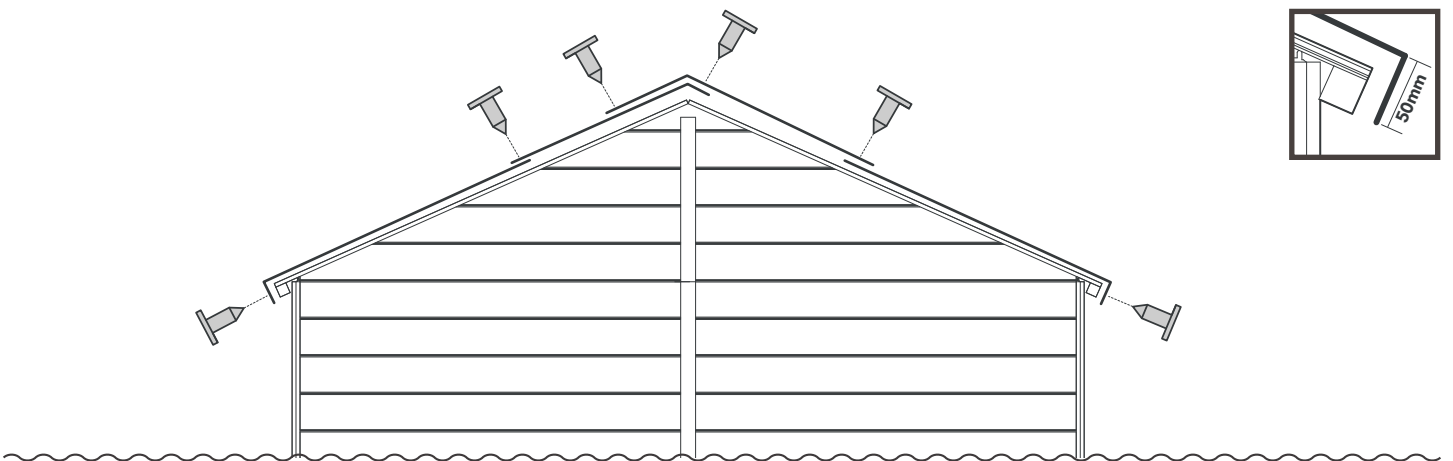
Position 2 x Roof Panels onto your Truss centrally and hook the other end into the Apex Section as shown above. Your Roof Panels will hook onto the blocks provided on the Apex Section. This will leave you with a 28mm roof overhang on the Apex Section.



### SECURE ROOF PANELS

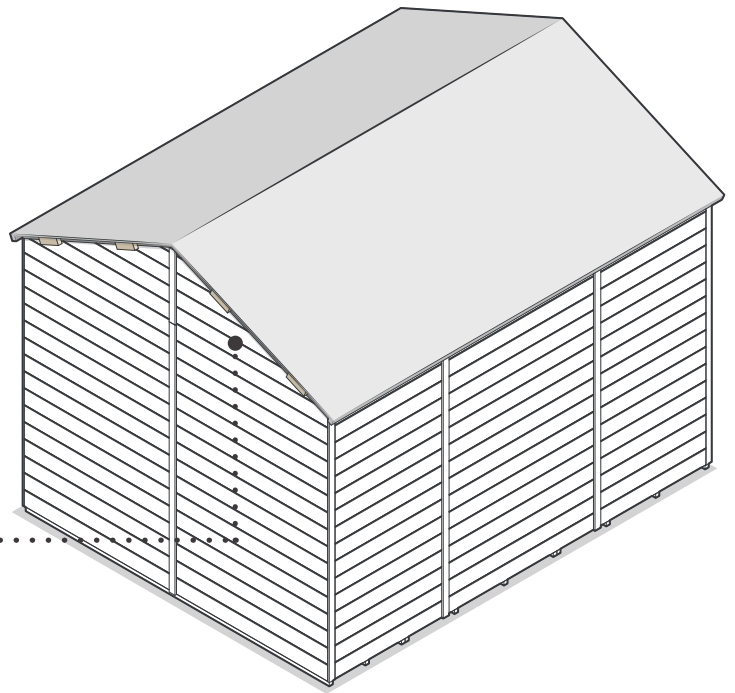
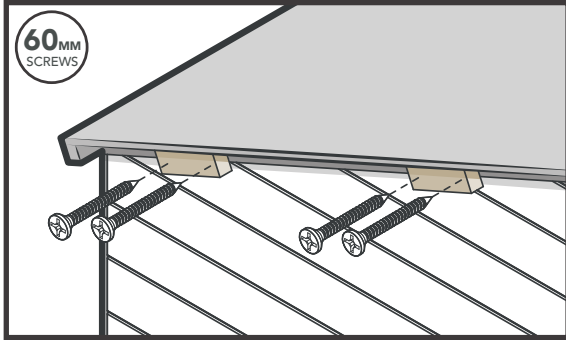
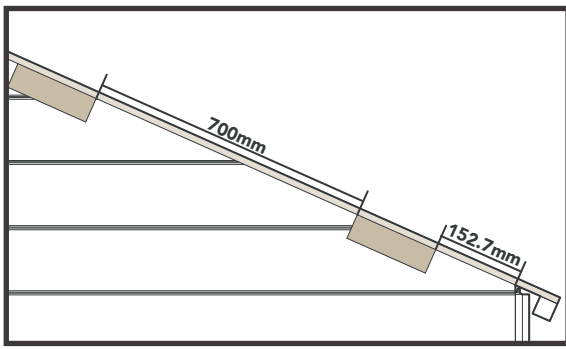
Work from the back to the front (apex sheds) or side to side (reverse apex sheds) with 2 x Roof Panels. **Secure the Roof Panels** to the blocks attached to the **Truss**, the blocks attached to the **Apex Section** and the **Side Panels**. Repeat the process for the next set of 2 x Roof Panels.

## Step 7: Felt



### 4 x FELT PIECES

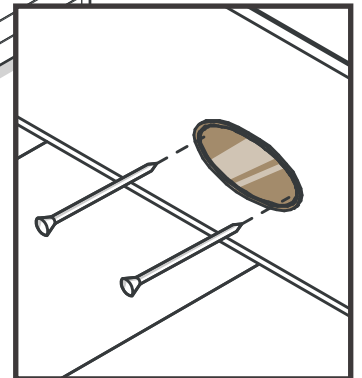
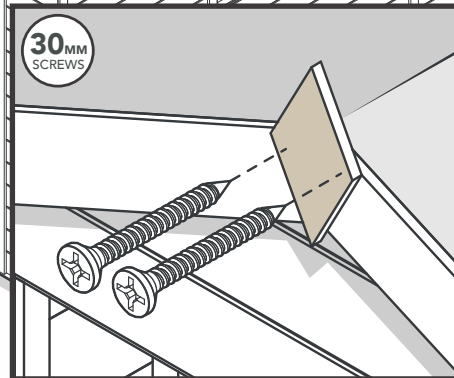
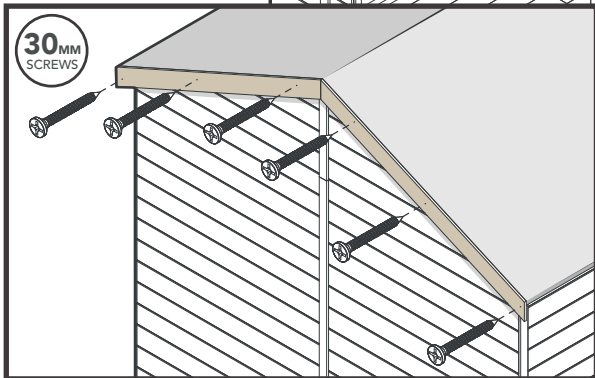
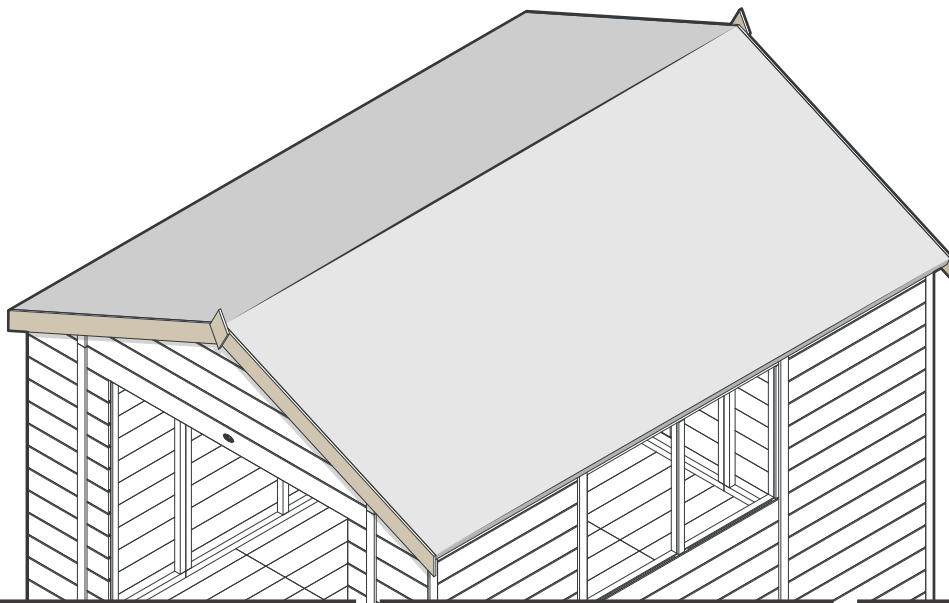
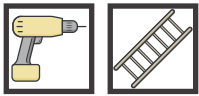
Measure out 4 equal lengths, cut with a sharp knife, overlap them on top, around the edges and fold the corners; tack to keep secure. Ensure there is a 50mm overhang at the bottom and work from the bottom to the top. Hammer the tacks into the felt at 150mm intervals.



### APEX BLOCKS

Use the Apex Blocks to pin the felt in place when tacking. **Position and secure the Apex Blocks** to the Apex Sections framework using the measurements as a guide. Repeat this process for both Apex Sections.

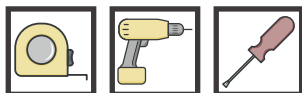
## Step 8: Fascia's & Finials



### FASCIA'S & FINIALS

**Position and secure the Fascia's and Finials** as shown above. Ensure to screw the Fascia's into the Apex Blocks and Roof Panels end battens. Do not forget to pin your Timberdale badge to the Door Panels framework.

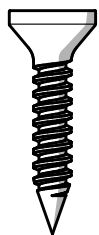
## Step 9: Window Fixings



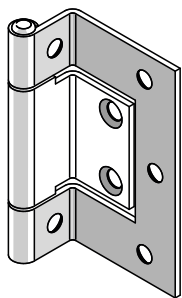
We have supplied **extra window fixing packs** for the workshops with **more than 2 x Windows**. Each fixing pack is for 1 x Window.

In the event that you are missing any fixings for your window assembly, please use the **fixing pack code below**.

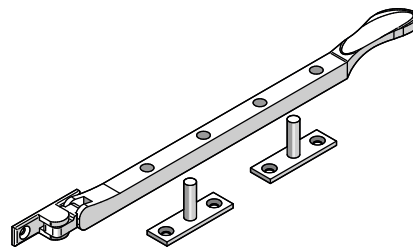
**WINDOW FIXING PACK CODE: TPASWINFP**



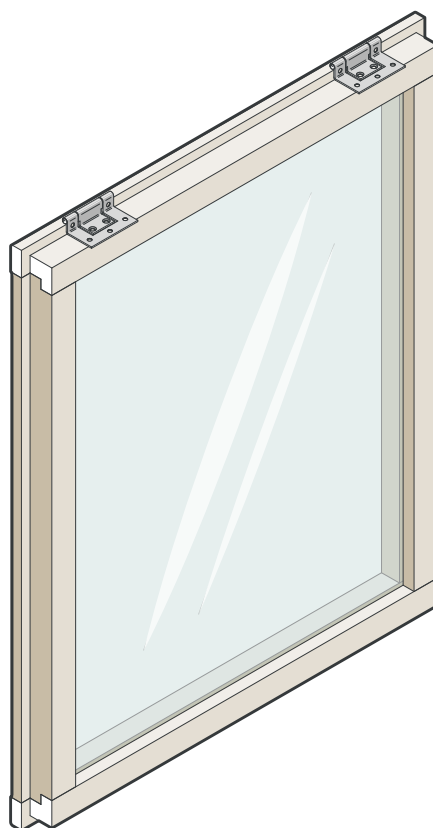
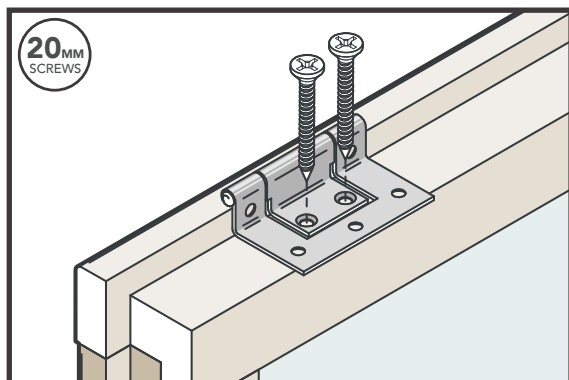
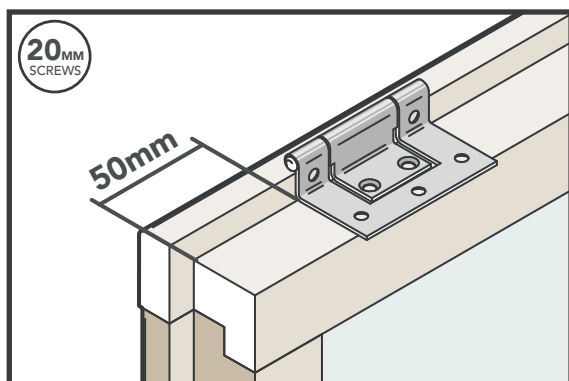
3.5 x 20mm Screws  
QTY: 14



Cranked Hinges  
QTY: 2

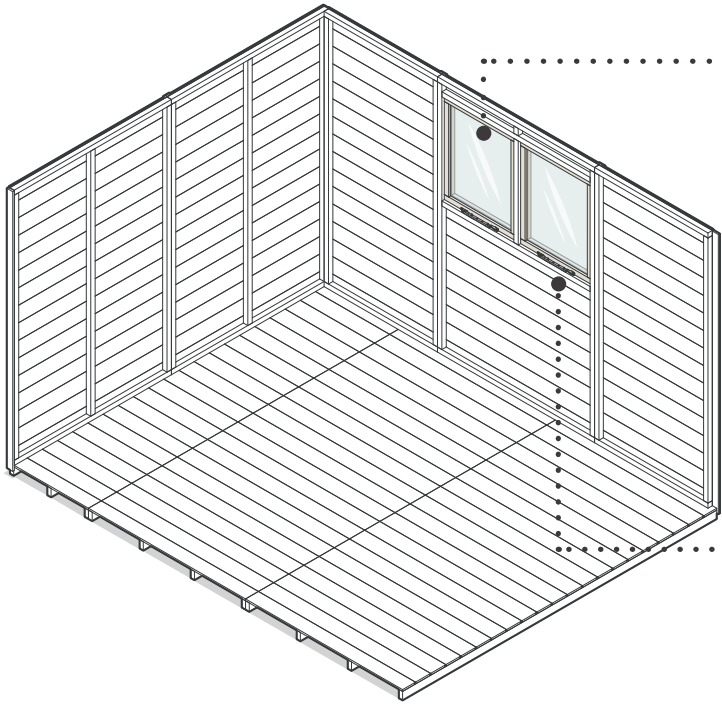


Casement Stay & Pins  
QTY: 1



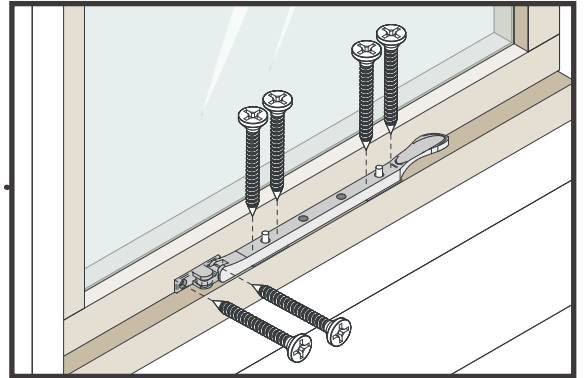
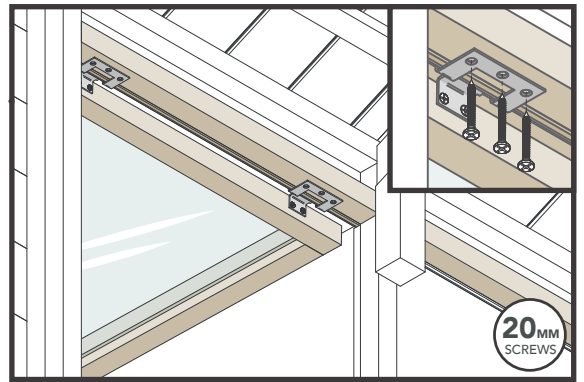
### WINDOW HINGES

**Position and secure the Cranked Hinges to the Window.** Use the measurement provided as a positioning guide. Repeat the process for your other Window(s).



### WINDOW ASSEMBLY

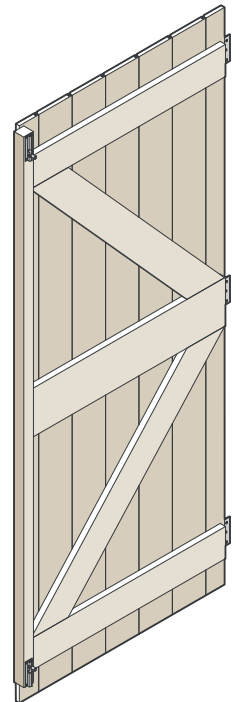
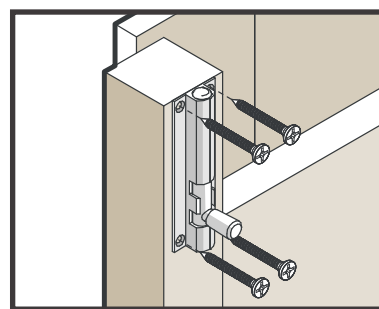
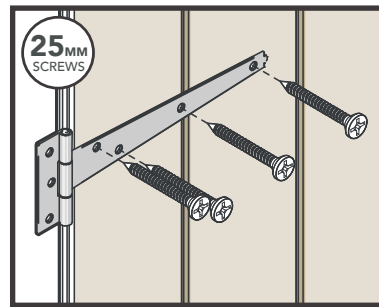
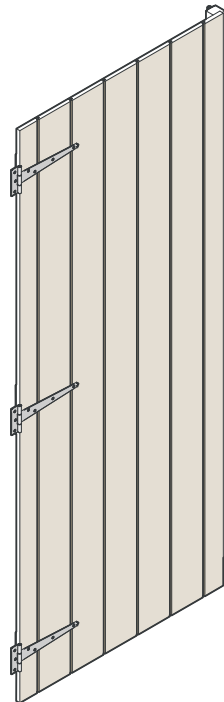
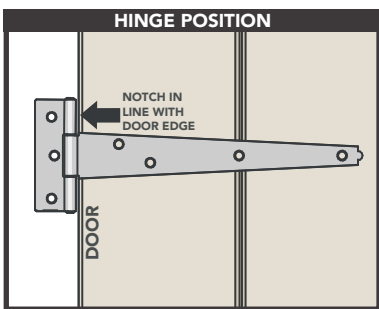
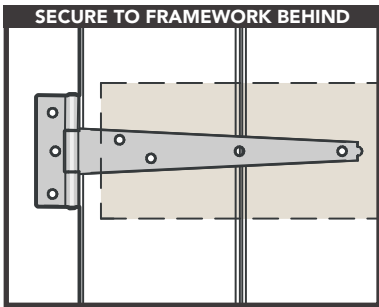
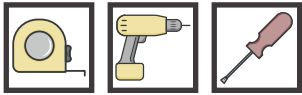
Secure the Window to the Window Panel framework. Ensure the pin on the hinges hook onto the T&G board on the front of the Window Panel and that the Window can open easily before securing in place.



### CASEMENT STAY

Secure the Casement Stay & Pins to the Window and interior sill. Secure the Casement Stay with its supplied screws and use it to position the pins underneath. Mark out first to ensure they align.

## Step 10: Door Fixings

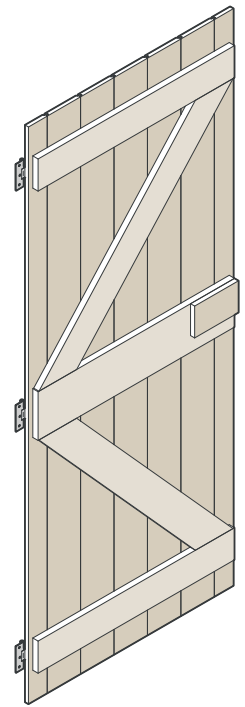
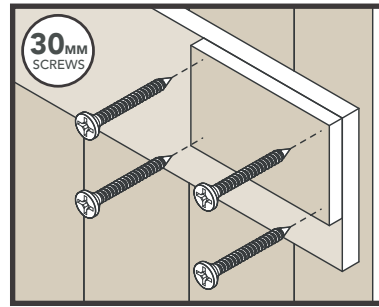
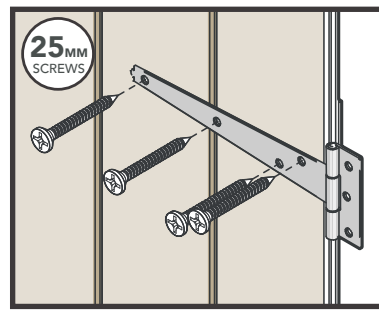
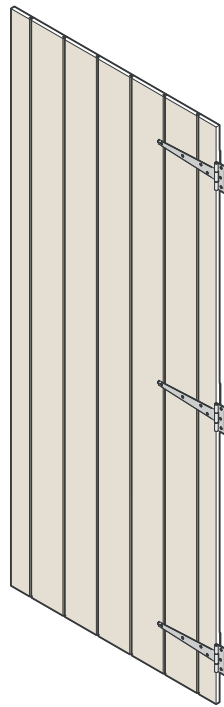
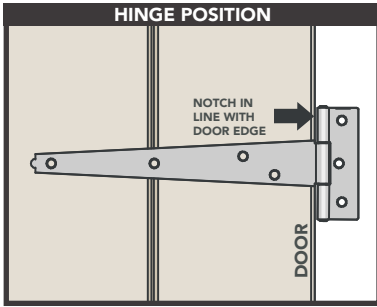
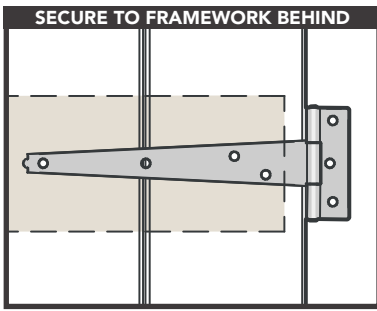


### DOOR HINGES (DOOR WITH SLAMMING STRIP)

Position and secure the hinges to the framework behind on the Door. Please take note of the hinge position. Ensure the outer face of the notch on the hinge is in line with the Door edge.

### BARREL BOLTS

Position and secure the Barrel Bolts flush to the Slamming Strip as shown above. Use its screws supplied and ensure to secure a Barrel Bolt to the top and bottom of the Slamming Strip.

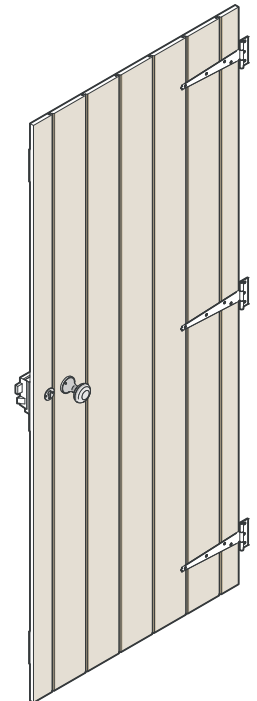
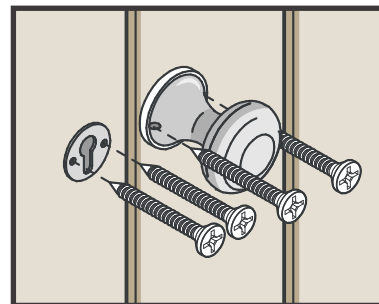
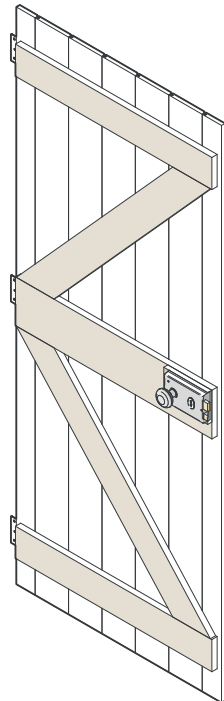
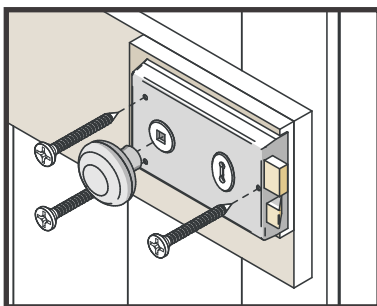
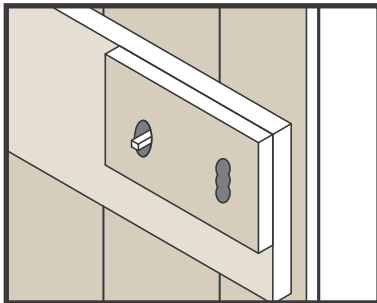


### DOOR HINGES

Position and secure the hinges to the framework behind on the Door. **Please take note of the hinge position.** Ensure the outer face of the notch on the hinge is in line with the Door edge.

### LOCK BLOCK

Position and secure the Lock Block flush to the corner of the framework, on the back of the Door as shown above. Lock block size (94x14x150mm)



### PREPARATION

Use a 16mm drill bit for the Door Handle hole. Use the Escutcheon as a guide with 5-8mm drill bits and drill 3 x holes to provide the hole for the key.

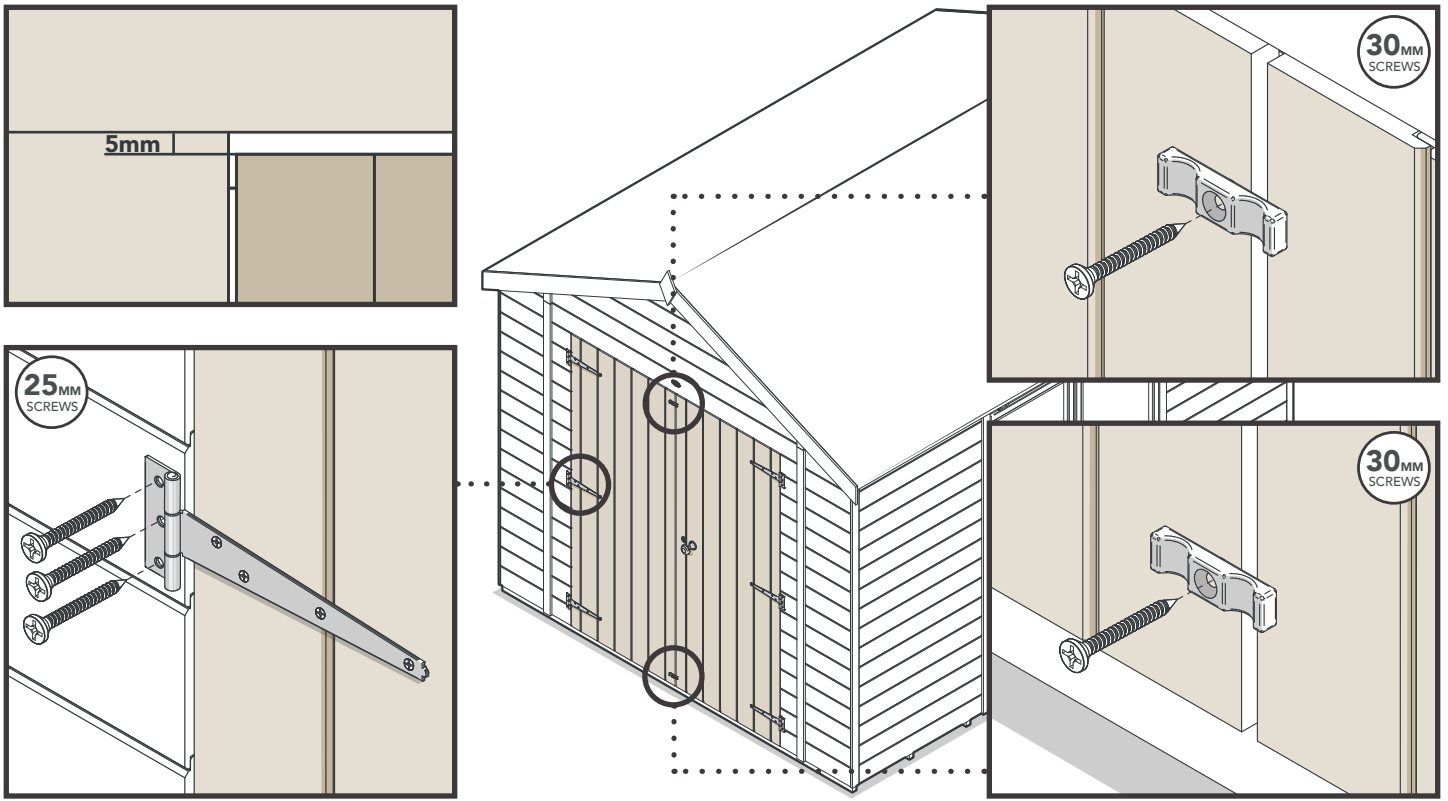
### RIM LOCK

Secure the Rim Lock to the Lock Block with its supplied fixings. Ensure to hook the Rim Lock over the edge of the Lock Block. Thread the spindle through to attach the Handle.

### FRONT DOOR FIXINGS

Position and secure the Door Handle and Escutcheon to the external face of the Door using their supplied fixings. Ensure they cover the pre-drilled holes.



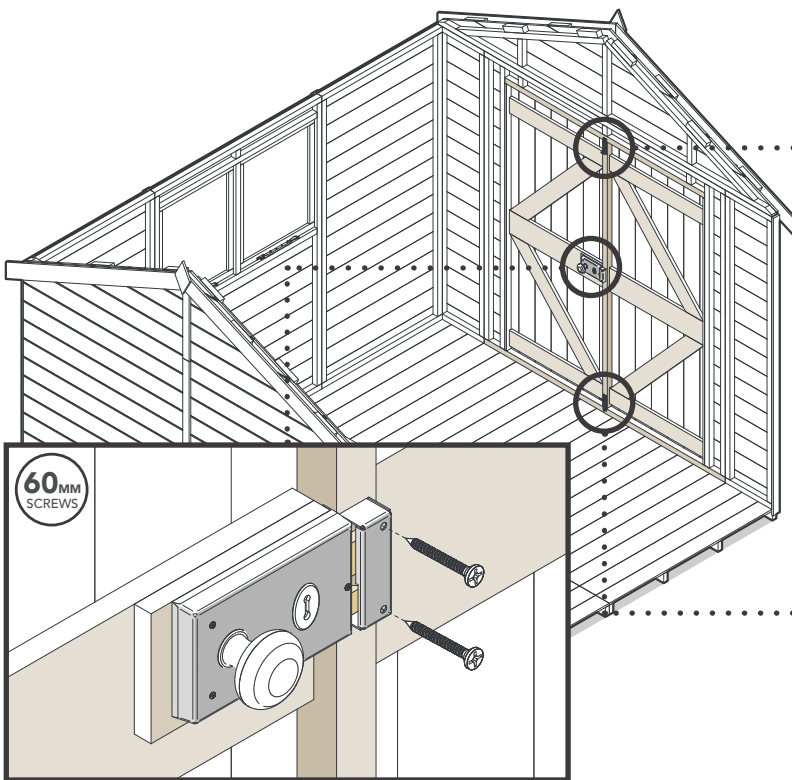


### DOOR INSTALLATION

Position the Door into the opening, ensuring it's level. Make sure the hinges are up against the T&G boards with a 5mm gap at the top of the Door. Once positioned, secure all hinges to the Door Panel into the framework behind.

### TURN BUTTONS

Position and secure a Turn Button to the top and bottom of the Door, into the Slamming Strip behind as shown above.



### RIM LOCK RECEIVER

Position and secure the Rim Lock Receiver to the Slamming Strip, using the Rim Lock as a guide. Test the key to ensure the lock works accordingly.

### BARREL BOLT RECEIVERS

Position and secure the Barrel Bolt Receivers to the Door Panel framework, using the secured Barrel Bolts as a guide as shown above.



**Forest Garden Ltd,**  
Unit 288 Oak Drive,  
Hartlebury Trading Estate,  
Hartlebury,  
Worcestershire,  
DY10 4JB

**t:** 0333 321 3142  
**w:** [forestgarden.co.uk](http://forestgarden.co.uk)  
**e:** [info@forestgarden.co.uk](mailto:info@forestgarden.co.uk)

EU Authorised Representative:  
Authorised Representative Service,  
77 Camden Street Lower Dublin,  
D02 XE80, Ireland

## Making British gardens great

Thank you for purchasing your shed from Forest Garden. No matter what size garden, a shed is the most practical of garden structures. Simply follow these step by step instructions and our top tips and you'll be enjoying your shed for many years to come. If you have any questions or need advice, our friendly team is here to help.

# LOG STORE INSTRUCTIONS

## LOG STORE (8x6) (10x8)

These instructions are for the installation of the Log Store. Please use these in conjunction with the other set of instructions supplied.

### BEFORE YOU START

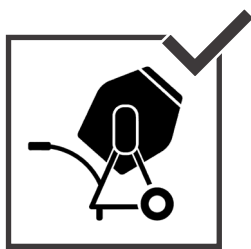
Please read through these instructions to familiarise yourself with your shed. We recommend that you **check all the components** using the lists found on the front and back pages before you start to build.

All of our sheds are constructed in the same way. They simply come with different components depending on the type of shed you have. Don't worry if your fixing pack contains some spare items at the end of the build (you haven't missed a bit!) we have sent you a generic fixing pack to suit the shed range.

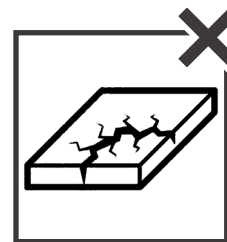
Please take care when unpacking, handling and assembling the toughened safety glass windows. We recommend wearing cut-resistant gloves in the event of a breakage, as it will disintegrate into small pieces.

## BASE PREPARATION

It's vital that you build your new shed on a **solid, level base**. Timber or Plastic Shed Bases are ideal, as is solid concrete or concrete slabs.



**Concrete**  
Concrete surface/  
Concrete slabs



**Broken Slabs/Gaps**  
Uneven slab sizes  
with no cement



**Soil**  
A base of soil  
only

If you have an existing base and think it's suitable for your new shed to be sited on, it is important you check that it is level and doesn't deviate by any more than 15mm from edge to edge. If this isn't the case the building will twist, causing gaps to appear in the sections and the roof, doors and windows to misalign.

There's more information on base preparation on our website [www.forestgarden.co.uk](http://www.forestgarden.co.uk)

### Missing something or need more information?

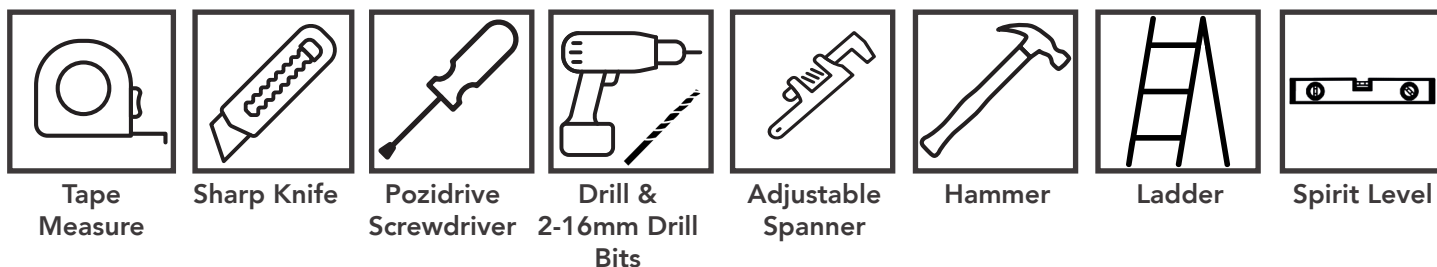
Call our after sales team on  
0333 321 3142

### Visit our website for spare instructions and more information

[www.forestgarden.co.uk](http://www.forestgarden.co.uk)



We recommend using the following tools (not supplied):



Assembly is relatively straightforward if you follow these step by step instructions. We recommend getting everything aligned properly before screwing together and that **Screw holes should be pre-drilled** to avoid splitting the timber.

**IMPORTANT**  
Assembly requires 2+ adults.

**REMINDER**  
Always pre-drill before screwing.

**PLEASE KEEP PLASTIC BAGS AND SMALL PARTS AWAY FROM CHILDREN**

## CARE & ATTENTION

To help you get the most out of our products it's useful to know a little more about the properties of timber, what's normal and how your shed may behave as the seasons change. Wood is an extremely durable material for construction but as a natural product when used outdoors it is susceptible to changes in the environment.

## THINGS THAT YOU MIGHT SEE IN YOUR PRODUCT



### MOVEMENT, TWISTING & WARPING

Wood contains a natural level of moisture so decreasing humidity levels in the surrounding air may cause panels to change their shape as the porous fibres shrink. This can be exaggerated during prolonged periods of dry weather. Movement and gaps in timber products are normal, in most cases the wood will revert to its original form once the high temperatures subside and there is more moisture content in the air. Similarly, in the winter months, the opposite may occur with wood swelling.



### EXPANSION, CONTRACTION, SPLITS & CRACKS

All timber will expand and contract according to its environment. As a result of this expansion and contraction, it is very common to see splits and cracks developing in the wood. Splits are common during the spring and summer months as the wood begins to dry out. The outer surface dries first and contracts, contracting over a still expanded core of the wood. The result of this is that splits and cracks appear along the grain of wood. These splits are not a fault and do not affect the structural integrity of a product.



### MOULD & BLUE STAIN

Mould is a surface-dwelling fungus that feeds on the nutrients and debris contained in the surface cells of timber. The most common problems associated with mould are discoloured timber and an increase in permeability of the timber. Blue stain is part of the same family but penetrates deeper into the surface layers of the timber. It stains the timber a dark blue, whereas mould is usually black. These do not cause the timber to rot. Keep the building well ventilated to avoid mould.

Treat your building annually, we advise the application of a high quality preservative that contains a mildewcide. For more information on the conditions of our guarantee see [forestgarden.co.uk](http://forestgarden.co.uk).

### ADVICE ON FELT HANDLING & USAGE

Roofing felt is flexible at temperatures above 5°C. In cold temperatures extra care must be taken when handling and installing to prevent cracking and damage to the felt. The felt should not be rolled, folded or used in temperatures lower than 5° C. In cold temperatures the felt should be stored above 10°C (indoors) for 24 hours prior to use. Felt must be lifted, not dragged and should be stored on its end on a dry surface.

**THE ROOF OF THIS BUILDING IS NOT A LOAD BEARING STRUCTURE**

- 1 MAKE SURE YOU POSITION YOUR SHED IN THE BEST LOCATION IN YOUR GARDEN**  
Avoid areas where water pools and is constantly wet. Position away from trees and cut back any overhanging foliage which can cause moisture to be trapped against shed walls and debris to collect on the roof.
- 2 RAISE YOUR SHED OFF THE GROUND**  
Ideally any concrete base should be the same footprint as the shed to allow surface water to run off without pooling, a timber shed base can also be used. Raise 50mm above ground level.
- 3 SEAL THE BASE**  
We recommend a treatment containing wax or oil, paint the bearers that come into contact with the ground to prevent moisture coming up.
- 4 USE AN END-GRAIN PROTECTOR**  
To protect the corners and panel joins, an end grain treatment can be applied.
- 5 SEAL THE PANELS & WINDOWS**  
Use a flexible silicone sealant around windows to prevent water ingress. This can also be used where 2 sections of the shed joint together. Apply internally.
- 6 CONSIDER ADDING GUTTERS**  
Adding guttering around the fascia of the shed will redirect rain water away from the shed's foundation.
- 7 KEEP VENTILATED**  
Good airflow around the perimeter of the shed and regular ventilation inside the shed will help prevent mould and mildew.
- 8 CONSIDER A WEATHERPROOFING STAIN OR CLEAR TREATMENT**  
We recommend you paint your garden shed with a weatherproofing treatment at least once a year. This will help maintain the wood, stabilise timber movement and help prolong the life of your shed.

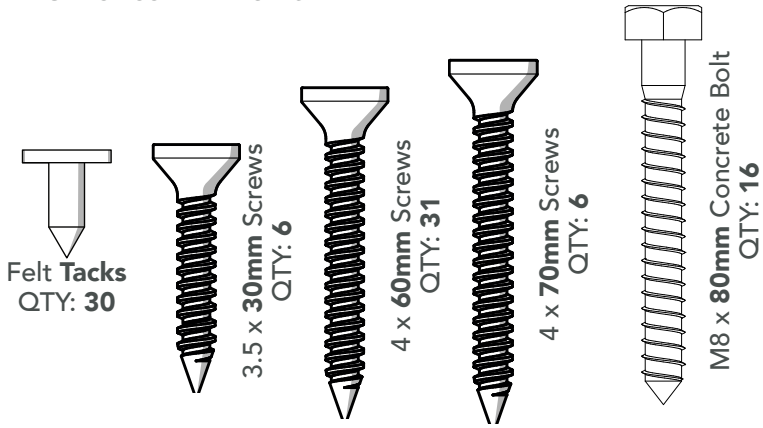
## HEALTH & SAFETY

We strongly recommend that PPE (Personal Protective Equipment) is used throughout your build to ensure you are protected from any potential health and safety risks. **Do not** exempt yourself from wearing PPE.

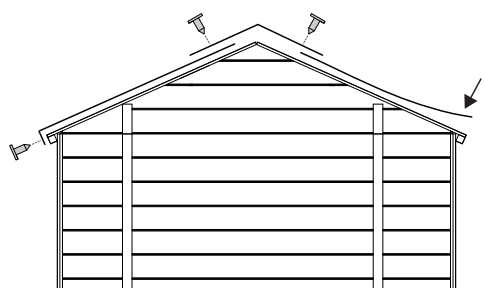


## FIXING PACK CONTAINS:

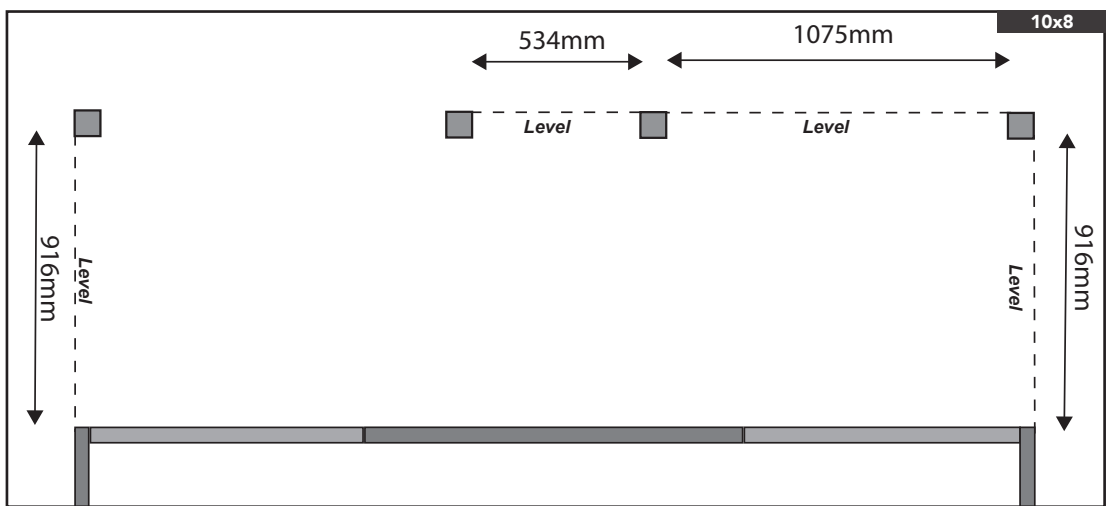
FIXING PACK CODE: TPMODLSFP



Don't fix the felt down on the Log Store side until the after you have assembled the Log Store.



## 4a POST BRACKET POSITIONS



Mark out the position of the Posts and then the position of the Post Brackets. Drill the pilot holes into the ground and secure the plates in place.

Take care when lining up the Post Brackets and measure from the fixed sides

For the 8x6 you will not need to put in the post at 534mm

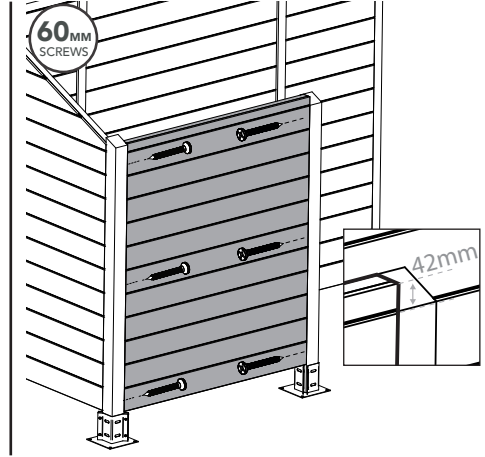
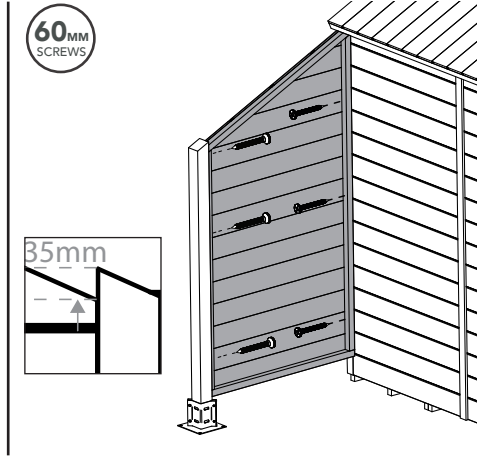
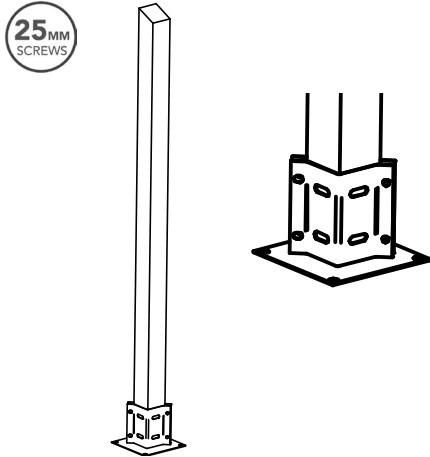
# 4b LOG STORE PANEL ASSEMBLY

PRE-DRILL WITH 2MM BIT FOR ALL STEPS BELOW.

Fix the posts into the Brackets.

Attach Back Panel and Post. Fix the panel to the side of the shed making sure that it is flush on the outside and tight under the roof. Attach the post to the panel so it too is flush on the outside.

Attach the Plain Panel. Fix the panel to the post so that it is in-line at the top and flush with the outside face. Attach the 1420mm Post to the Plain Panel.



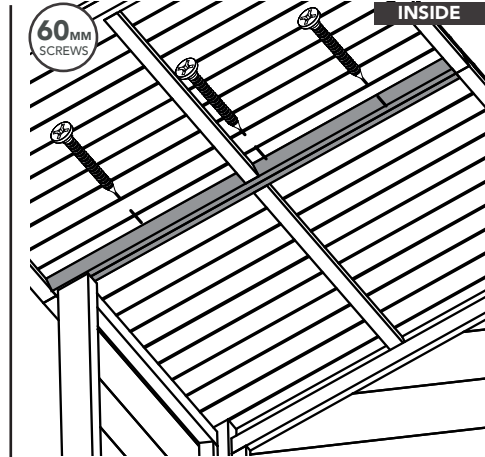
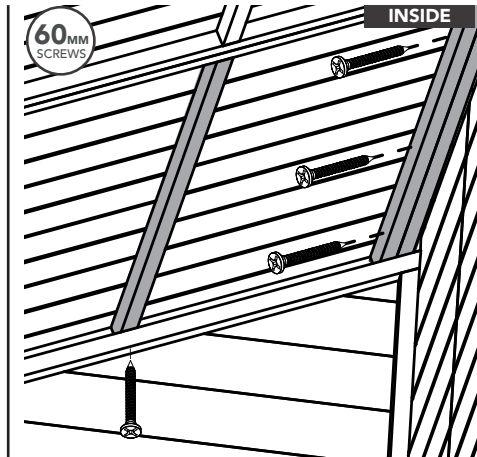
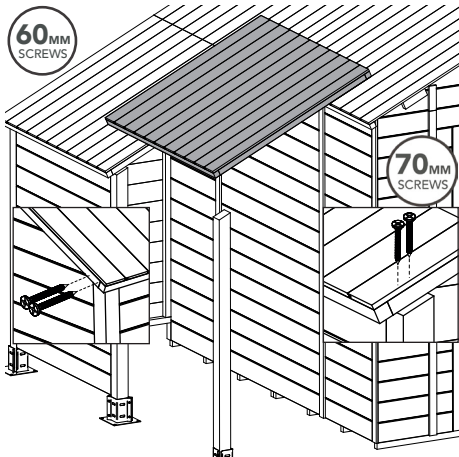
# 4c LOG STORE ROOF ASSEMBLY

Fix the Roof Panels to the Shed Roof and Posts. Position the Roof Panels on top of the panels and posts making sure that they are in line and flush with the Shed Roof Panels.

Secure the Log Store Roof to the Shed Roof

Secure the Log Store Roofs to each other.

PRE-DRILL WITH 2MM BIT FOR ALL STEPS BELOW.



# 4d FELT AND BARGE BOARDS

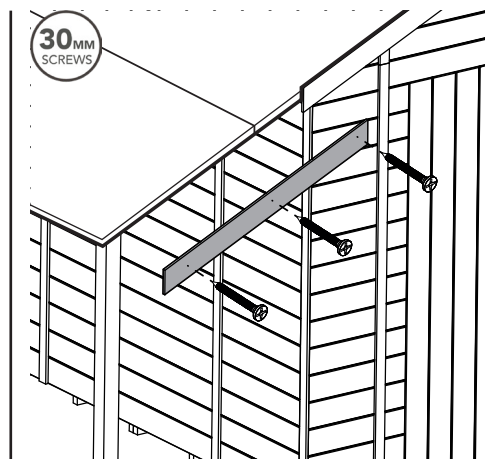
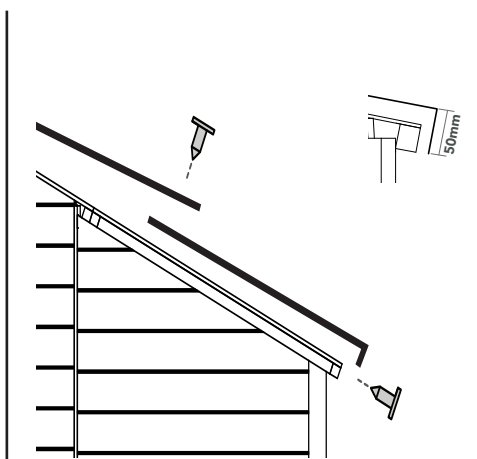
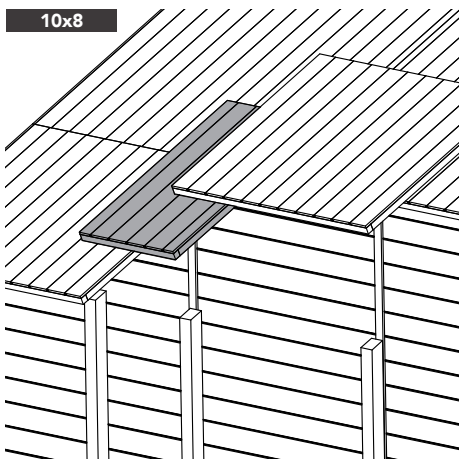
10x8 Log Store Roof Assembly. Place the 1420mm Post so that the Roof Sections will rest on it equally.

Tuck the felt underneath the piece you have left untacked so that there is a sufficient overlap. Fold at the corners. Tack to keep secure. Ensure 50mm of the felt covers the roof end battens. Tack from the bottom to the

PRE-DRILL WITH 2MM BIT FOR ALL STEPS BELOW.

Use with the Shed Instructions.

Place the Boards up against the front and back of the Log Store making sure that they are flush with the existing Boards on the Shed.

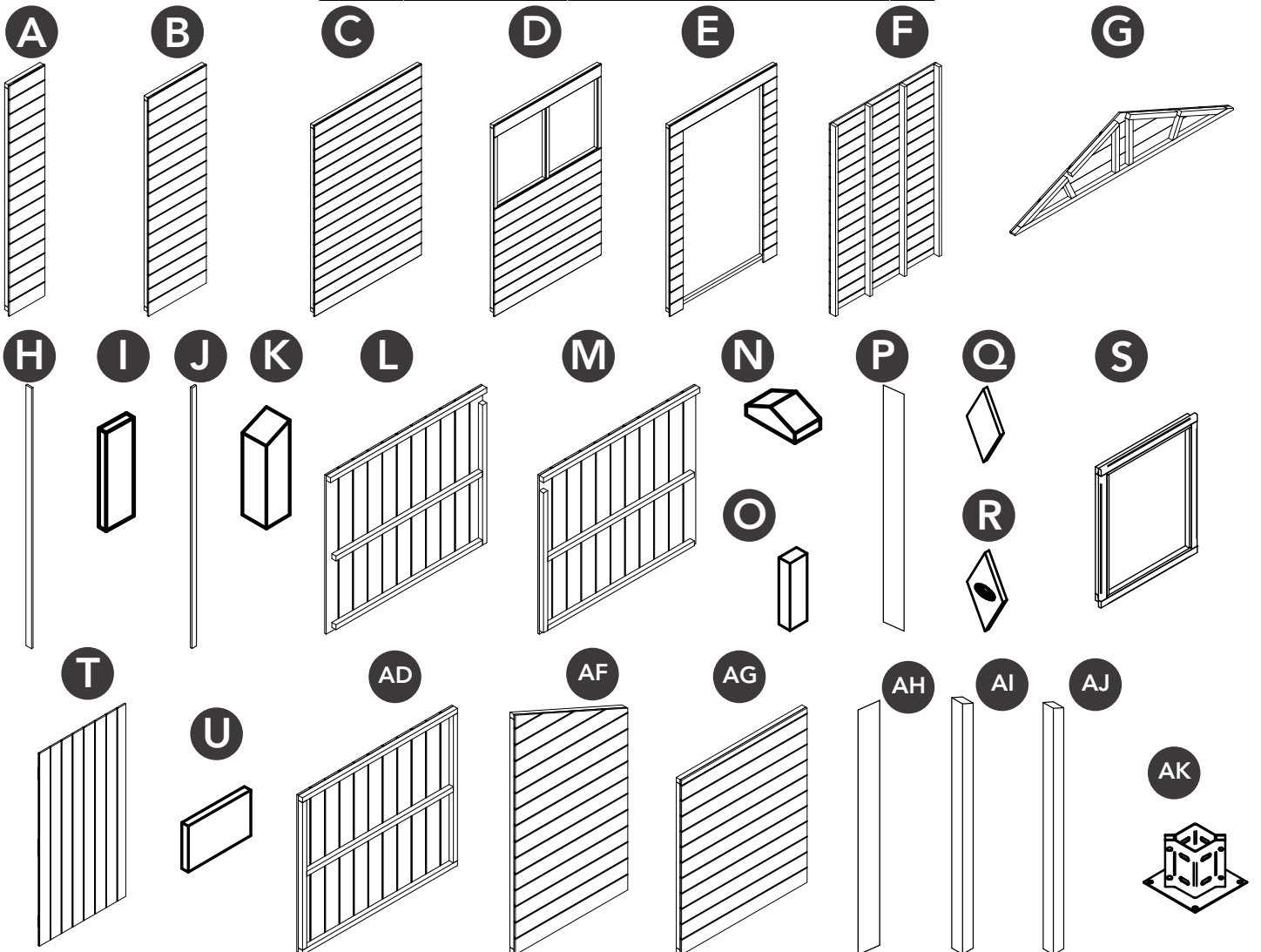


# CHECK YOU HAVE ALL YOUR PARTS.

(The parts do not have codes on them. They are listed below should you need to order one.)

The components provided may be heavy. Please lift with caution and with a minimum of 2 people.

T&G Apex 8' x 6' With Log Store (TPA86MLS)			
Label	Part Code	Description	No.
A	TPMOD323	Section A - Plain Panel (323x1831mm)	4
B	TPMOD557	Section B - Plain Panel (557x1831mm)	4
C	TPMODPP1180	Section C - Plain Panel (1180x1831mm)	2
D	TPMODDW	Section C - Window Panel (1180x1831mm)	1
E	TPMODDP	Section D - Door Panel (1180x1831mm)	1
F	TPMOD86FL1180	Floor (1180x1826x70mm)	2
G	TPMODGAB1826	Apex Section (417x1826mm)	2
H	45121820PPT	Cover Strip (45x12x1820mm)	12
I	45120140PPT	Join Cover Strip (45x12x140mm)	4
J	33121631PPT	Door Weather Strip (33x12x1631mm)	2
K	45450155PAI24PT	Truss Support Block (45x45x155mm)	2
L	TPMOD86RHRF	Right Hand Roof Panel (1075x1224mm)	2
M	TPMOD86LHRF	Left Hand Roof Panel (1075x1224mm)	2
N	45450085PAI124PT	Truss Block (45x45x85mm)	1
O	45280150PPT	Apex Block (45x28x150mm)	8
P	95121125PAI124PT	Fascias (95x12x1125mm)	4
Q	FIN20010512PT	Finial (105x12x200mm)	1
R	FOTAGFIN	Finial With Badge (105x12x200mm)	1
S	TPASWIN	Window (558x695mm)	2
T	MTGSH86DR	Door (883x1705mm)	1
U	94140150PPT	Lock Block (94x14x150mm)	1
AD	TPMODLSRF1224	Log Store Roof (1075x1224mm)	2
AF	TPMODLSEND	Log Store End Panel (915x1692mm)	1
AG	TPMODLS1075	Log Store Panel (1075x1294mm)	1
AH	95121115PAI124PT	Fascia (95x12x1115mm)	2
AI	70701546AI24PT	Post (70x70x1546mm)	2
AJ	70701420AI24PT	Post (70x70x1420mm)	1
AK	FBEF65	Post Bracket	3
AC	Felt - Please contact our aftersales team with your product code if you are missing your felt.		1



T&G Apex 8' x 10' With Log Store (TPA810DDMLS)			
Label	Part Code	Description	No.
A	TPMOD328	Section A - Plain Panel (323x1831mm)	2
D	TPMODPP852	Section B - Plain Panel (557x1831mm)	4
F	TPMODPP1180	Section C - Plain Panel (1180x1831mm)	3
G	TPMODDW	Section C - Window Panel (1180x1831mm)	1
H	TPMODDDP	Section D - Door Panel (1180x1831mm)	1
I	TPMOD108FL1180	Floor (1180x70x2360mm)	2
J	TPMOD108FL590	Floor (590x70x2360mm)	1
K	TPMODGAB2360	Apex Section (538x2360mm)	2
L	45121820PPT	Cover Strip (45x12x1820mm)	11
M	45120140PPT	Join Cover Strip (45x12x140mm)	2
N	45120500PPT	Join Cover Strip (45x12x500mm)	1
O	33121631PPT	Door Weather Strip (33x12x1631mm)	2
P	45450155PAI24PT	Truss Support Block (45x45x155mm)	2
R	TPMOD108TRUSS	Truss (585X2294mm)	1
S	TPMOD108RHRF	Right Roof Panel (1372X1519mm)	2
T	TPMOD108LHRF	Leftt Roof Panel (1372x1519mm)	2
U	45280150PPT	Truss Support Block (45x28x150mm)	8
V	95121420PAI124PT	Fascia (95x12x1420mm)	4
W	FIN20010512PT	Finial (105x12x200mm)	1
X	FOTAGFIN	Finial With Badge (105x12x200mm)	1
Y	TPASWIN	Window (558x695mm)	2
Z	TPDR1705	Door (700x1705mm)	2
AA	33331626PPT	Slamming Strip (33x33x1626mm)	1
AB	94140150PPT	Lock Block (94x14x150mm)	1
AD	TPMODLSRF1224	Log Store Roof (1075x1224mm)	2
AE	TPMODLSRF590	Log Store Roof (590x1224mm)	1
AF	TPMODLSEND	Log Store End Panel (915x1692mm)	1
AG	TPMODLS1075	Log Store Panel (1075x1294mm)	1
AH	95121115PAI124PT	Fascia (95x12x1115mm)	2
AI	70701546AI24PT	Post (70x70x1546mm)	2
AJ	70701420AI24PT	Post (70x70x1420mm)	2
AK	FBEF65	Post Bracket	4
AC	Felt - Please contact our aftersales team with your product code if you are missing your felt.		

