

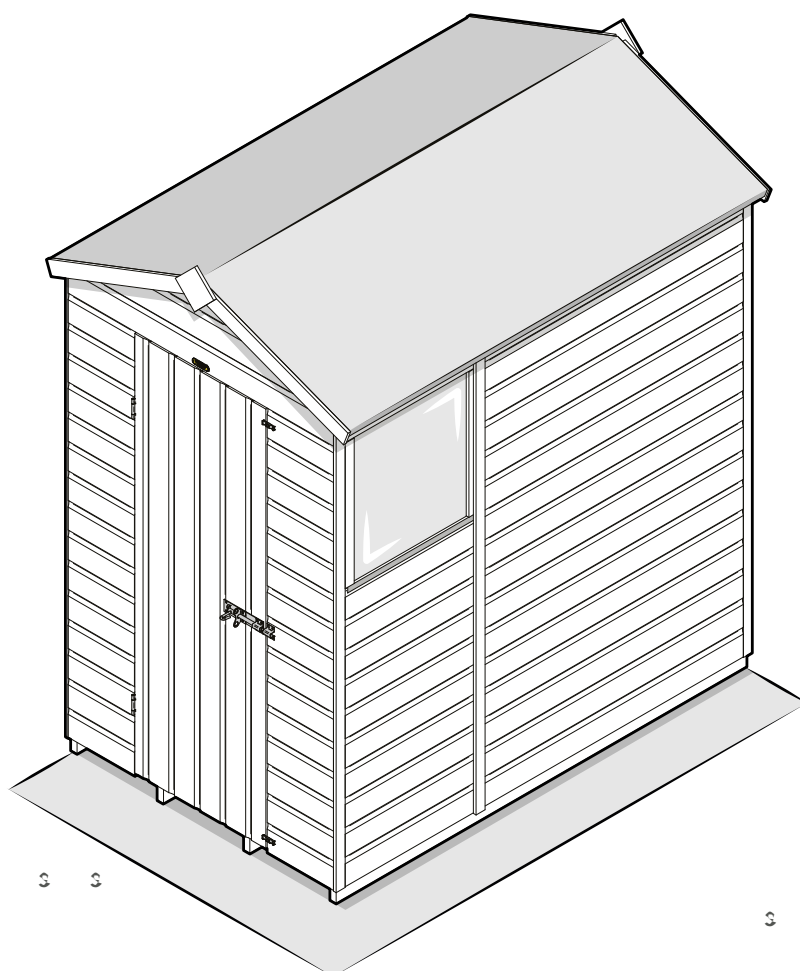
BECKWOOD



ISSUE:

SHED INSTRUCTIONS

BEFORE YOU START ()



Missing something or need more information?

Call our after sales team on

014

Visit our website for spare instructions and more information

fore.garden.co.uk

Fore Garden, Oak Drive, Harlebury Trading Estate, Harlebury, Worcesterhire, DY1 4JB

EU authorised representative: authorised representative Service, Camden Street Lower Dublin, D15 XE8, Ireland

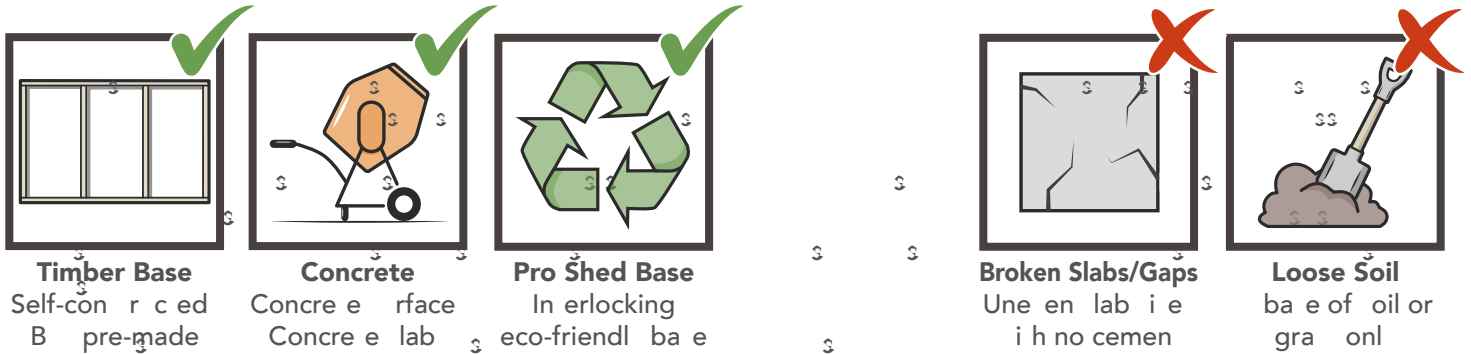
BEFORE YOU START.

Please read through this guide to prepare yourself before assembling your shed. We recommend that you **check all the components and fixings**. Your parcel can be found on your shed label.

Your shed are constructed in the same way, they may come with different components depending on the type of shed you have. We have included **generic fixing packs** and **generic loose item packs** to suit the shed range. You should expect there to be leftover fixings and loose items.

BASE PREPARATION

It is vital that you build your shed on a **solid, level base**. Timber or Plastic Shed Bases are ideal, as is solid concrete or concrete slab.

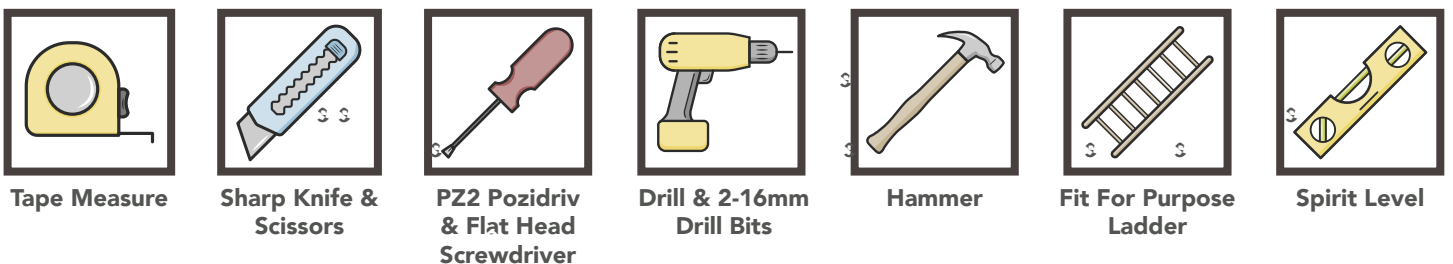


If you have an existing base and think it is suitable for your shed to be placed on, it is important to check that it is level and **does not deviate by any more than 15mm** from edge to edge. If this is not the case, the building will tilt, causing gaps to appear in the section and the roof, door, and window to misalign.

There is more information on base preparation on our website www.forestgarden.co.uk

TOOLS REQUIRED

We recommend using the following tools (**not supplied**):



We recommend getting everything aligned properly before creating together and that the **screw holes are pre-drilled** at this stage to **avoid splitting the timber**. We do not provide pre-drilled holes due to the nature of expanding and shrinking timber, which can cause pre-drilled holes to misalign.



IMPORTANT

Assembly requires 2+ adults.



REMINDER

Always pre-drill before creating.

PLEASE KEEP PLASTIC BAGS AND SMALL PARTS AWAY FROM BABIES AND CHILDREN.
TO AVOID DANGER OF SUFFOCATION, PLEASE KEEP THE PROTECTIVE FILM AWAY FROM BABIES AND CHILDREN.
CHECK AND TIGHTEN ALL THE FIXINGS APPLIED TO THIS PRODUCT ON A REGULAR BASIS.

CARE & ATTENTION

To help you get the most out of your product, it is essential to know a little more about the properties of timber, how it behaves normally and how it should be maintained over time. Wood is a natural, renewable material for construction because it is a natural product that has the ability to change in the environment.

THINGS THAT YOU MIGHT SEE IN YOUR PRODUCT



Movement, Twisting & Warping

Wood contains a natural level of moisture. As the moisture level in the surrounding air mass changes, the panel will change its shape as the porous fibres shrink. This can be exaggerated during prolonged periods of dry weather. Movement and gaps in timber products are normal, in most cases the wood will return to its original form once the high temperature subsides and there is more moisture in the air. Similarly, in the winter months, the opposite may occur with wood swelling.



Expansion, Contraction, Splits & Cracks

All timber will expand and contract according to its environment. As a result of this expansion and contraction, it is very common to see splits and cracks developing in the wood. Splits are common during the spring and summer months as the wood begins to dry out. The outer surface dries first and contracts, contracting over a still expanded core of the wood. The result of this is that splits and cracks appear along the grain of the wood. The splits are not a fault and do not affect the structural integrity of a product.



Mould & Blue Stain

Mould is a surface-dwelling fungus that feeds on the nutrients and debris contained in the surface cells of timber. The most common problem associated with mould are discoloured timber and an increase in permeability of the timber. Blue stain is part of the same family but penetrates deeper into the structure of the timber. It gives the timber a dark blue, green or blackish appearance. The wood does not cause the timber to rot. Keep the building well ventilated to avoid mould.

Advice On Felt Handling & Usage

Roofing felt is flexible at temperatures above 5°C. In cold temperatures extra care must be taken when handling and installing to prevent cracking and damage to the felt. The felt should not be rolled, folded, or used in temperatures lower than 5°C. In cold temperatures the felt should be stored above 10°C (indoors) for 24 hours prior to use. Felt must be lifted, not dragged, and should be stored on its end on a dry surface.

8 TOP TIPS TO ENSURE YOUR SHED IS FULLY WATERPROOF

1 POSITION YOUR SHED IN THE BEST LOCATION IN YOUR GARDEN

Choose an area where there are no trees and which are not overhanging. Position it away from trees and cut back any overhanging foliage which can cause moisture to be rapped against the wall and debris to collect on the roof.

2 RAISE YOUR SHED OFF THE GROUND

Ideally, a concrete base should be used to prevent the shed from sitting on the ground. This will help prevent moisture from pooling. Timber bases can also be used. Raise the shed 50mm above ground level.

3 SEAL THE BEARERS

If using wooden bearers, we recommend treating them with a preservative or oil. This will help protect the bearers from the ground to prevent moisture rising.

4 USE AN END GRAIN PROTECTOR

To protect the corner and panel joints, an end grain protector can be applied.

5 SEAL THE PANELS & WINDOWS

Use a flexible silicone sealant around windows to prevent water ingress. This can also be used where two sections of the shed join together. Apply in the rain.

6 CONSIDER ADDING GUTTERS

Adding gutters around the fascia of the shed will redirect rainwater away from the shed's foundation.

7 KEEP VENTILATED

Good airflow around the perimeter of the shed and regular ventilation inside the shed will help prevent mould and mildew.

8 CONSIDER A WATER SEALANT

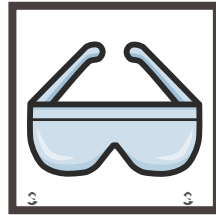
You may also consider painting or treating the exterior with a water sealant. This will help reduce the risk of water ingress. We would recommend using 'Boik Cemen One Water Seal' which can be purchased from multiple DIY stores.

HEALTH & SAFETY

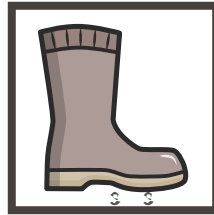
We strongly recommend having PPE (Personal Protective Equipment) issued through your employer or your own provider. Do not exempt yourself from wearing PPE.



Cut-Resistant Gloves



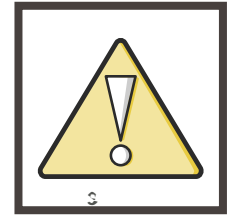
Protective Glasses



Protective Boots



Protective Mask



Working At Height

THE ROOF OF THIS BUILDING IS NOT A LOAD BEARING STRUCTURE.

The components provided may be heavy. Please lift with care and with a minimum of 2 people. Please be careful not to pack or load components as they may have a maximum load rating. Do not exceed this rating.

TREATMENT INFORMATION

The treatments applied to our sheds are long lasting and provide protection against fungal decay and rot. This makes the sheds more durable, long lasting and more resistant to weathering.

Pressure Treatment
Pressure treatment is to provide protection against rot
Pressure treated sheds do not need to be re-treated every year
25 year guarantee

Use the 'waterproofing top tips' to increase the longevity of your shed. See our website for more information at www.forestgarden.co.uk/guide-to-our-products/

Treated timber contains biocidal products for control of wood destroying organisms.

Active Ingredients - Boric Copper Carbamate, DDT Carbamate, DDT Chloride.

- Wear gloves when handling.
- Avoid inhalation of dust.
- Do not come in contact with drinking water or food.
- Do not use for animal bedding or in fish ponds.
- Dispose of treated wood responsibly.
- Treated products cannot be recycled as the wood is no longer in its original virgin state.
- Once the treatments have dried there is no risk of toxic contamination. The risk would come from the treatments before they are added to our products.

DISCLAIMER

Check you have all your parts prior to assembly.

Timber is a natural material of which will shrink and swell because of varying moisture content.

Elements of damaged parts may be deemed to be acceptable, and his may affect the remedial work required.

If the product is not constructed in accordance with the instructions, or installed in an unsafe manner (e.g. painted), the manufacturer cannot be held liable for any resulting damage.

If you are organising a third party to install your shed, it is best to check the liability immediately on receipt of your order, or give your installer a copy of this disclaimer.

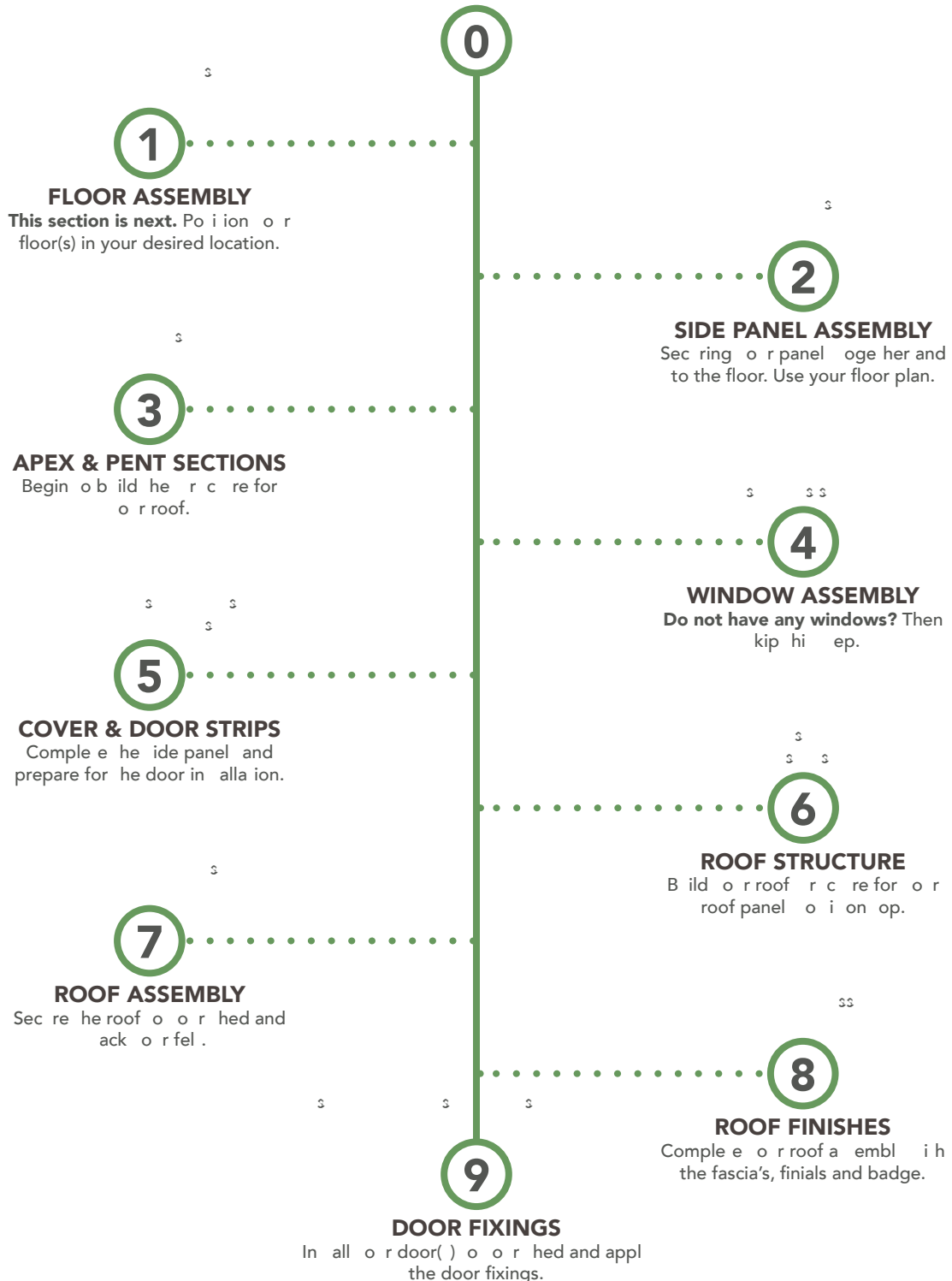
ASSEMBLY GUIDE

We have provided **several fixing packs** for your build. Each fixing pack will contain a set of assembly instructions and its fixings for each step. Each set of instructions will include a **number**, which will link to the assembly guide below so you can refer to the correct order.

These fixing packs are generic, to suit the modular shed range. Visuals in each of the **steps are for reference only** and may slightly vary depending on the shed you have chosen. Any major differences will be outlined in the spec. We have designed them to be as simple as possible to follow, but **if you have any issues, please contact our aftersales team. Check your parts list prior to assembly**, of which can be found on your shed label.

BEFORE YOU START

You are here. This section provides the technical and preparation information.



IDENTIFY YOUR CHOSEN SHED


From the floor plans below, identify your shed based on the **width, depth** and **roof type** provided. You will need this to identify the side panel position before assembling your shed. **Use the key as a guide.**

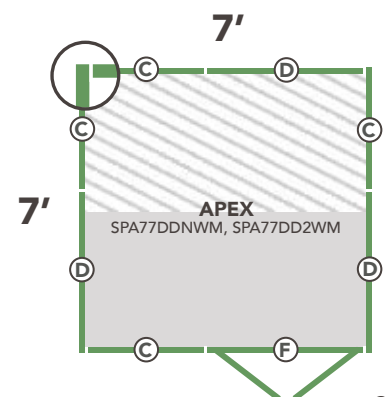
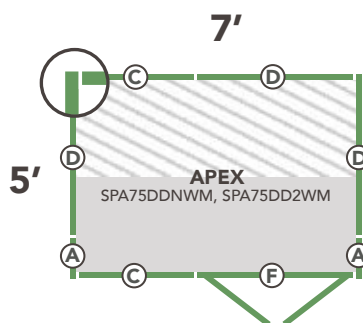
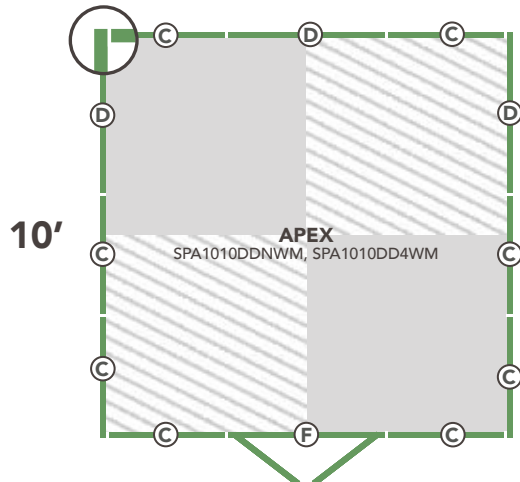
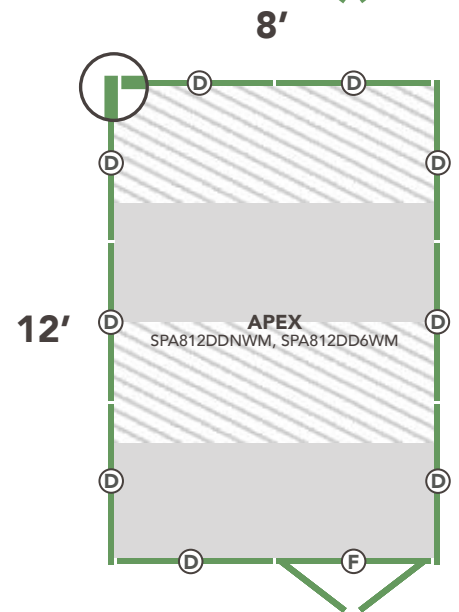
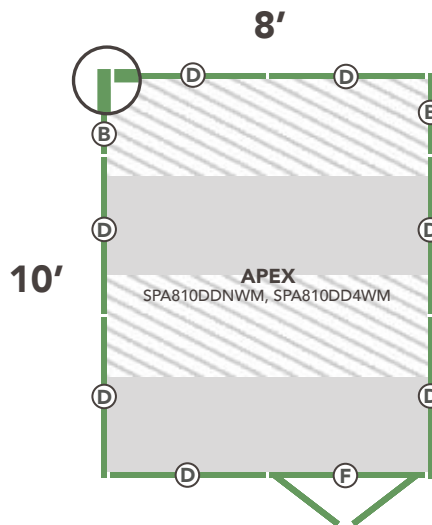
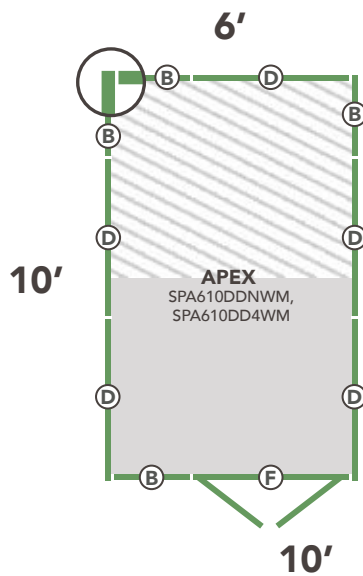
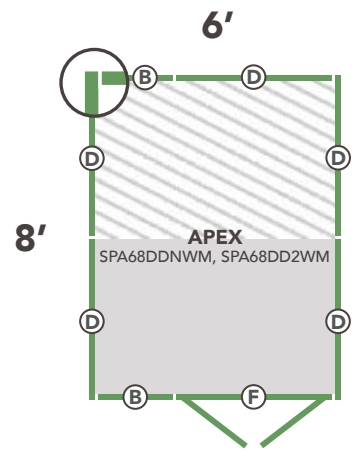
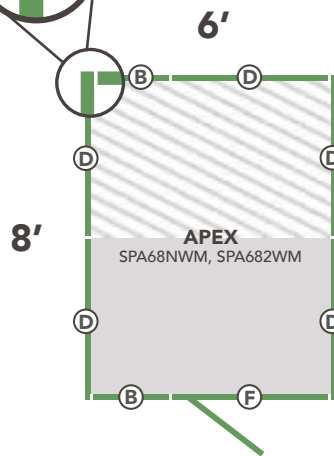
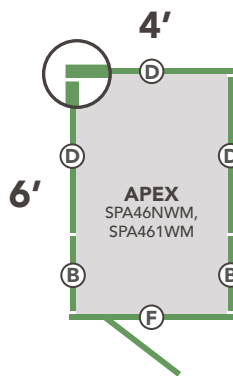
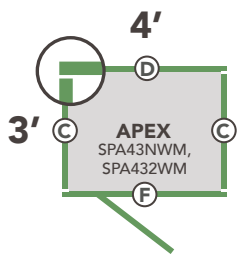
KEY

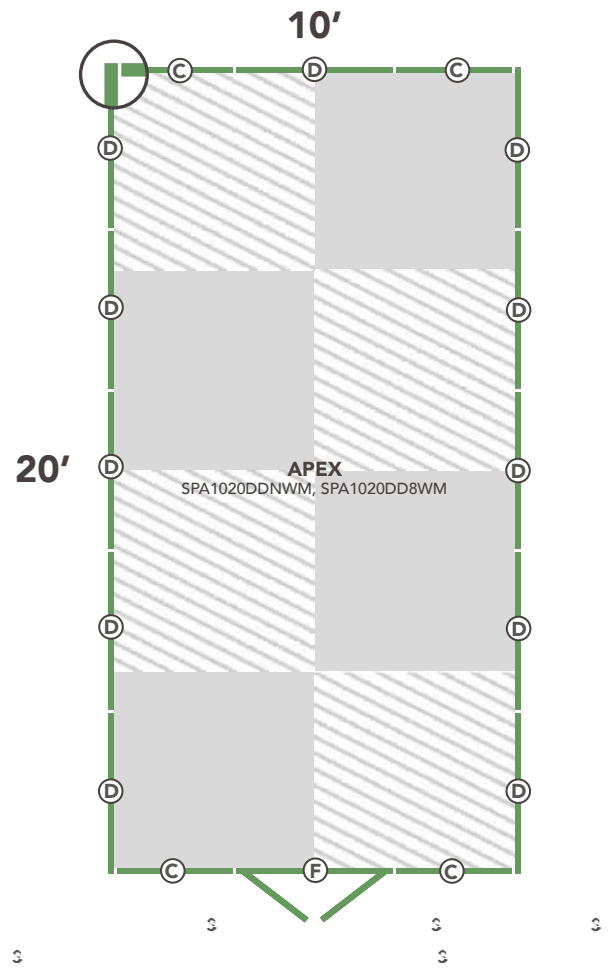
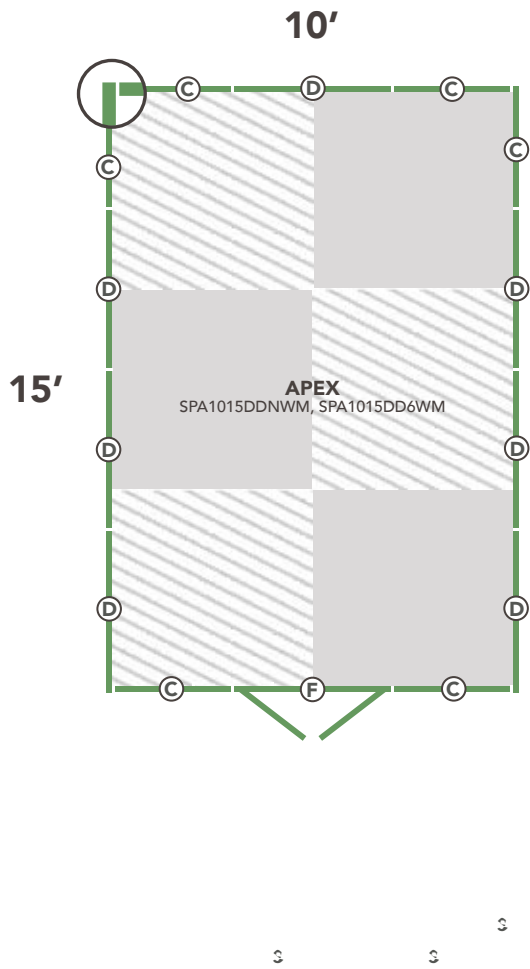
- (A)** 1ft Panel (295 x 1831mm)
- (B)** 2ft Panel (590 x 1831mm)
(With & without windows)
- (C)** 3ft Panel (885 x 1831mm)
(With & without windows)
- (D)** 4ft Panel (1180 x 1831mm)
(With & without windows)
- (E)** 3ft Door Panel (885 x 1831mm)
- (F)** 4ft Door Panel (1180 x 1831mm)

PLEASE NOTE

Same size panels are interchangeable. Hinge or rangle door on opposite side.

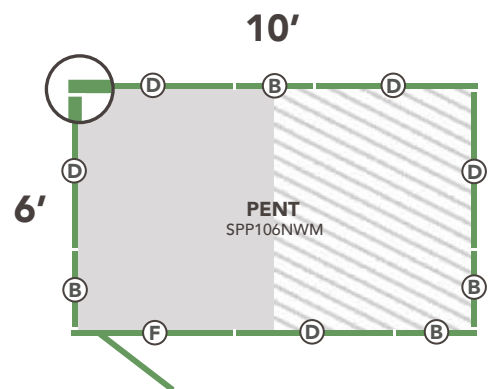
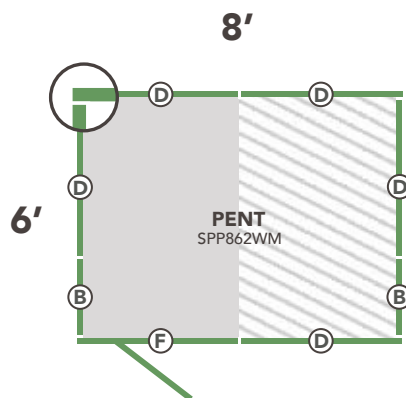
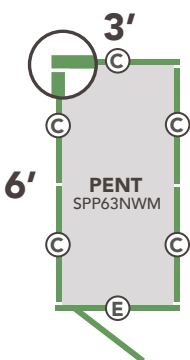
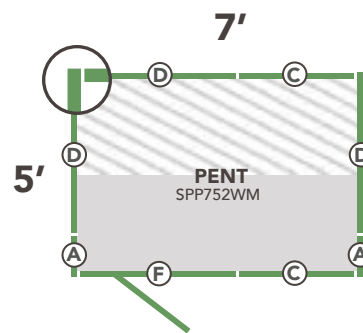
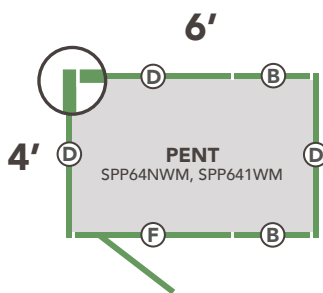
 Indicates the panel orientation during construction. This will apply to all of the corners for your chosen shed.

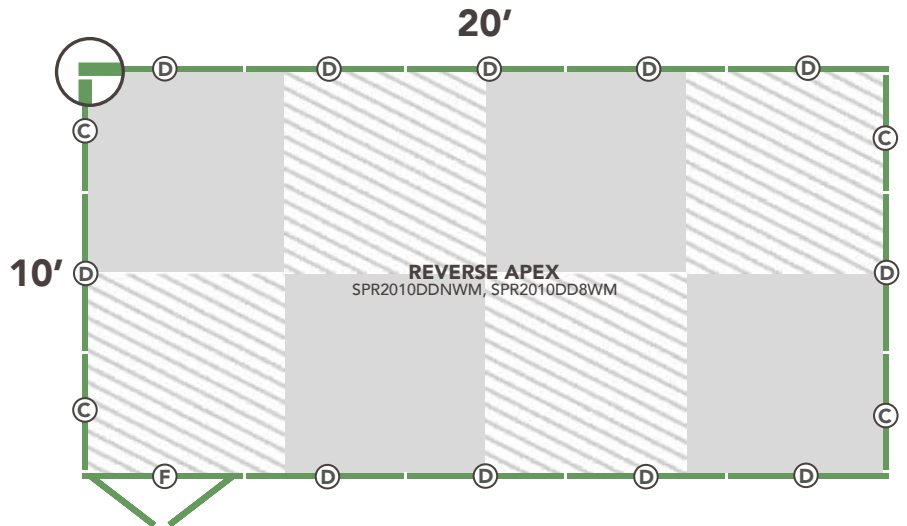
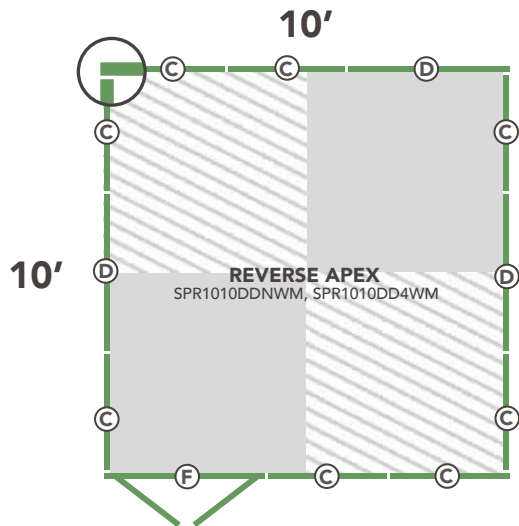
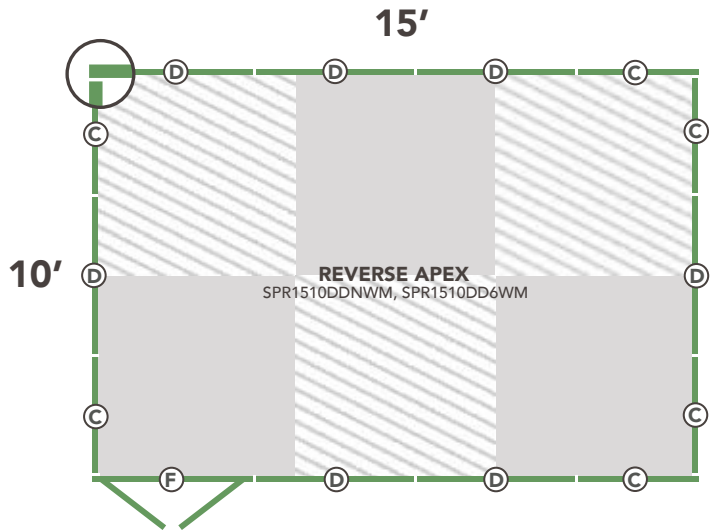
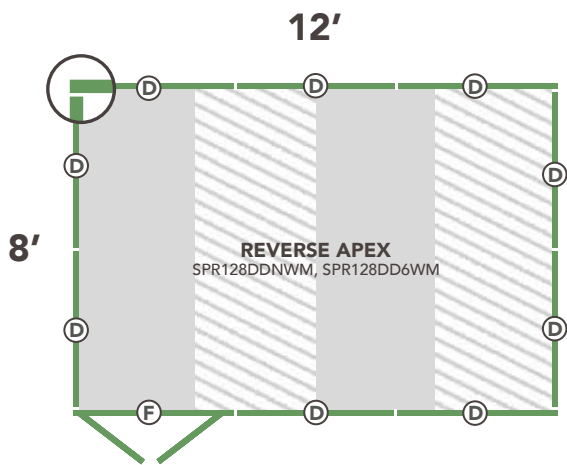
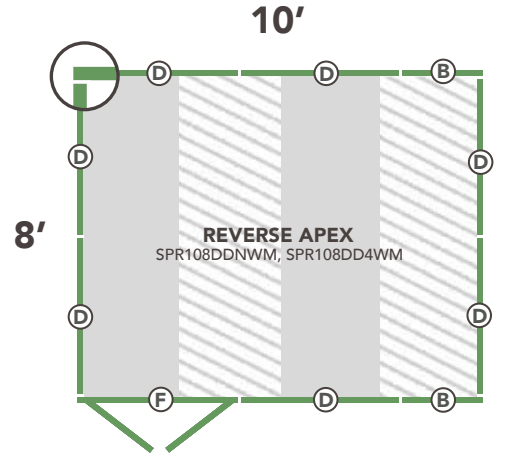
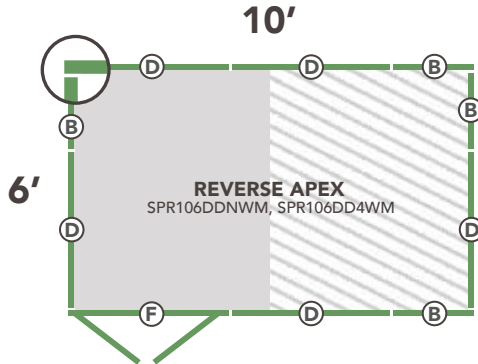
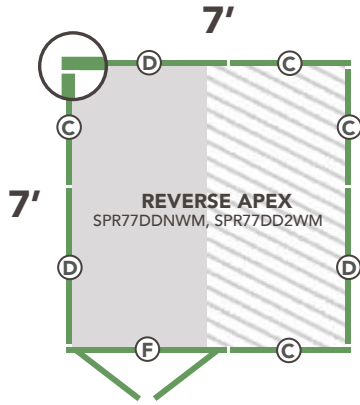
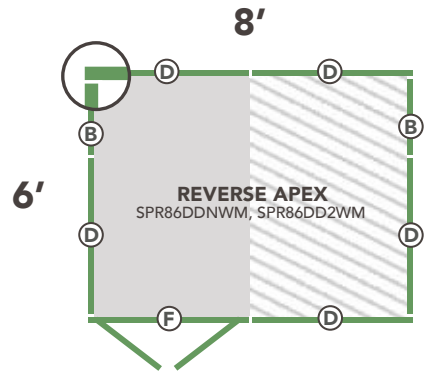
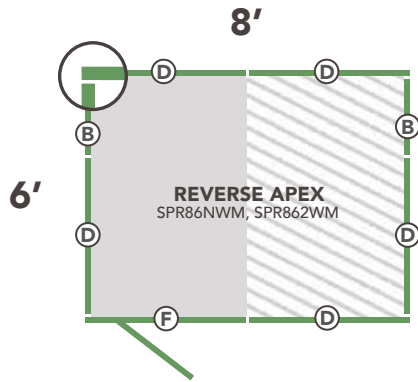
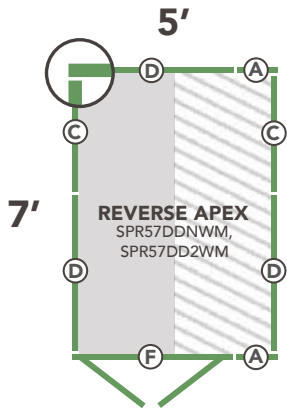
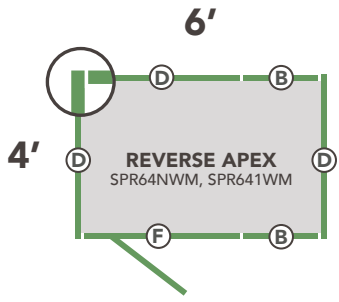




INFILL PANELS (PENT SHEDS)

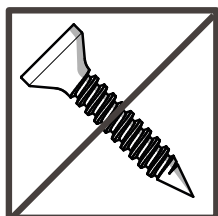
Pent sheds will have 'Infill Panels' which are attached to the top of the Side Panel. They will be the same width as the panel beneath. They are used to increase the height of the panel to create the angled roof. Lay the eave on top of your Side Panels around your shed floor(s) for preparation. **Follow the assembly steps for more details.**





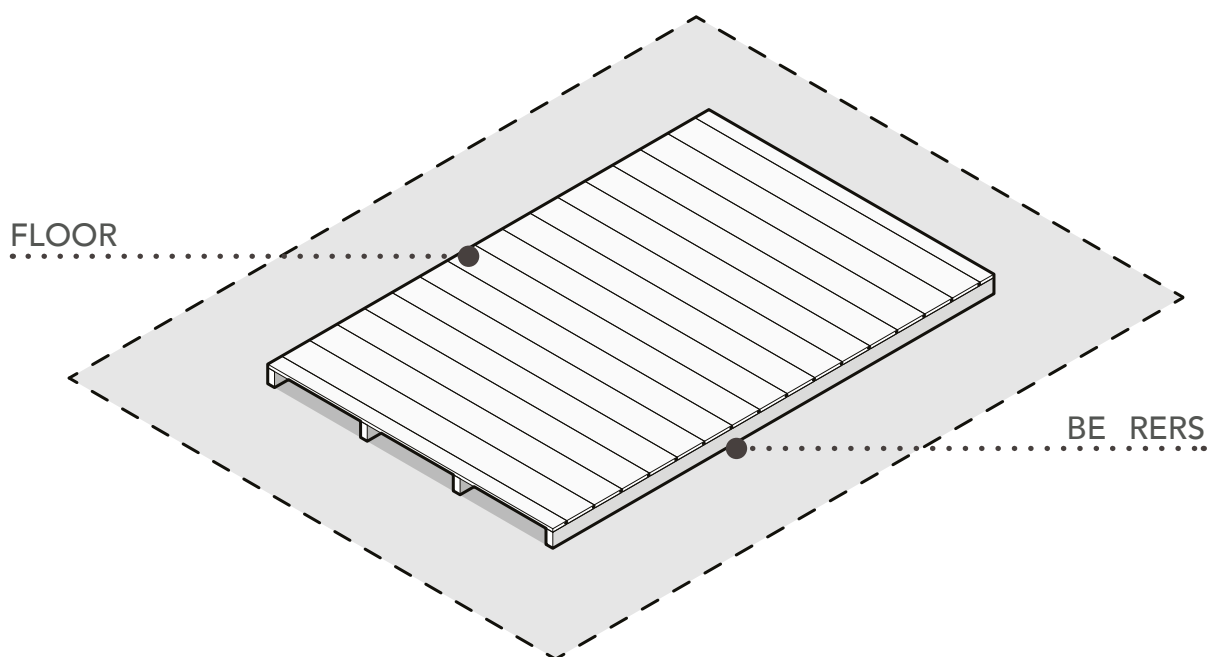
SHED INSTRUCTIONS

FLOOR ASSEMBLY (1)

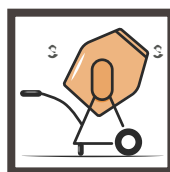
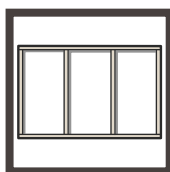
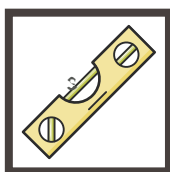


THERE ARE NO FIXINGS FOR THIS SECTION.

Look through the different material and follow the step here in order to choose the shed.



SS

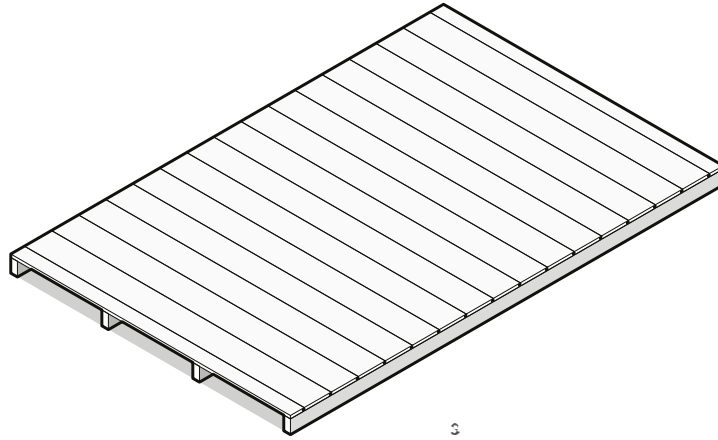


SS

Before assembly, **your Floor must be firm and level** to ensure the shed line up and is assembled properly. We recommend that there should be **access to all sides of your shed for assembly and any maintenance.**

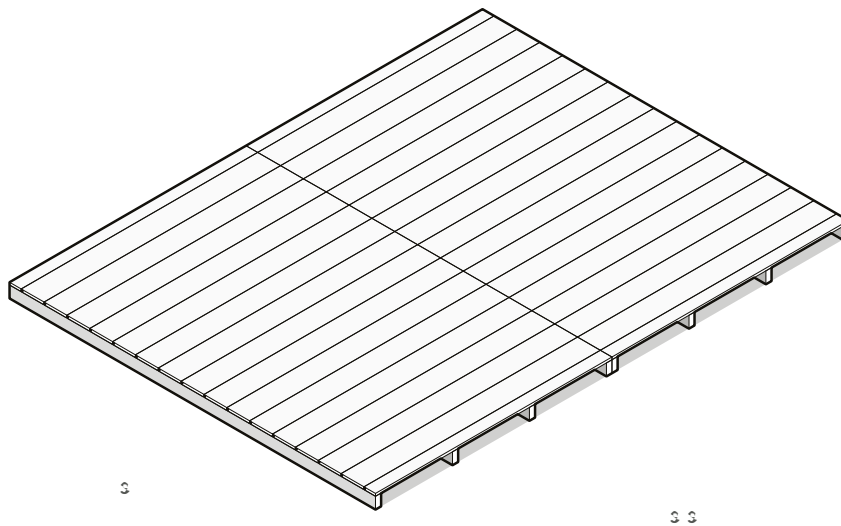
STEP 1: POSITION FLOOR(S)

Due to the health and safety concern of the Floor height, we **do not** advise to secure the floors together. If you wish to secure the floors together, you do so at your own risk.



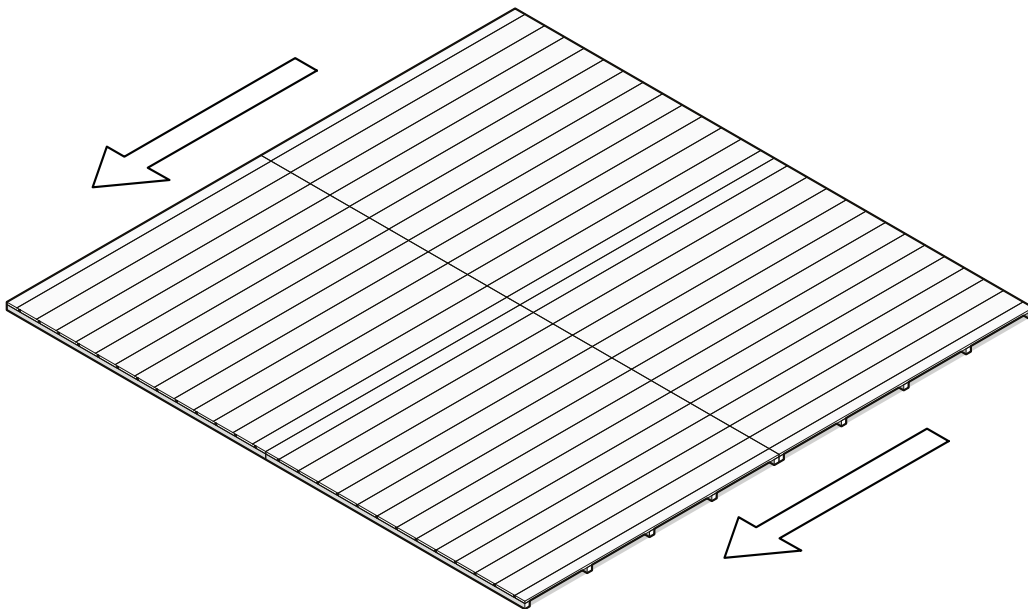
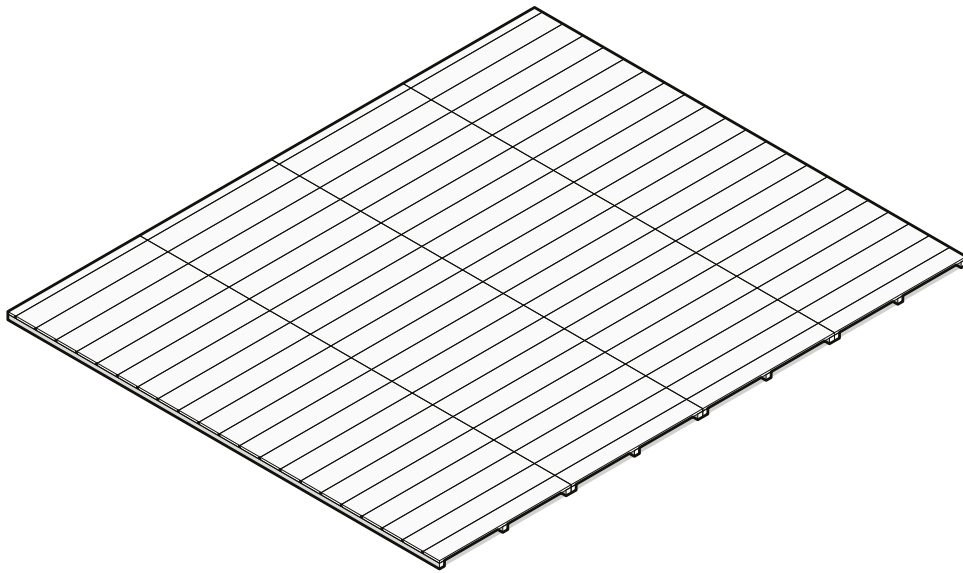
SINGLE FLOOR

Position the Floor in the ordered location.



DOUBLE FLOOR

Position the Floors in the ordered location. **Butt the Floor bearers together** and ensure they are flush on each side. The **bearers** will be bedded together **along their side face** as shown above.



3

3 3

MULTIPLE FLOORS

Position the Floors in o r de ired loca ion. **Butt the Floor bearers together** and ensure they are flush on each side. The **bearers** ill be b ed oge her **along their side face** a ho nabo e.

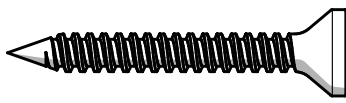
SHED INSTRUCTIONS

SIDE PANEL ASSEMBLY ()

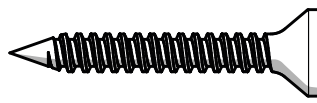
FIXING PACK CONTAINS:

FIXING PACK CODE: SHEDPANELSFP

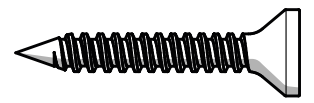
You may receive more than one of the same fixing pack to provide enough screws for the larger shed sizes.



5 60mm Screw
QTY: 3

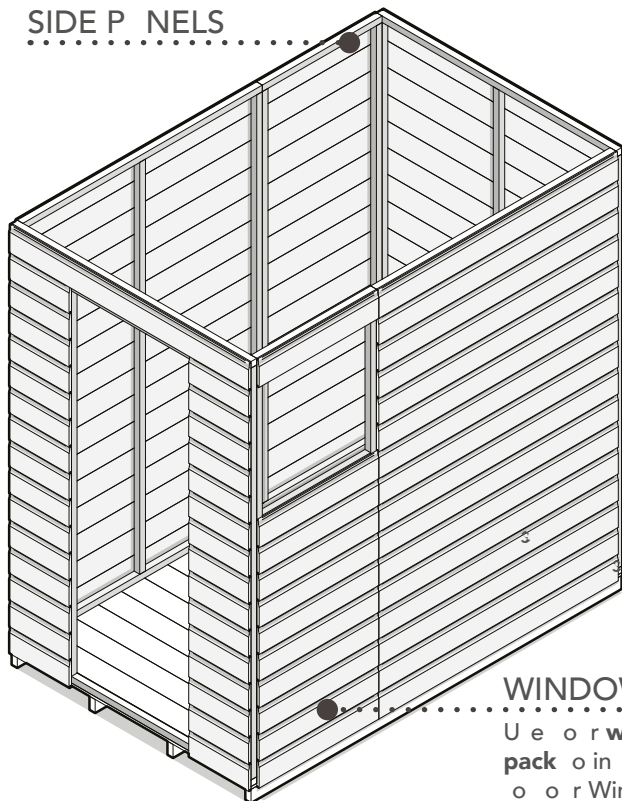


4 50mm Screw
QTY: 52



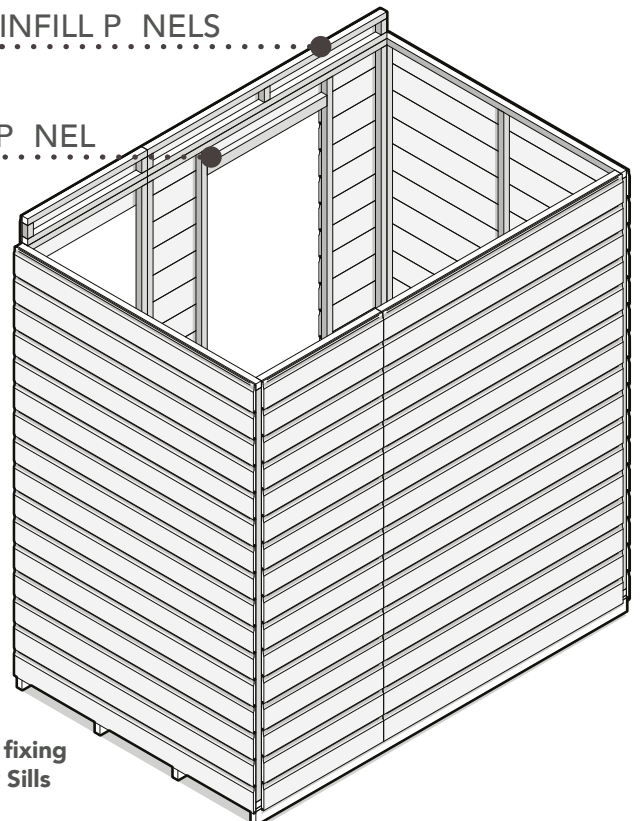
4 40mm Screw
QTY: 2

SIDE PANELS



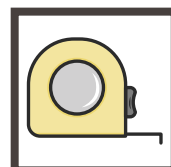
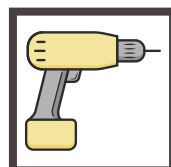
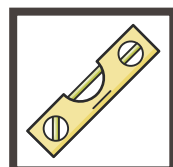
INFILL PANELS

DOOR PANEL

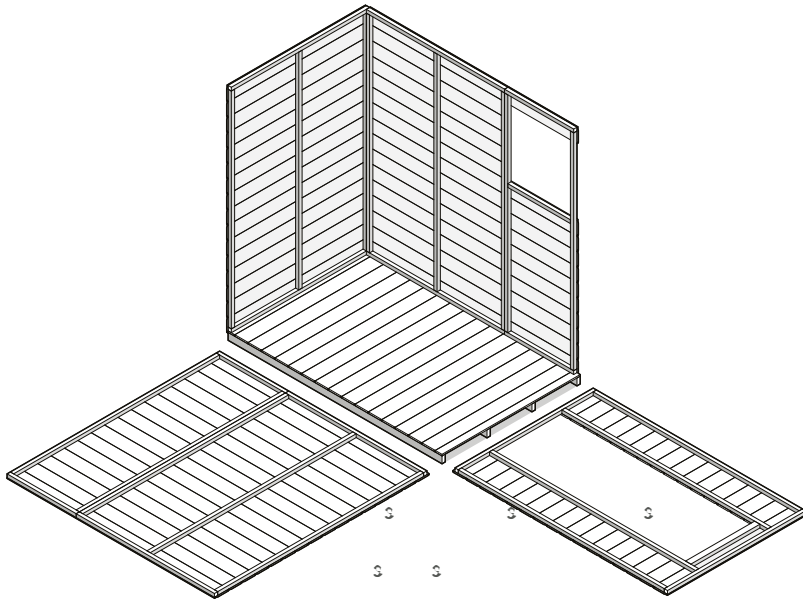


WINDOW PANEL

Use our window assembly fixing pack on all our Window Sills or our Window Panel(s).

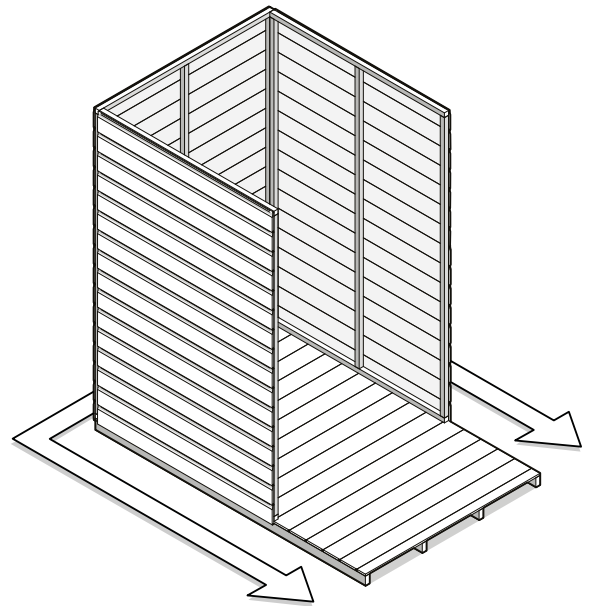


STEP 1: SIDE PANEL ASSEMBLY



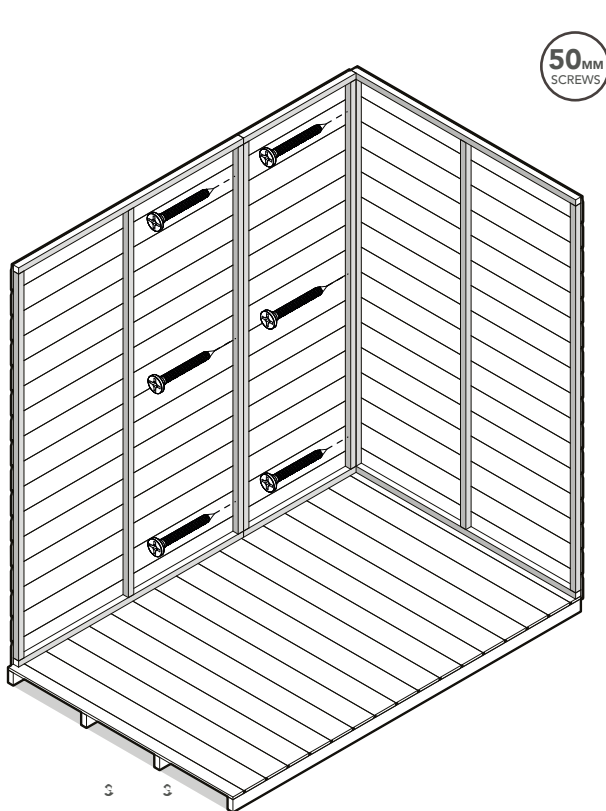
LAY OUT YOUR PANELS

Lay out the panels around the Floor () in the order of the panel configuration. Use your floor plan on your parts list to confirm panel position.

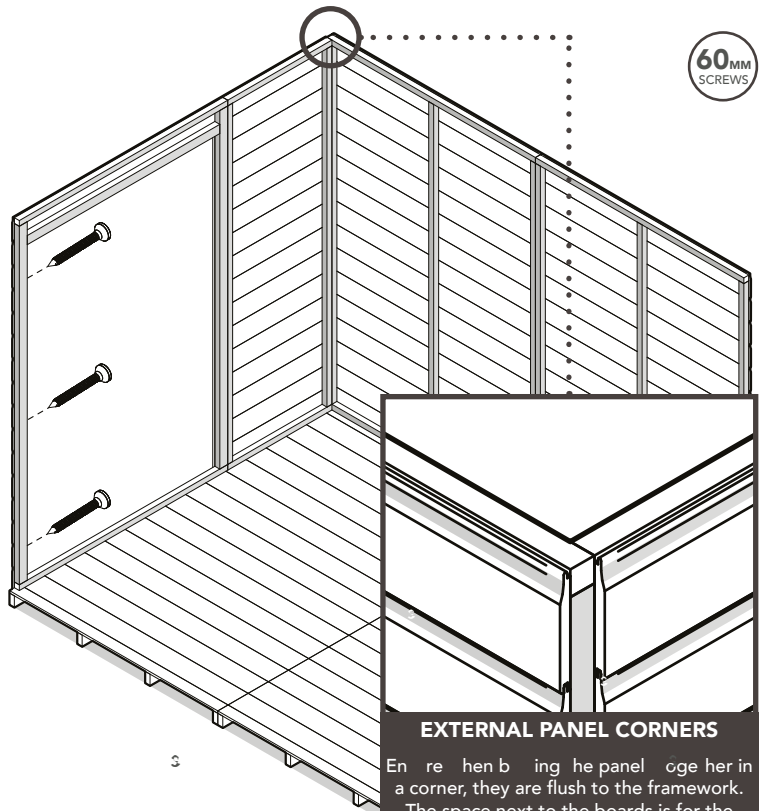


WORK FROM BACK TO FRONT

We recommend starting in a back corner and then work from the back panels to the front panels for assembly.



50MM
SCREWS



60MM
SCREWS

EXTERNAL PANEL CORNERS

Ensure when fitting the panel together in a corner, they are flush to the framework. The space next to the boards is for the Corner Strip position.

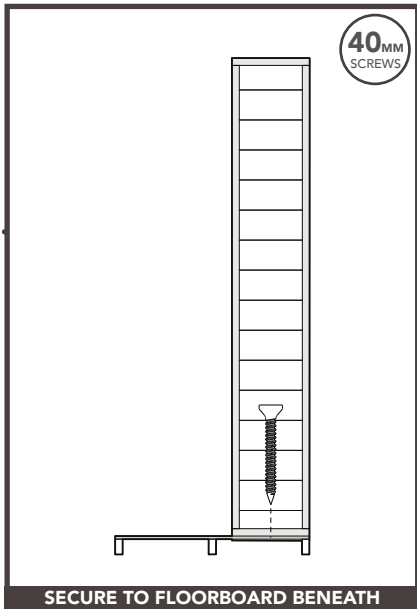
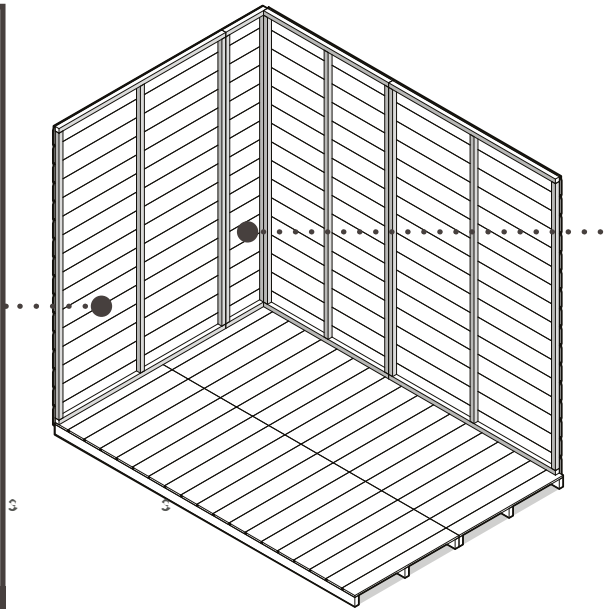
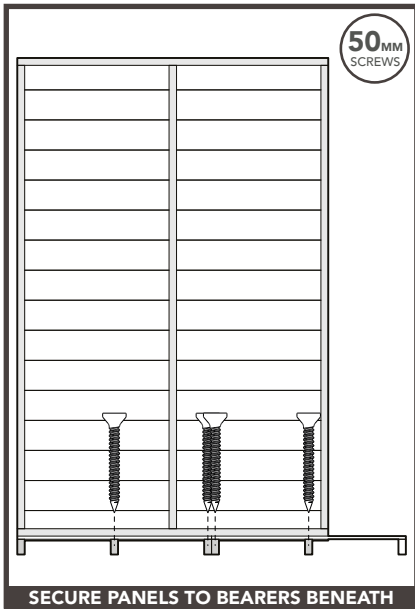
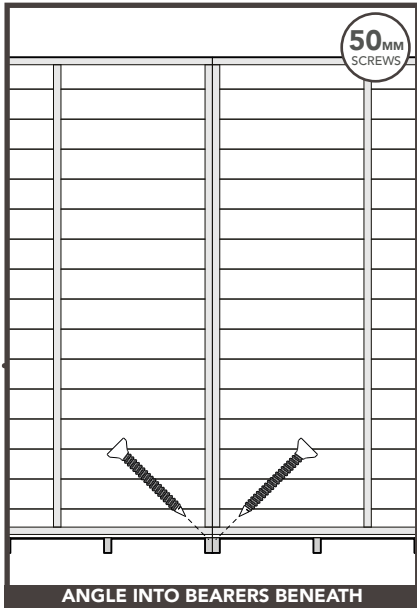
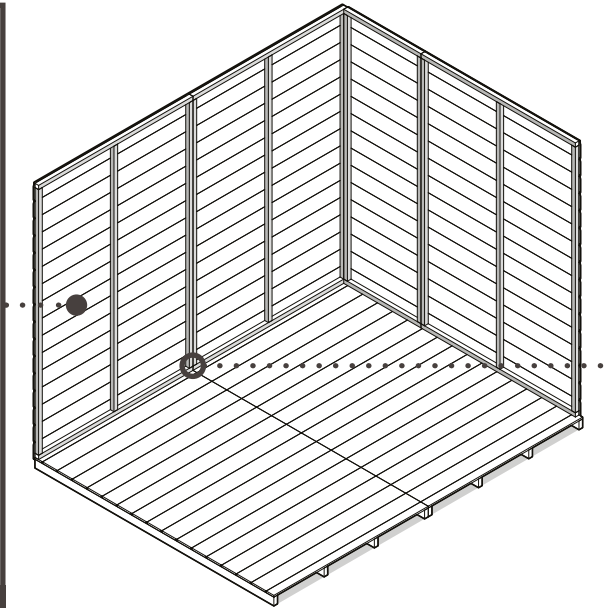
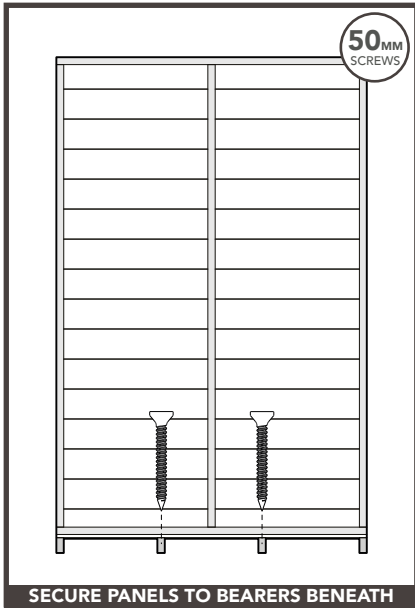
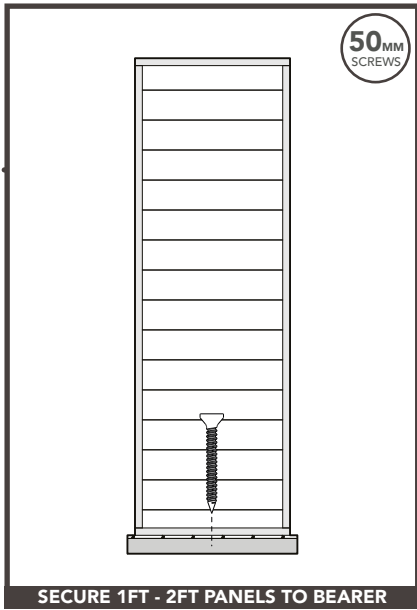
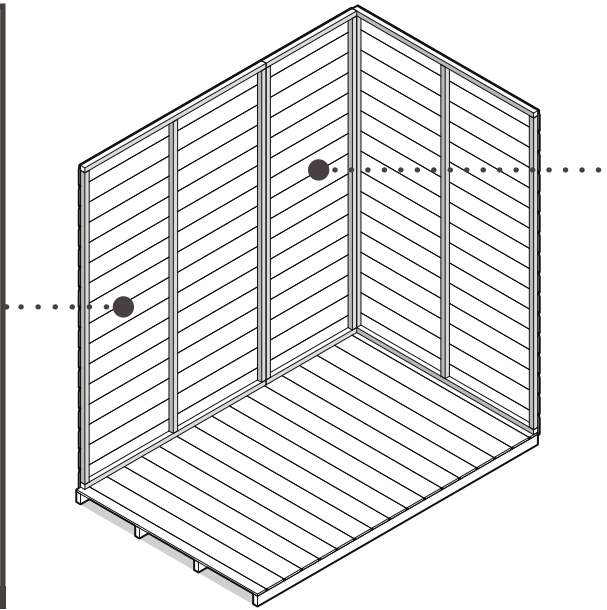
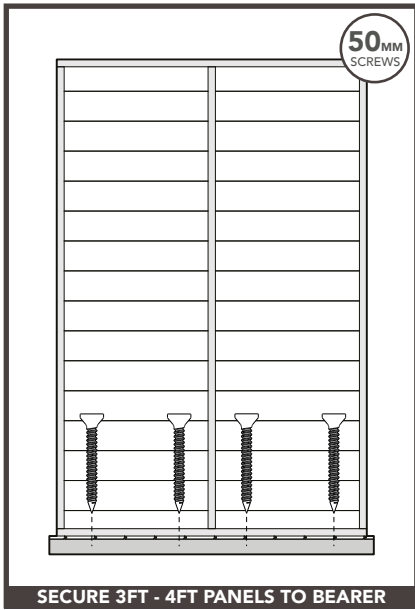
SECURE PANELS TOGETHER

Start in a back corner. Use your parts list to confirm the corner panel position. Position and secure the Side Panels together. Ensure the bottom batten on the Side Panels sit on the Floor and the bottom board is up against the Floor edge.

SECURING THE DOUBLE DOOR PANEL

For securing the Double Door Panel on a corner, use the 60mm screws as shown above. Use 50mm screws for securing all of the other panels together.

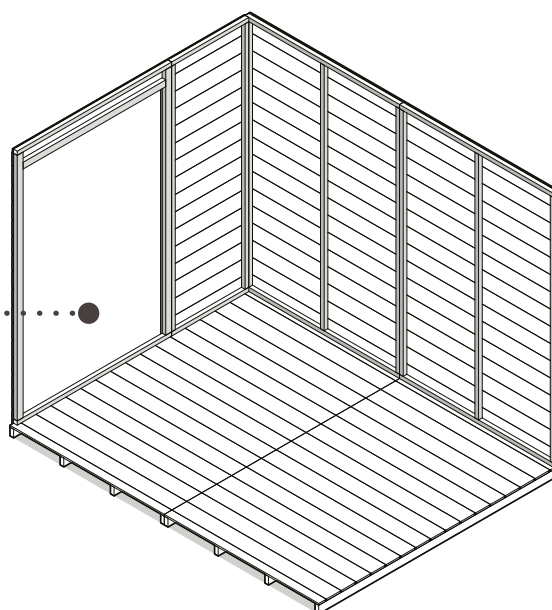
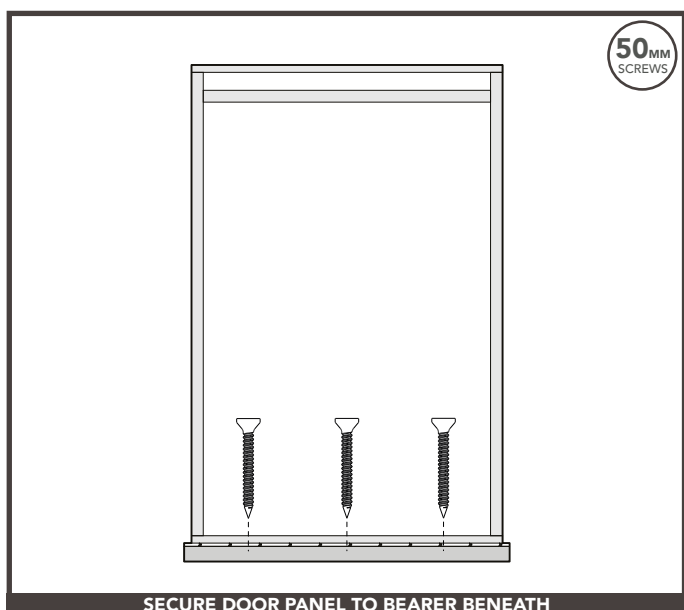
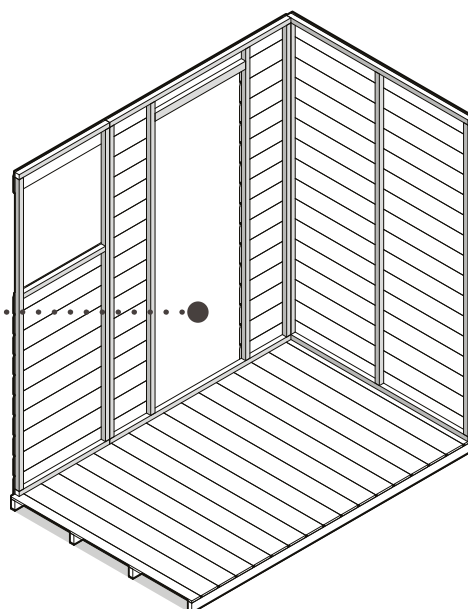
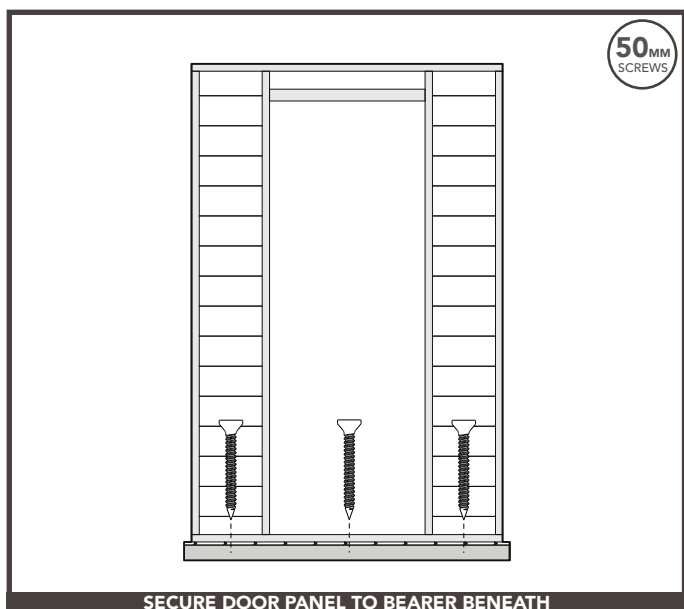
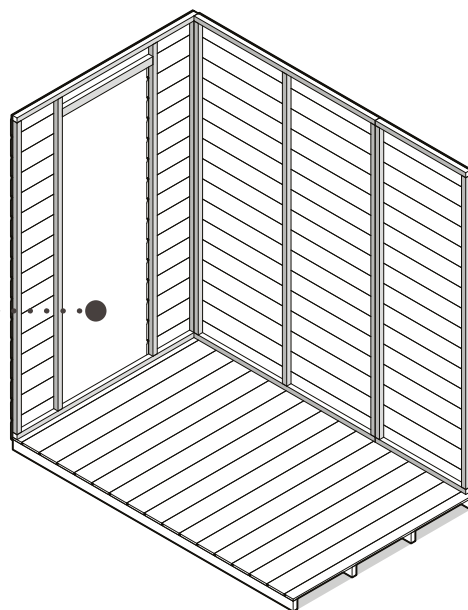
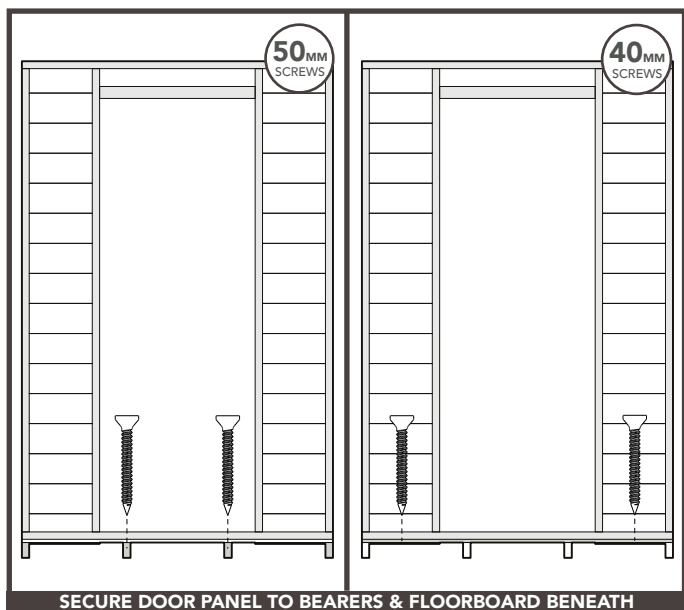
STEP 2: SECURE SIDE PANELS TO FLOOR(S)



SECURE TO FLOOR BEARERS/FLOORBOARD BENEATH

Secure the Side Panel to the Floor() by screwing into the floor bearers beneath (50mm screws).
Secure the Side Panels to the floorboards if there are no bearers beneath (40mm screws).

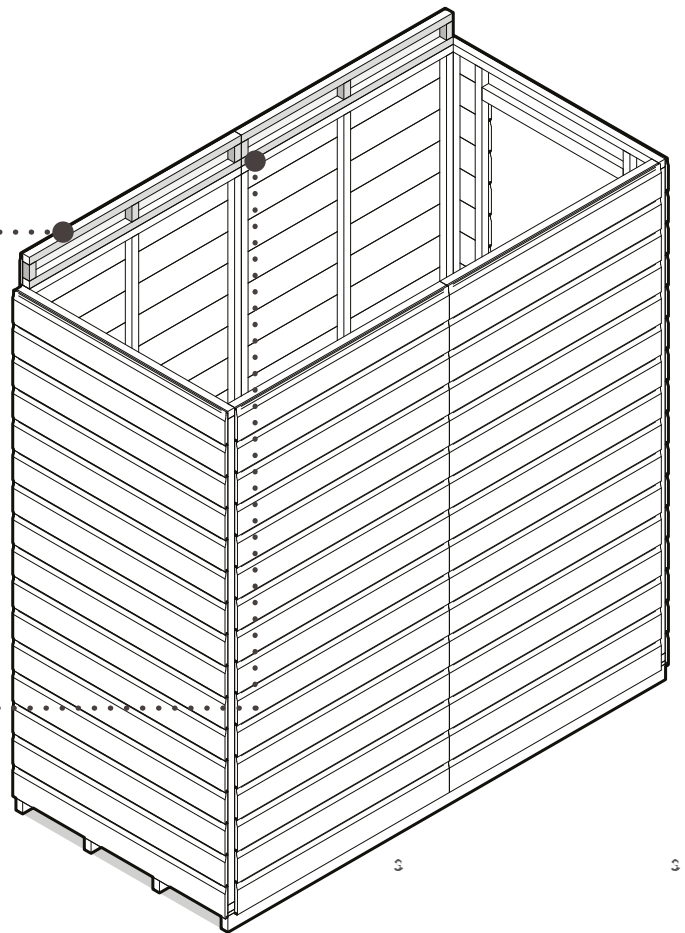
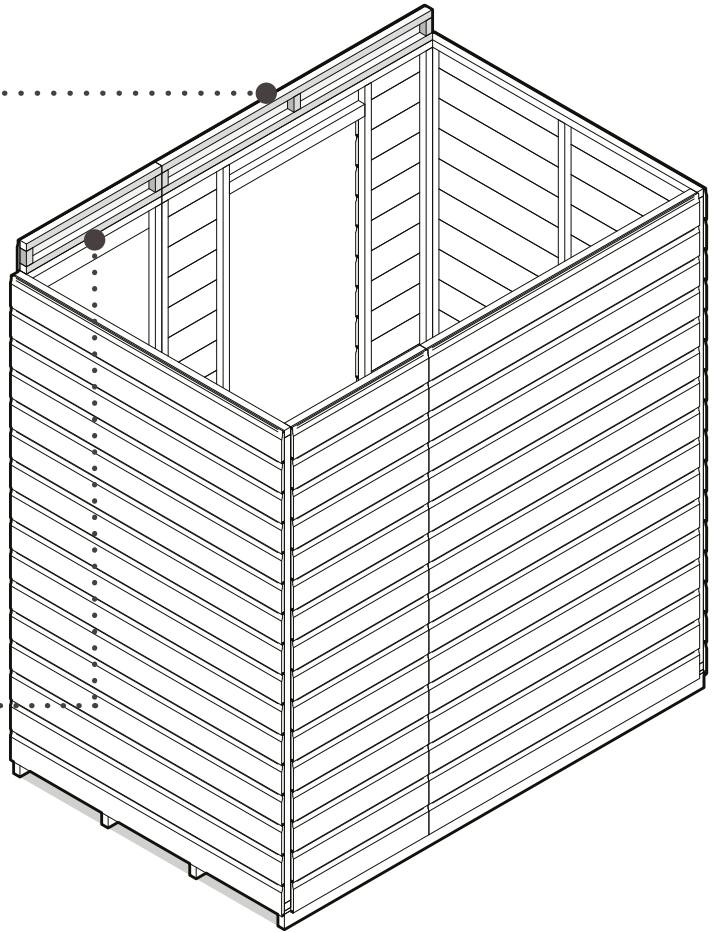
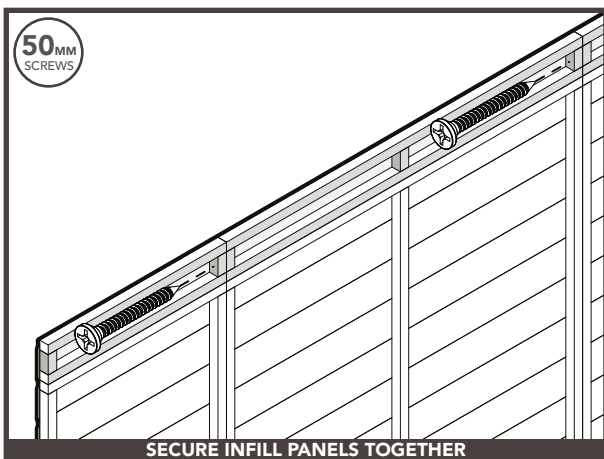
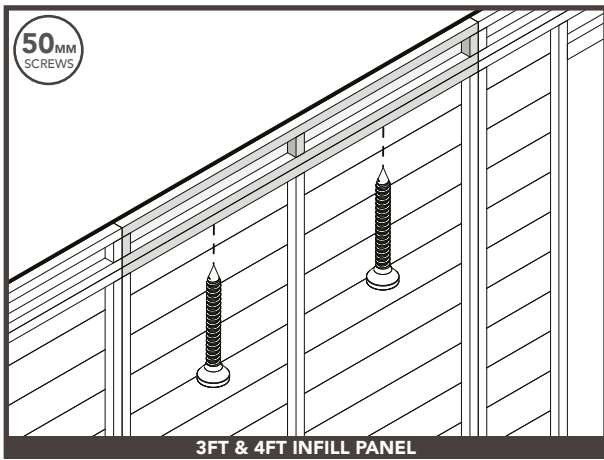
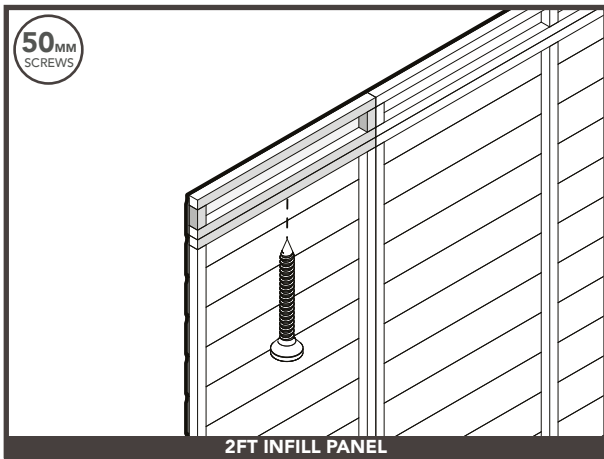
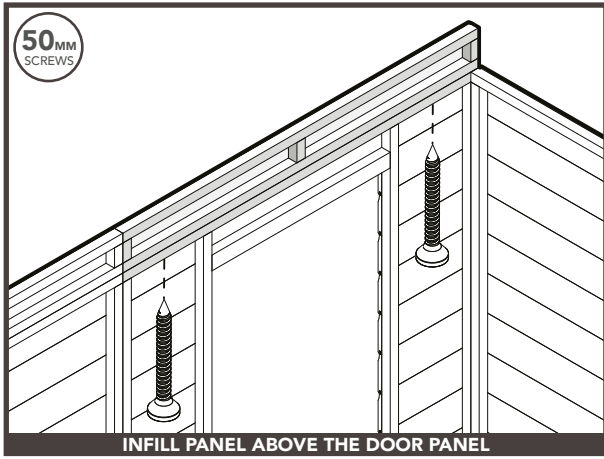
STEP 3: SECURE DOOR PANEL TO FLOOR



SECURE TO FLOOR BEARERS/FLOORBOARD BENEATH

Secure the Door Panel to the Floor by screwing into the floor bearers beneath (50mm screws).
Secure the Door Panel to the floorboards if there are no bearers beneath (40mm screws).

STEP 4: PENT INFILL PANELS



SECURE INFILL PANELS TO SIDE PANELS (PENT SHEDS ONLY)

Position and secure the Infill Panels to the top of the Side Panels. They will be the same width as the Side Panel beneath. The Infill Panels are for the roof angle on your pent shed. **Secure the Infill Panels together** once they are secured to the Side Panel.

SHED INSTRUCTIONS

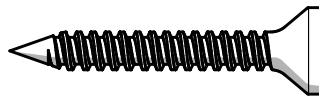
PEX & PENT SECTIONS ()

FIXING PACK CONTAINS:

FIXING PACK CODE: SHEDGABLEFP

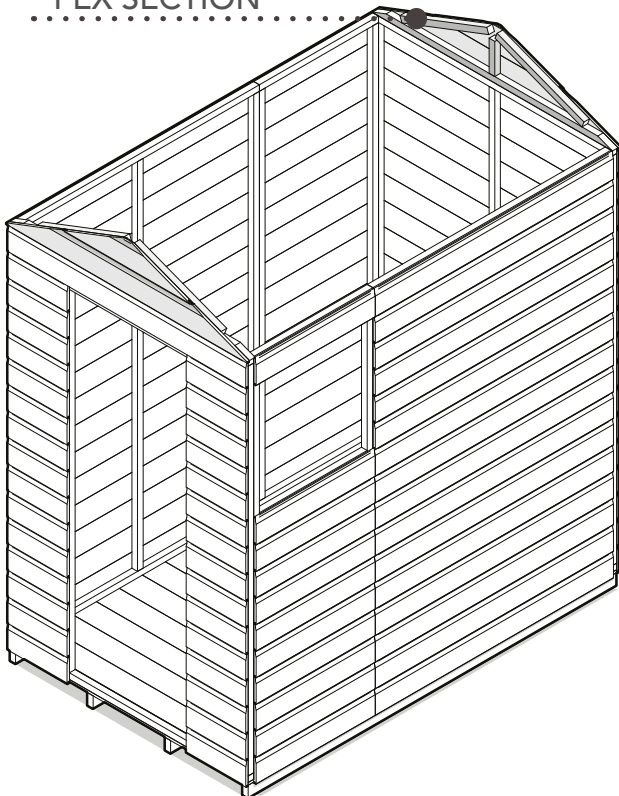
3

You may receive more than one of the same fixing pack to provide enough screws for the larger shed sizes.

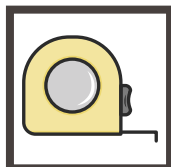
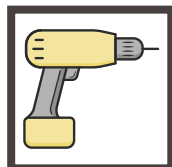
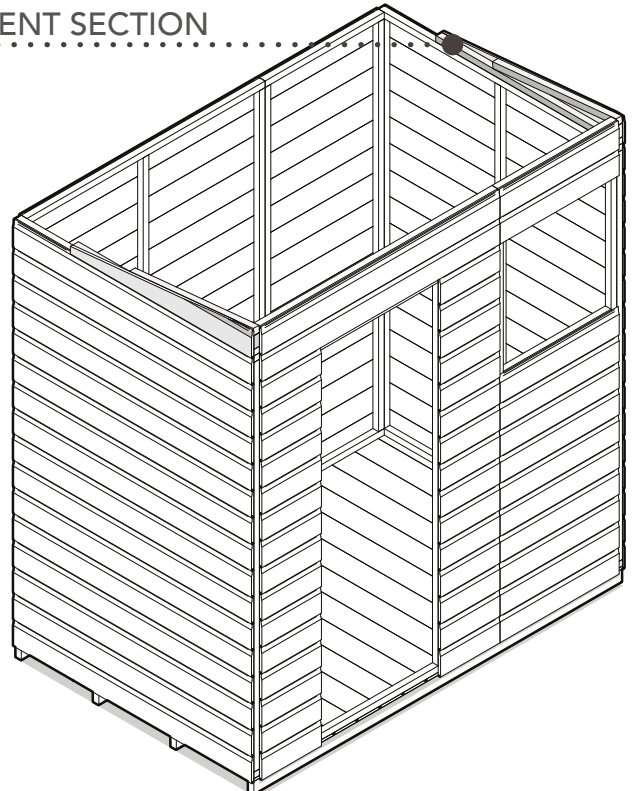


4 50mm Scre
QTY: 8

PEX SECTION

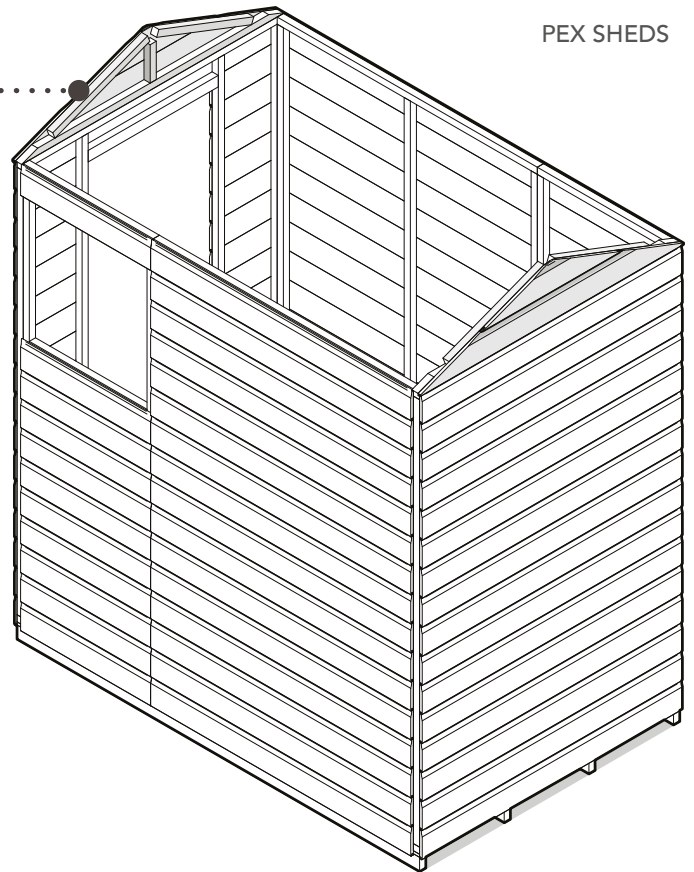
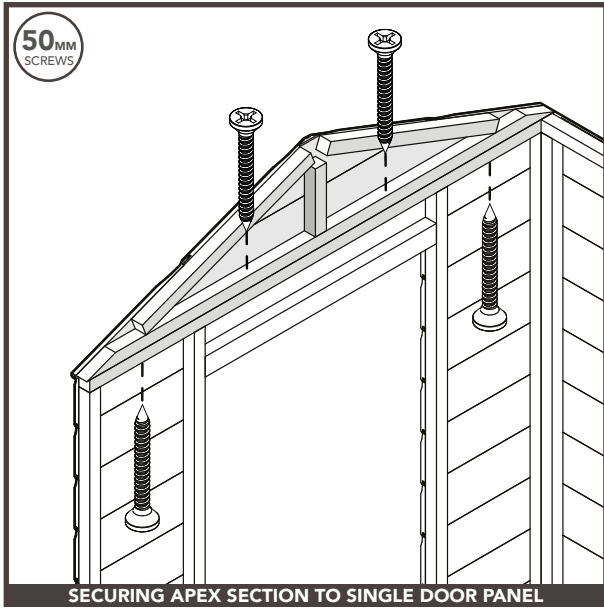


PENT SECTION

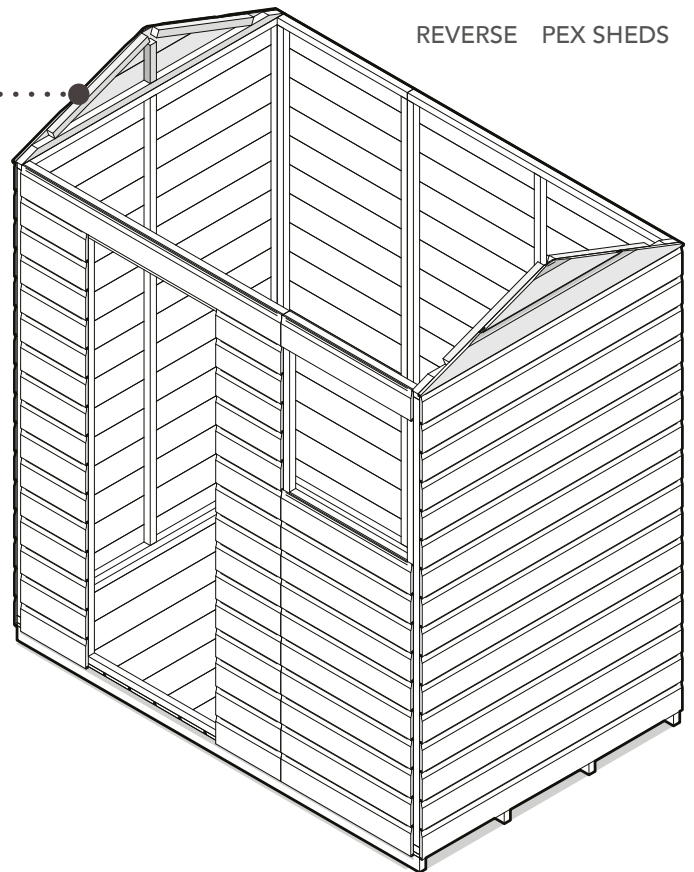
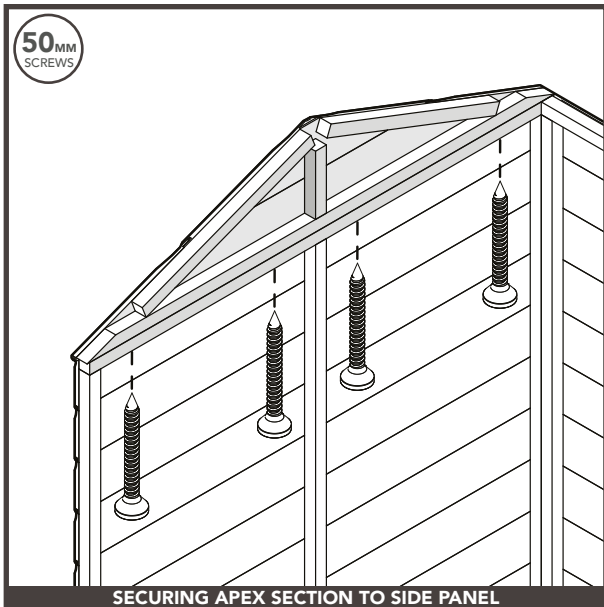


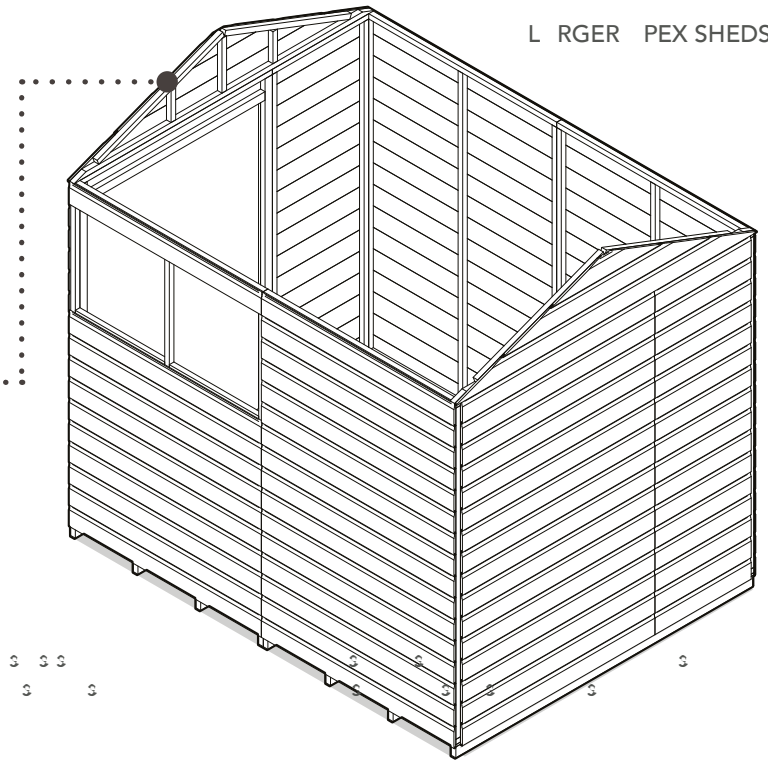
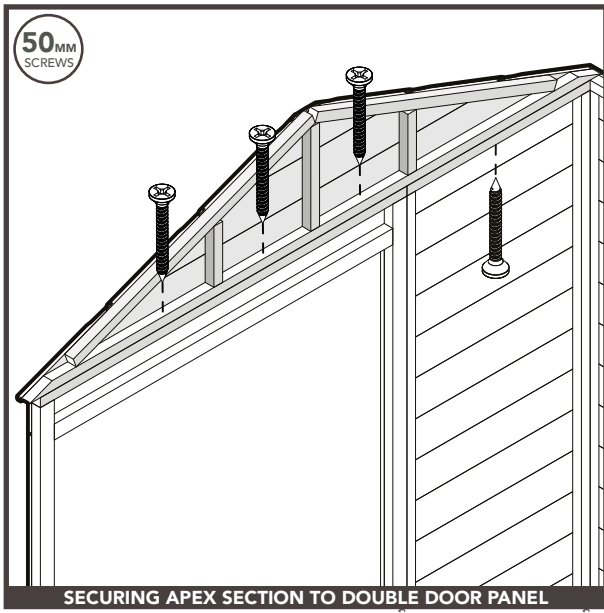
STEP 1: APEX SECTION ASSEMBLY

PEX SHEDS



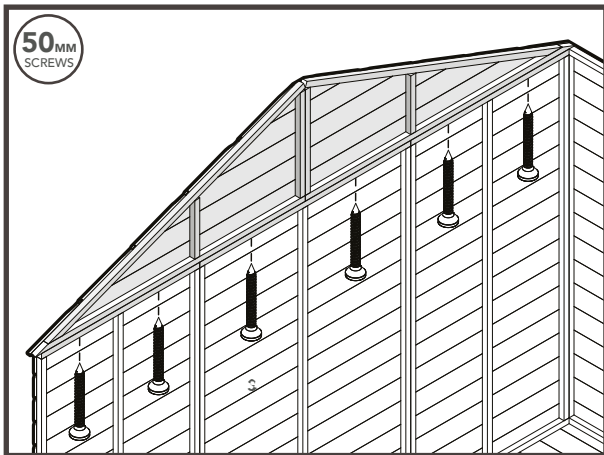
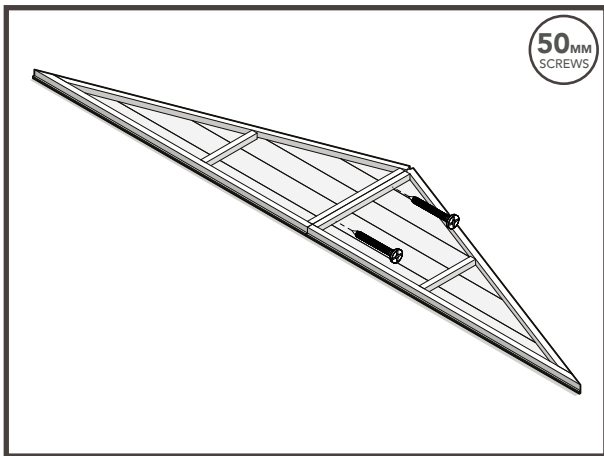
REVERSE PEX SHEDS



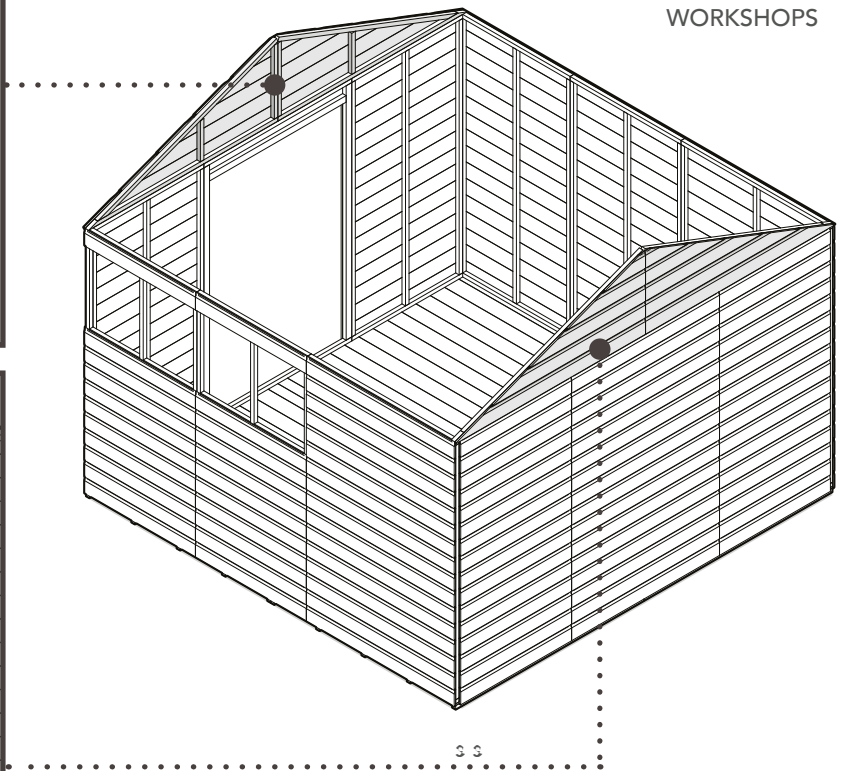


APEX SECTIONS

Position and secure the Apex Sections of the Side Panel as shown above. For an apex shed, secure the Apex Section of the front and back of the shed. For a rear apex shed, secure the Apex Section of the side of the shed.



WORKSHOPS

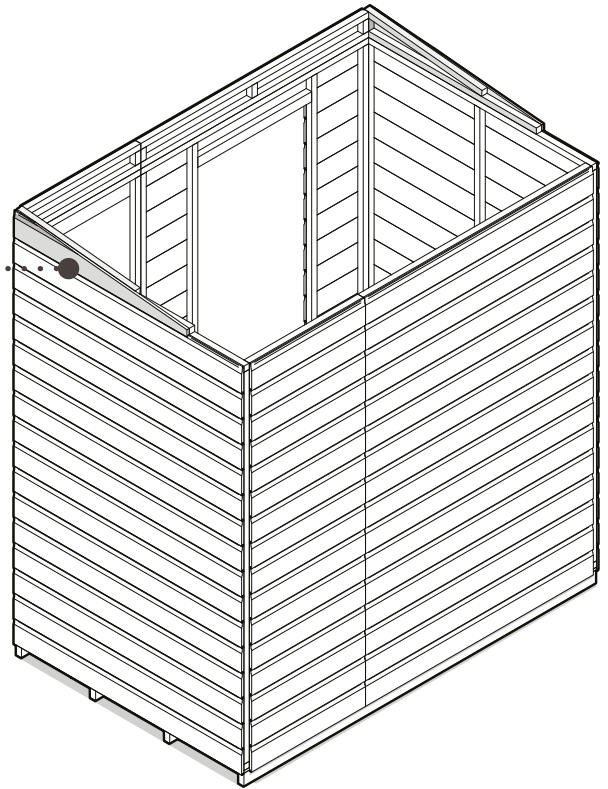
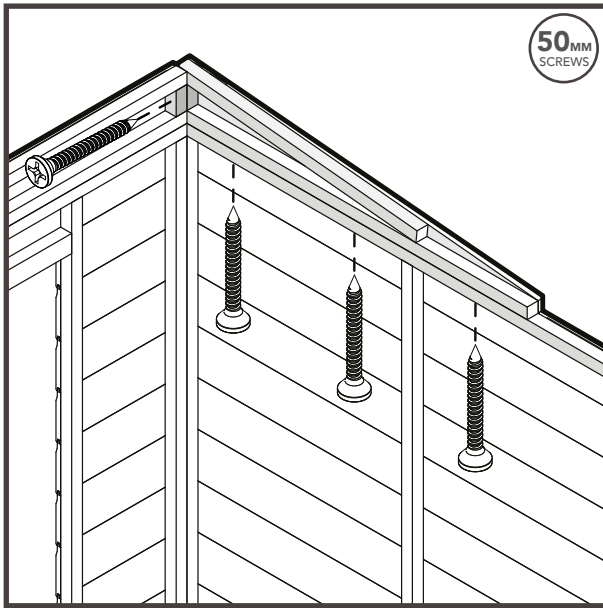


WORKSHOP APEX SECTIONS

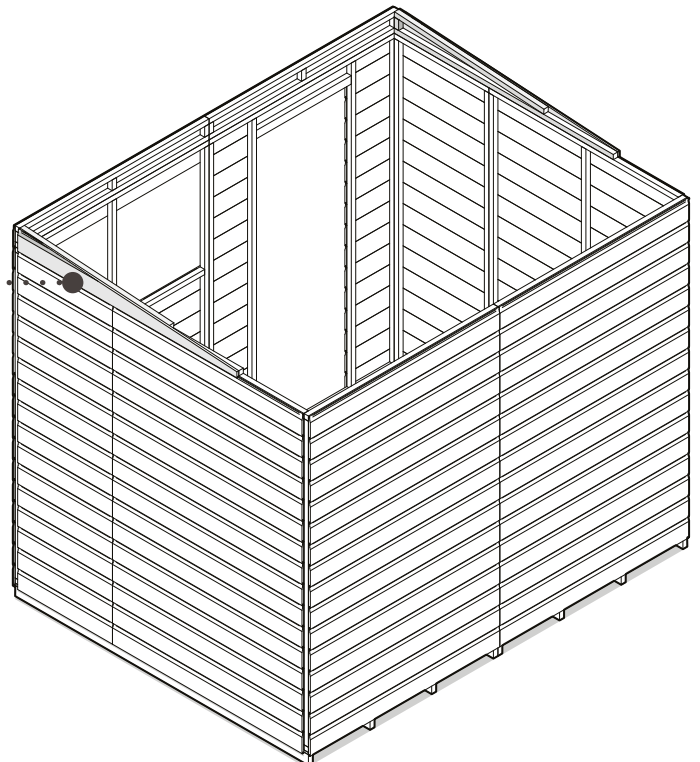
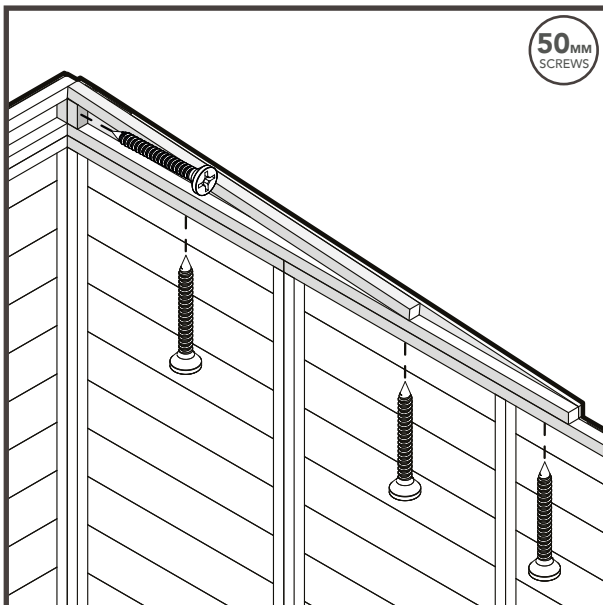
Secure the Left and Right Hand Apex Sections together to create a complete Apex Section piece. Position and secure the complete Apex Section Pieces to the Side Panels as shown above.

STEP 2: PENT SECTION ASSEMBLY

PENT SHEDS



L RGER PENT SHEDS



PENT SECTIONS

Position and secure the Pent Sections to the Side Panels and Infill Panels as shown above.

SHED INSTRUCTIONS

WINDOW ASSEMBLY (4)

FIXING PACK CONTAINS:

FIXING PACK CODE: SHEDWINFP

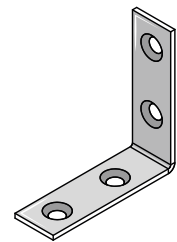
You may receive more than one of the same fixing pack to provide enough fixings for the sheds with more windows.



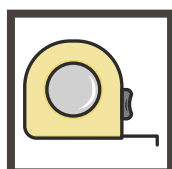
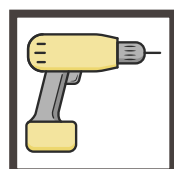
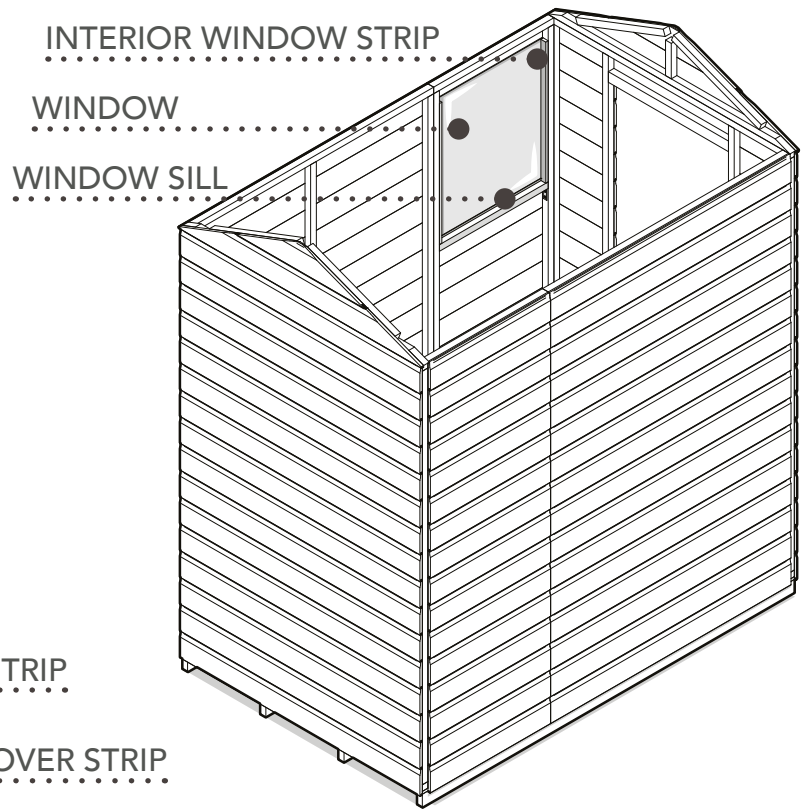
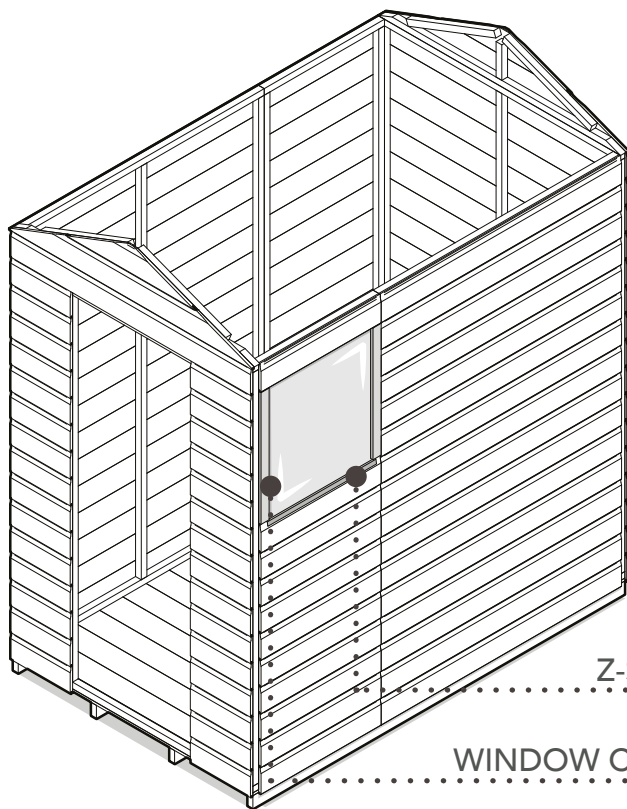
.5 30mm Scre
QTY: 14



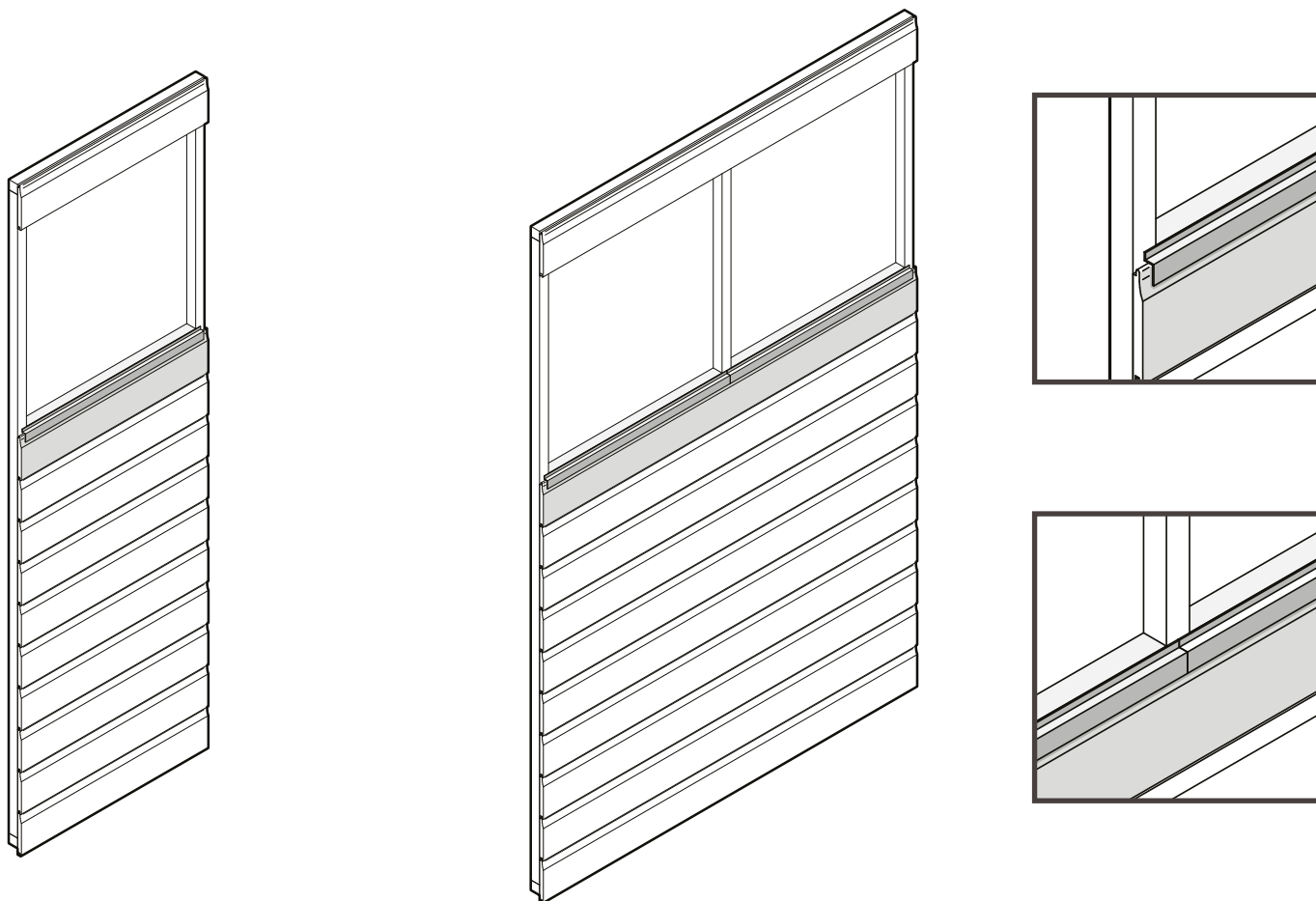
.5 25mm Scre
QTY: 16



L-Brackets (5 mm)
QTY: 4

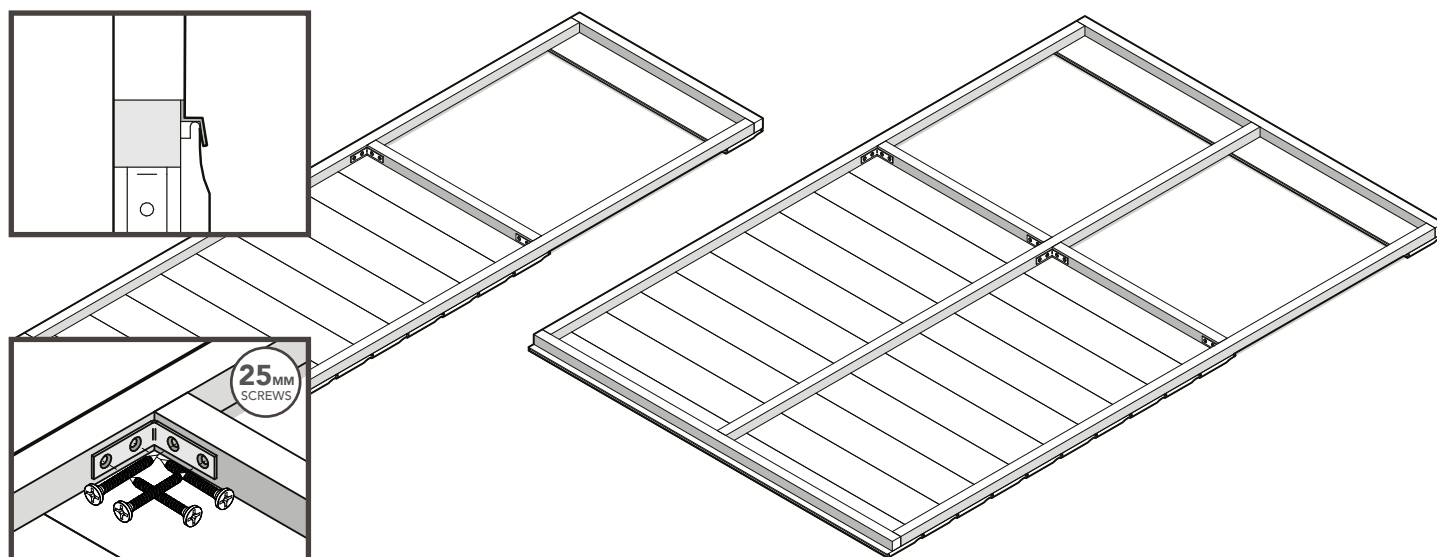


STEP 1: WINDOW SILL ASSEMBLY



TRIM & POSITION YOUR Z-STRIP(S)

Place the Z-Strip on top of the board in the window opening. Mark out and trim the Z-Strip to the required size. Ensure the Z-Strip sits across the window opening framework as shown above.

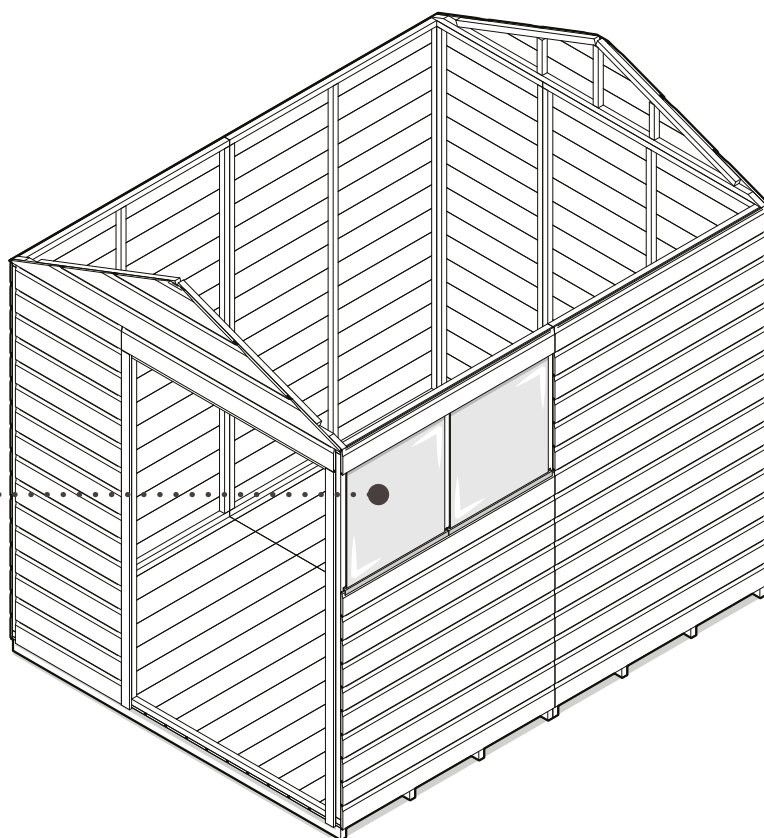
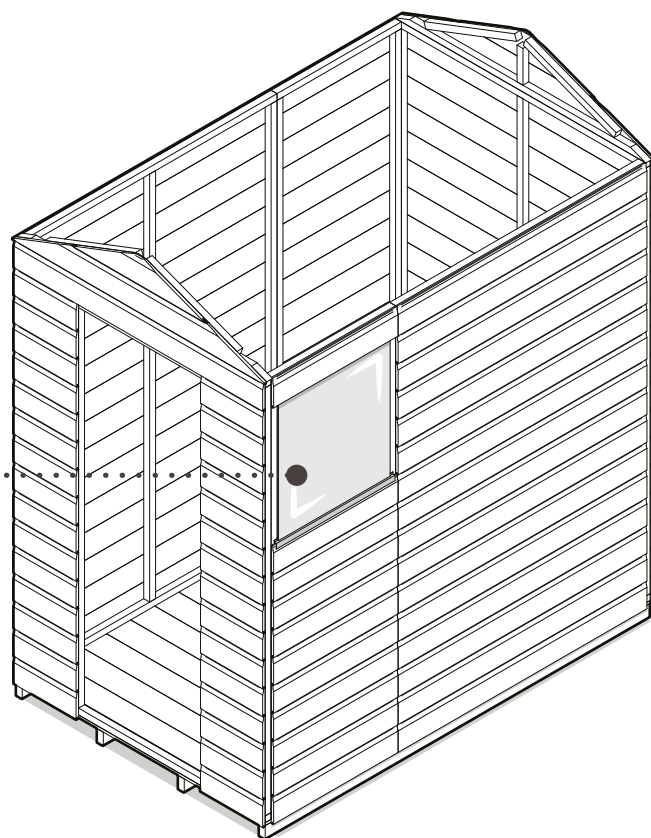
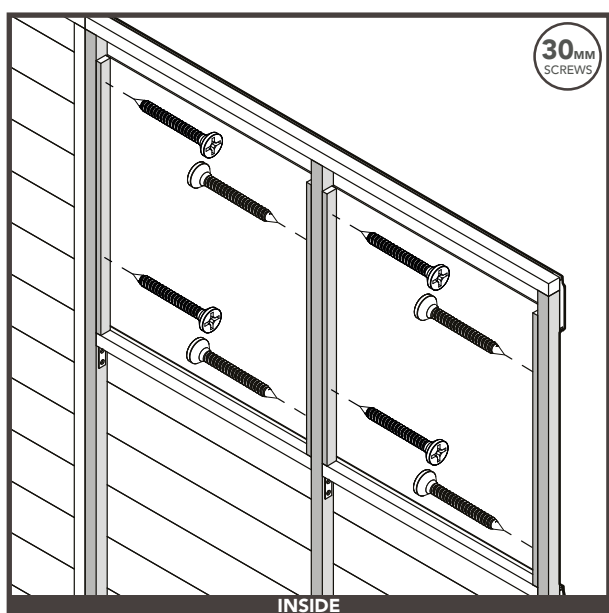
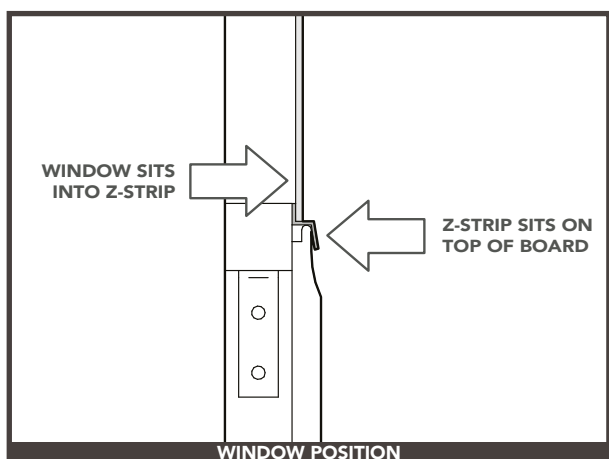
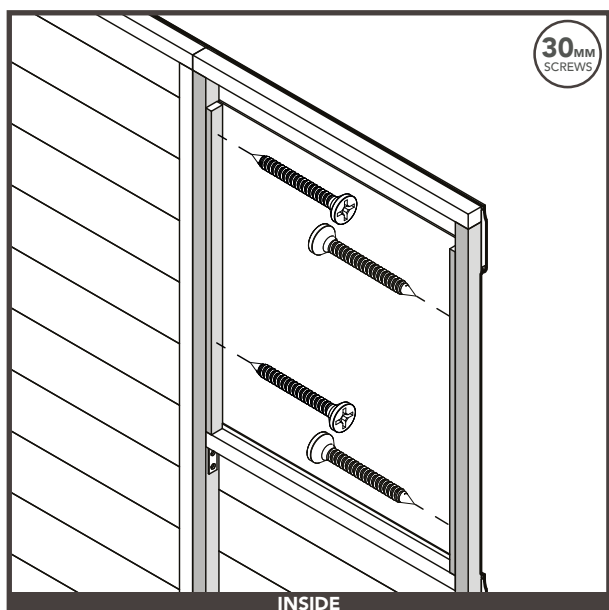


WINDOW SILL(S)

Using the positioned Z-Strip(s), position the Window Sill(s) flush to the top of the Z-Strip. **Secure the Window Sill(s) using the L-Brackets to the Window Panel framework. Use 2 x L-Brackets per Window Sill.**

2ft Window panel window sill size (28x28x534mm), 3ft Window panel window sill size (28x28x400mm),
4ft Window panel window sill size (28x28x548mm)

STEP 2: WINDOW ASSEMBLY

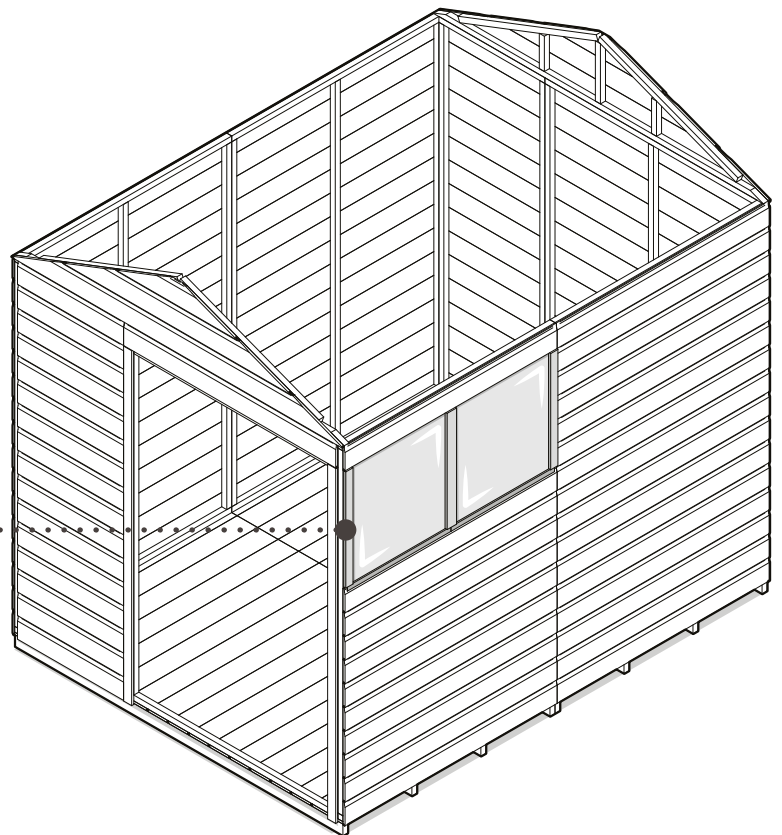
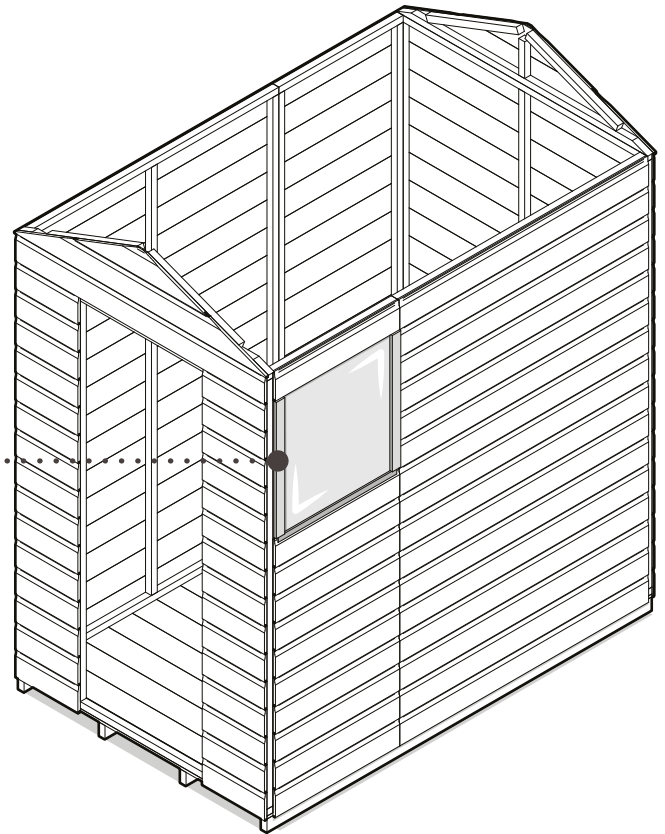
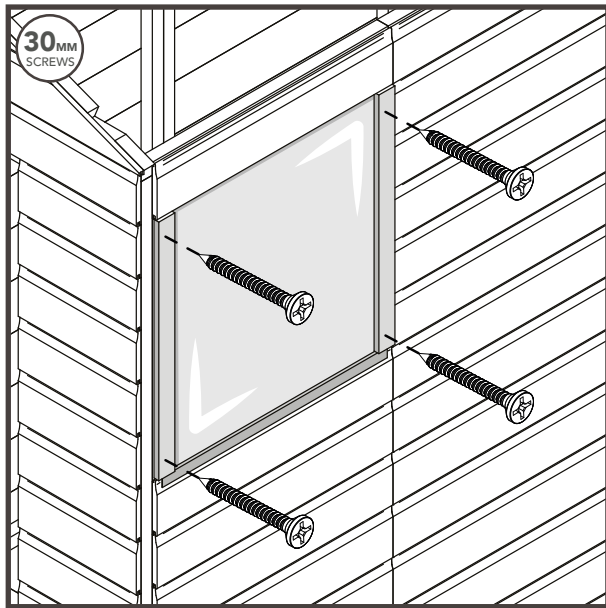


WINDOW & INTERIOR WINDOW STRIPS

Position the Window onto the Z-Strip from the outside of your shed. The Window will be placed up against the top board on the inside of your Window Panel. Peel your protective film off the Window. Position and secure the Interior Window Strips whilst positioning the Window to ensure the Window is secured in place. Repeat the process for multiple Windows.

Interior window strip size (24x12x600mm)

STEP 3: WINDOW COVER STRIPS



SECURE WINDOW COVER STRIPS

Position and secure the Window Cover Strips to the Window Panel framework. The double Window Panel will have a wider cover strip for the centre of the Window Panel as shown above. These will further hold the Window(s) in place.

SHED INSTRUCTIONS

COVER STRIPS & DOOR STRIPS (5)

FIXING PACK CONTAINS:

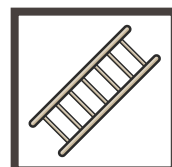
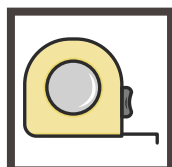
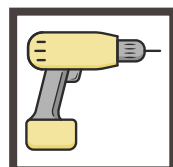
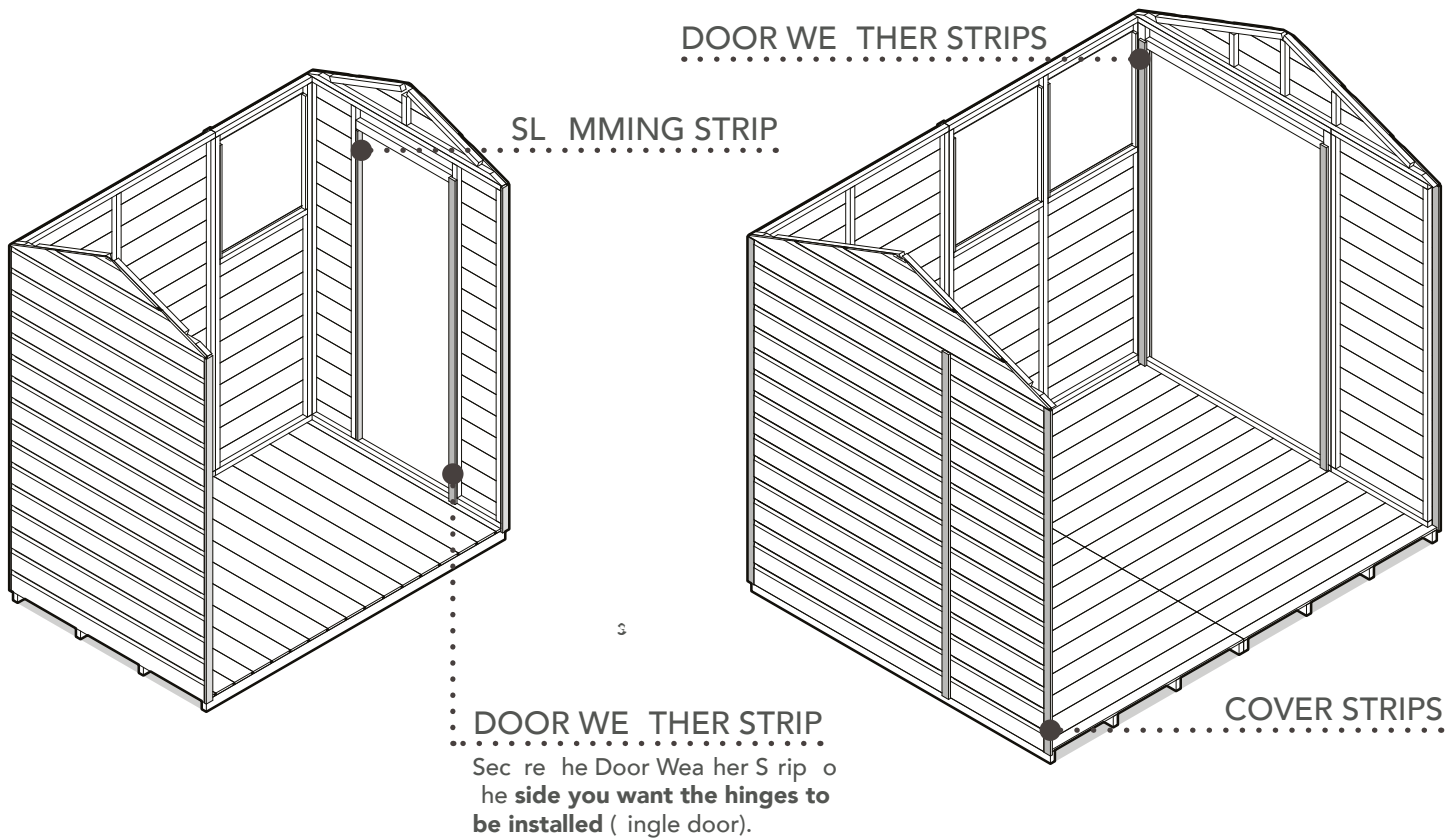
FIXING PACK CODE: SHEDSTRIPSFP

3

You may receive more than one of the same fixing pack to provide enough screws for the larger shed sizes.

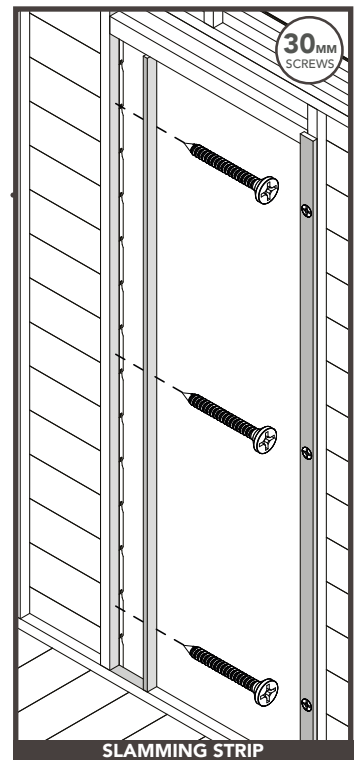
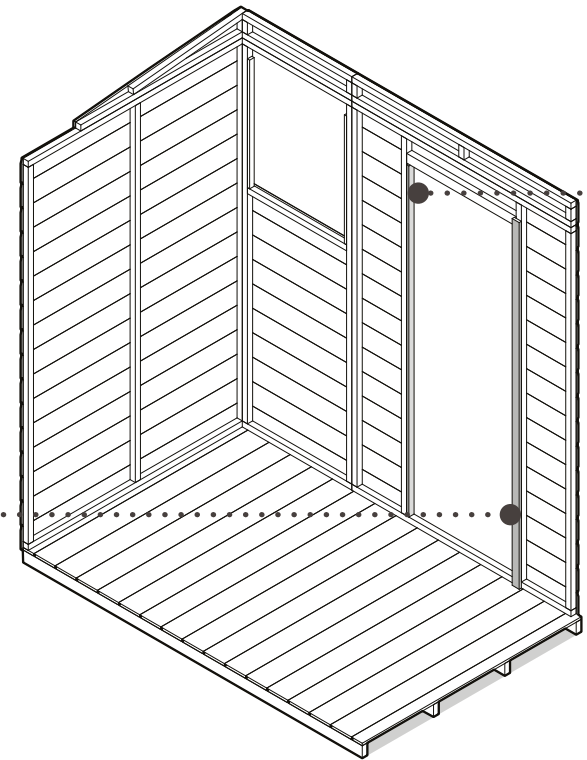
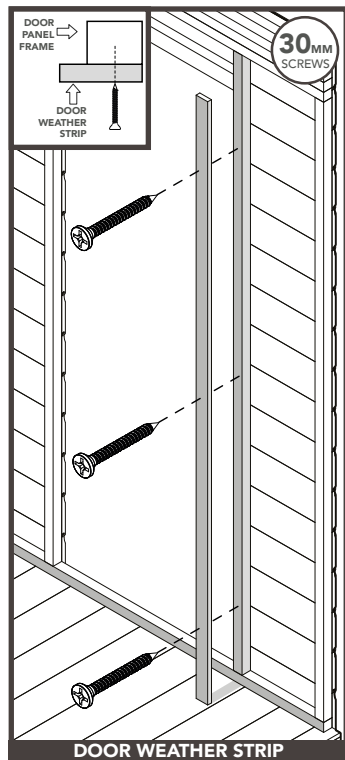
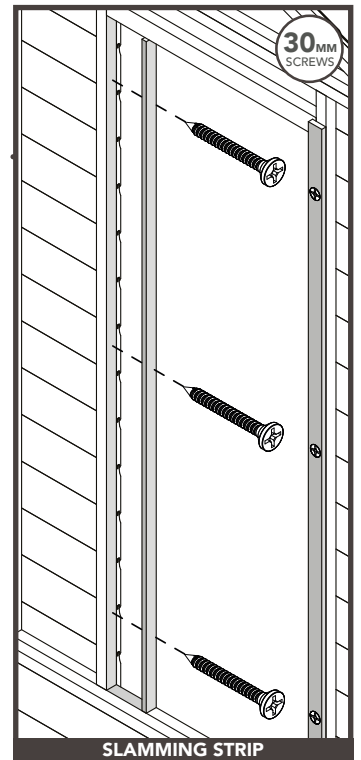
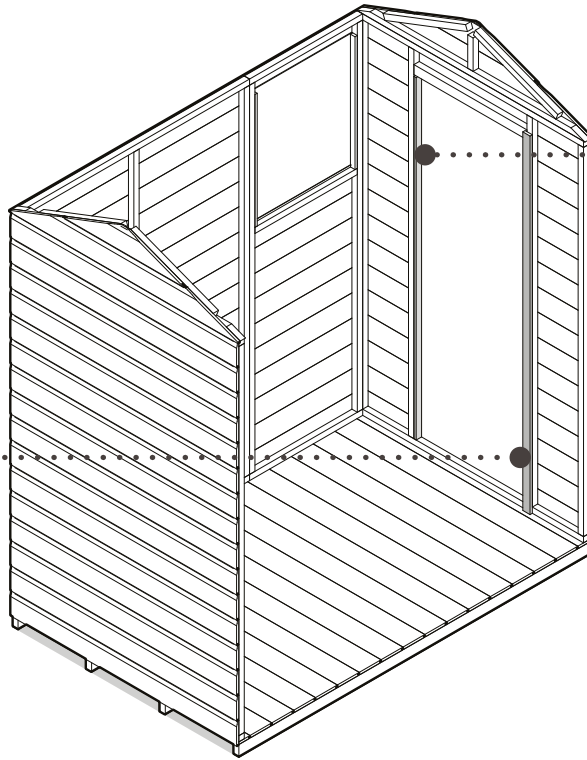
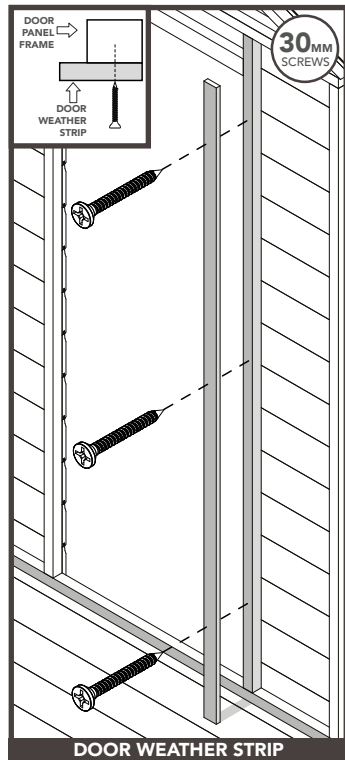


.5 30mm Screw
QTY: 30



STEP 1: DOOR STRIPS

SINGLE DOOR



DOOR WEATHER STRIP

Secure the Door Weather Strip to the side you want the hinges, and ensure it is flush to the Floor and against the face of the Door Panel framework. Ensure there is approximately a 10mm overhang into the door opening.

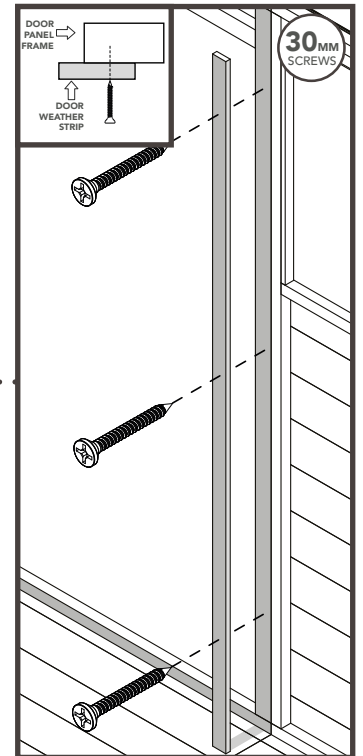
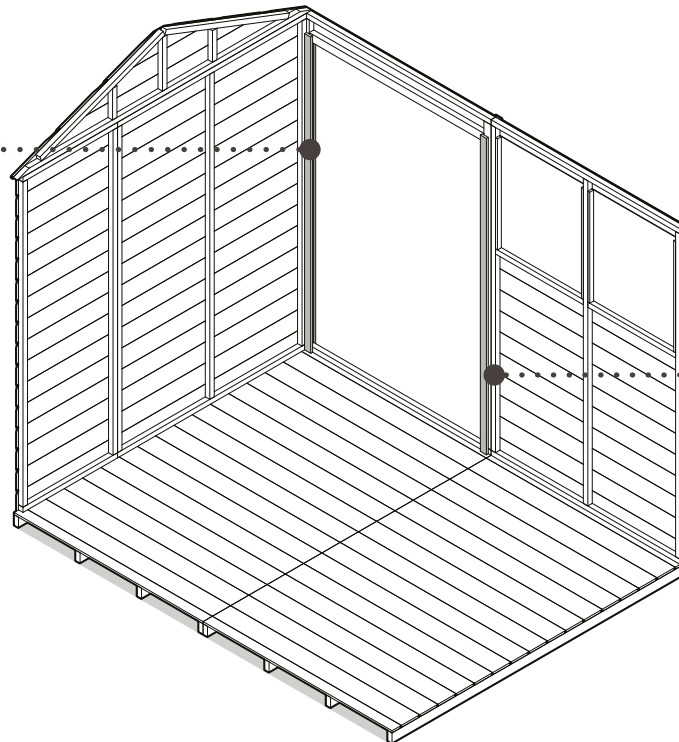
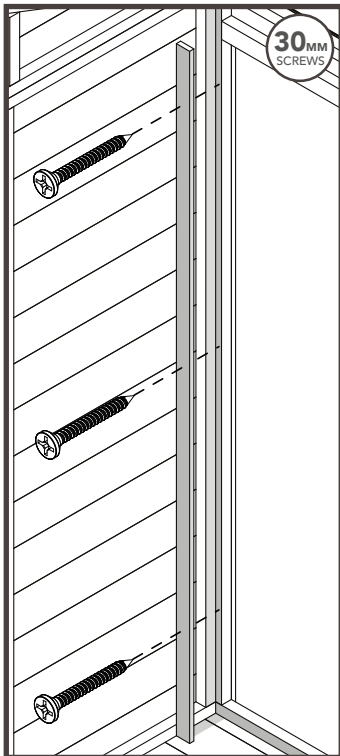
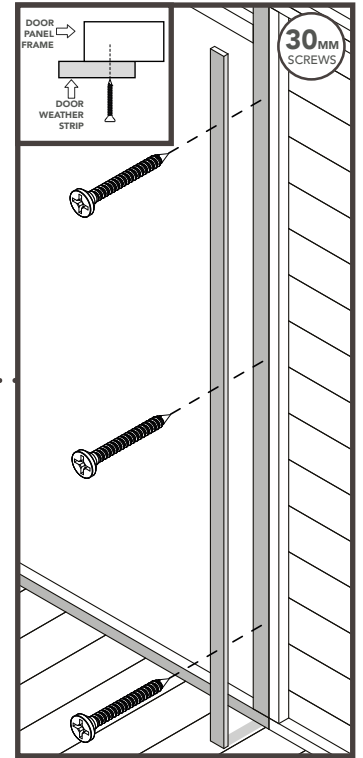
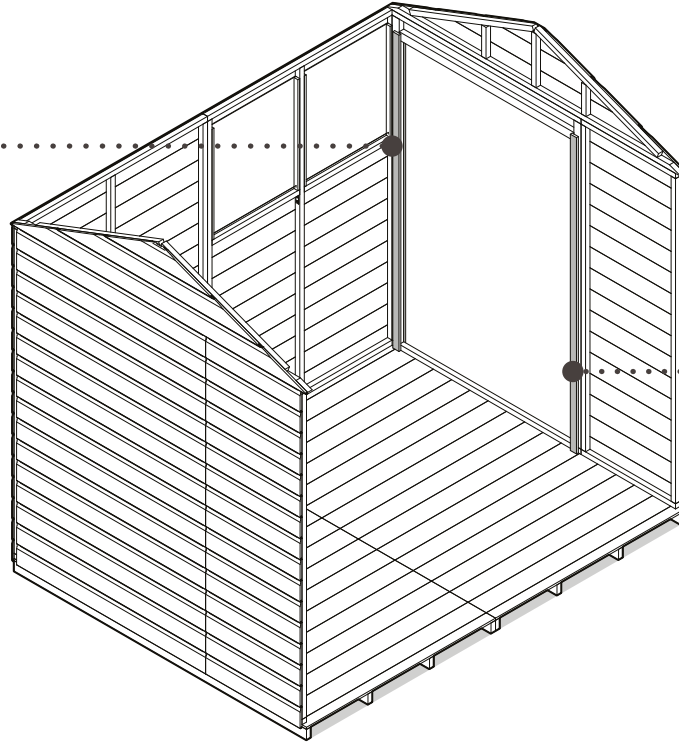
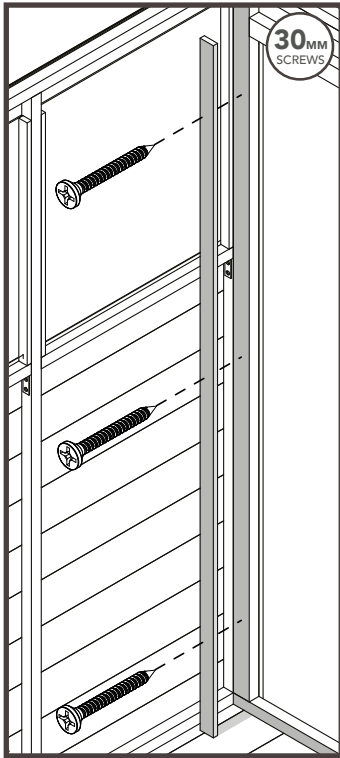
Door weather strip size (38x12x1710mm)

SLAMMING STRIP

Secure the Slamming Strip, on the Door Panel in the door opening as shown above. This will be on the opposite side you want the hinges.

Slamming strip size (28x12x1637mm)

DOUBLE DOOR



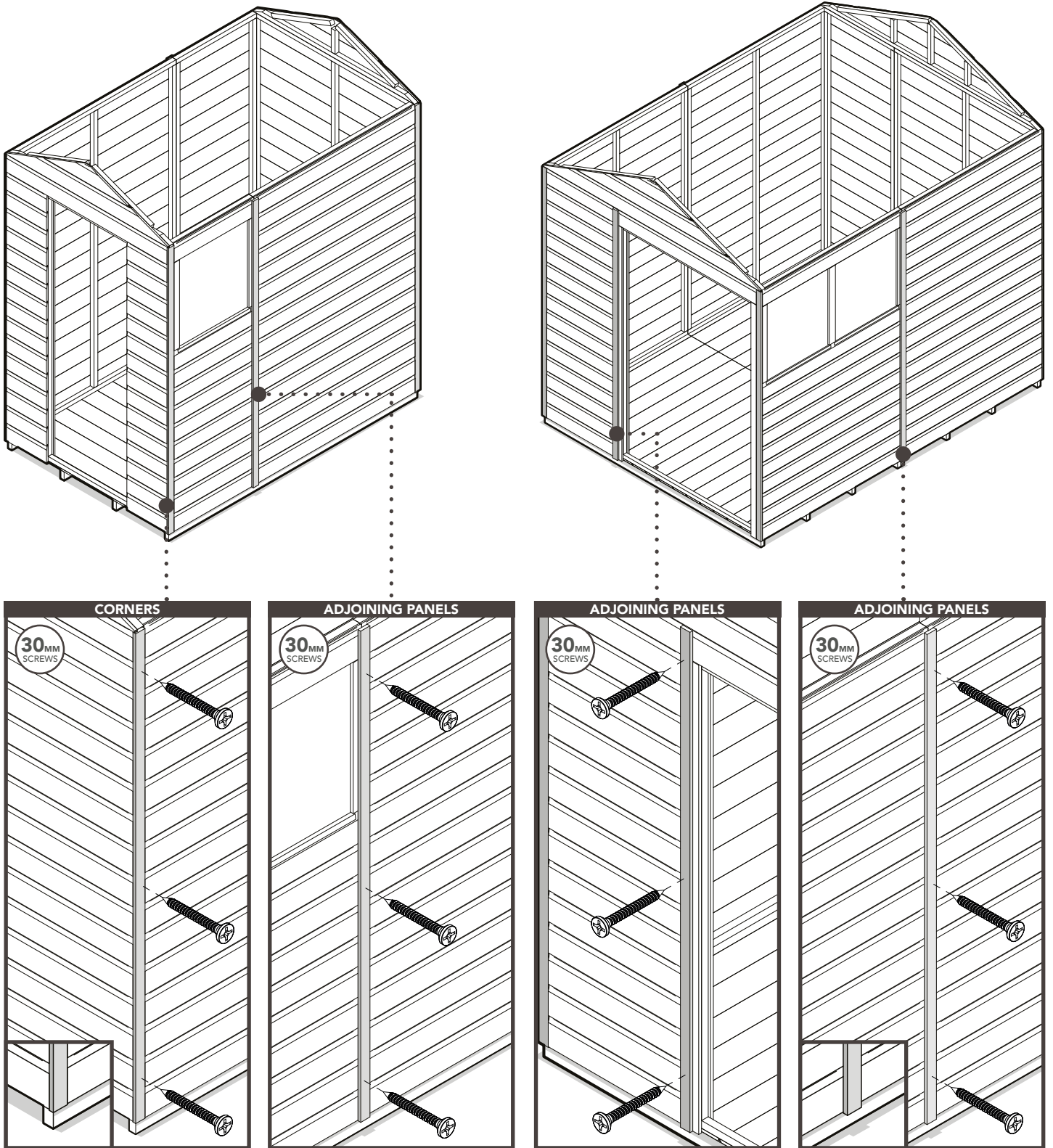
DOOR WEATHER STRIPS

Secure the Door Weather Strips to the Door Panels framework, and ensure they are flush to the Floor and against the face of the Door Panel framework. Ensure there is approximately a 10mm overhang into the door opening. If due to the panel configuration, your Door Panel framework is partly hidden, secure the Door Weather Strip to the visible framework as shown above.

Door weather strip size (38x12x1710mm)

STEP 2: COVER STRIPS

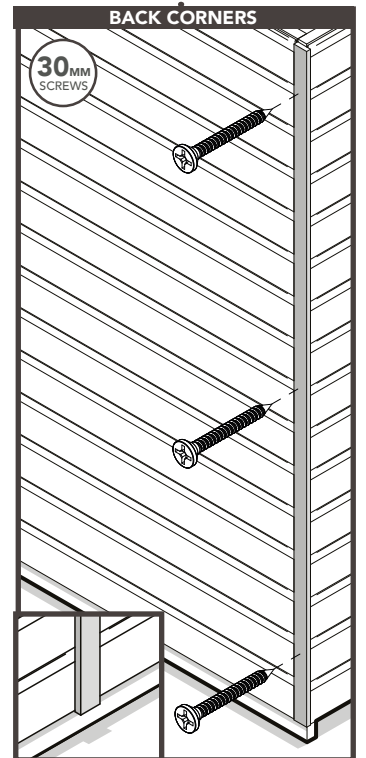
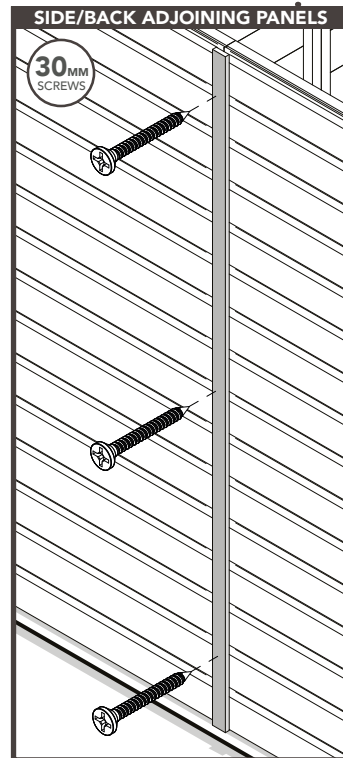
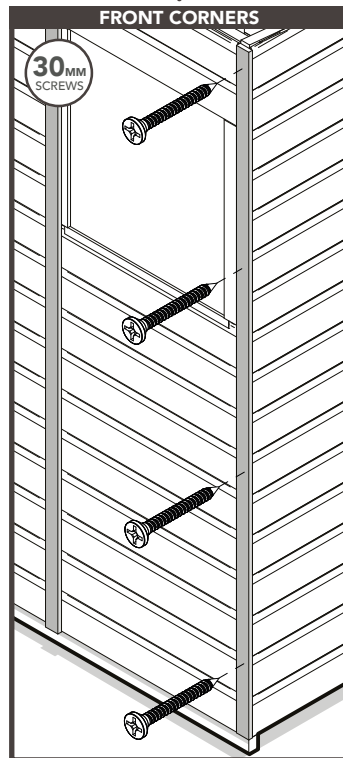
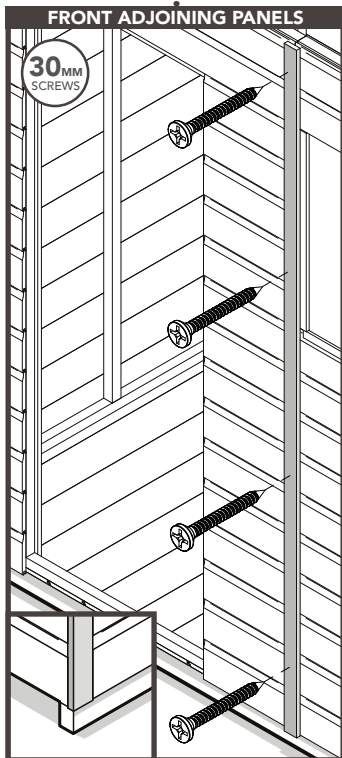
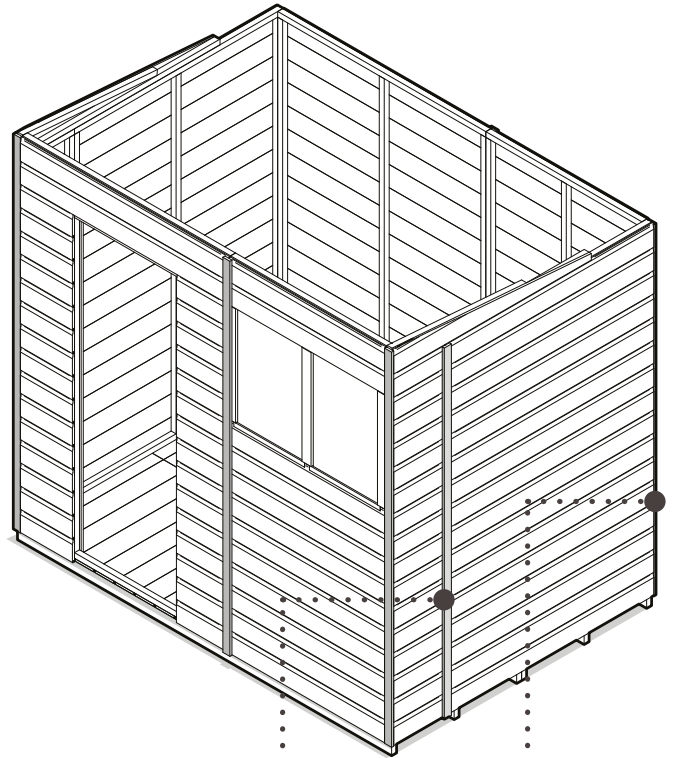
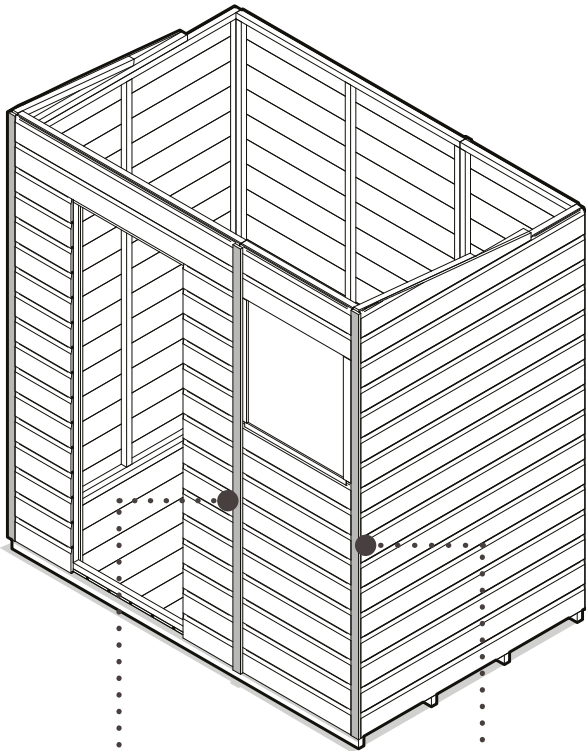
PEX & REVERSE PEX SHEDS



COVER STRIPS

Secure the Cover Strips to the corners and adjoining panels. Ensure they are flush to the bottom edge of the panels. Make sure to secure the Cover Strips to the framework behind and not into the joins of the panels.

Cover strips size (1823mm)



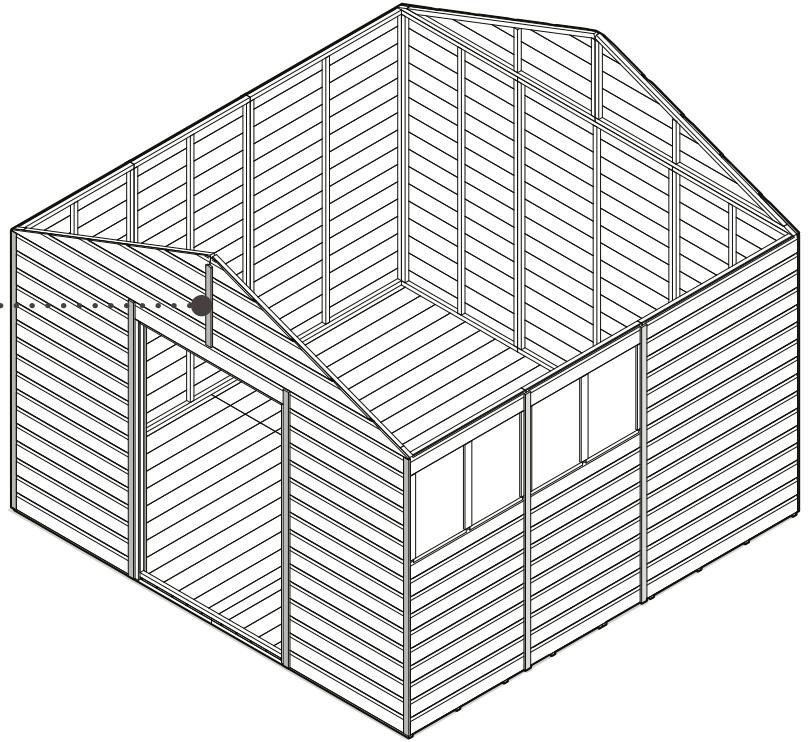
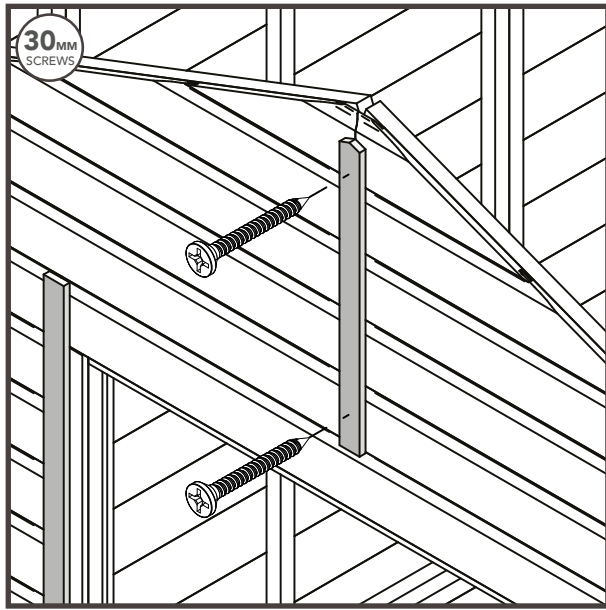
COVER STRIPS

Secure the Cover Strips to the corners and adjoining panels. Ensure they are flush to the bottom edge of the panels. Make sure to **secure the Cover Strips to the framework behind and not into the joins of the panels.** The Front Cover Strips are longer than the Side/Back Cover Strips.

Front Cover strips size (1940mm), Side/Back Cover strips size (1823mm)

STEP 3: WORKSHOP APEX COVER STRIPS

WORKSHOPS



WORKSHOP APEX COVER STRIPS

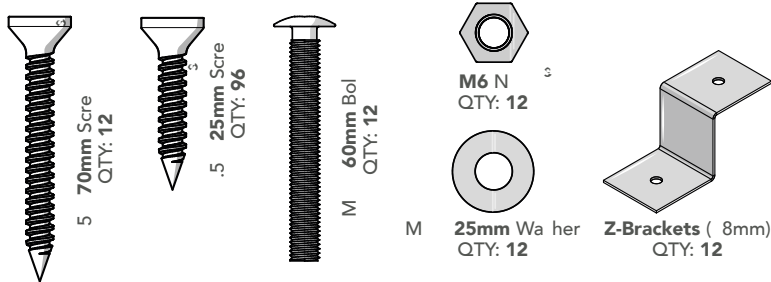
Position and secure the Apex Cover Strips to Apex Sections. Ensure they are flush to the bottom edge of the board on the Apex Sections. Make sure to **secure the Apex Cover Strips to the framework behind and not into the joins of the Apex Sections.**

SHED INSTRUCTIONS

WORKSHOP TRUSS ASSEMBLY ()

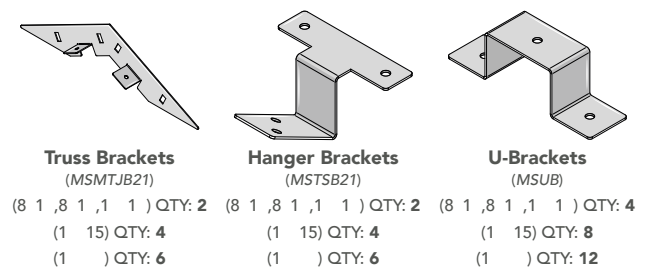
FIXING PACK CONTAINS:

FIXING PACK CODE: WORKSHOPTRUSSFP

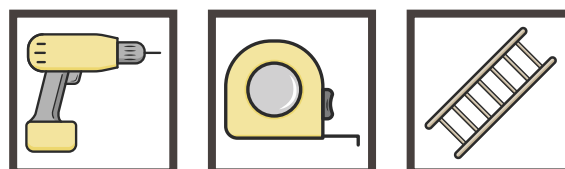
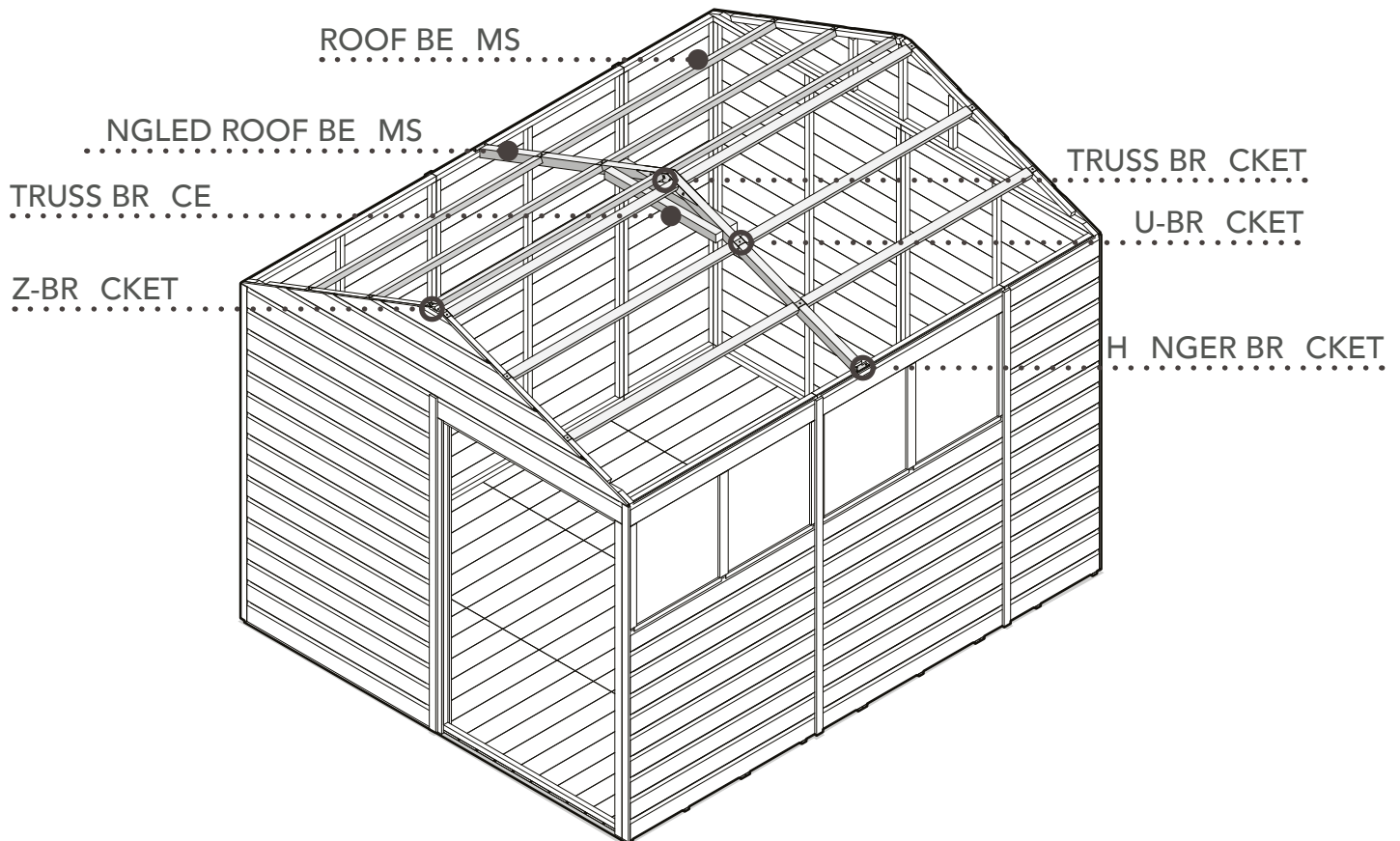


TRUSS FIXING PACK CODE: STPK21

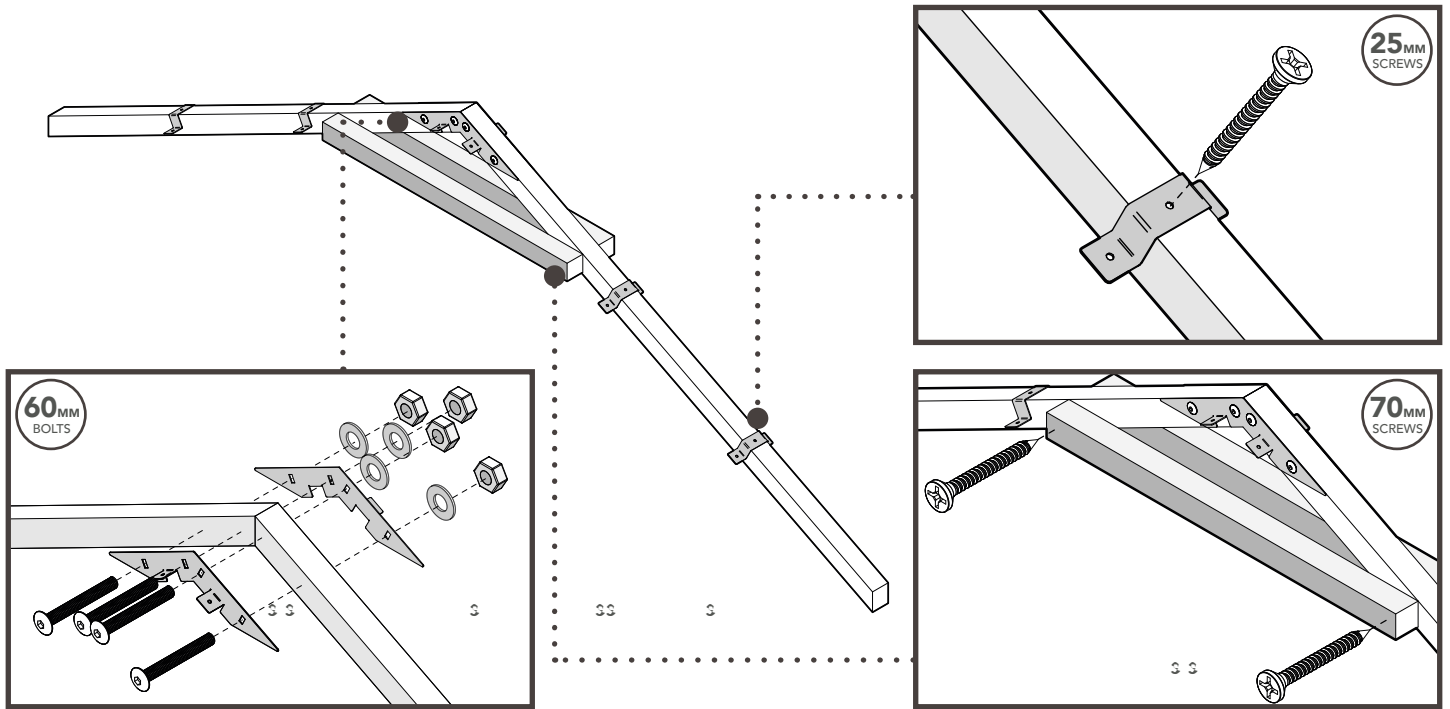
EXTRA U-BRACKETS (PACK OF 2) CODE: MSUBPK2



You may receive more than the required amount of fixings in order to provide enough fixings for the larger workshop sizes.



STEP 1: TRUSS ASSEMBLY



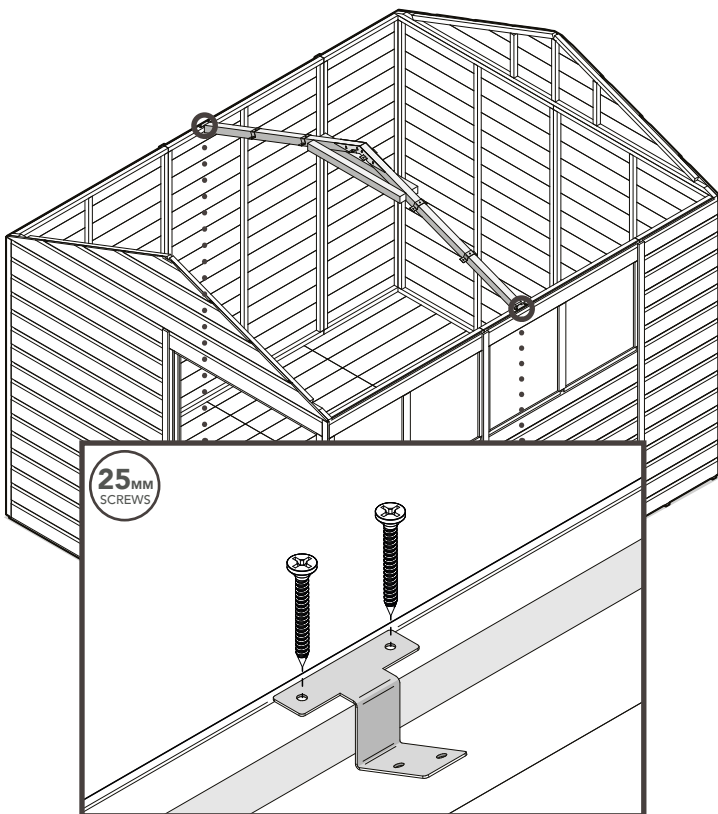
TRUSS BRACKETS

Assemble the Truss a ho nabo e. En re he r bracke are flush to the edge of the Angled Roof Beams to establish the correct angle. Repeat the process for multiple trusses.

U-BRACKETS & TRUSS BRACE

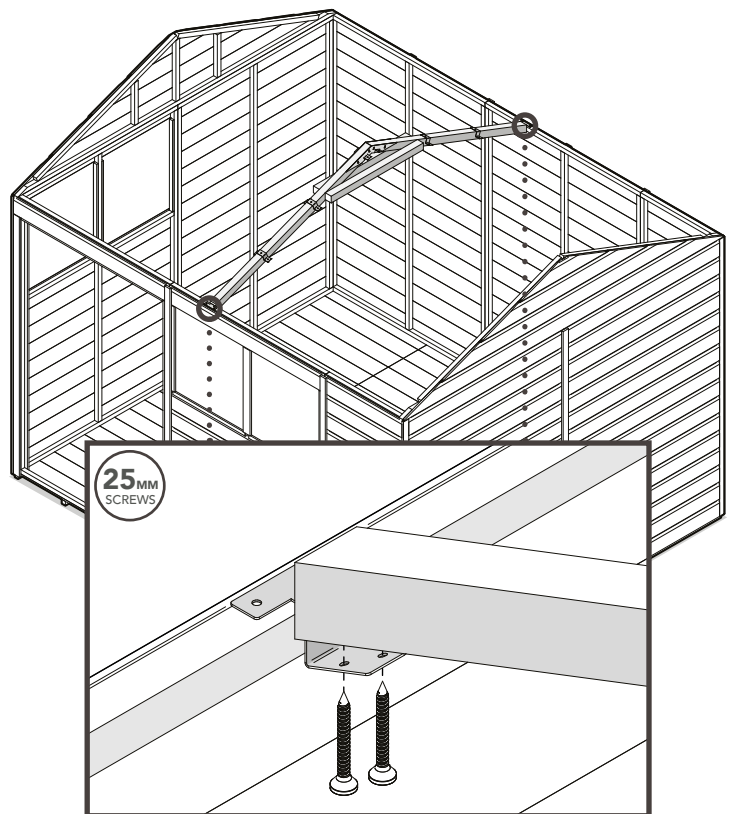
Space the U-brackets evenly and secure them to the Angled Roof Beams. Position and secure 2 x Truss Brace to the Angled Roof Beams a ho nabo e.

8 1 , 8 1 & 1 1 WORKSHOPS



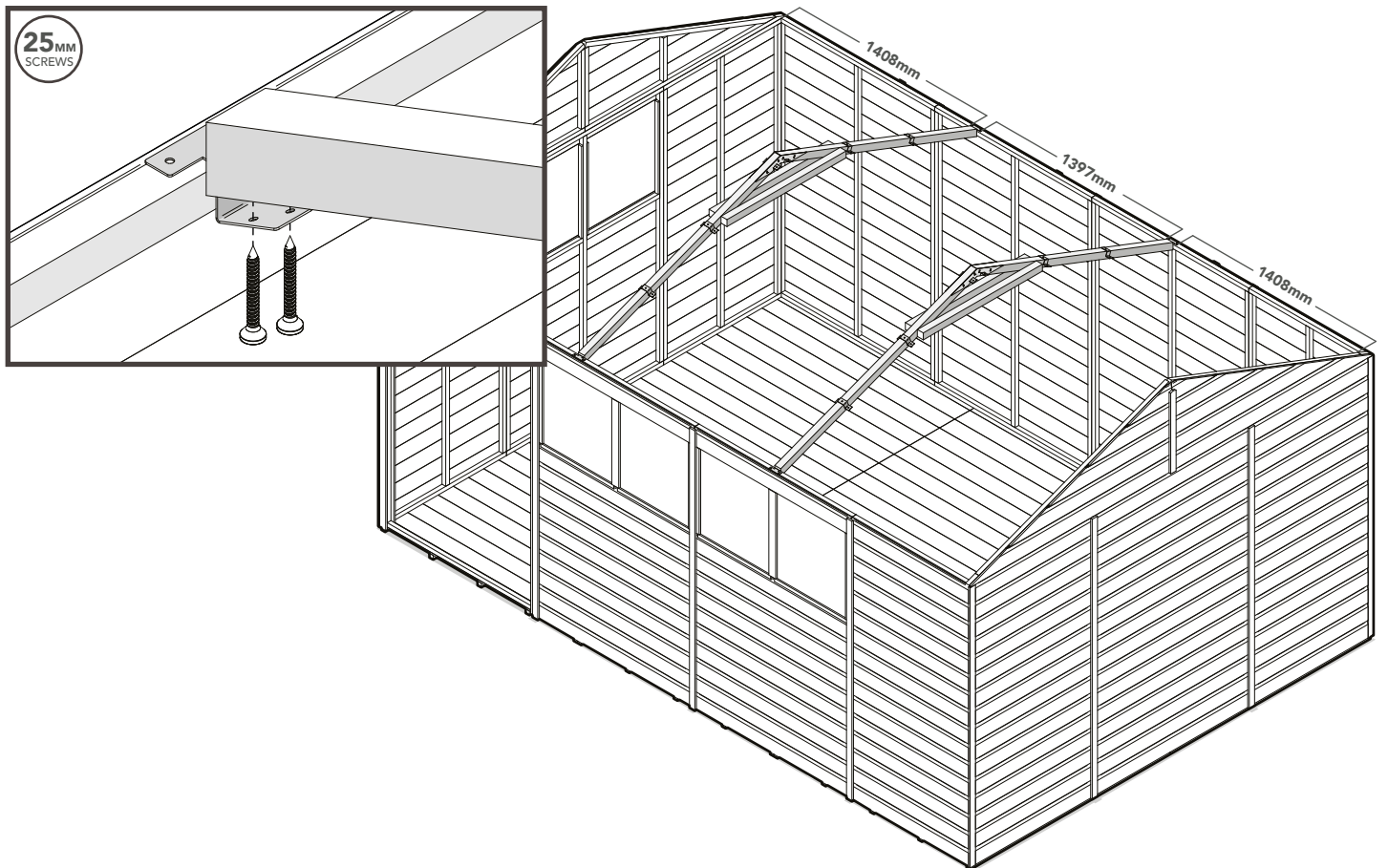
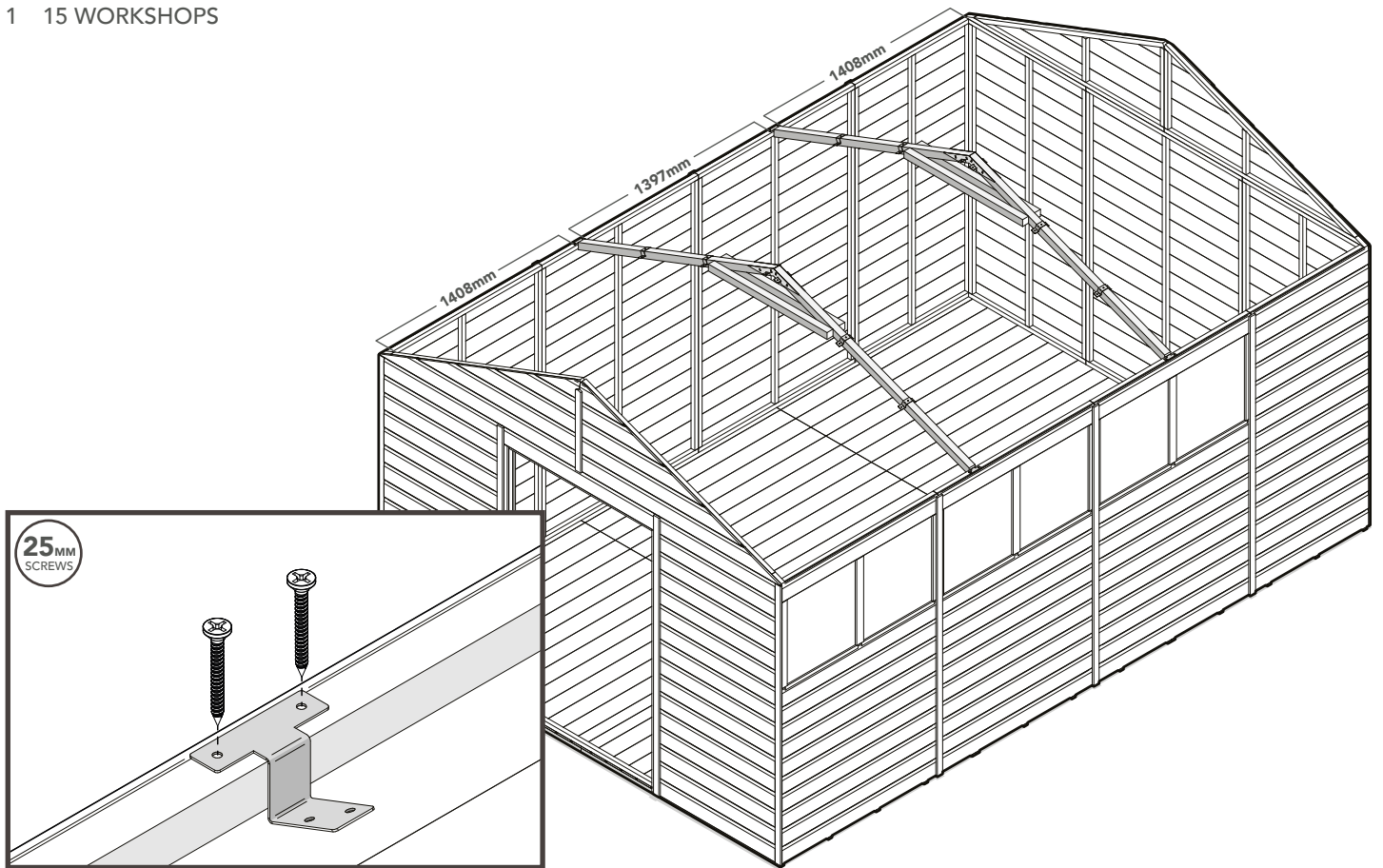
SECURE HANGER BRACKETS

Position and secure the hanger bracket to the centre of your shed. There needs to be one on each side.



SECURE TRUSS

Position and secure the assembled truss to the hanger brackets. The truss will be centralised inside your shed and facing the Apex Sections as shown above.

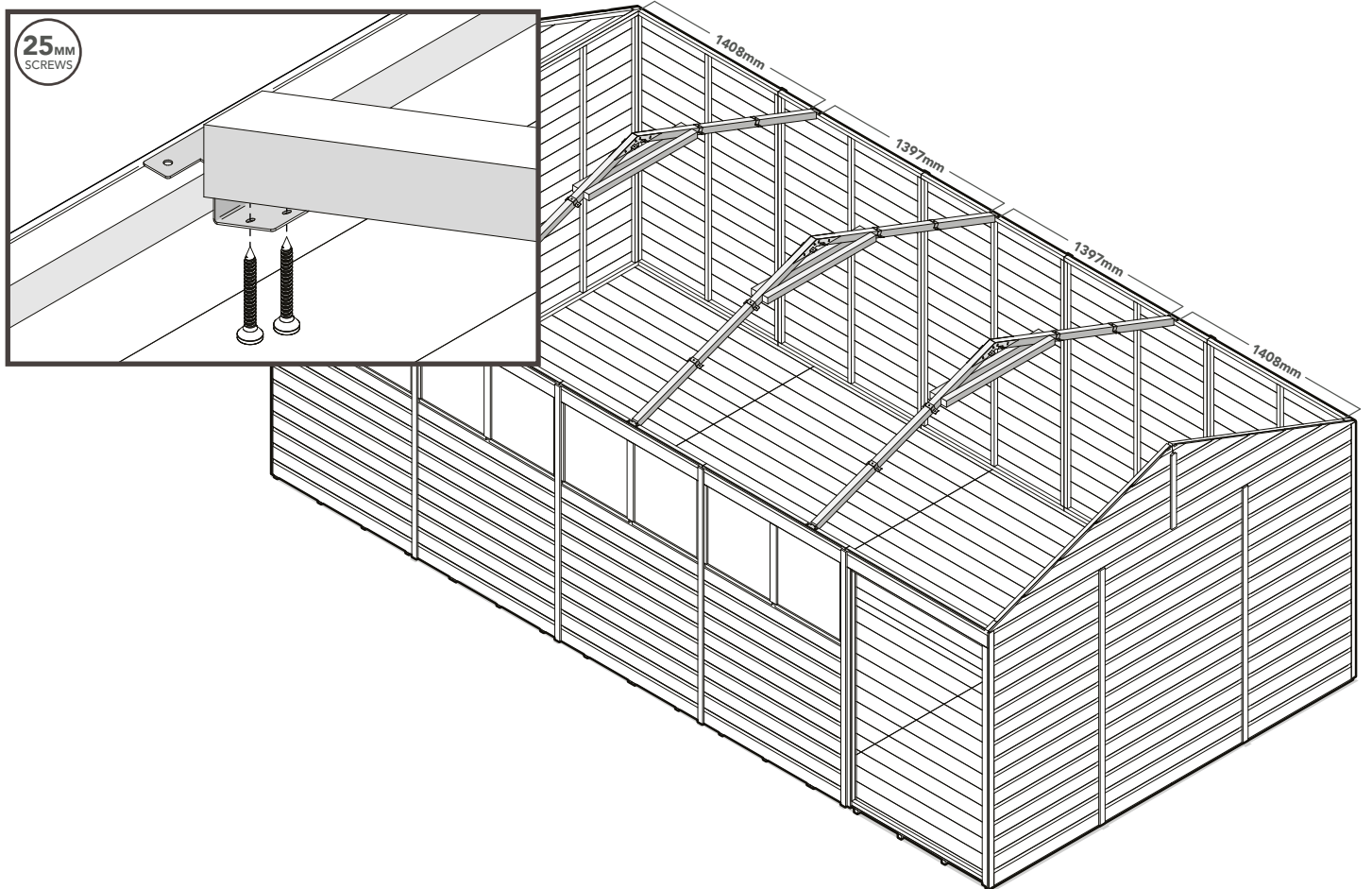
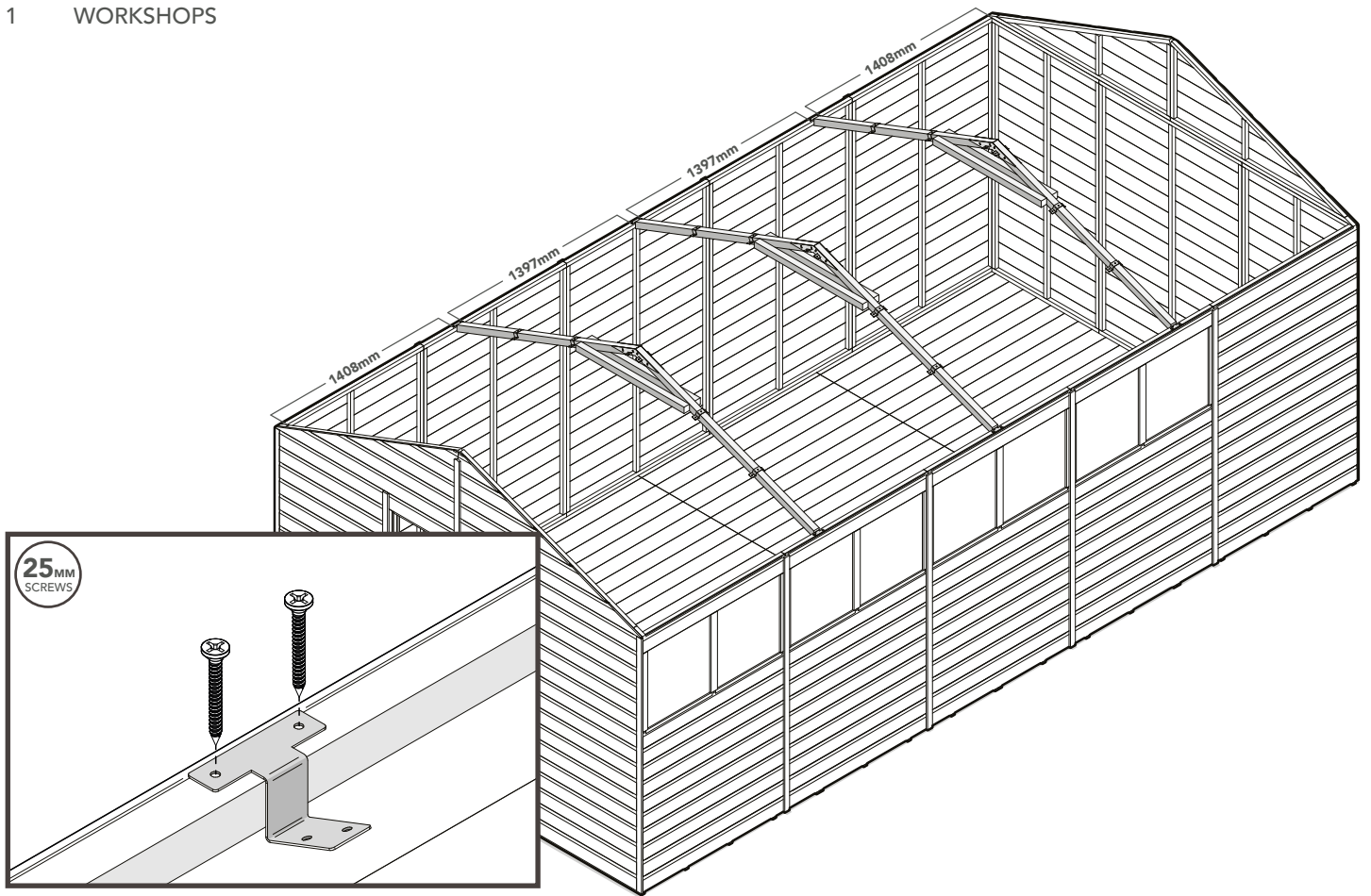


SECURE HANGER BRACKETS

Position each hanger bracket, using the measurements provided and secure to the Side Panels. Ensure they are the same distance on each side of your shed.

SECURE TRUSSES

Position and secure the assembled truss to the hanger brackets. The trusses will be inside your shed and facing the Apex Sections as shown above.



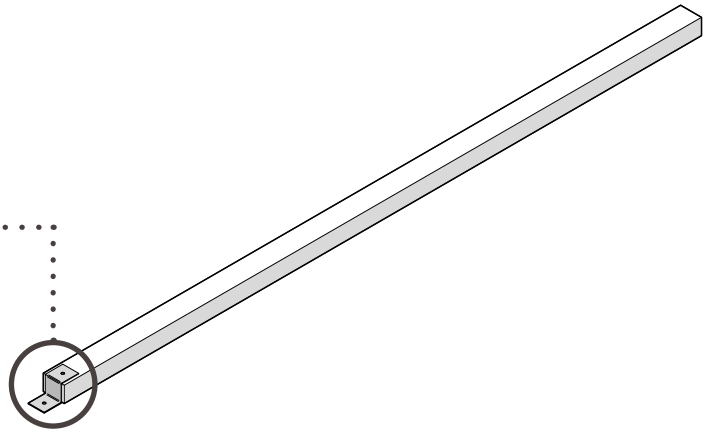
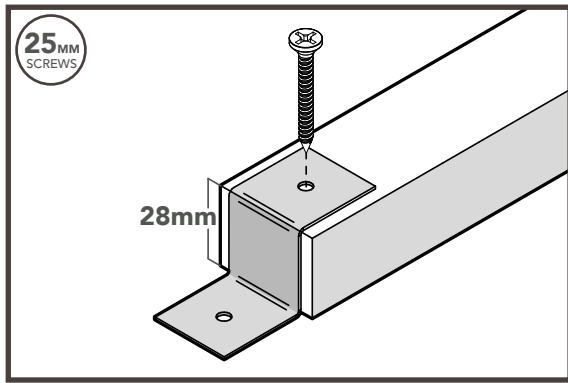
SECURE HANGER BRACKETS

Position each hanger bracket, using the measurements provided and secure to the Side Panels. Ensure they are the same distance on each side of your shed.

SECURE TRUSSES

Position and secure the assembled truss to the hanger brackets. The trusses will be inside your shed and facing the Apex Sections as shown above.

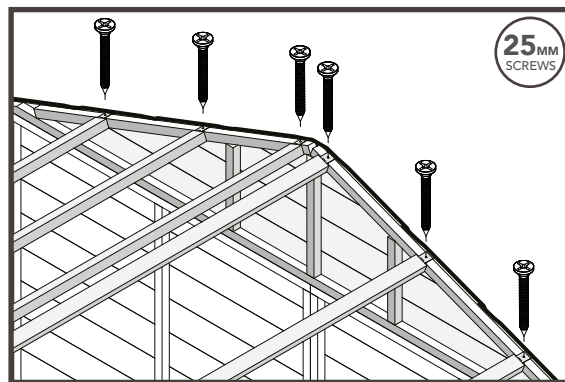
STEP 2: ROOF BEAMS ASSEMBLY



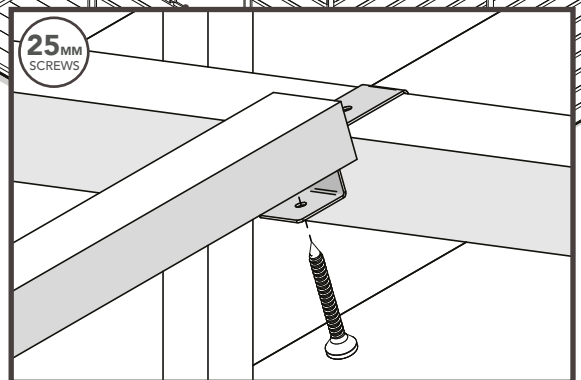
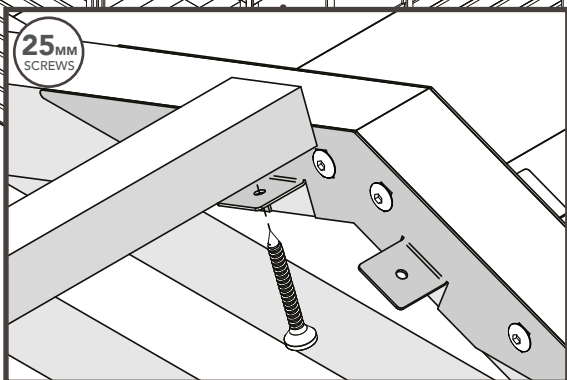
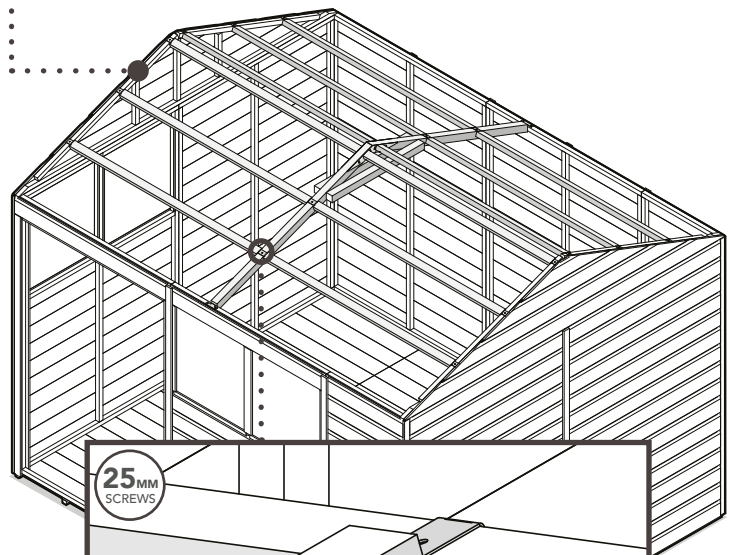
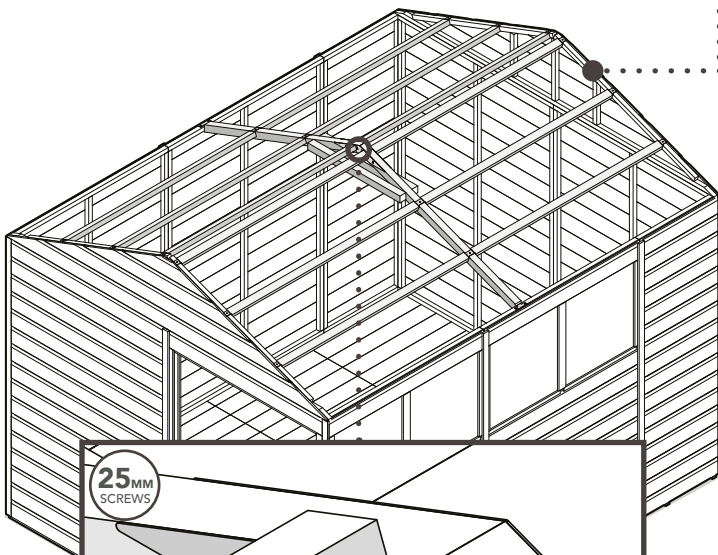
Z-BRACKETS

Position and secure a Z-bracket to one end on 12 x Roof Beams as shown above. The Roof Beam should be flush to the Z-bracket.

(For 8x10, 8x12 & 10x10 workshops, this will be all of your Roof Beams).
 (For 10x15 & 10x20 workshops, these Outer Roof Beams are 45x28x1421mm).

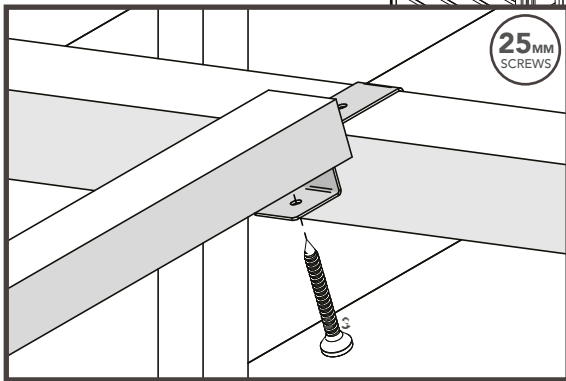
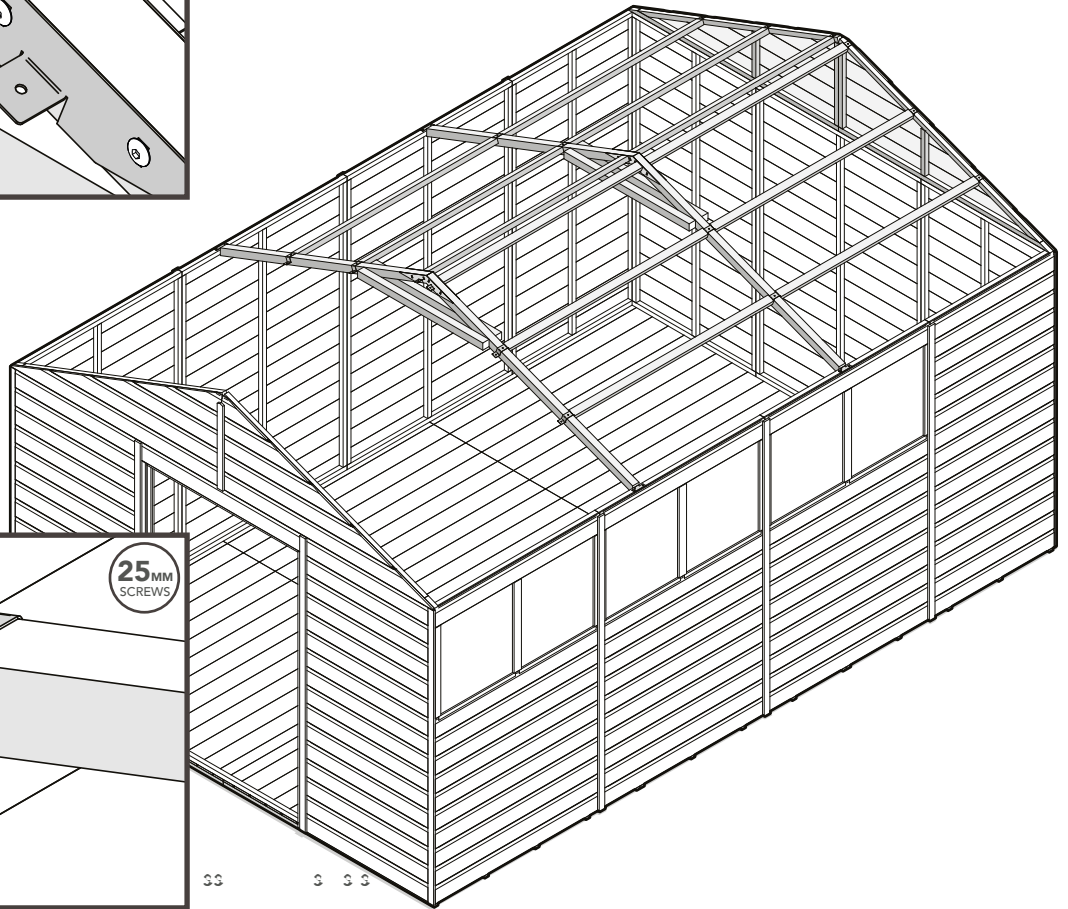
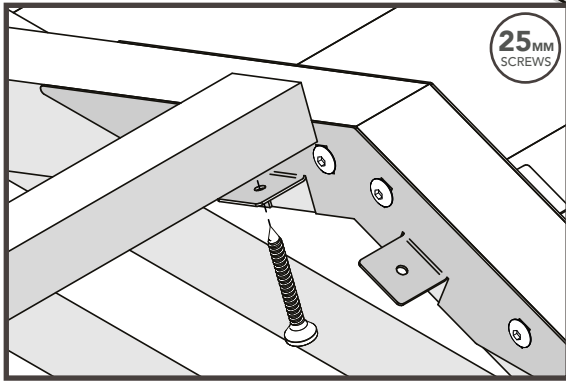
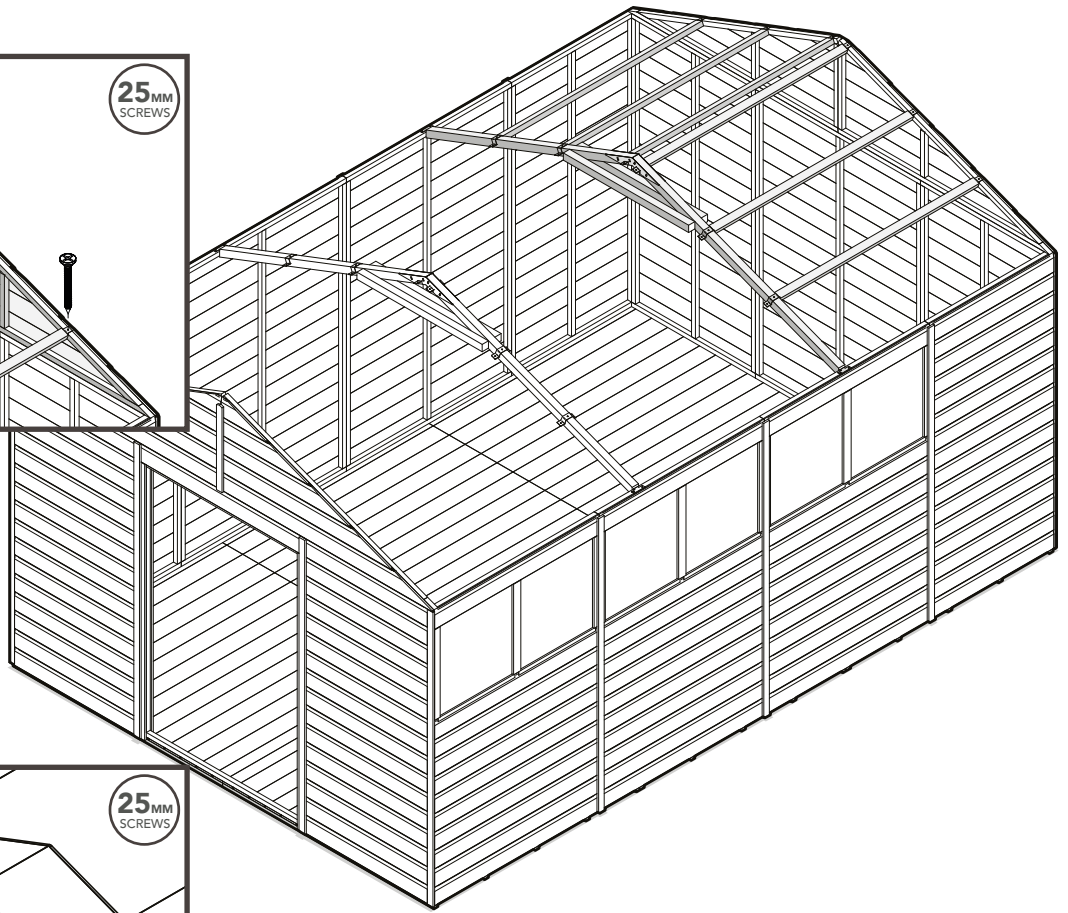
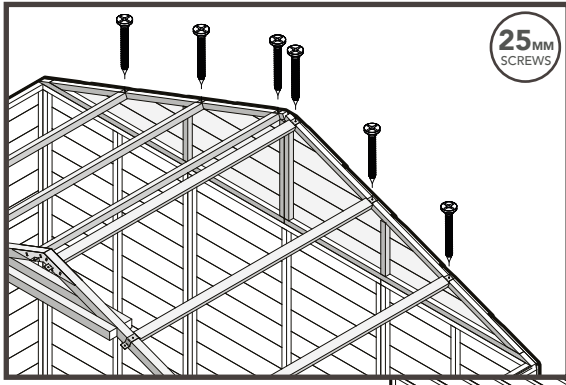


8 1 , 8 1 & 1 1 WORKSHOPS



SECURE ROOF BEAMS TO TRUSS & APEX SECTIONS

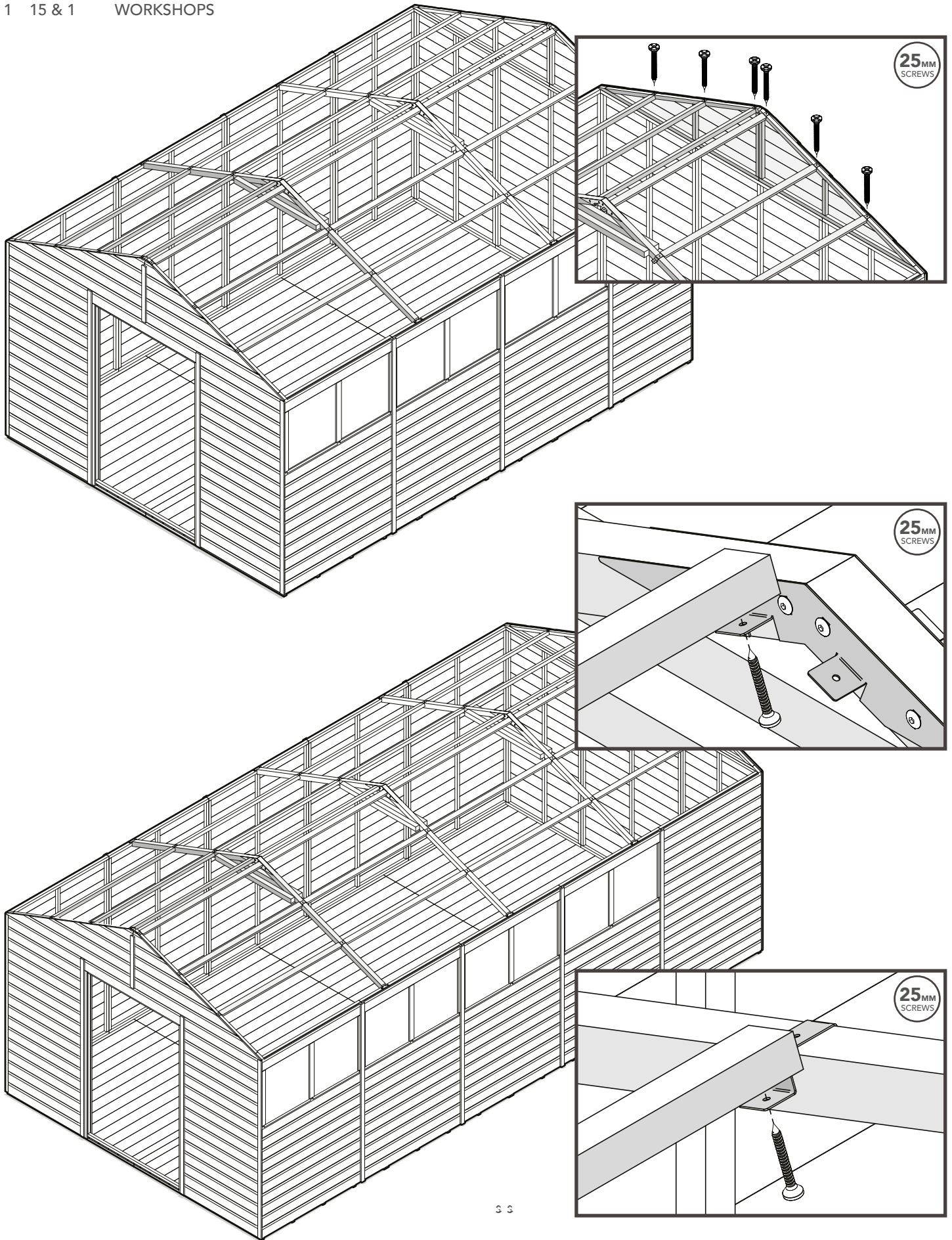
Position and secure the Z-brackets to the Apex Sections and secure the other end of the Roof Beams to the U-brackets and truss brackets as shown above.



SECURE OUTER & MIDDLE ROOF BEAMS

Position and secure the Z-brackets onto the Apex Section framework with the other end of the Outer Roof Beams on a U-bracket or truss bracket as shown above. Position and secure the Middle Roof Beams (45x28x1426mm) to the U-brackets and truss brackets as shown above.

Assemble your roof structure with the roof assembly fixing packs (7) for the 10x15 and 10x20 workshops.



SECURE THE FINAL OUTER ROOF BEAMS

Position and secure the Z-brackets to the Apex Section and secure the other end of the Outer Roof Beams to the U-brackets and truss brackets a ho n abo e.

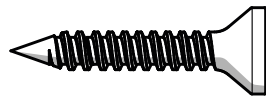
SHED INSTRUCTIONS

OSB ROOF SHEETS & FELT ()

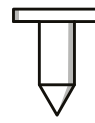
FIXING PACK CONTAINS:

FIXING PACK CODE: OSBSHEDROOFFP

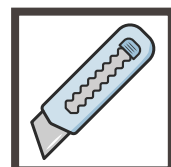
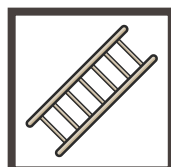
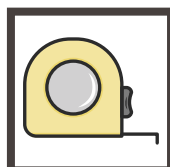
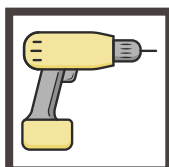
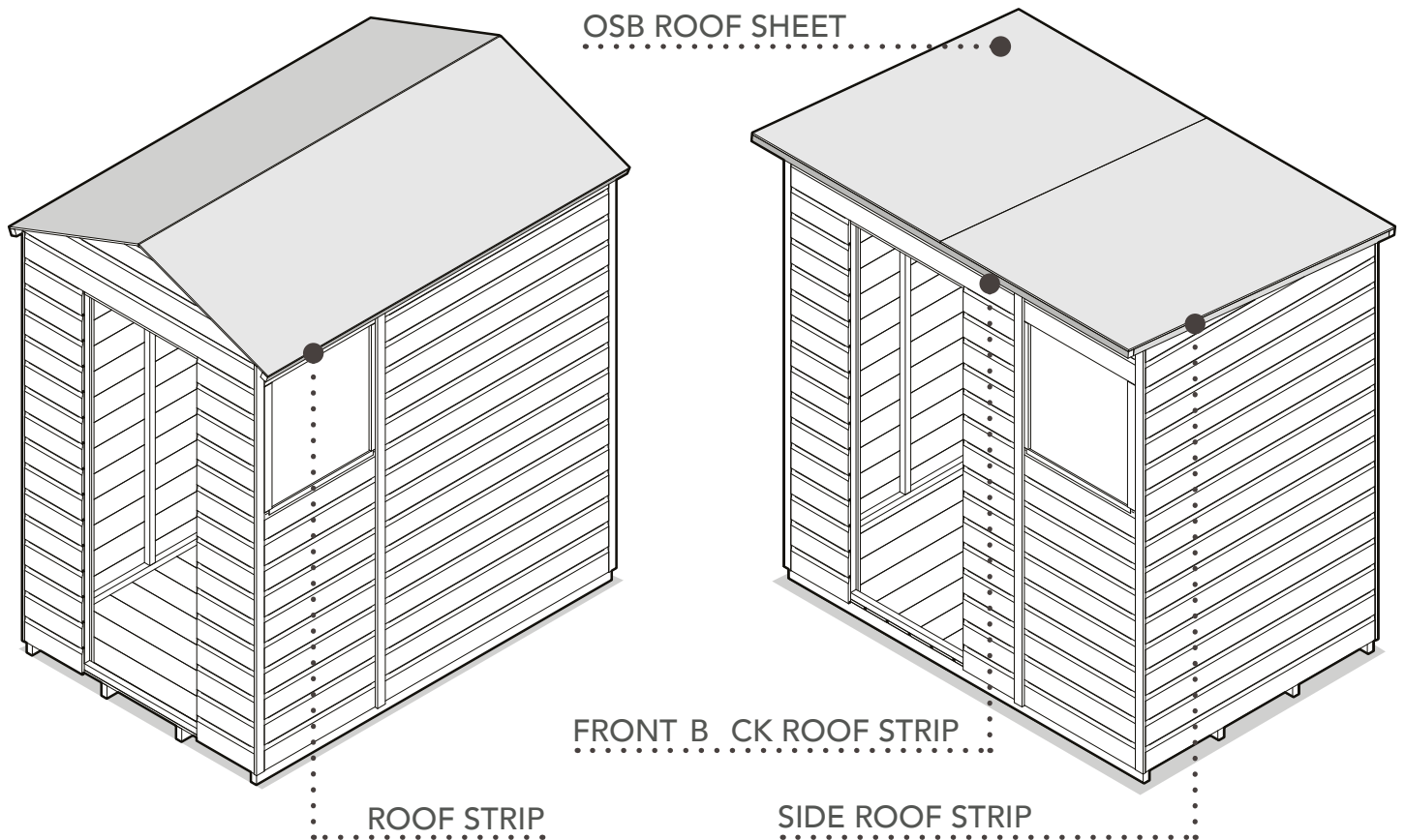
You may receive more than one of the same fixing pack to provide enough screws and felt tacks for the larger shed sizes.



.5 30mm Scre
QTY: 60

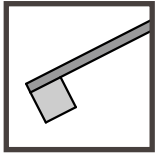


Fel Tacks
QTY: 145

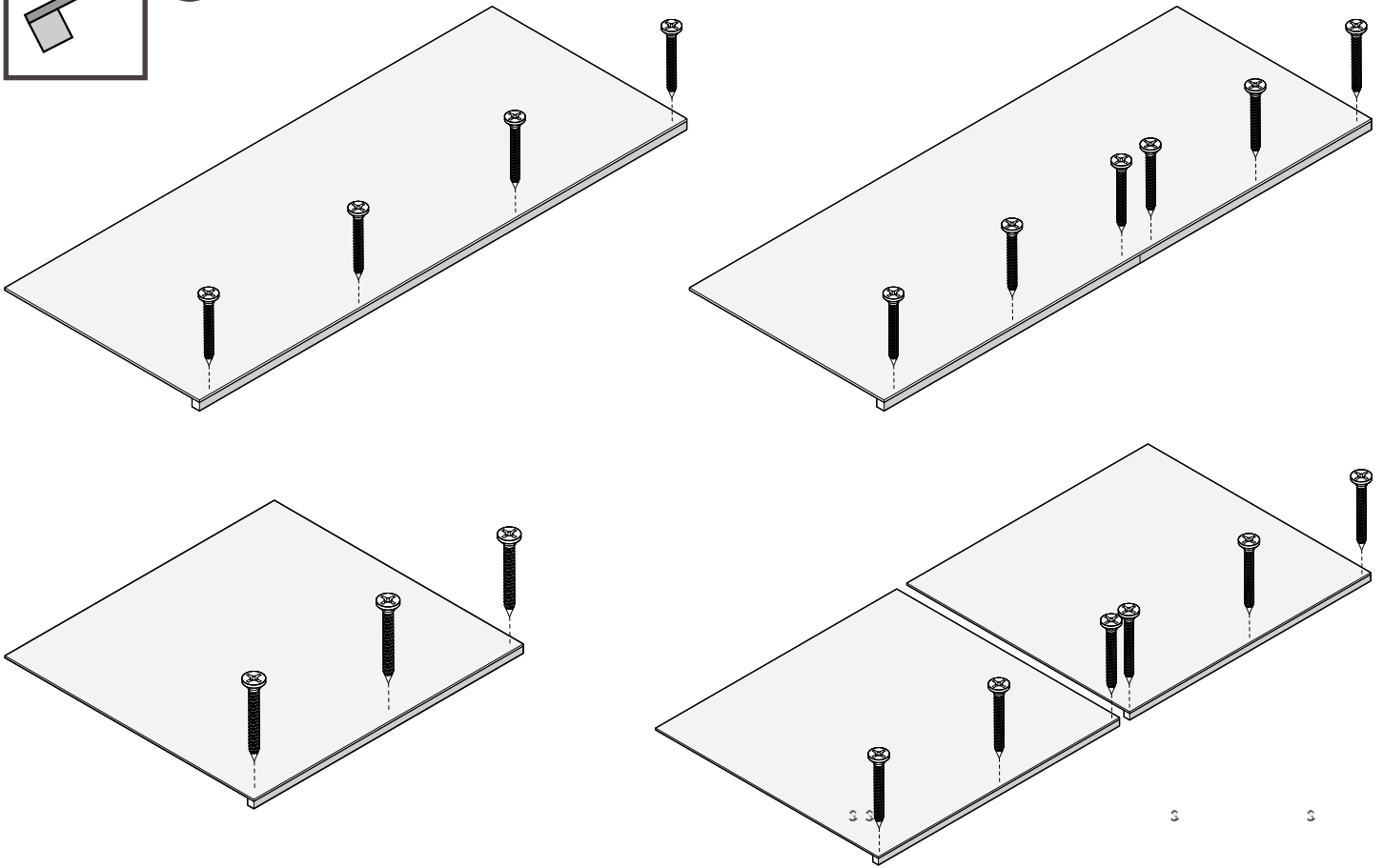


STEP 1: OSB ROOF SHEETS & ROOF STRIPS

PEX & REVERSE PEX SHEDS

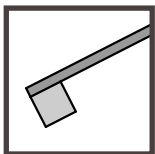


30MM
SCREWS

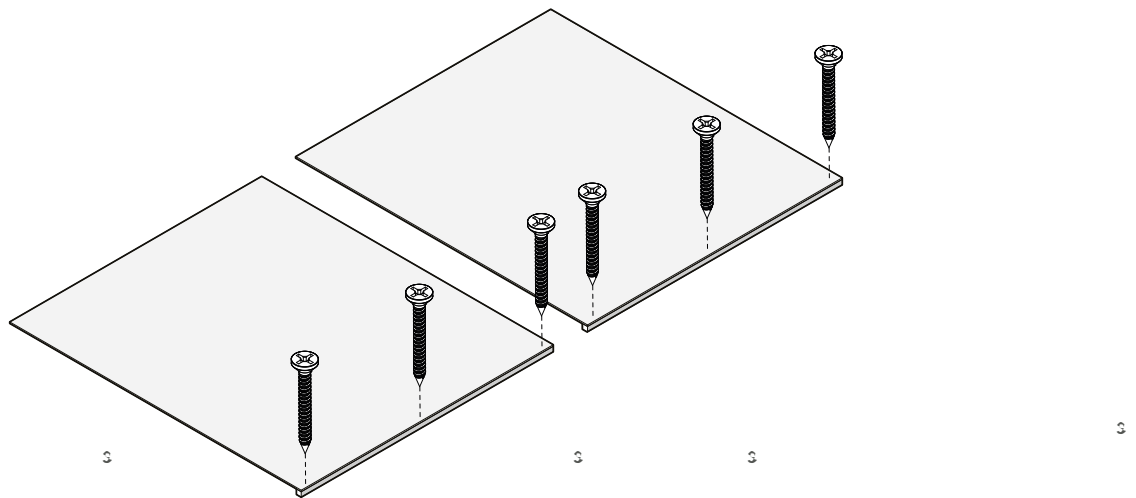


OSB ROOF SHEETS & ROOF STRIPS

Position and secure the Roof Strip(s) along the edge of each OSB Roof Sheet as shown above. The Roof Strip(s) will be the same length as the OSB sheet edge. Ensure the Roof Strips are flush to the OSB Roof Sheet edge. Repeat the process for multiple sheets.

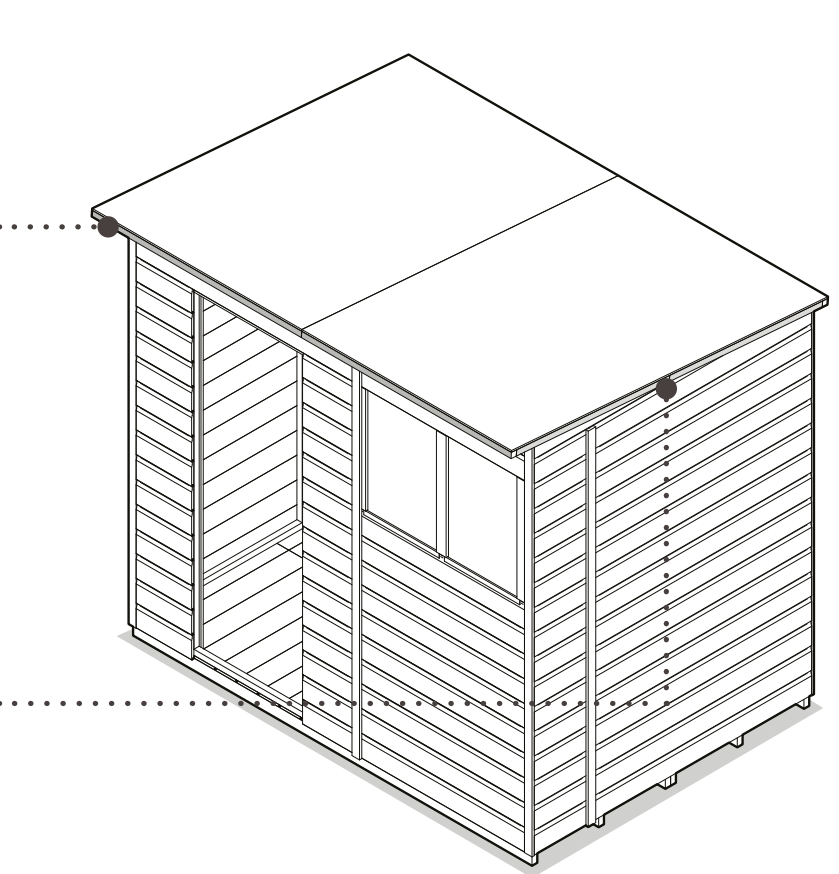
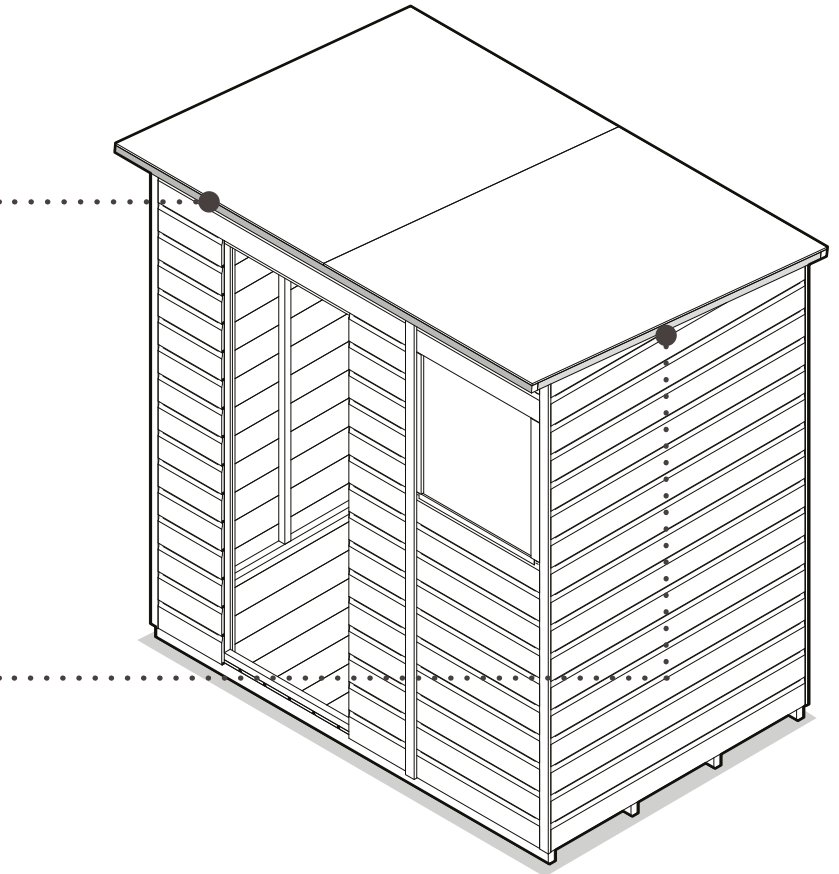
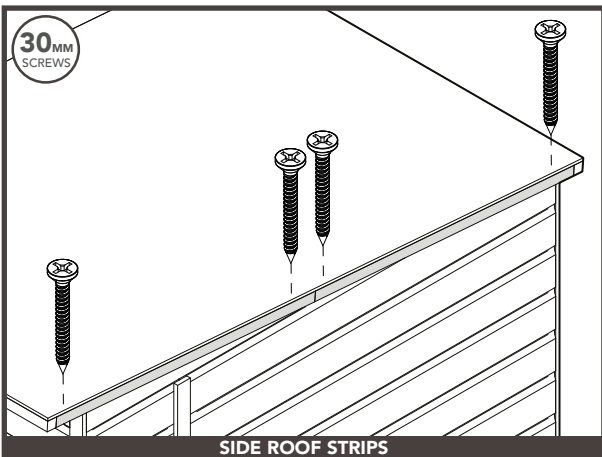
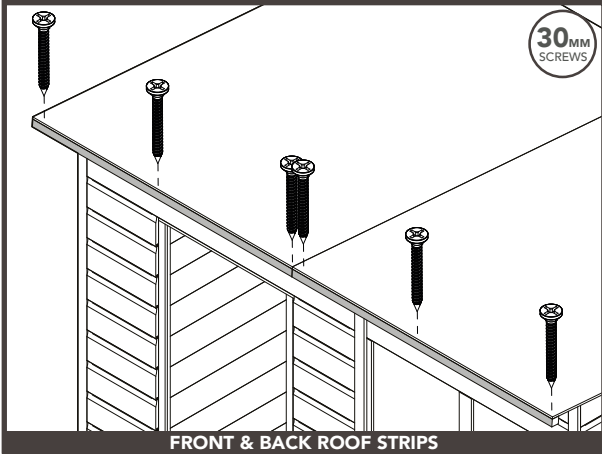
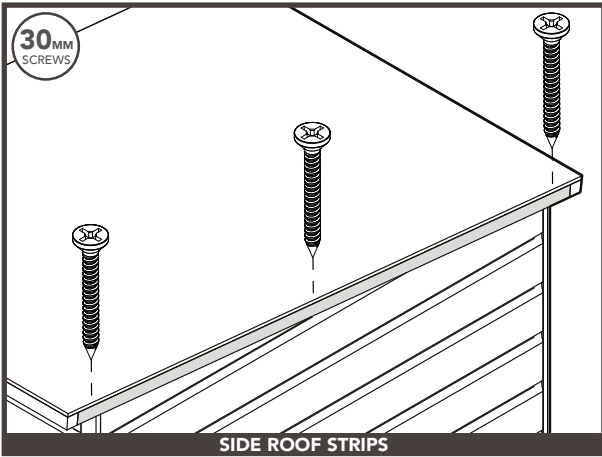
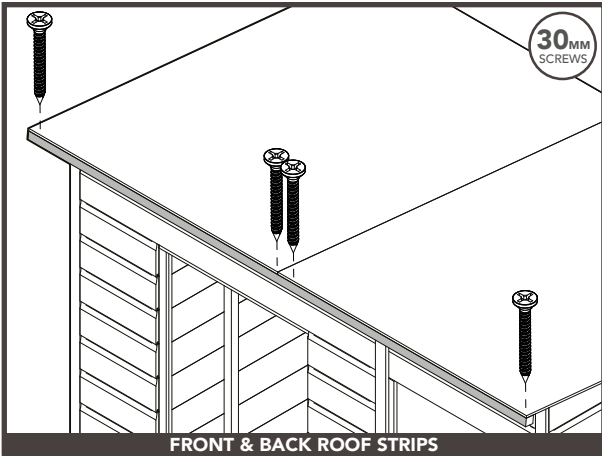


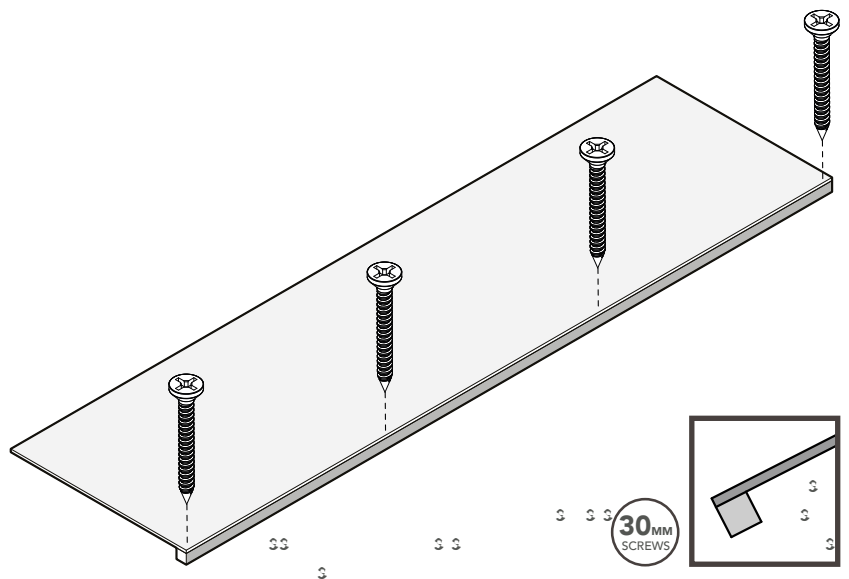
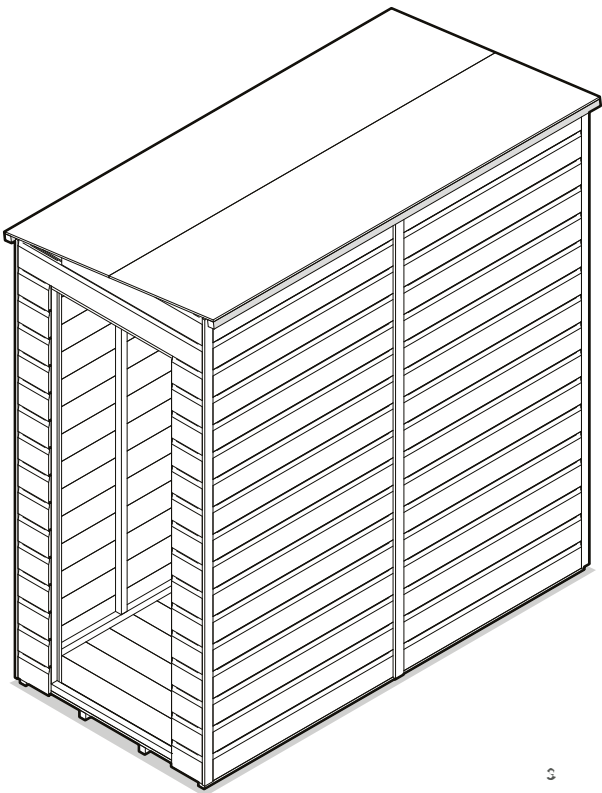
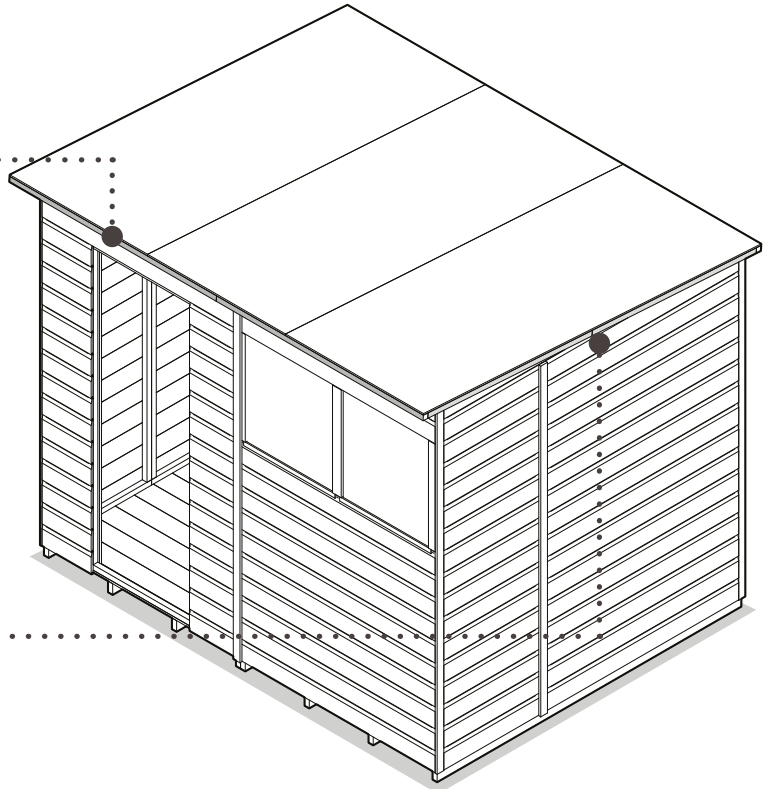
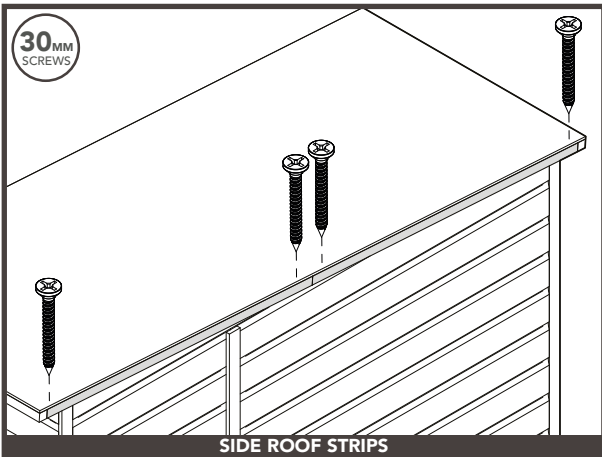
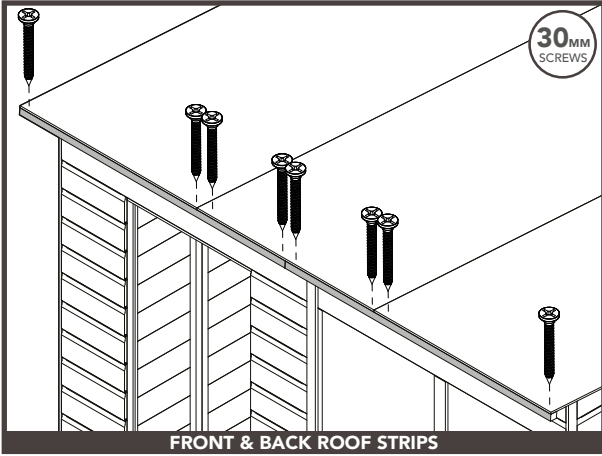
30MM
SCREWS



10x15 & 10x20 OSB ROOF SHEETS & ROOF STRIPS

The 10x15 and 10x20 workshops have two different OSB Roof Sheet sizes and Roof Strips sizes. The other OSB Roof Sheet and Roof Strip are 1491mm. The Middle OSB Roof Sheet and Roof Strip are 1455mm.



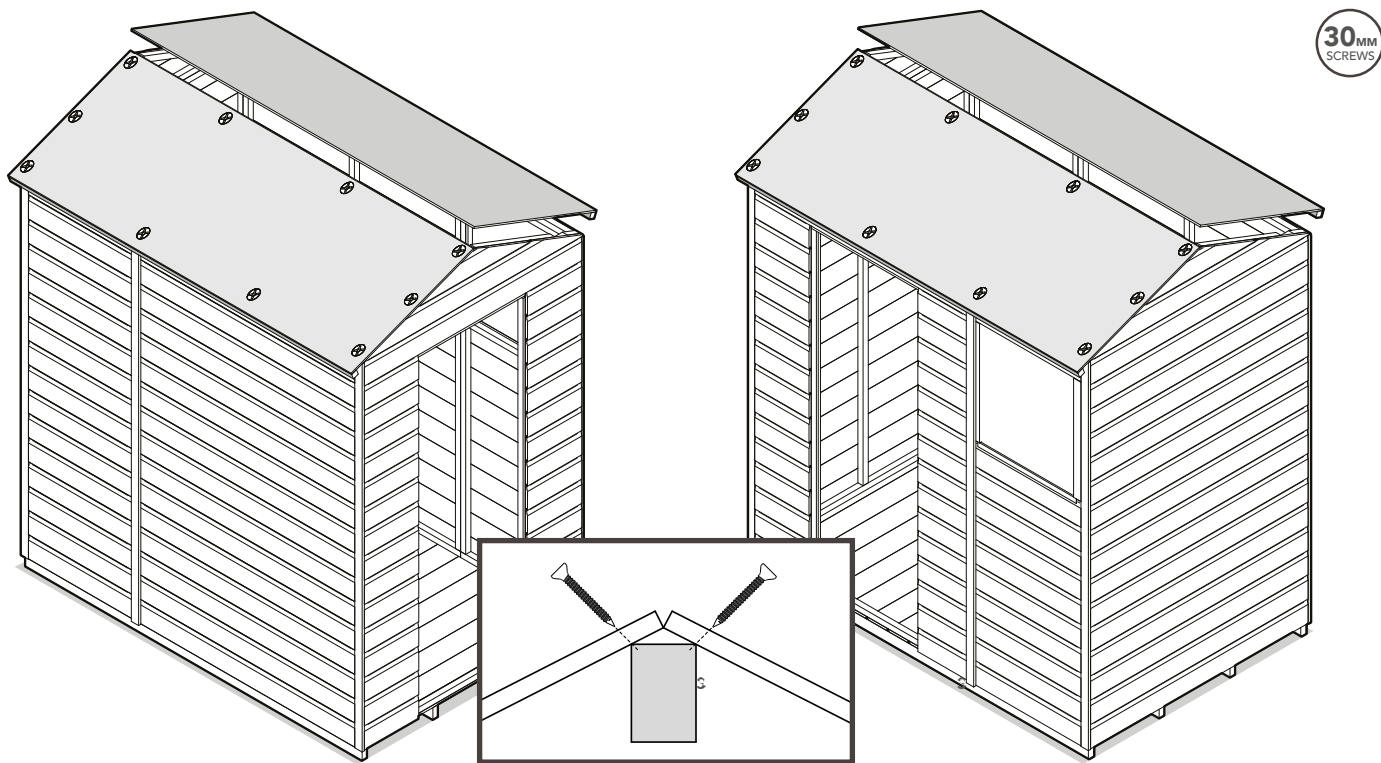


PENT ROOF STRIPS

Position your OSB Roof Sheets onto your shed. Position and secure your Front and Back Roof Strips on the OSB Roof Sheet. Ensure they are flush along the edge. Position and secure your Side Roof Strips on the OSB Roof Sheet at the corners. The strips will be in between your Front and Back Roof Strips. Take note of the different placement options shown above. Add your Roof Strips before securing your OSB Roof Sheet.

STEP 2: SECURE ROOF SHEETS

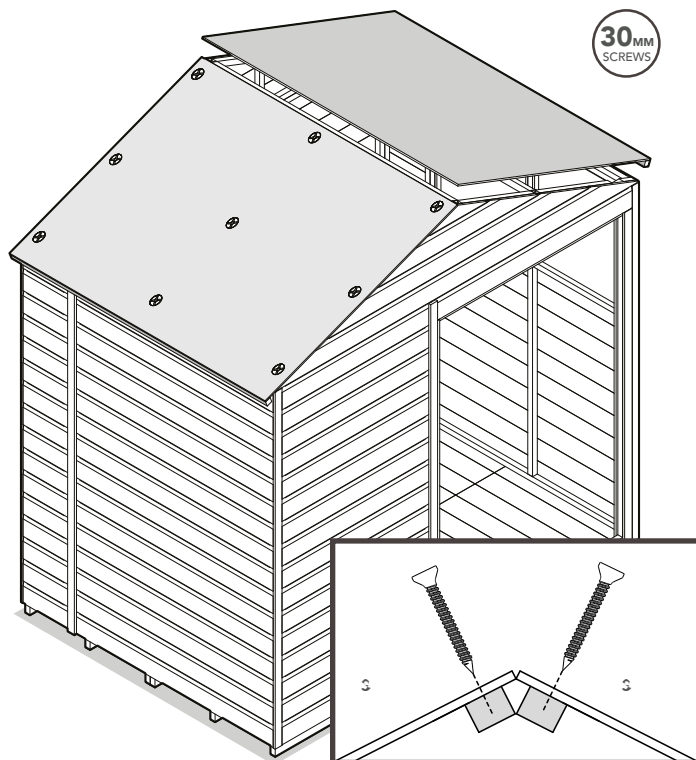
SHEDS WITH SINGLE RIDGE



ROOF SHEETS

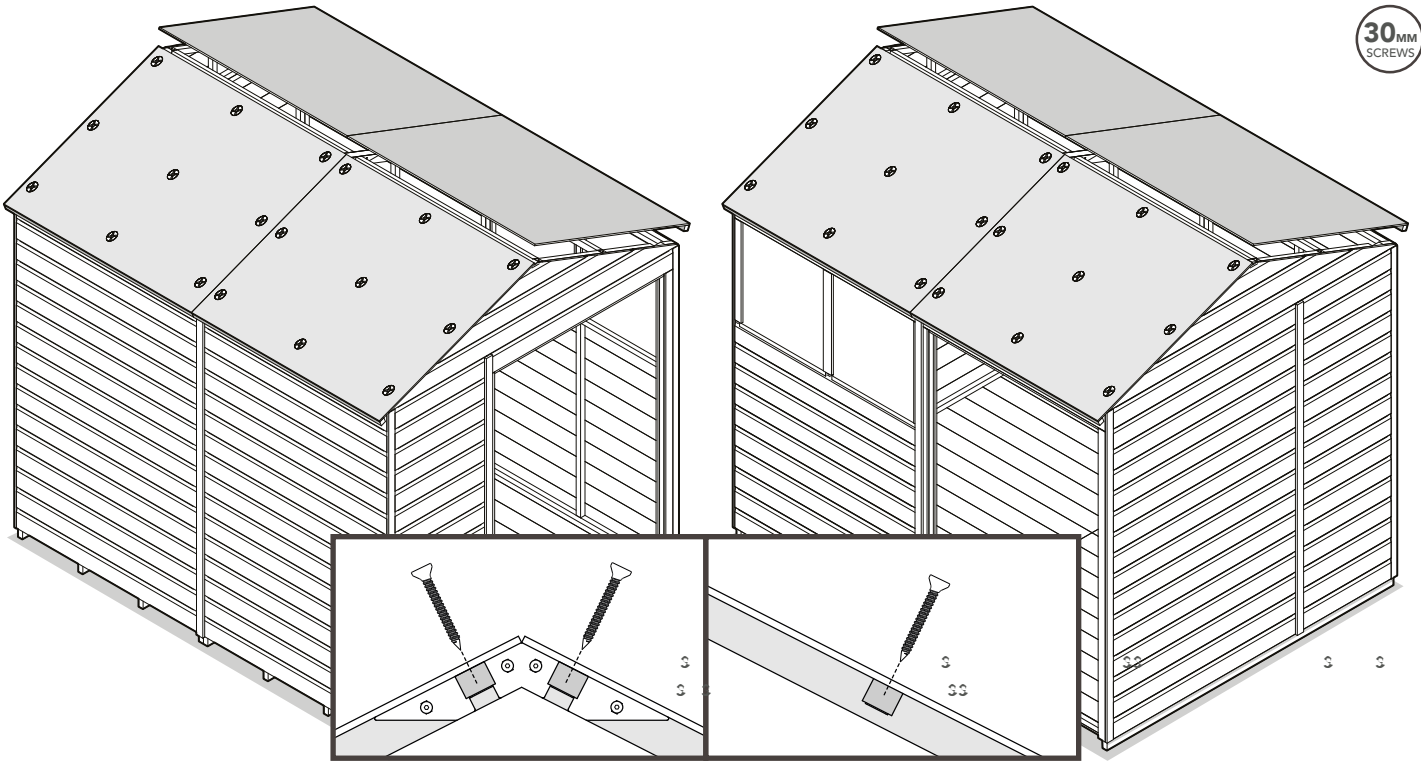
Position and secure the OSB Roof Sheets to the gable Section frame work, Side Panel frame work and the Ridge Beam.

SHEDS WITH ROOF BEAMS



ROOF SHEETS

Position and secure the OSB Roof Sheets to the gable Section frame work, Side Panel frame work and the Roof Beam.

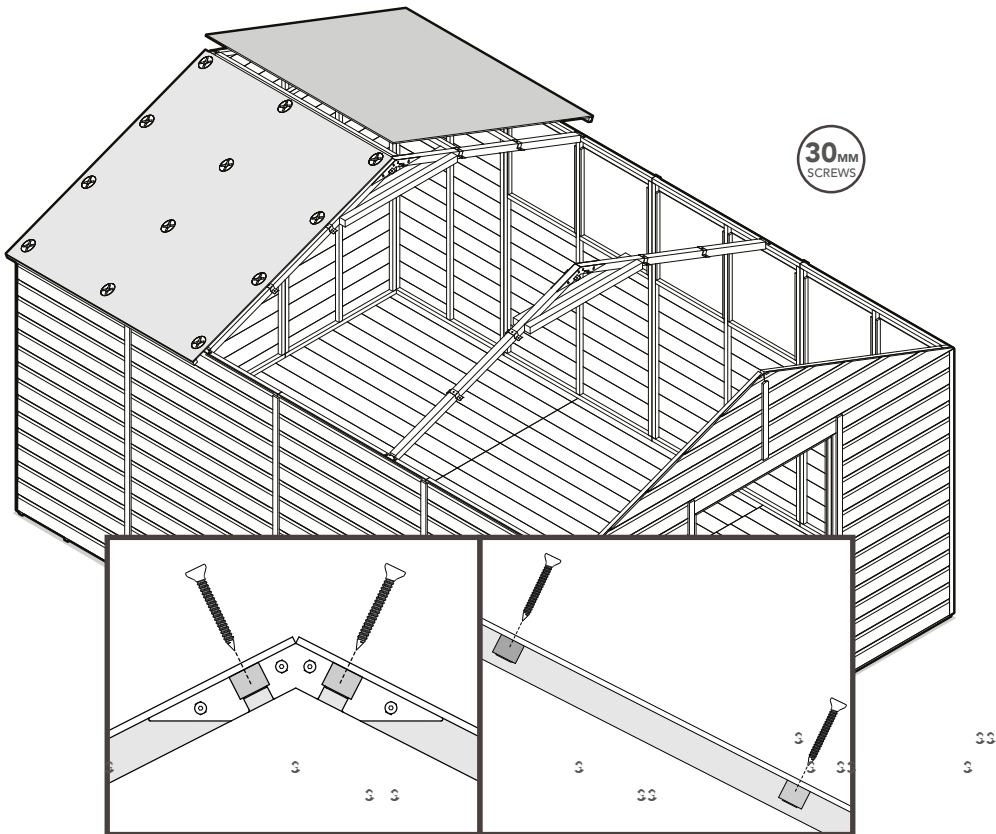


ROOF SHEETS

Position and secure the OSB Roof Sheets on the gable Section frame work, Side Panel frame work, Truss, and Roof Beam. Ensure each OSB Roof Sheet is half a gable on the Truss.

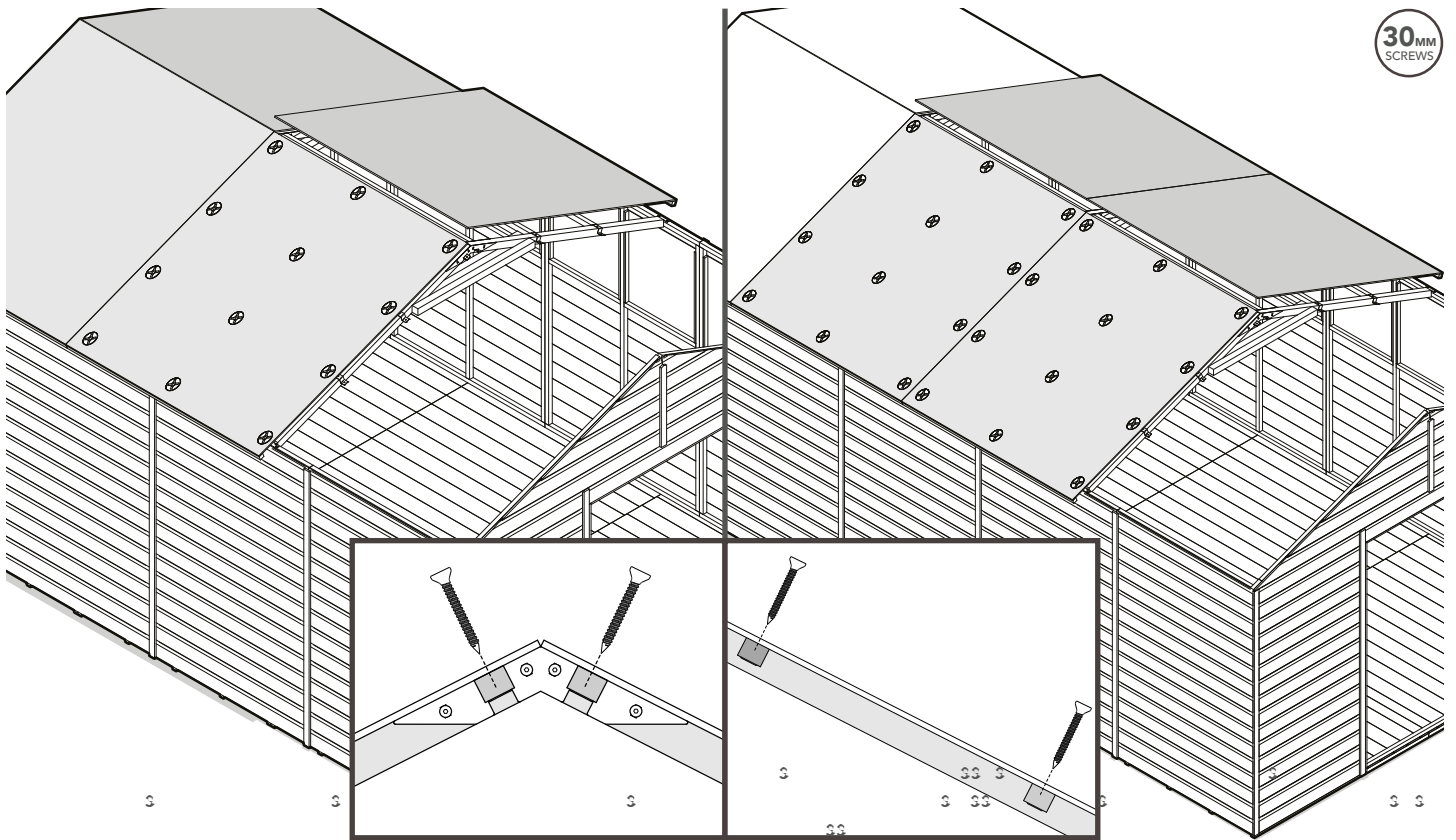
WORKSHOPS WITH MULTIPLE TRUSSES

Assemble your OSB roof sheets with the roof structure fixing packs (6) for the 10x15 and 10x20 workshops.



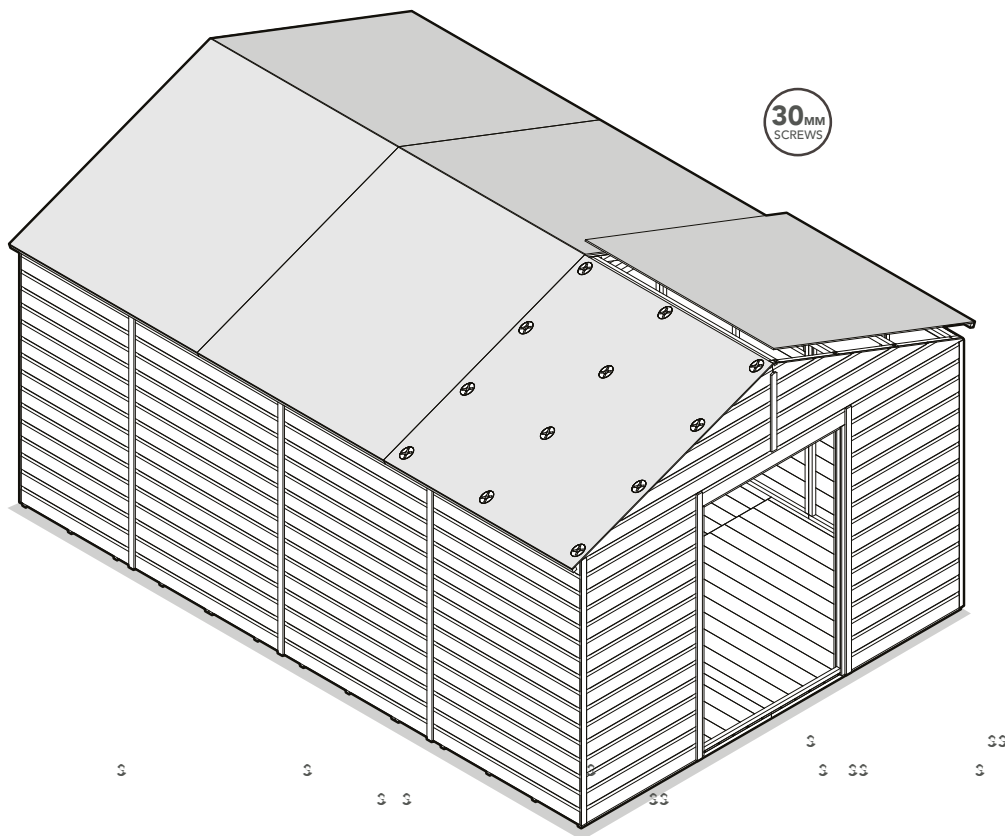
OUTER ROOF SHEETS

Position and secure the Outer OSB Roof Sheets on the gable Section frame work, Side Panel frame work, Truss, and Outer Roof Beam. The Outer Roof Sheets are 1491mm. In all the Outer Roof Sheets, the Roof Beam is embedded. Ensure each OSB Roof Sheet is half a gable on the Truss.



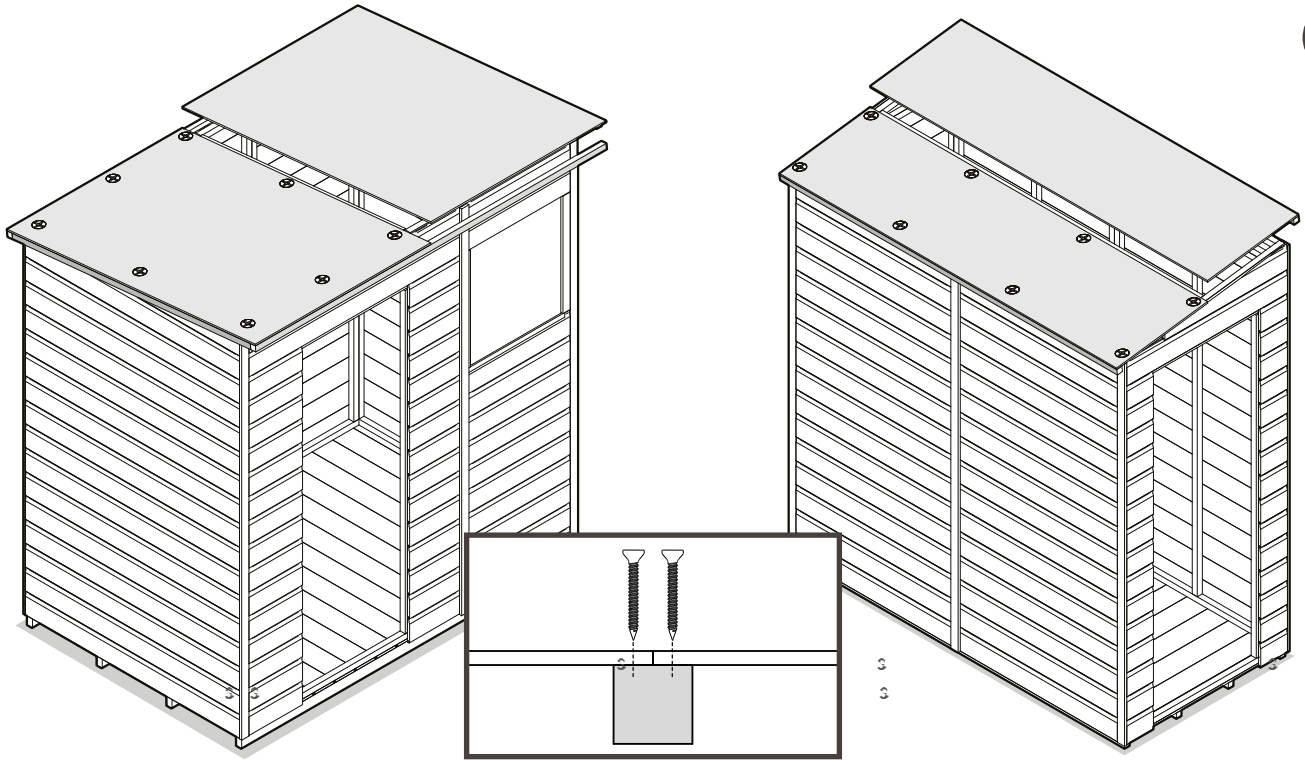
MIDDLE ROOF SHEETS

Position and secure the Middle OSB Roof Sheets on the Side Panel frame work, Truss, and Middle Roof Beam. The Middle Roof Sheets are 1495mm. In all the Middle Roof Sheets, the Middle Roof Beam is embedded. Ensure each OSB Roof Sheet is half a rafter on the Truss.



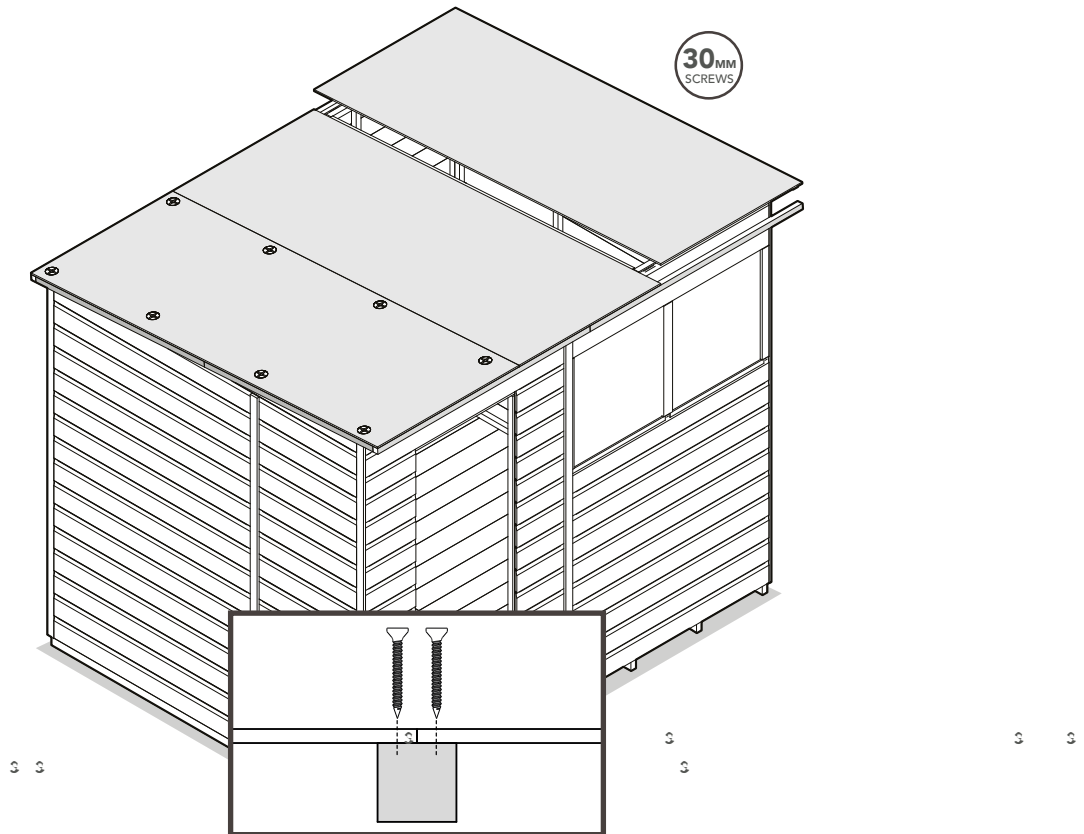
OUTER ROOF SHEETS

Position and secure the Outer OSB Roof Sheets on the Upper Section frame work, Side Panel frame work, Truss, and Outer Roof Beam. The Outer Roof Sheets are 1491mm. In all the Outer Roof Sheets, the Roof Beam is embedded. Ensure each OSB Roof Sheet is half a rafter on the Truss.



ROOF SHEETS

Position and secure the OSB Roof Sheets on the Pen Section frame work, Side Panel frame work and the Roof Beam. Ensure each OSB Roof Sheet is half a span on the Roof Beam. The overhang at the back should be approximately 45-5 mm.

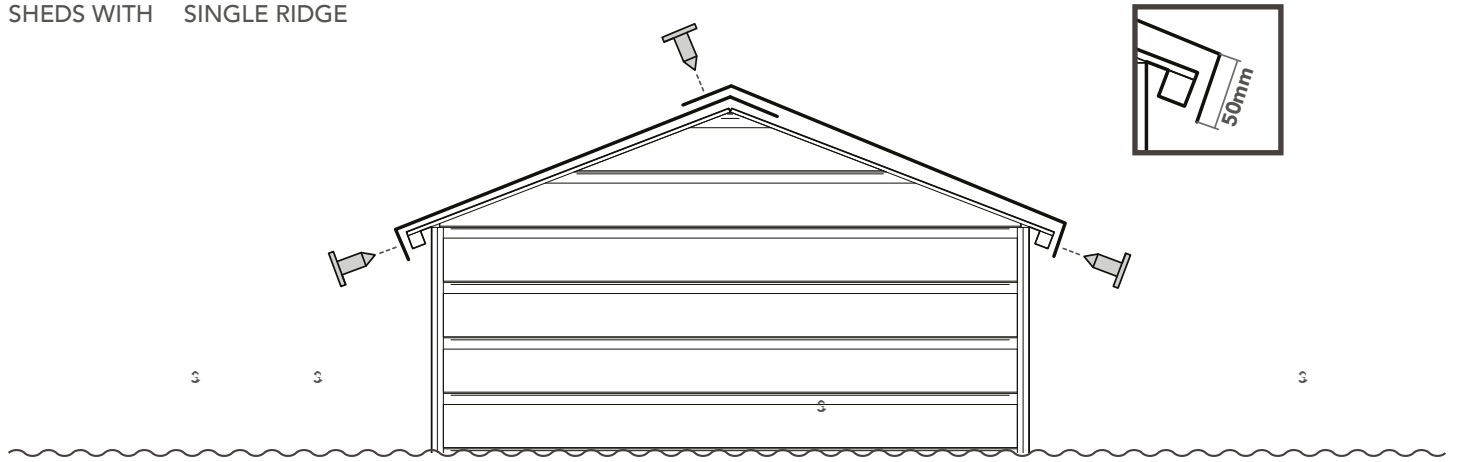


ROOF SHEETS

Position and secure the OSB Roof Sheets on the Pen Section frame work, Side Panel frame work and the Roof Beam. Ensure each OSB Roof Sheet is half a span on each Roof Beam. The overhang at the back should be approximately 45-5 mm.

STEP 3: FELT

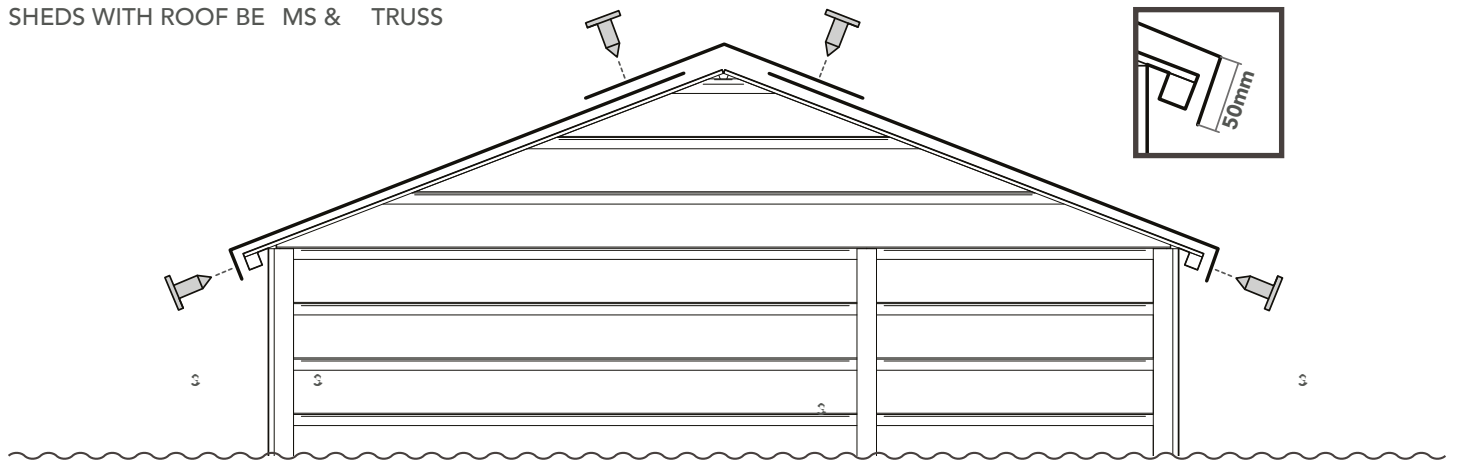
SHEDS WITH SINGLE RIDGE



2 x FELT PIECES

Measure out 2 equal lengths, cut with a sharp knife, overlap them on top, around the edges and fold the corners; tack to keep secure. Ensure there is a 5 mm overlap at the bottom and work from the bottom of the top. Hammer the tack into the felt a 15 mm interval.

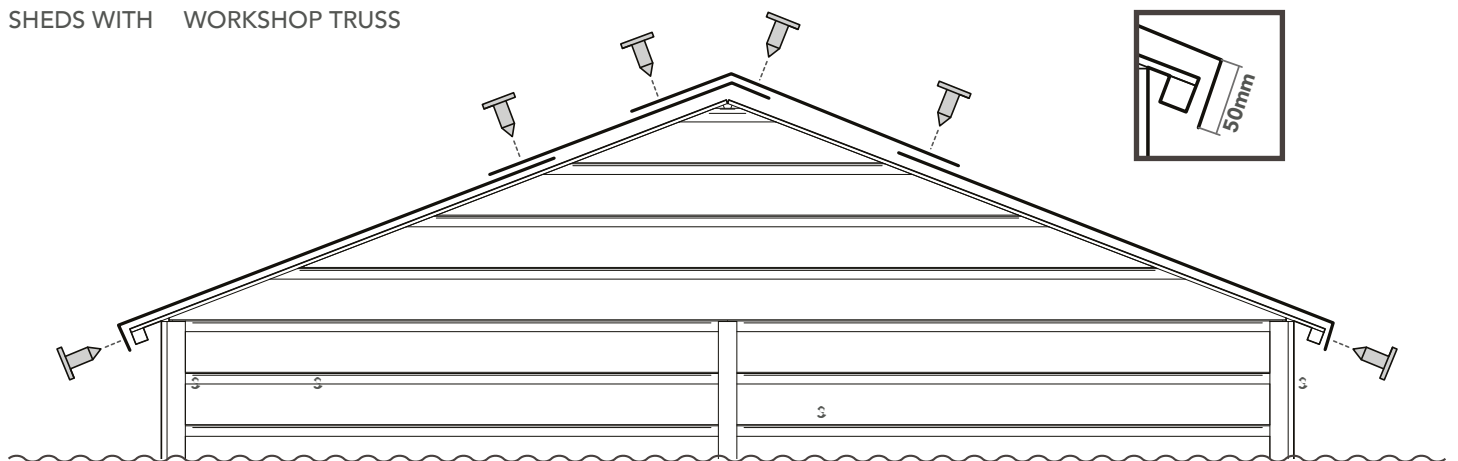
SHEDS WITH ROOF BEAMS & TRUSS



3 x FELT PIECES

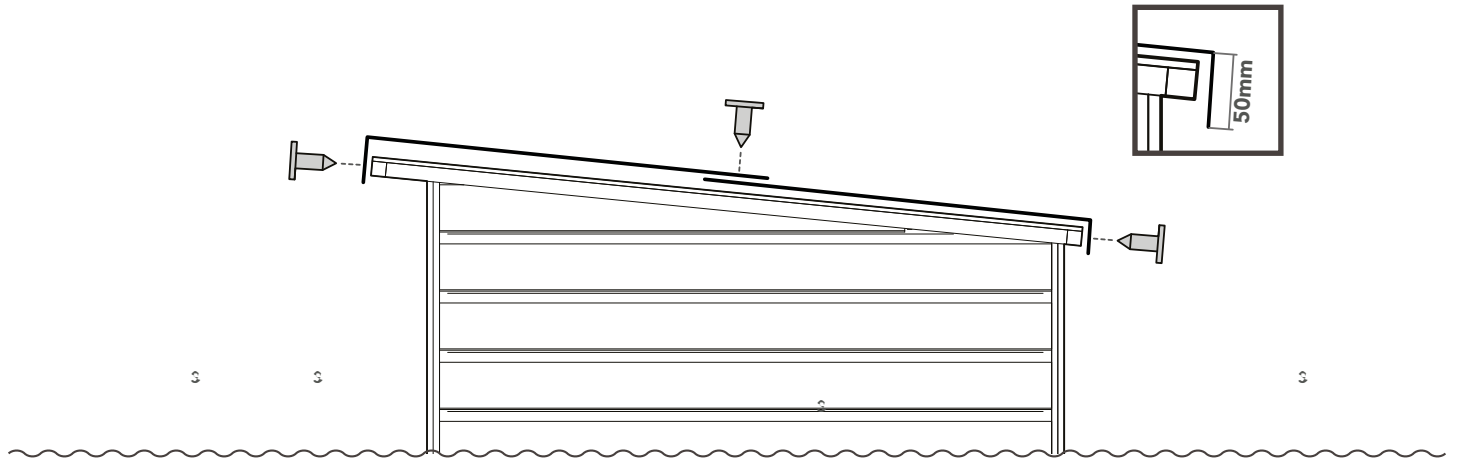
Measure out 3 equal lengths, cut with a sharp knife, overlap them on top, around the edges and fold the corners; tack to keep secure. Ensure there is a 5 mm overlap at the bottom and work from the bottom of the top. Hammer the tack into the felt a 15 mm interval.

SHEDS WITH WORKSHOP TRUSS



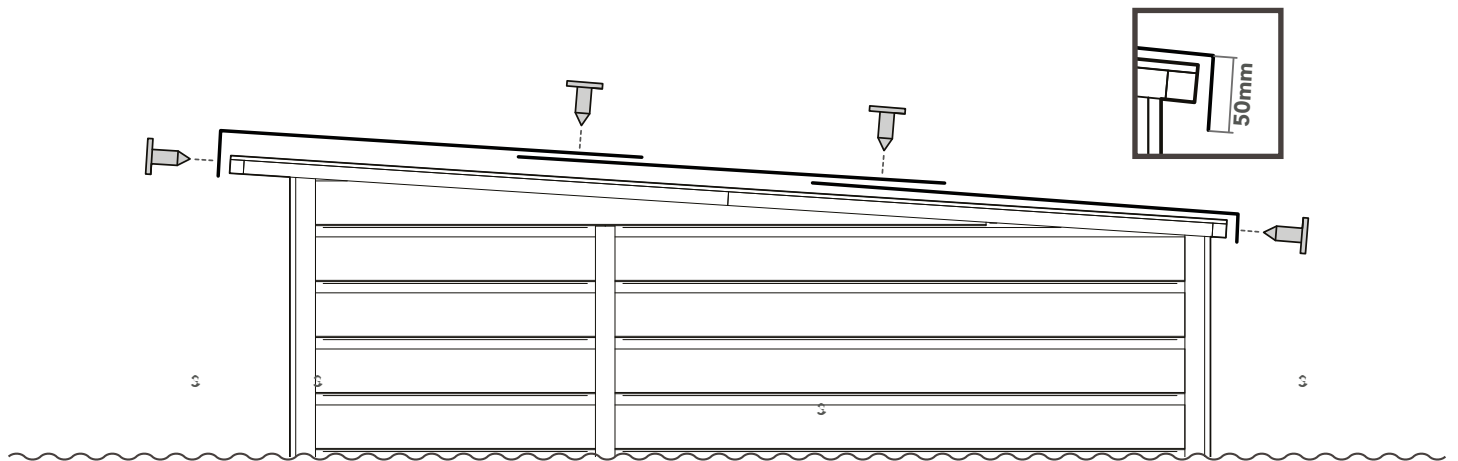
4 x FELT PIECES

Measure out 4 equal lengths, cut with a sharp knife, overlap them on top, around the edges and fold the corners; tack to keep secure. Ensure there is a 5 mm overlap at the bottom and work from the bottom of the top. Hammer the tack into the felt a 15 mm interval.



2 x FELT PIECES

Measure out 2 equal lengths, cut with a sharp knife, overlap them on top, around the edges and fold the corners; tack to keep secure. Ensure there is a 5 mm overhang at the bottom and work from the bottom of the slope. Hammer the back into the felt a 15 mm interval.



3 x FELT PIECES

Measure out 3 equal lengths, cut with a sharp knife, overlap them on top, around the edges and fold the corners; tack to keep secure. Ensure there is a 5 mm overhang at the bottom and work from the bottom of the slope. Hammer the back into the felt a 15 mm interval.

SHED INSTRUCTIONS

F SCI 'S & FINI LS (8)

FIXING PACK CONTAINS:

FIXING PACK CODE: SHEDFASCIASFP



4 **40mm Scre**
QTY: 16



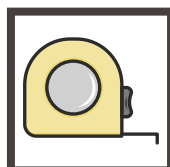
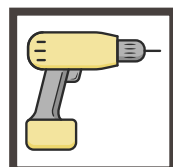
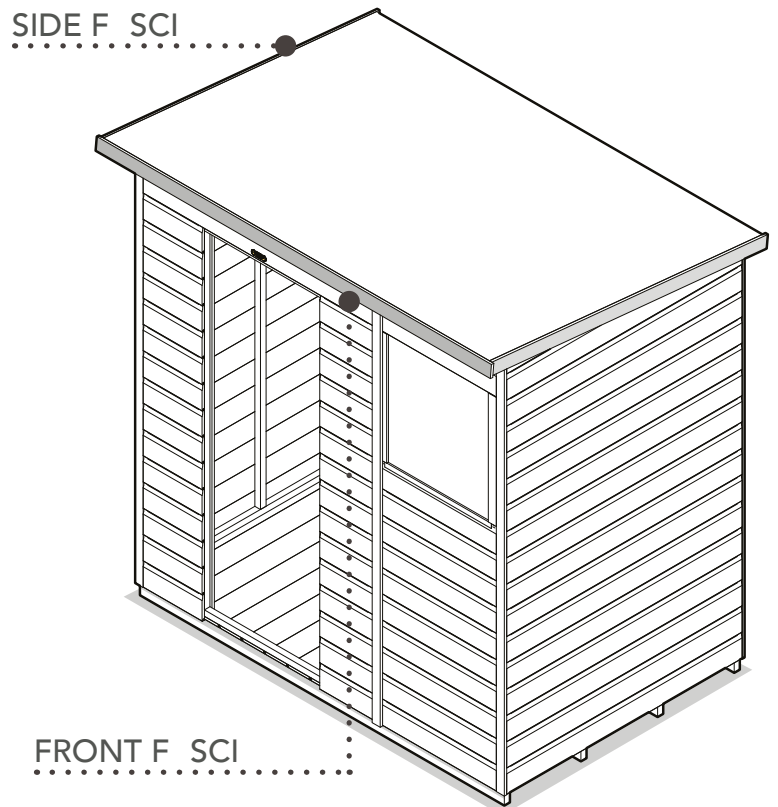
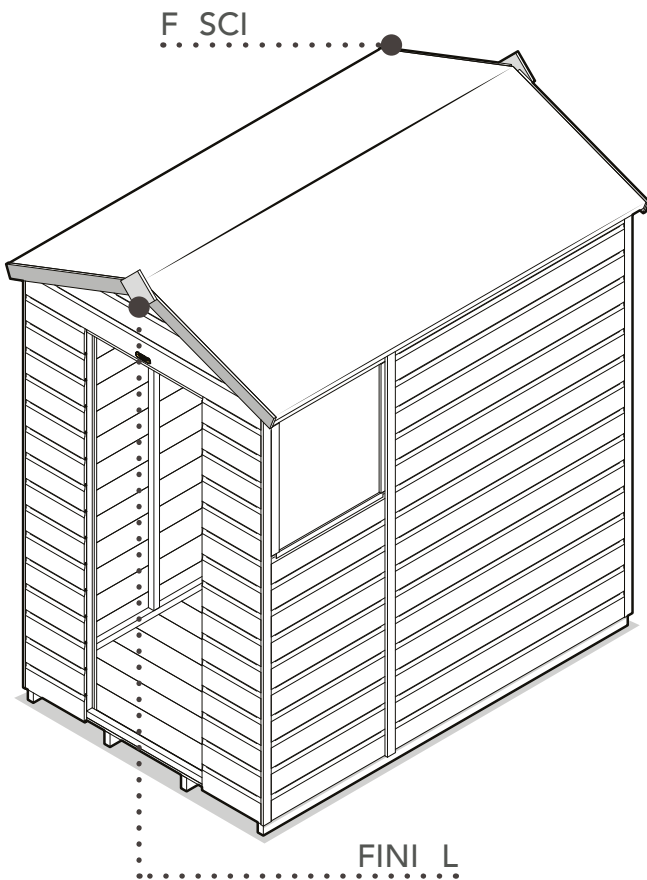
5 **25mm Scre**
QTY: 4



1. **25mm Pin**
QTY: 2

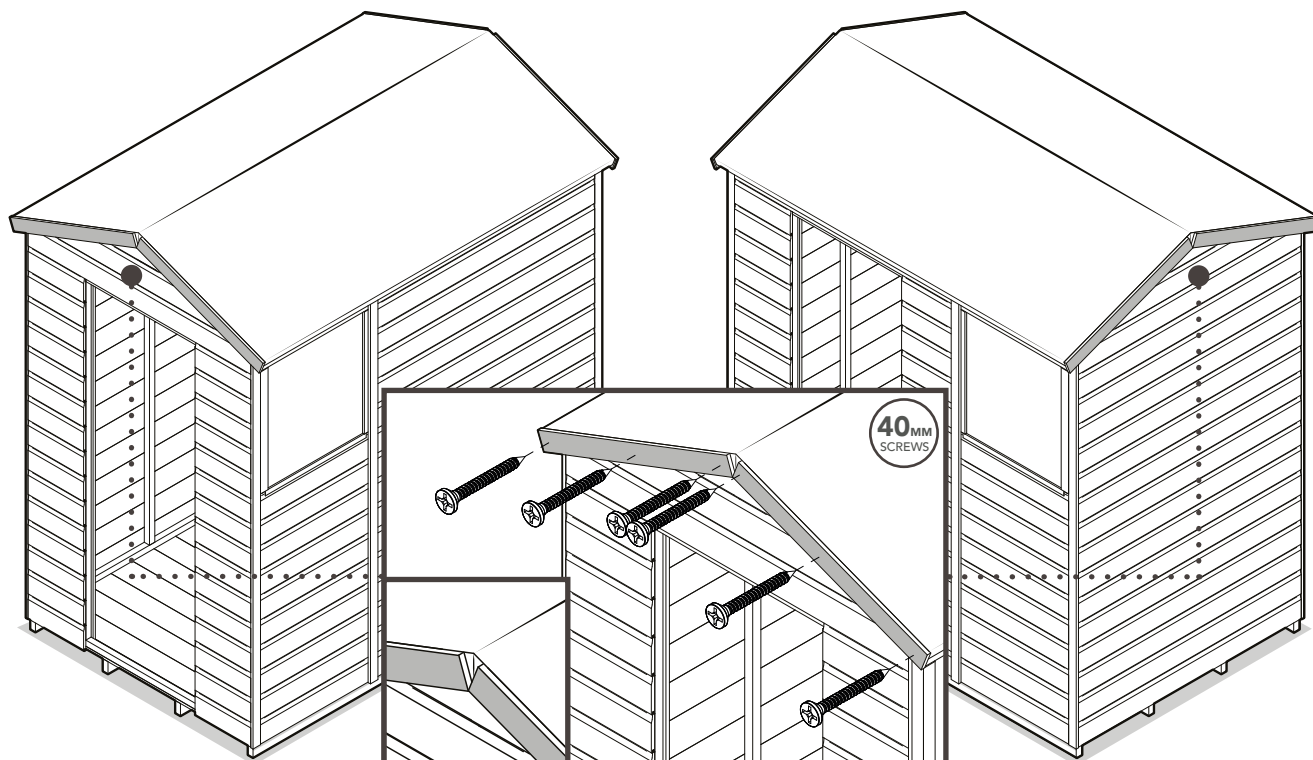


Beck wood **Badge**
QTY: 1

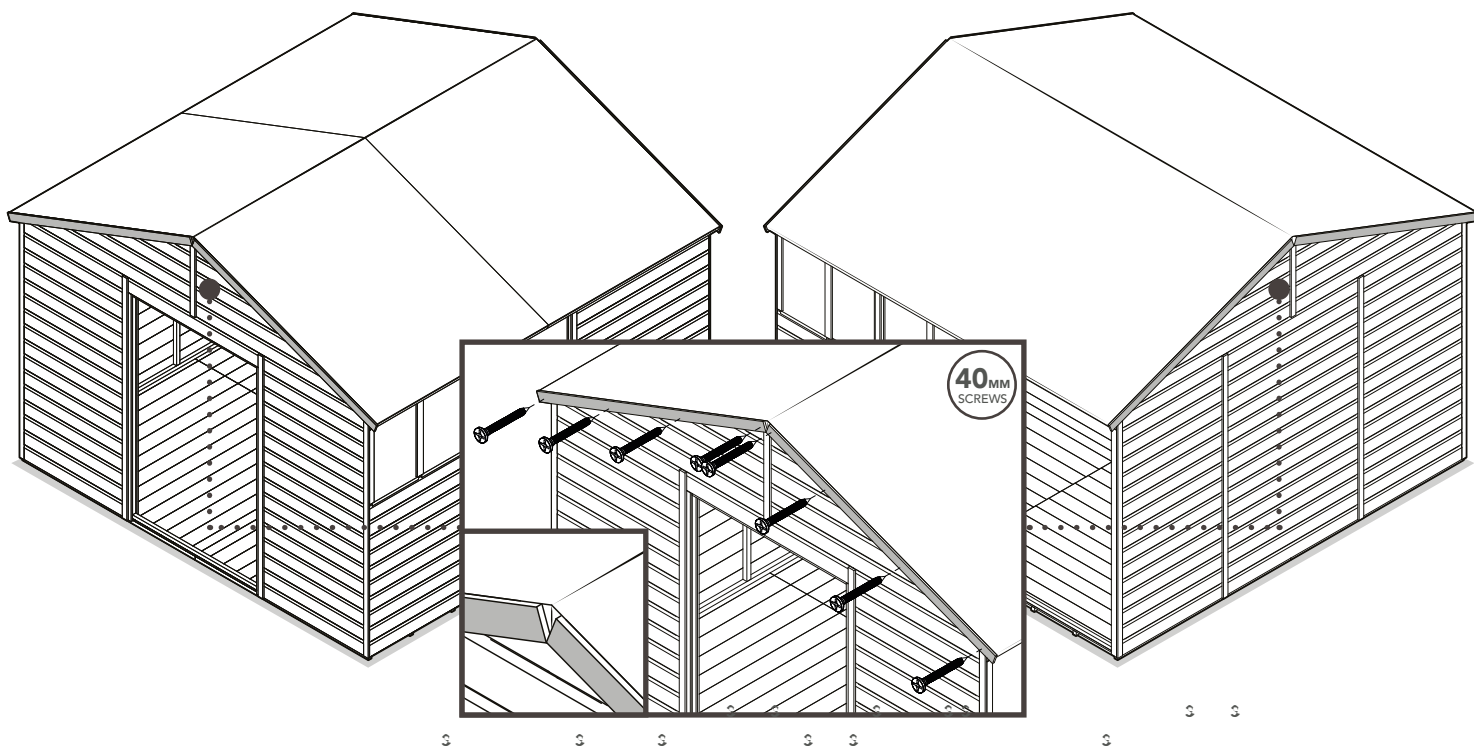


STEP 1: FASCIA ASSEMBLY

PEX & REVERSE PEX SHEDS



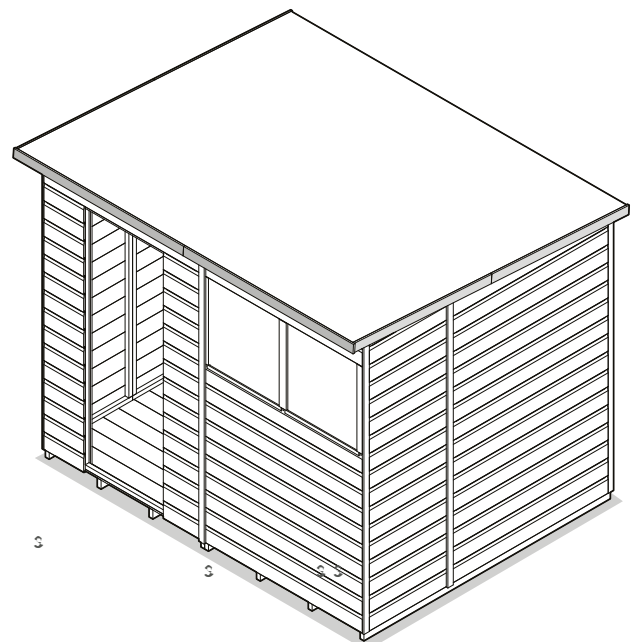
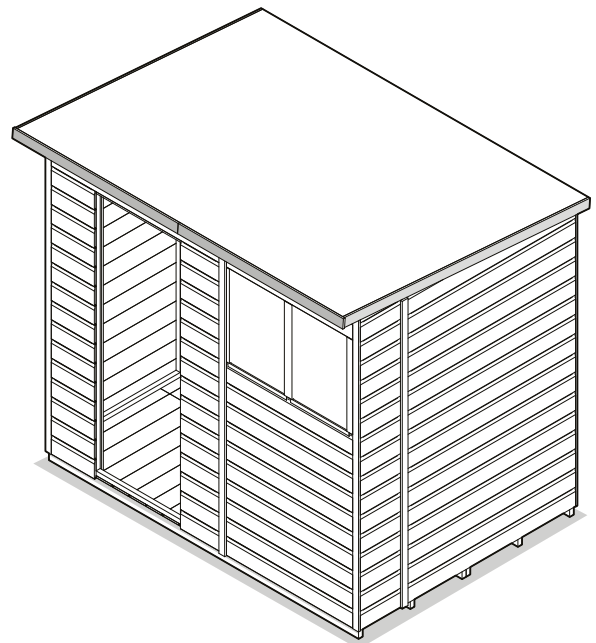
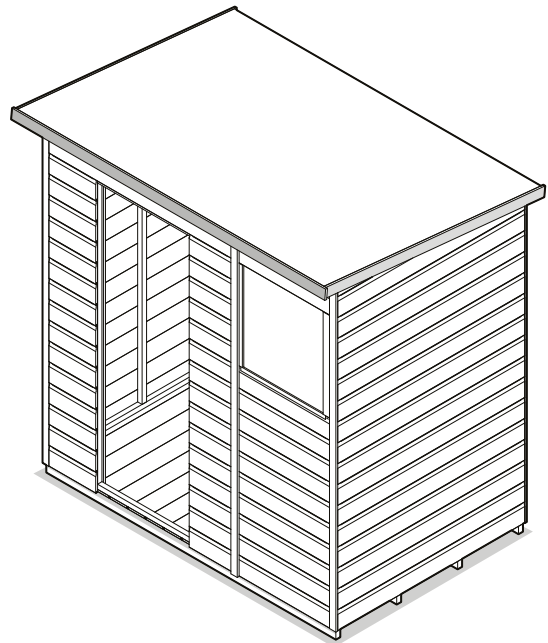
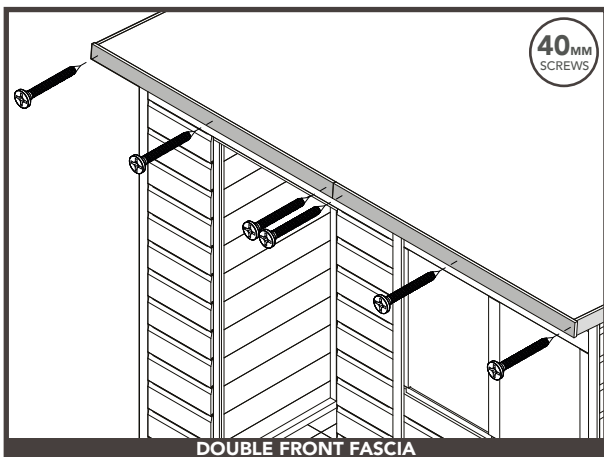
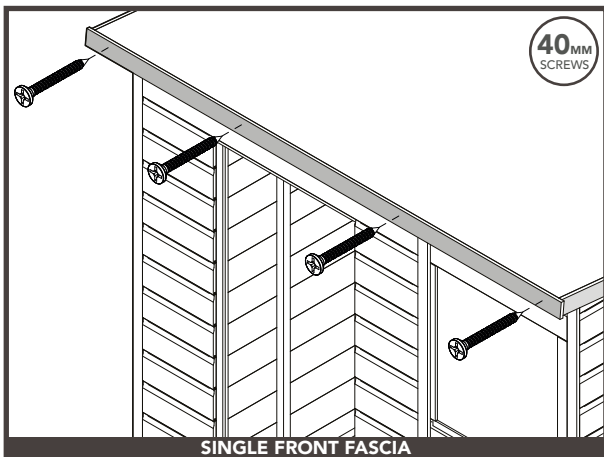
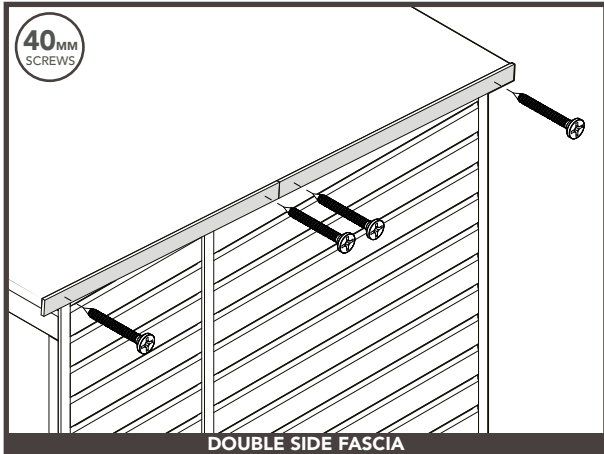
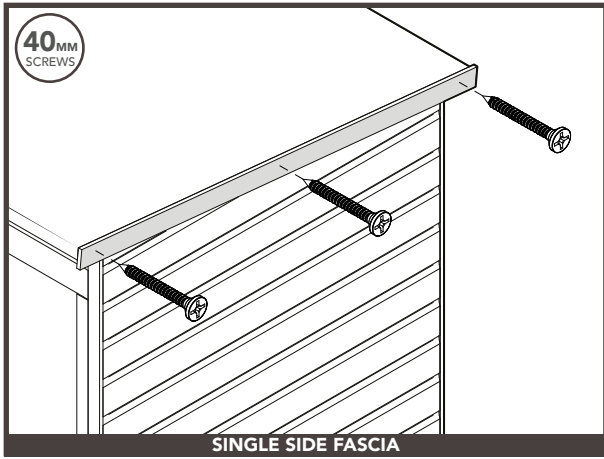
PEX & REVERSE PEX WORKSHOPS



APEX & REVERSE APEX FASCIA'S

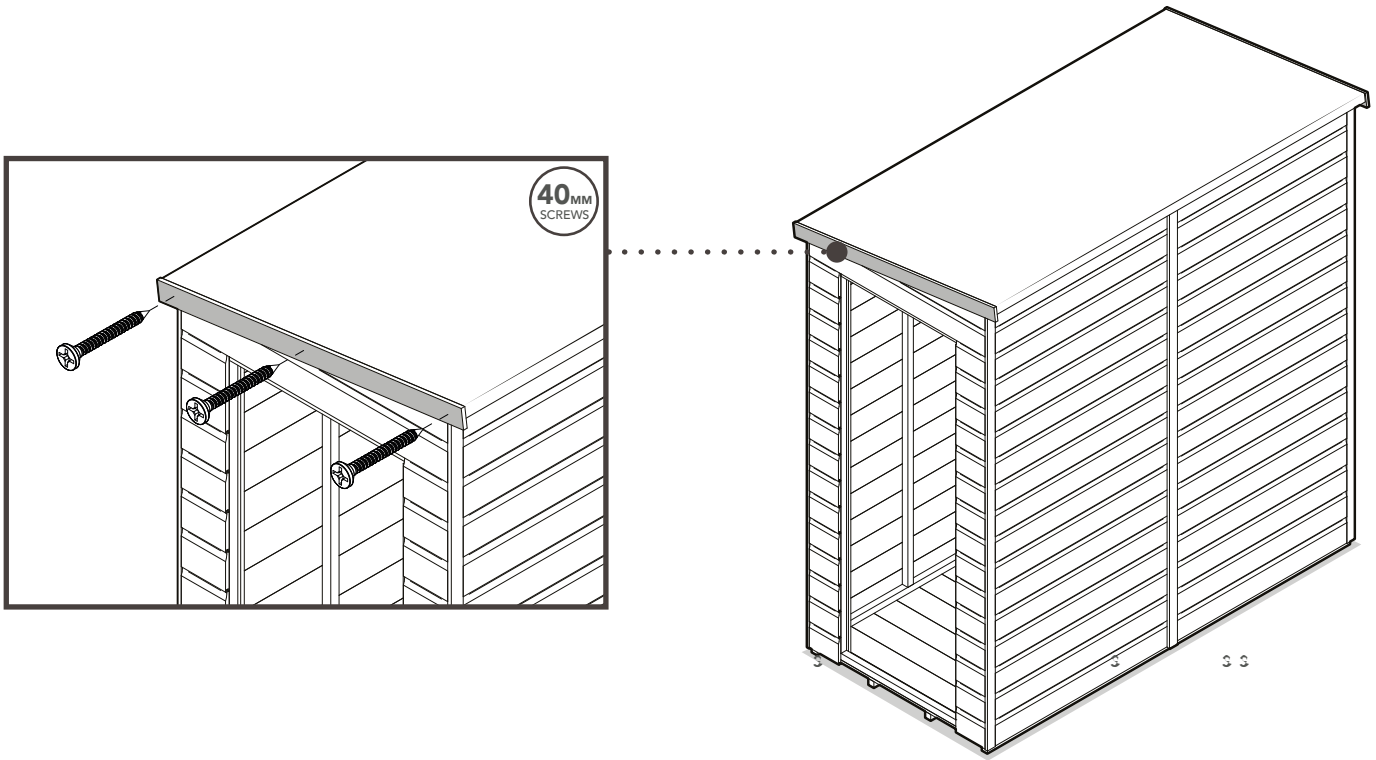
Position and secure the Fascia's on the front and back or the side of the shed as shown above. The fascia's bottom edge will meet each other when positioning. Ensure to secure the Fascia's into the Section frame work behind.

PENT SHEDS



PENT FASCIA'S

Position and secure the Side Fascia/Side Fascia's o he Roof S rip behind. Ensure they are flush to the front of the roof.
 Position and secure the Front Fascia/Front Fascia's o he Roof S rip behind a ho nabo e.

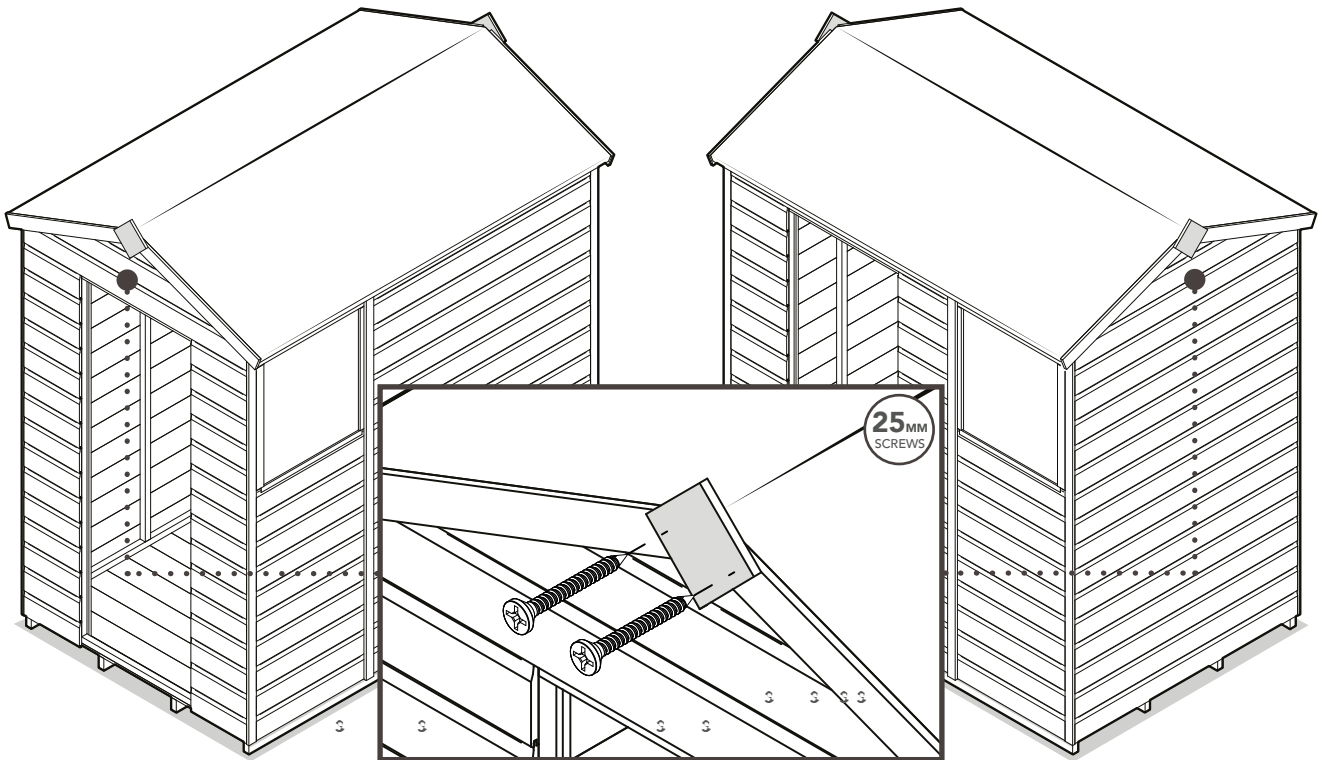


PENT FASCIA'S

Position and secure the Fascia's in o he fron and back Pen Section frame ork and Roof Strip behind a ho nabo e.

STEP 2: FINIAL ASSEMBLY

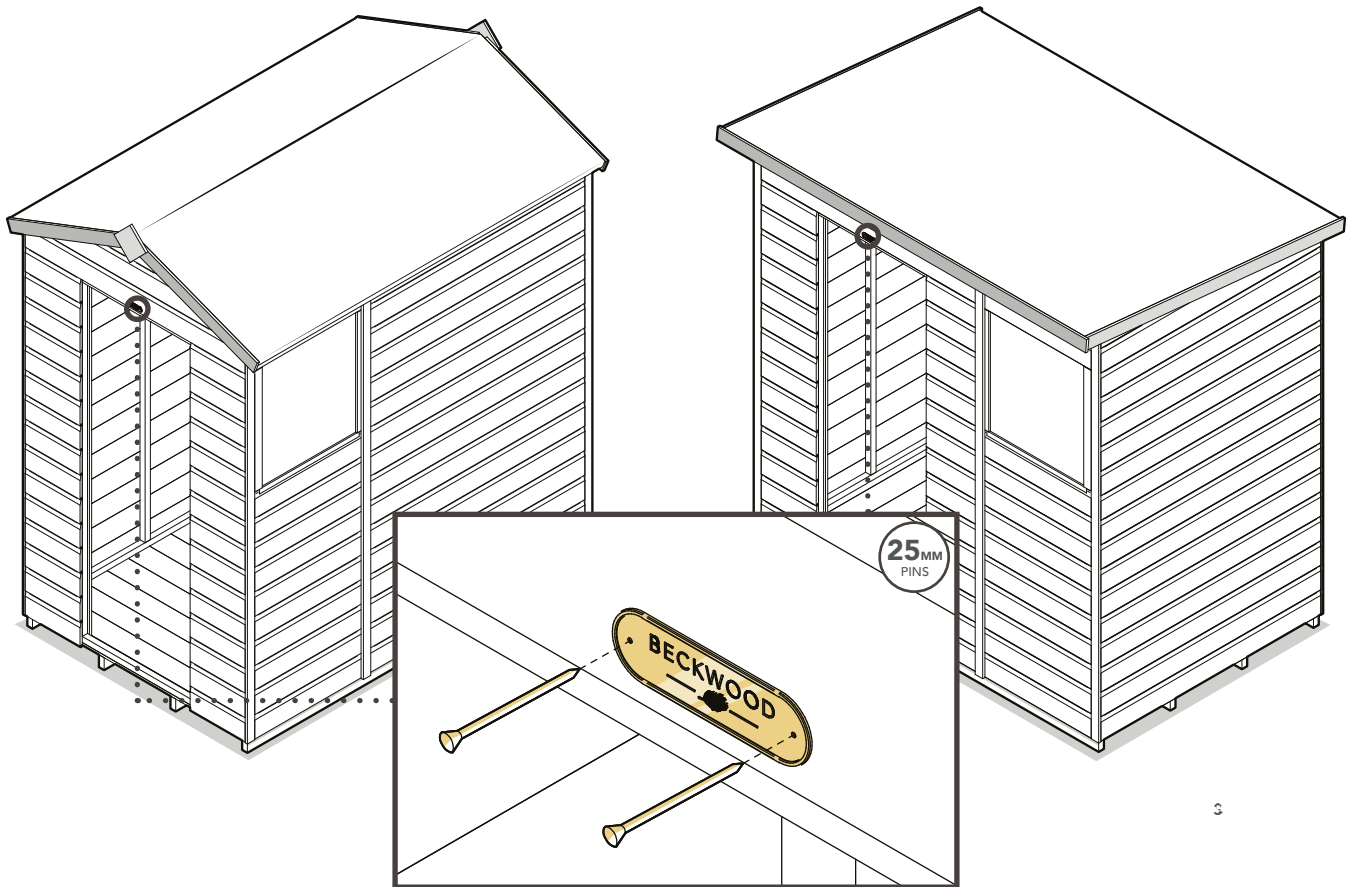
PEX & REVERSE PEX SHEDS ONLY



FINIALS

Position and secure the Finials o he Fa cia' a ho nabo e.
En re o ec re hro gh he Fa cia' in o he frame ork behind.

STEP 3: BADGE



PIN YOUR BADGE

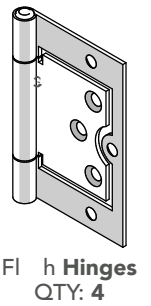
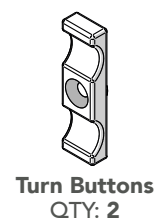
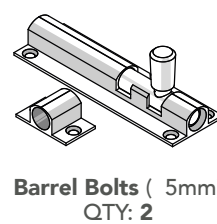
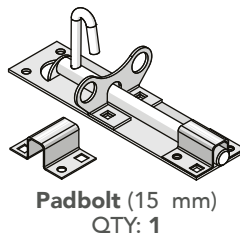
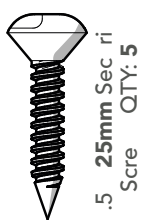
Position and secure your badge above the door opening, in the Door Panel frame work behind the pin provided.

SHED INSTRUCTIONS

DOUBLE DOOR INSTALLATION (9)

FIXING PACK CONTAINS:

FIXING PACK CODE: SHEDDOUBLEDORFP



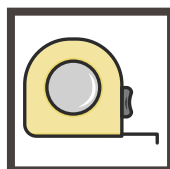
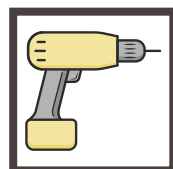
BARREL BOLT

FLUSH HINGE

SLIMMING STRIP

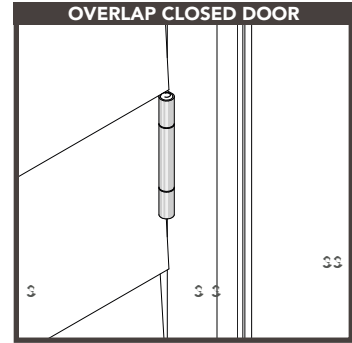
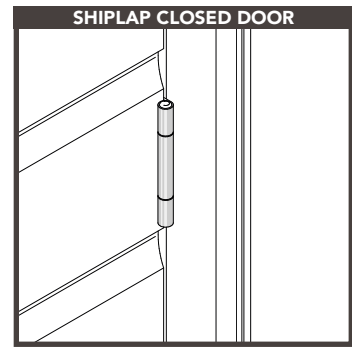
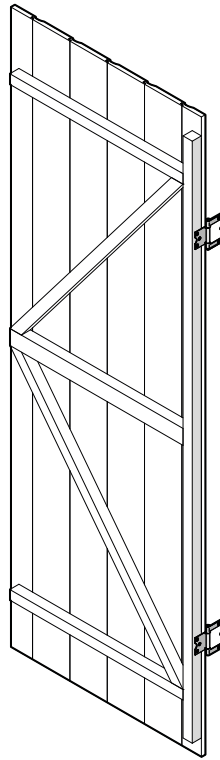
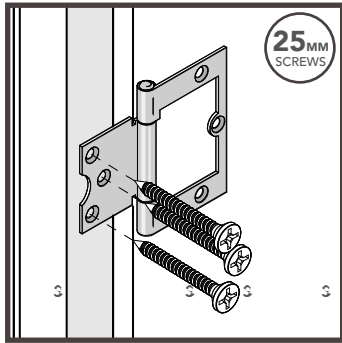
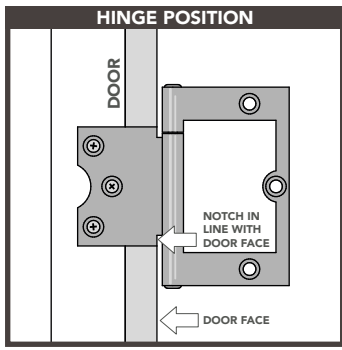
DOOR

PADBOLT



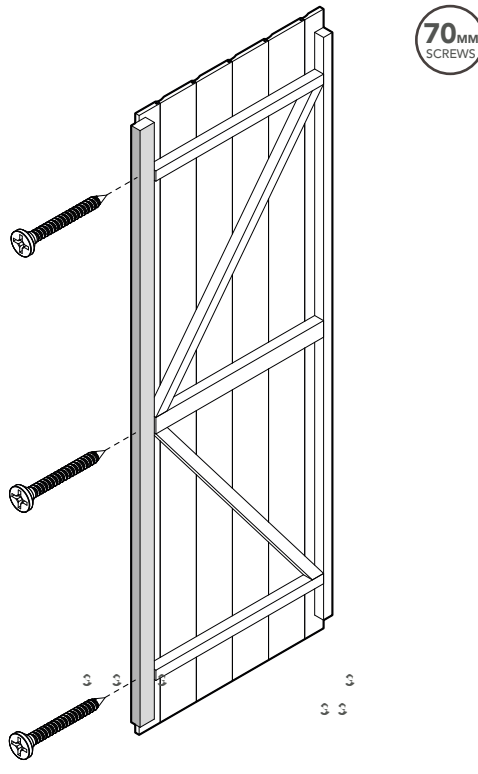
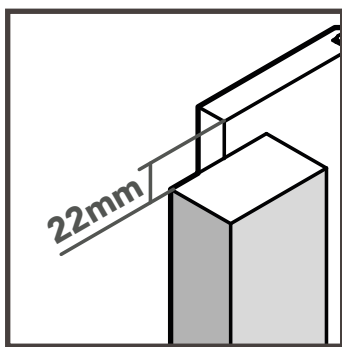
Please take care when installing the security screws.
Once the screws have been secured in place, you will be unable to unscrew them.

STEP 1: DOOR PREPARATION



DOOR HINGES

Position and secure 2 x hinges to the Door framework. Please take note of the hinge position. Repeat the process for both Door. The hinge pin should sit under the overlap board and in the centre of the shiplap board as shown above.

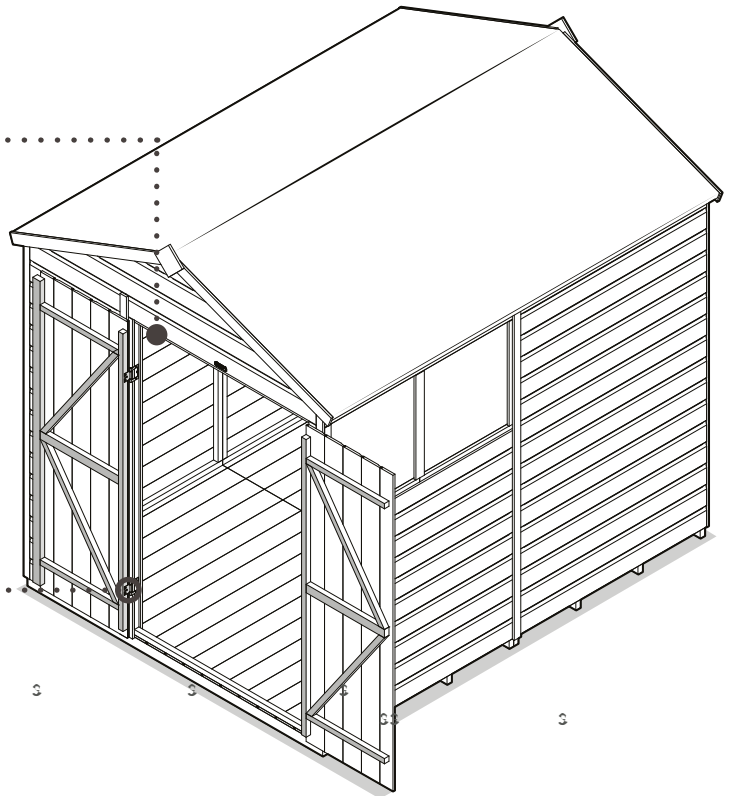
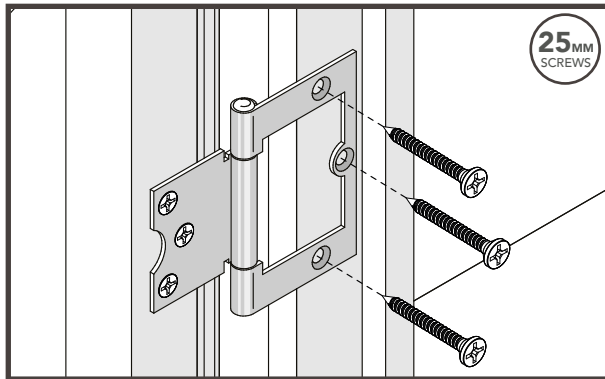
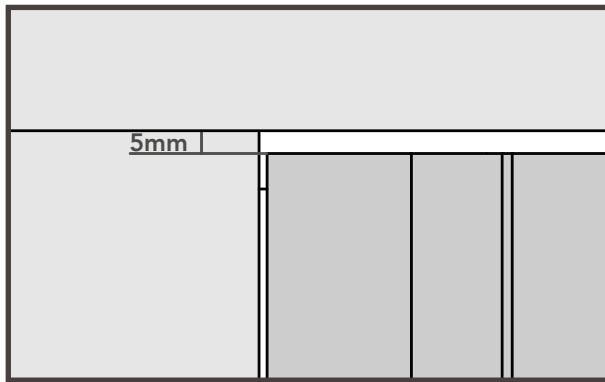


SLAMMING STRIP

Secure the Slamming Strip to one of your Door as this will be your 'closed' Door. Ensure you create through the Slamming Strip into the Door frame work as shown above.

Slamming strip size (45 x 81 mm)

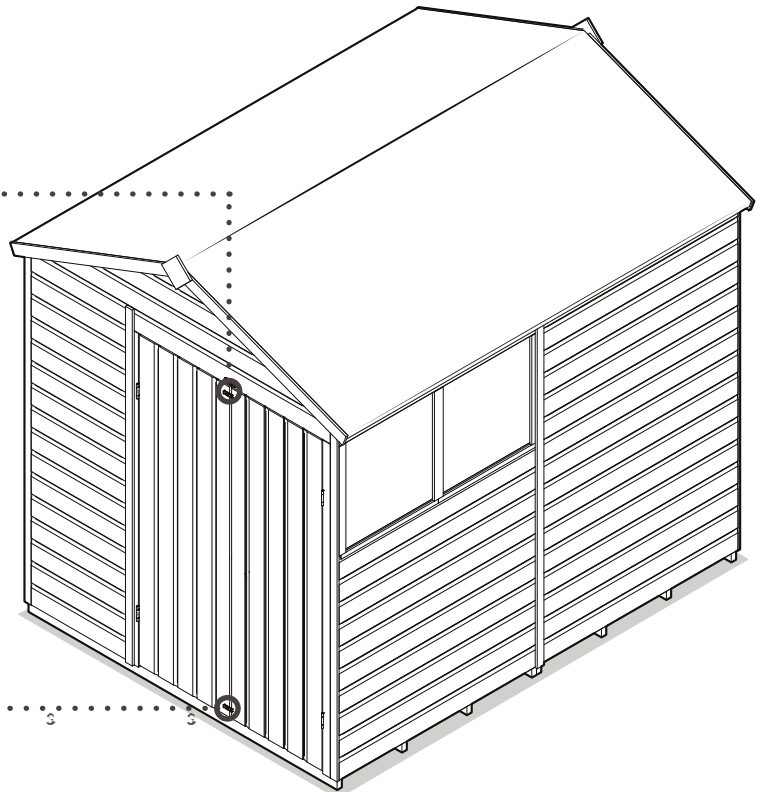
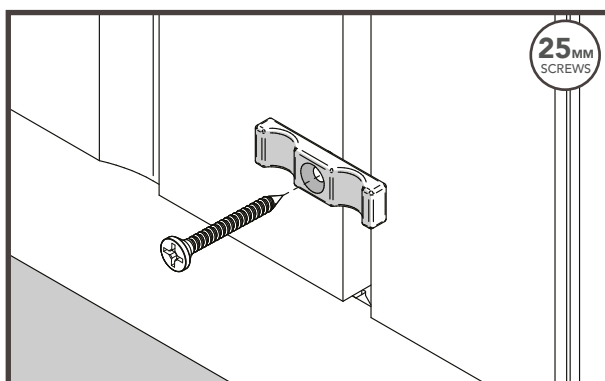
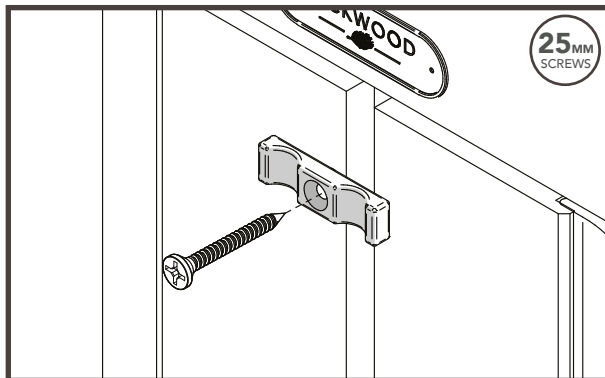
STEP 2: DOOR INSTALLATION



DOOR INSTALLATION

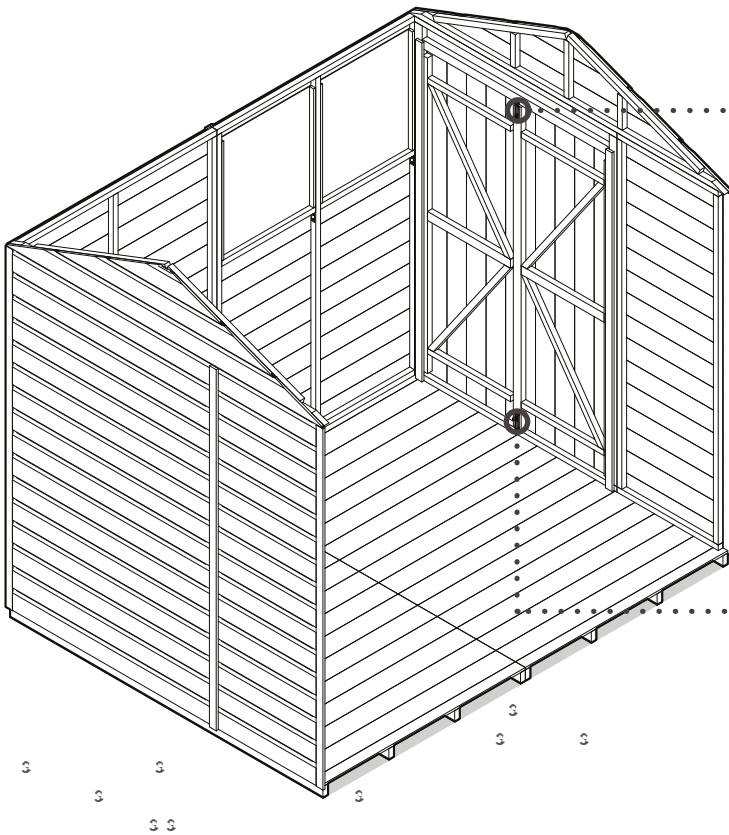
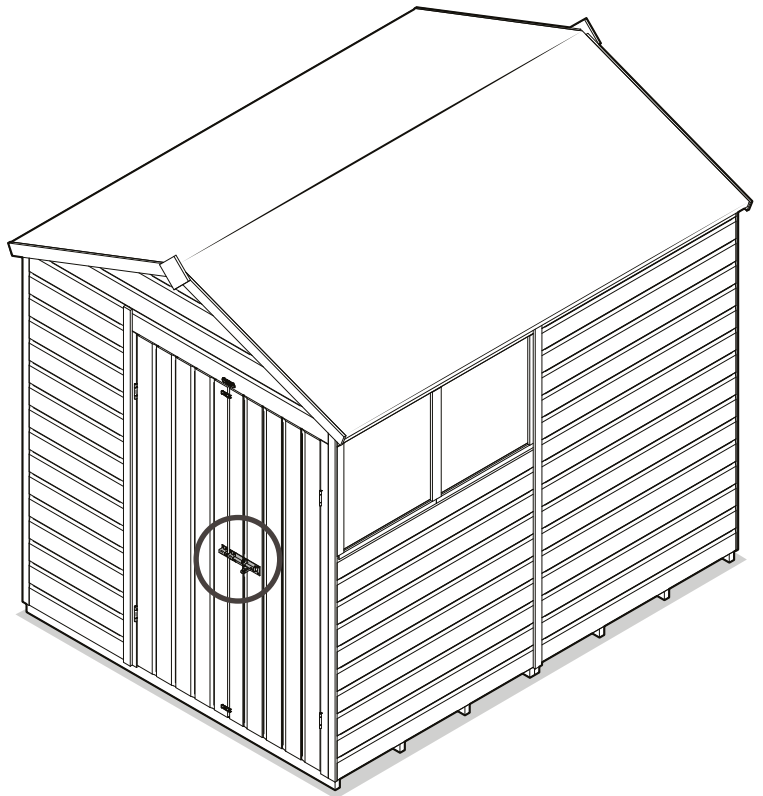
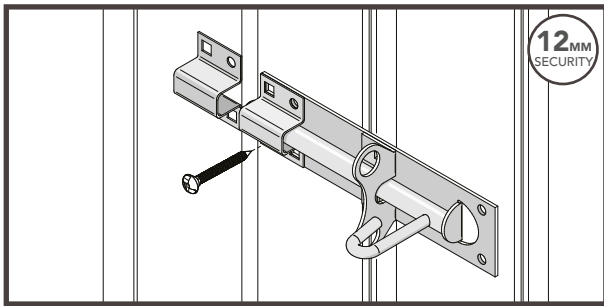
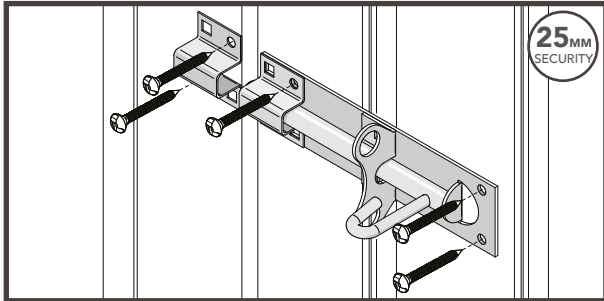
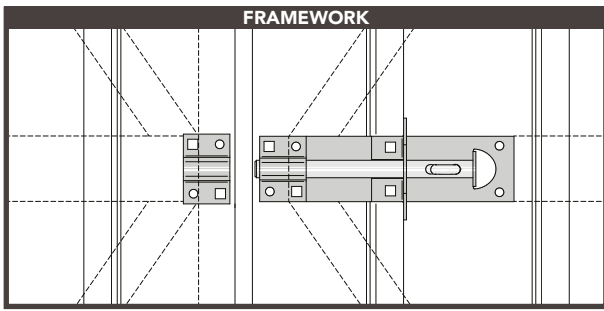
Position the Door into the door opening, ensuring it is level. Ensure the hinges are placed against the frame work. Secure the hinges in place. Allow a 5mm gap at the top when positioning the Door. Repeat the process for both Doors.

STEP 3: DOOR FIXINGS



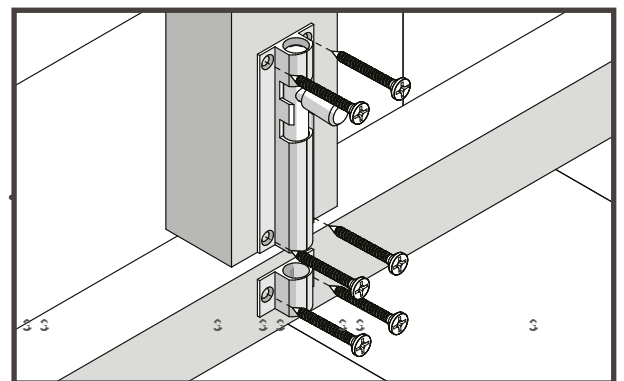
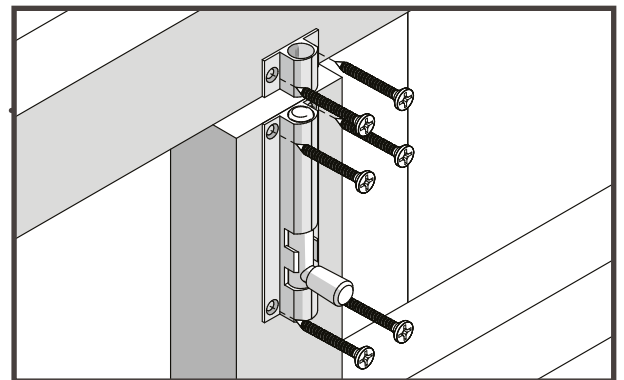
TURN BUTTONS

Position and secure a turn button to the top and bottom of the Door in the Slamming Strip behind. Secure the turn button on the 'closed' Door.



PADBOLT

Position and secure the Padbolt on the Door frame work. The front hole on the Padbolt will require the mallet to create a hole in the door. Secure the Receiver on the 'closed' Door in the Door frame work and Slamming Strip behind a hole above. Use a flat head screwdriver to install the security screws.



BARREL BOLTS

Position and secure the Barrel Bolts flush to the Slamming Strip a hole above. Use a screwdriver applied and ensure to secure a Barrel Bolt on the top and bottom of the Slamming Strip. Position and secure the receivers on the Door Panel frame work.