

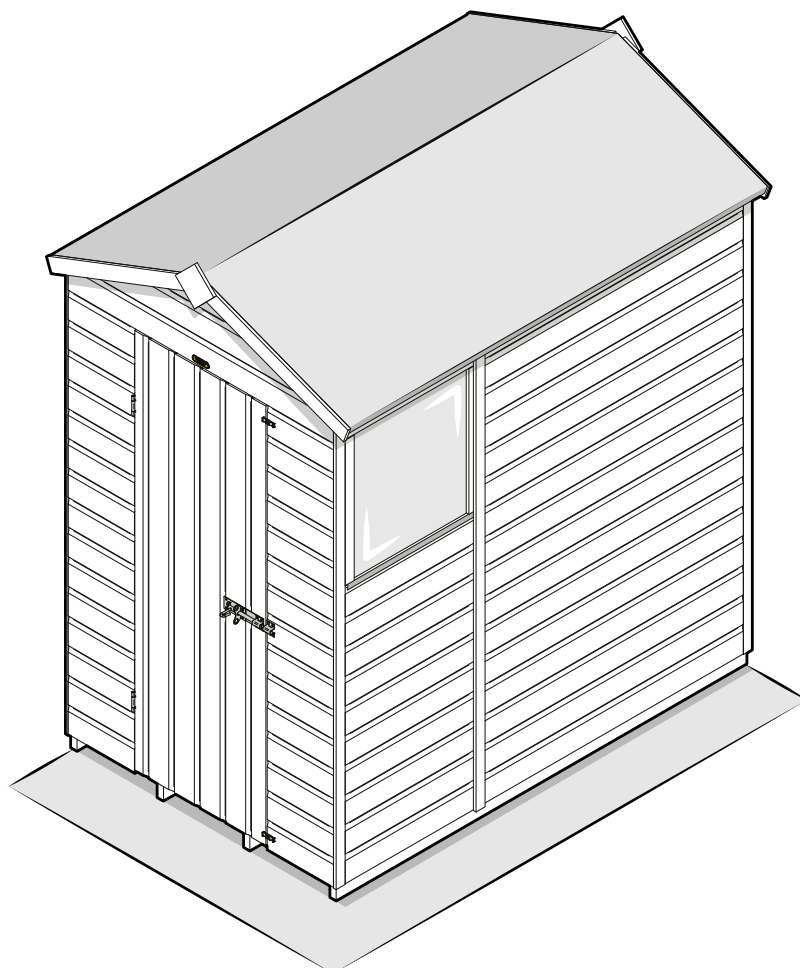
# BECKWOOD

ISSUE: 0223



# SHED INSTRUCTIONS

## BEFORE YOU START (0)



**Missing something or need more information?**

Call our aftersales team on  
0333 321 3142

**Visit our website for spare instructions and  
more information**

[www.forestgarden.co.uk](http://www.forestgarden.co.uk)

Forest Garden, Oak Drive, Hartlebury Trading Estate, Hartlebury, Worcestershire, DY10 4JB

EU Authorised Representative: Authorised Representative Service, 77 Camden Street Lower Dublin, D02 XE80, Ireland

# BEFORE YOU START.

Please read through this guide to prepare yourself before assembling your shed. We recommend that you **check all the components and fixings**. Your parts list can be found on your shed label.

All our sheds are constructed in the same way, they simply come with different components depending on the type of shed you have. We have sent you **generic fixing packs** and **generic loose item packs** to suit the shed range. You should expect there to be leftover fixings and loose items.

## BASE PREPARATION

It is vital that you build your new shed on a **solid, level base**. Timber or Plastic Shed Bases are ideal, as is solid concrete or concrete slabs.

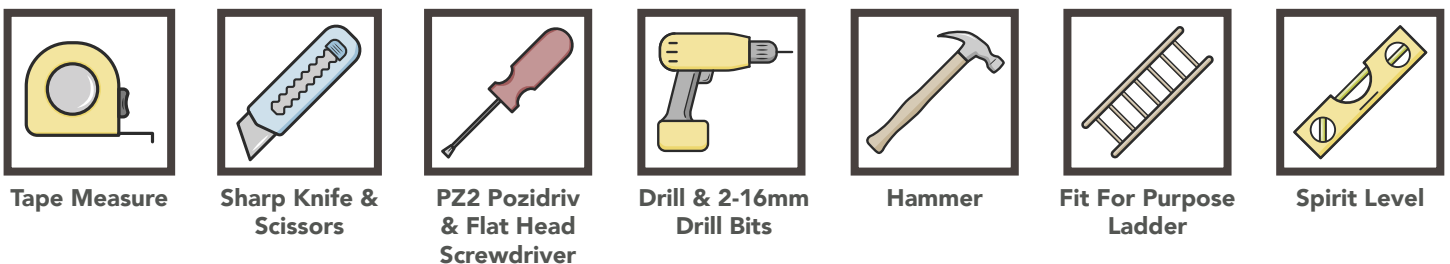


If you have an existing base and think it is suitable for your new shed to be sited on, it is important you check that it is level and **does not deviate by any more than 15mm** from edge to edge. If this is not the case the building will twist, causing gaps to appear in the sections and the roof, doors, and windows to misalign.

There is more information on base preparation on our website [www.forestgarden.co.uk](http://www.forestgarden.co.uk)

## TOOLS REQUIRED

We recommend using the following tools (**not supplied**):



We recommend getting everything aligned properly before screwing together and that the **screw holes are pre-drilled** at this stage to **avoid splitting the timber**. We do not provide pre-drilled holes due to the nature of expanding and shrinking timber, which can cause pre-drilled holes to misalign.



### IMPORTANT

Assembly requires 2+ adults.



### REMINDER

Always pre-drill before screwing.

PLEASE KEEP PLASTIC BAGS AND SMALL PARTS AWAY FROM BABIES AND CHILDREN.  
TO AVOID DANGER OF SUFFOCATION, PLEASE KEEP THE PROTECTIVE FILM AWAY FROM BABIES AND CHILDREN.  
CHECK AND TIGHTEN ALL THE FIXINGS APPLIED TO THIS PRODUCT ON A REGULAR BASIS.

# CARE & ATTENTION

To help you get the most out of our products it is useful to know a little more about the properties of timber, what is normal and how your shed may behave as the seasons change. Wood is an extremely durable material for construction but as a natural product when used outdoors it is susceptible to changes in the environment.

## THINGS THAT YOU MIGHT SEE IN YOUR PRODUCT



### Movement, Twisting & Warping

Wood contains a natural level of moisture so decreasing humidity levels in the surrounding air may cause panels to change their shape as the porous fibres shrink. This can be exaggerated during prolonged periods of dry weather. Movement and gaps in timber products are normal, in most cases the wood will revert to its original form once the high temperatures subside and there is more moisture content in the air. Similarly, in the winter months, the opposite may occur with wood swelling.



### Expansion, Contraction, Splits & Cracks

All timber will expand and contract according to its environment. As a result of this expansion and contraction, it is very common to see splits and cracks developing in the wood. Splits are common during the spring and summer months as the wood begins to dry out. The outer surface dries first and contracts, contracting over a still expanded core of the wood. The result of this is that splits and cracks appear along the grain of wood. These splits are not a fault and do not affect the structural integrity of a product.



### Mould & Blue Stain

Mould is a surface-dwelling fungus that feeds on the nutrients and debris contained in the surface cells of timber. The most common problems associated with mould are discoloured timber and an increase in permeability of the timber. Blue stain is part of the same family but penetrates deeper into the surface layers of the timber. It stains the timber a dark blue, whereas mould is usually black. These do not cause the timber to rot. Keep the building well ventilated to avoid mould.

### Advice On Felt Handling & Usage

Roofing felt is flexible at temperatures above 5°C. In cold temperatures extra care must be taken when handling and installing to prevent cracking and damage to the felt. The felt should not be rolled, folded, or used in temperatures lower than 5°C. In cold temperatures the felt should be stored above 10°C (indoors) for 24 hours prior to use. Felt must be lifted, not dragged, and should be stored on its end on a dry surface.

## 8 TOP TIPS TO ENSURE YOUR SHED IS FULLY WATERPROOF

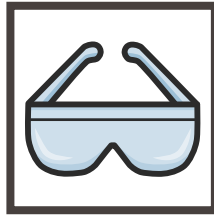
- 1 POSITION YOUR SHED IN THE BEST LOCATION IN YOUR GARDEN**  
Avoid areas where water pools and which are constantly wet. Position away from trees and cut back any overhanging foliage which can cause moisture to be trapped against the walls and debris to collect on the roof.
- 2 RAISE YOUR SHED OFF THE GROUND**  
Ideally, any concrete base should be the same footprint as the shed to allow surface water to run off without pooling. A timber base can also be used. Raise your shed 50mm above ground level.
- 3 SEAL THE BEARERS**  
If using a wooden base, we recommend treating it with a treatment containing wax or oil. Also coat the bearers that meet the ground to prevent moisture rising.
- 4 USE AN END GRAIN PROTECTOR**  
To protect the corners and panel joins, an end grain protector can be applied.
- 5 SEAL THE PANELS & WINDOWS**  
Use a flexible silicone sealant around windows to prevent water ingress. This can also be used where two sections of the shed join together. Apply internally.
- 6 CONSIDER ADDING GUTTERS**  
Adding guttering around the fascia of the shed will redirect rainwater away from the shed's foundation.
- 7 KEEP VENTILATED**  
Good airflow around the perimeter of the shed and regular ventilation inside the shed will help prevent mould and mildew.
- 8 CONSIDER A WATER SEALANT**  
You may want to consider painting your shed with a water sealant at least once a year. This will help reduce the risk of water ingress. We would recommend using 'Bostik Cementone Water Seal' of which can be purchased from multiple DIY stores.

# HEALTH & SAFETY

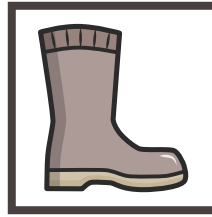
We strongly recommend that PPE (Personal Protective Equipment) is used throughout your build to ensure you are protected from any potential health and safety risks. **Do not exempt yourself from wearing PPE.**



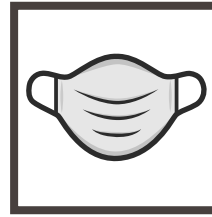
Cut-Resistant  
Gloves



Protective Glasses



Protective Boots



Protective Mask



Working At  
Height

## THE ROOF OF THIS BUILDING IS NOT A LOAD BEARING STRUCTURE.

The components provided may be heavy. Please lift with caution and with a minimum of 2 people. Please carefully unpack your shed and loose components as they may have moved during transportation.

# TREATMENT INFORMATION

The treatment applied to your shed is to ensure longevity and protection against fungal decay and rot. This may leave colour variations, but these will even out as the moisture content stabilises.

<b>Pressure Treatment</b>
<b>Pressure treatment is to provide protection against rot</b>
<b>Pressure treated sheds do not need to be re-treated every year</b>
<b>25 year guarantee</b>

Use the 'waterproofing top tips' to increase the longevity of your shed. See our website for more information at [www.forestgarden.co.uk /guide-to-our-products/](http://www.forestgarden.co.uk/guide-to-our-products/)

### Treated timber contains biocidal products for control of wood destroying organisms.

**Active Ingredients** - Basic Copper Carbonate, DDA Carbonate, DDA Chloride.

- Wear gloves when handling.
- Avoid inhalation of sawdust.
- Do not use in contact with drinking water or food.
- Do not use for animal bedding or in fish ponds.
- Dispose of treated wood responsibly.
- Treated products cannot be recycled as the wood is no longer in its original virgin state.
- Once the treatment has dried there is no risk of toxic contamination. The risk would come from the treatment before it is added to our products.

# DISCLAIMER

## Check you have all your parts prior to assembly.

Timber is a natural material of which will shrink and swell because of varying moisture content.

Assembly of damaged parts may be deemed to be acceptance, and this may affect the remedies you are entitled to.

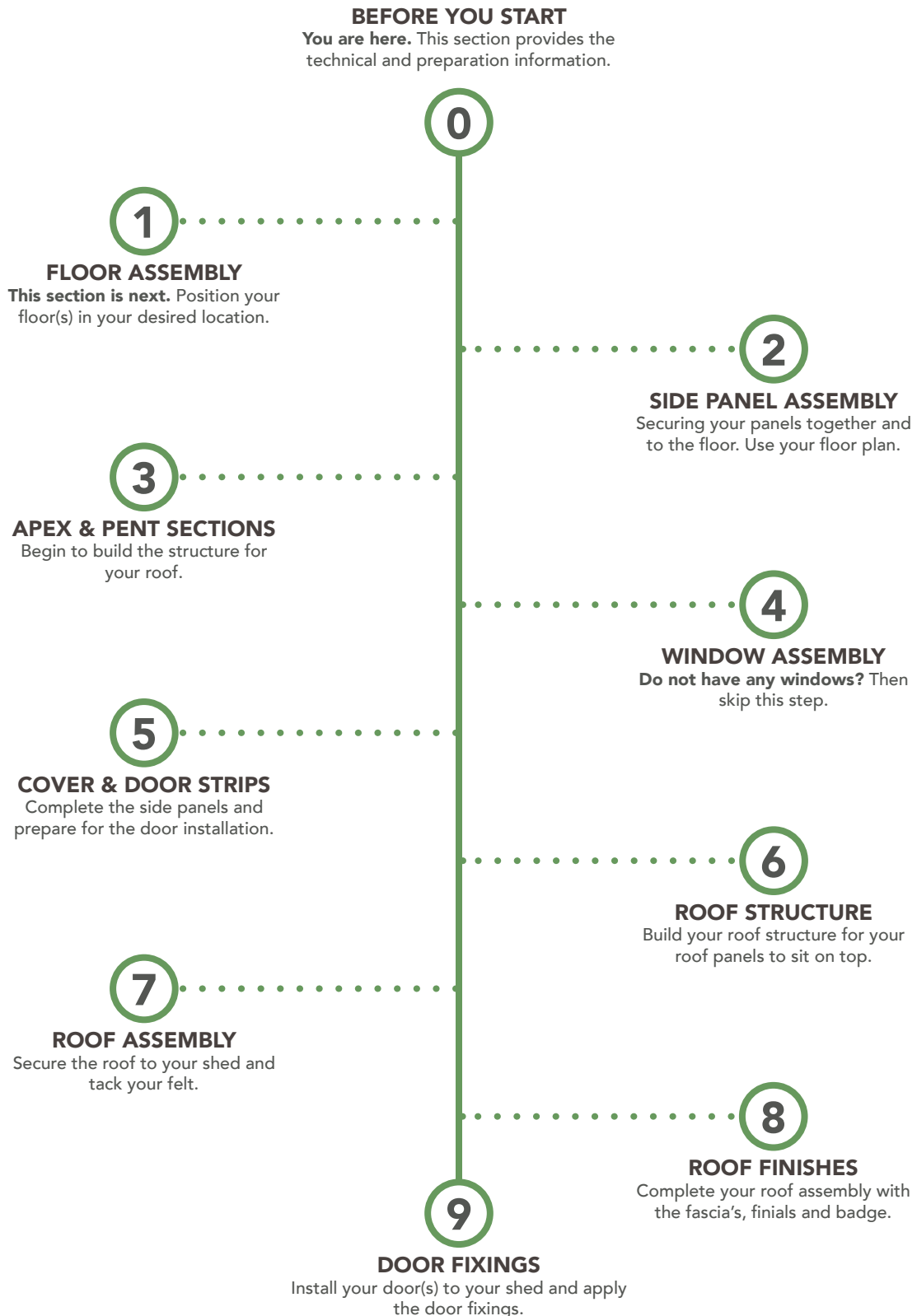
If the product is not constructed in accordance with the instructions, or is altered in anyway (e.g. painted), the manufacturer cannot be held liable for any resulting damage.

If you are organising a third party to install your shed, it is best not to schedule this immediately on receipt of your order, to give you time to check your delivery.

# ASSEMBLY GUIDE

We have provided **several fixing packs** for your build. Each fixing pack will contain a set of assembly instructions and its fixings for each step. Each set of instructions will include a **number**, which will link to the assembly guide below to ensure you are constructing the shed in the correct **order**.

These fixing packs are generic, to suit the modular shed range. Visuals in each of the **steps are for reference only** and may slightly vary depending on the shed you have chosen. Any major differences will be outlined in the steps. We have designed them to be as simple as possible to follow, but **if you have any issues, please contact our aftersales team. Check your parts list prior to assembly**, of which can be found on your shed label.



# IDENTIFY YOUR CHOSEN SHED


From the **floor plans** below, identify your shed based on the **width, depth** and **roof type** provided. You will need this to identify the side panel positions before assembling your shed. **Use the key as a guide.**

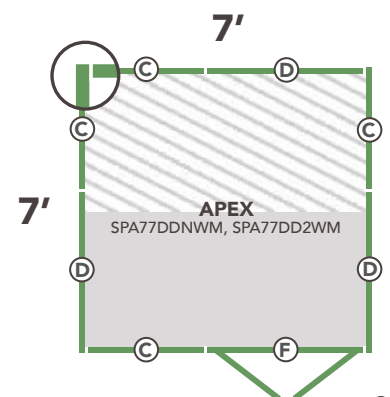
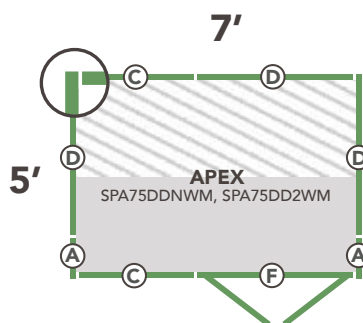
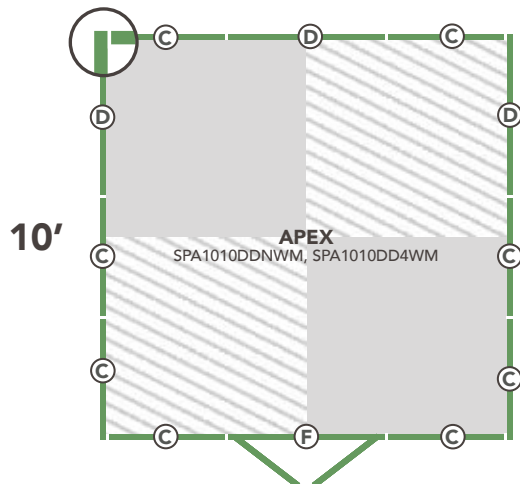
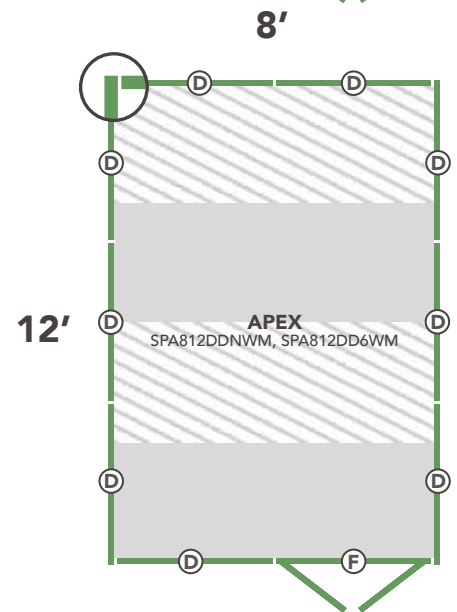
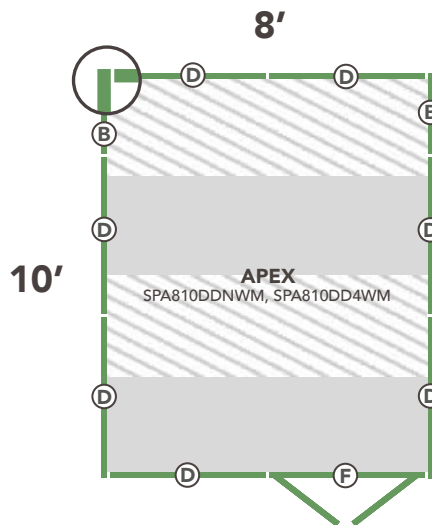
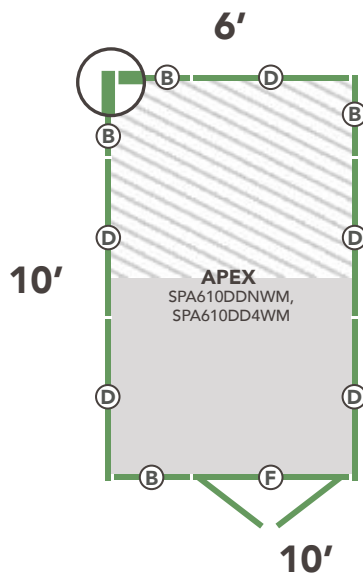
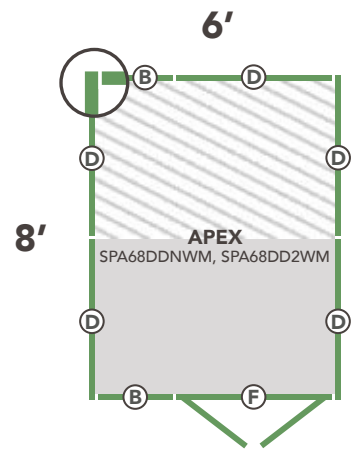
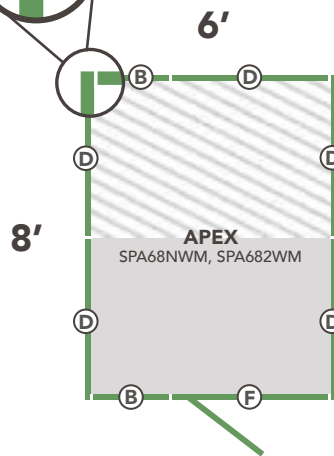
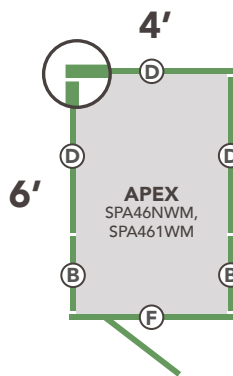
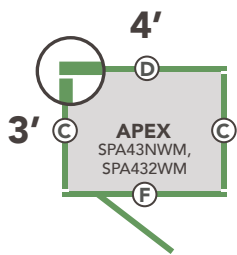
## KEY

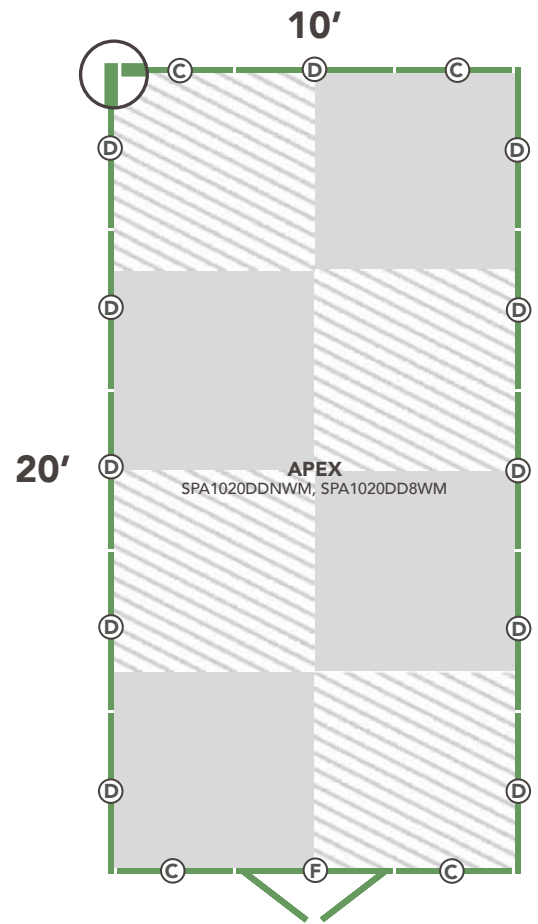
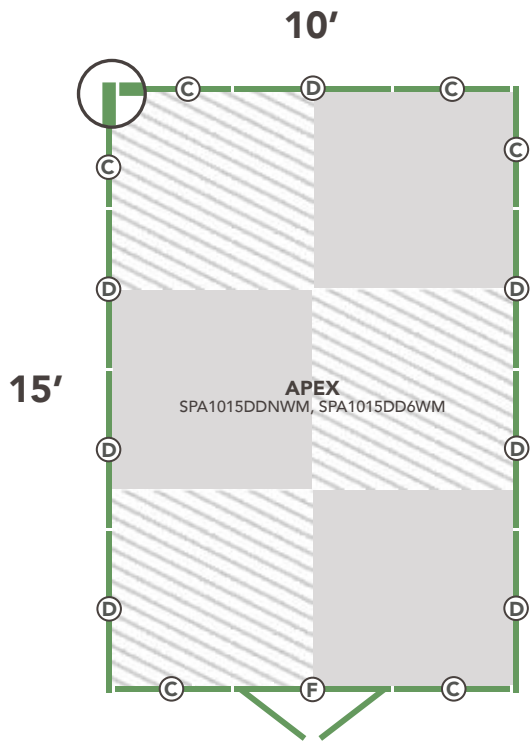
- A** - 1ft Panel (295 x 1831mm)
- B** - 2ft Panel (590 x 1831mm) (With & without windows)
- C** - 3ft Panel (885 x 1831mm) (With & without windows)
- D** - 4ft Panel (1180 x 1831mm) (With & without windows)
- E** - 3ft Door Panel (885 x 1831mm)
- F** - 4ft Door Panel (1180 x 1831mm)

## PLEASE NOTE

Same size panels are interchangeable. Hinge your single door onto either side.

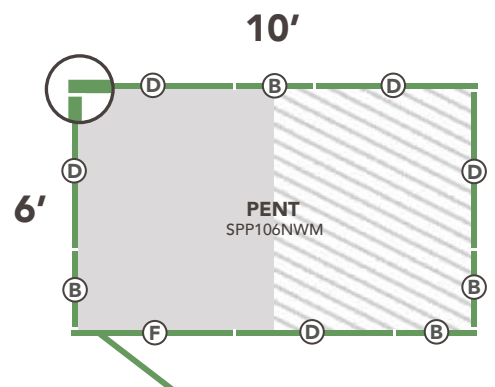
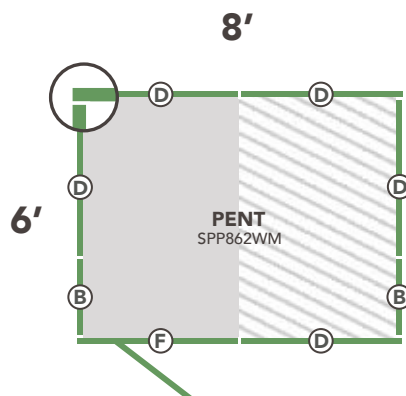
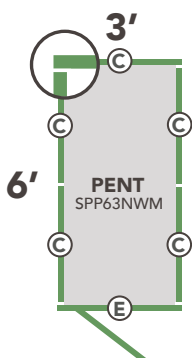
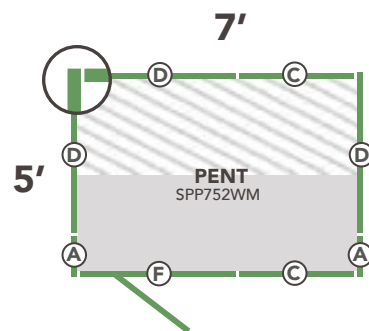
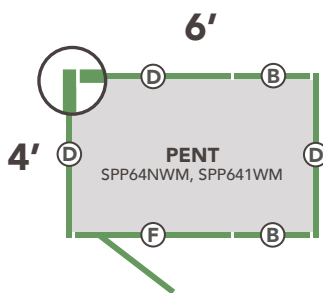
 Indicates the panel orientation during construction. This will apply to all of the corners for your chosen shed.

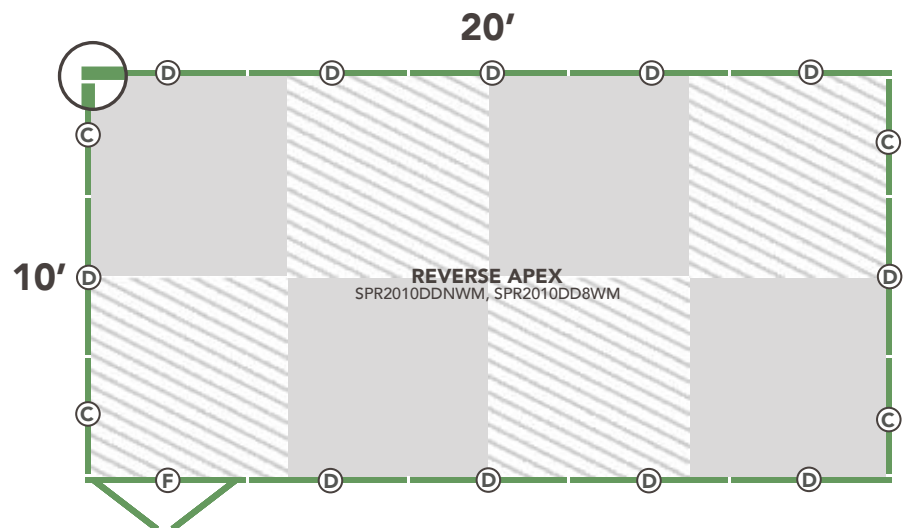
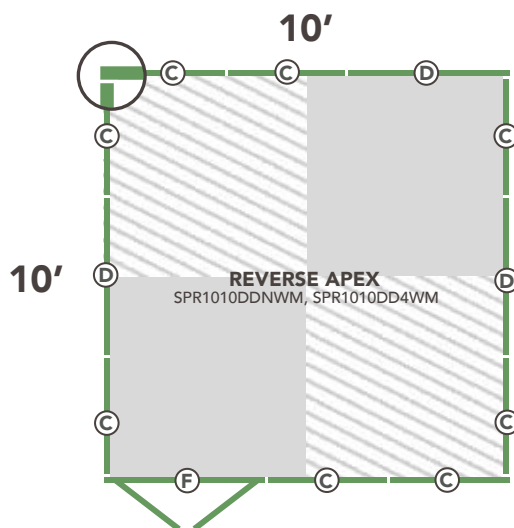
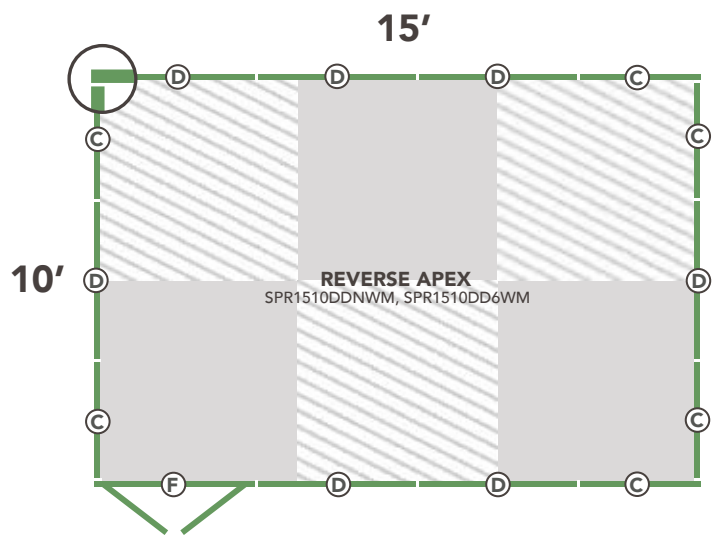
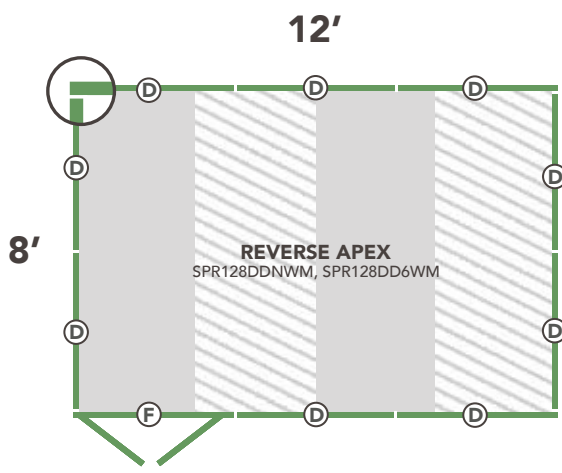
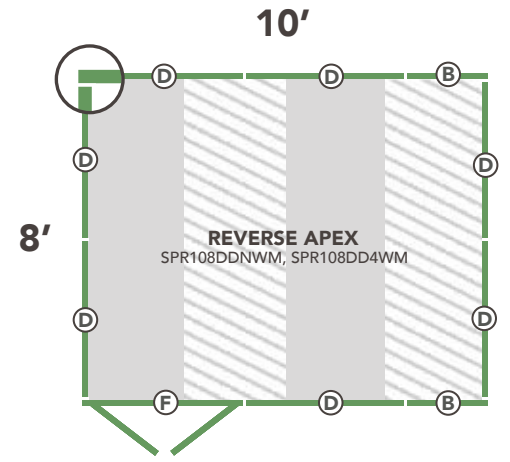
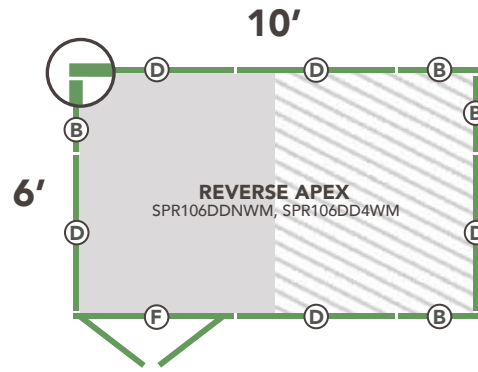
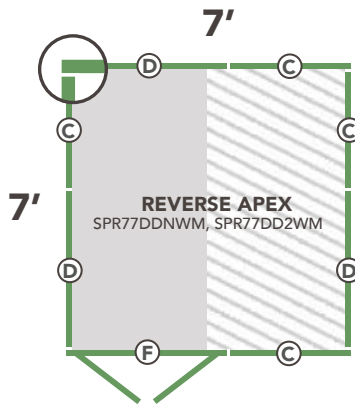
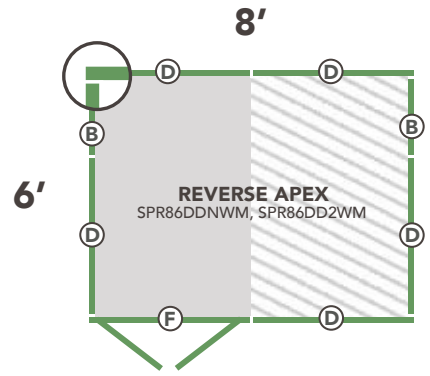
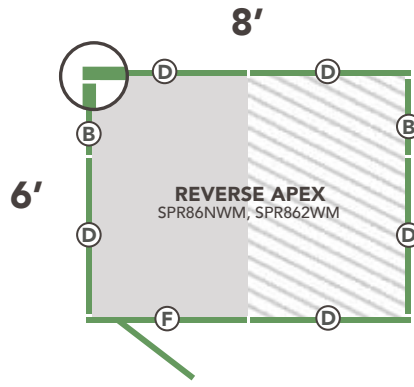
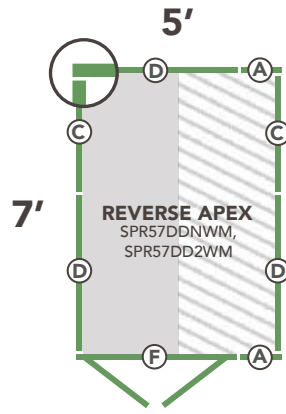
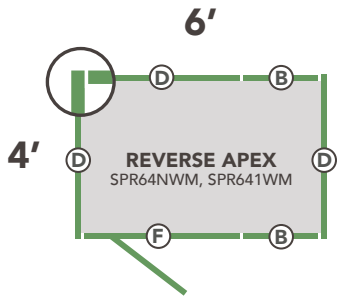




## INFILL PANELS (PENT SHEDS)

Pent sheds will have 'Infill Panels' of which are secured to the top of the Side Panels. They will be the same width as the panel beneath. They are used to increase the height of the panels to create the angled roof. Lay these out with your Side Panels around your shed floor(s) for preparation. **Follow the assembly steps for more details.**

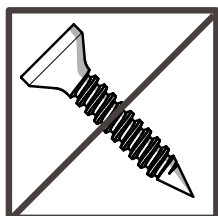






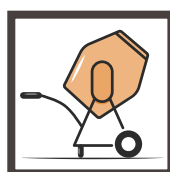
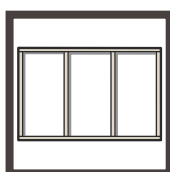
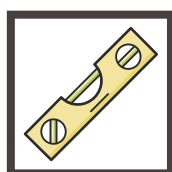
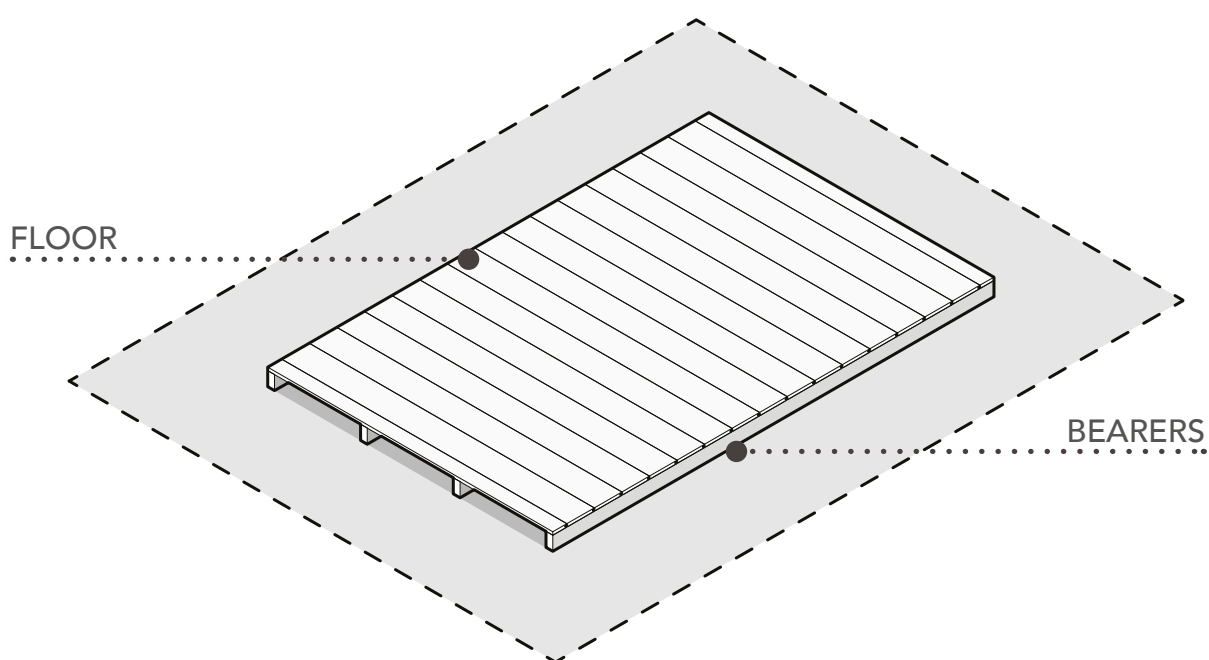
# SHED INSTRUCTIONS

## FLOOR ASSEMBLY (1)



### THERE ARE NO FIXINGS FOR THIS SECTION.

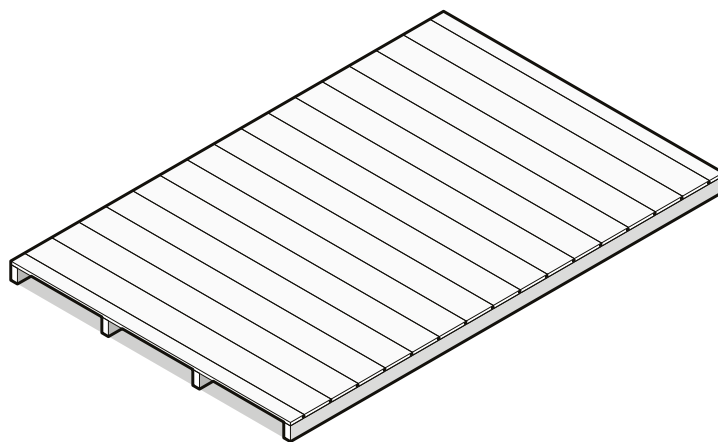
Look through the different visuals and follow the step that suits your chosen shed.



Before assembly, **your Floor must be firm and level** to ensure the shed lines up and is assembled properly. We recommend that there should be **access to all sides of your shed for assembly and any maintenance.**

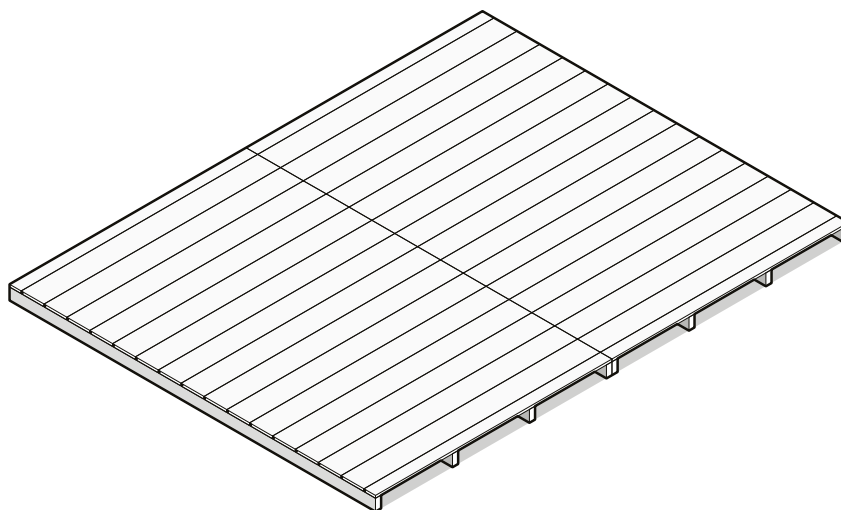
## STEP 1: POSITION FLOOR(S)

Due to the health and safety concerns of the Floor weights, we **do not** advise to secure the floors together. If you wish to secure the floors together, you do so at your own risk.



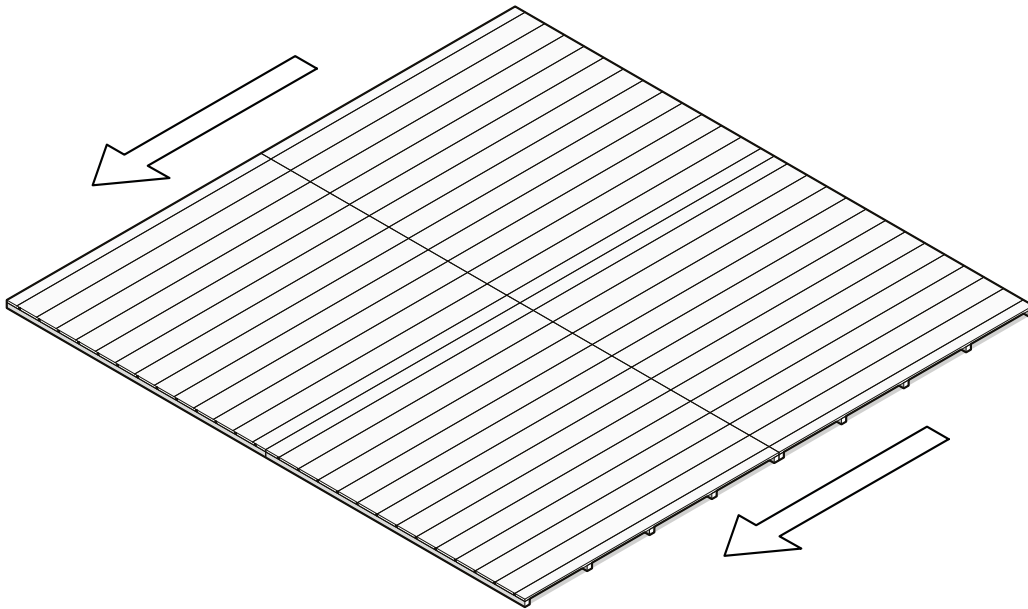
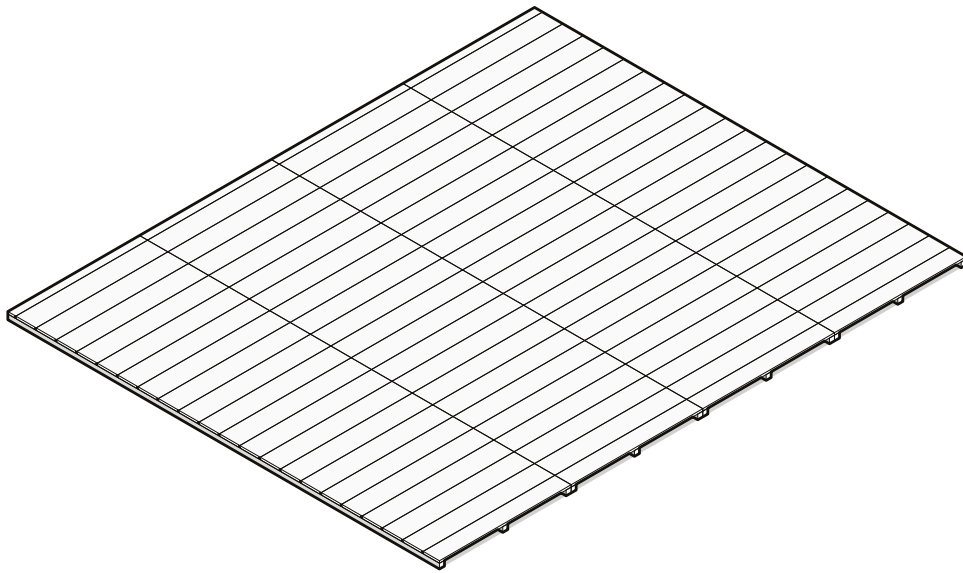
### SINGLE FLOOR

Position the Floor in your desired location.



### DOUBLE FLOOR

Position the Floors in your desired location. **Butt the Floor bearers together** and ensure they are flush on each side. The **bearers** will be butted together **along their side face** as shown above.



### **MULTIPLE FLOORS**

**Position the Floors** in your desired location. **Butt the Floor bearers together** and ensure they are flush on each side. The **bearers** will be butted together **along their side face** as shown above.

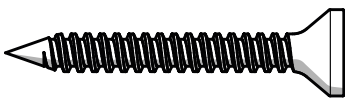
# SHED INSTRUCTIONS

## SIDE PANEL ASSEMBLY (2)

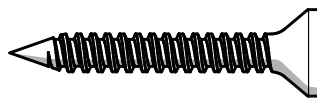
### FIXING PACK CONTAINS:

FIXING PACK CODE: SHEDPANELSFP

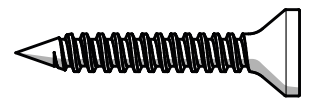
You may receive more than one of the same fixing pack to provide enough screws for the larger shed sizes.



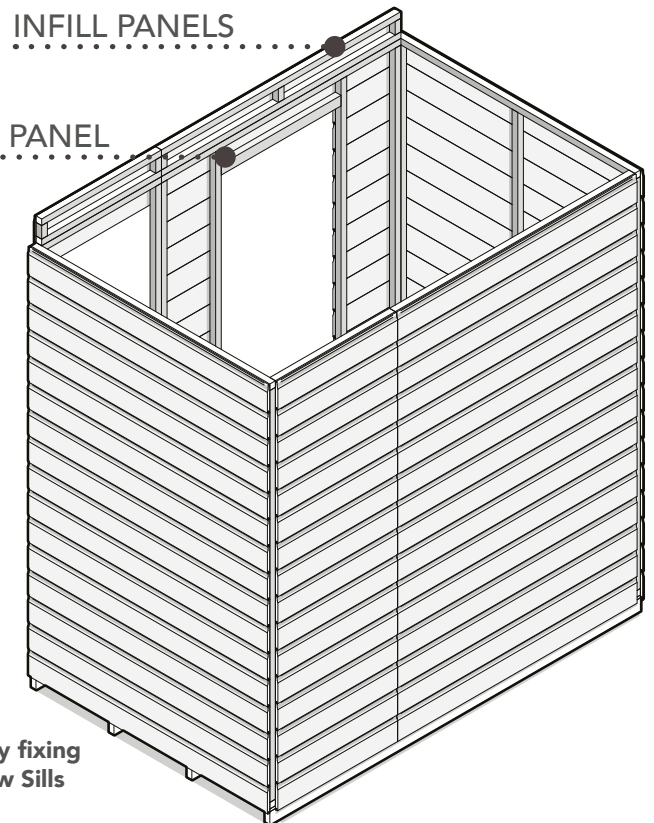
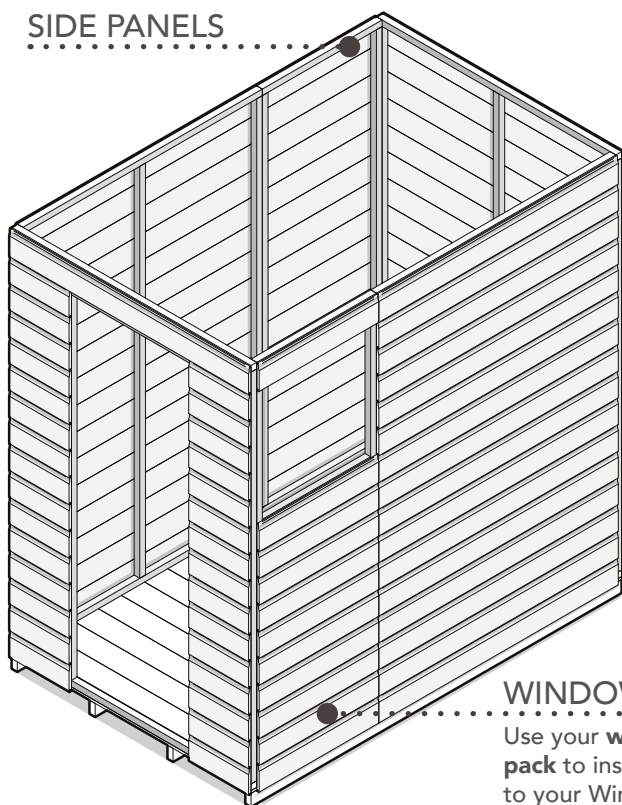
5 x **60mm** Screws  
QTY: 3



4 x **50mm** Screws  
QTY: 52

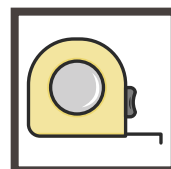
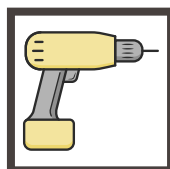
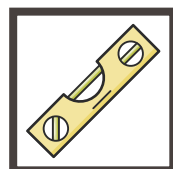


4 x **40mm** Screws  
QTY: 2

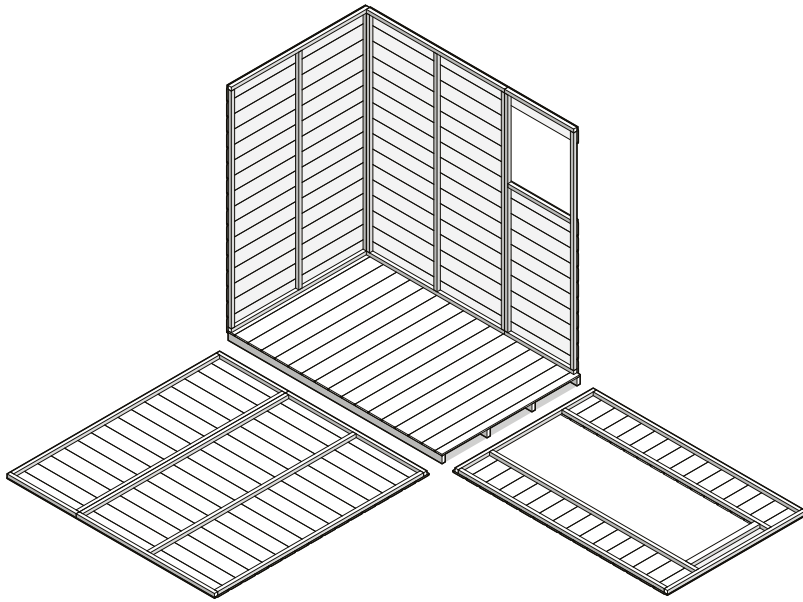


### WINDOW PANEL

Use your **window assembly fixing pack** to install your **Window Sills** to your Window Panel(s).

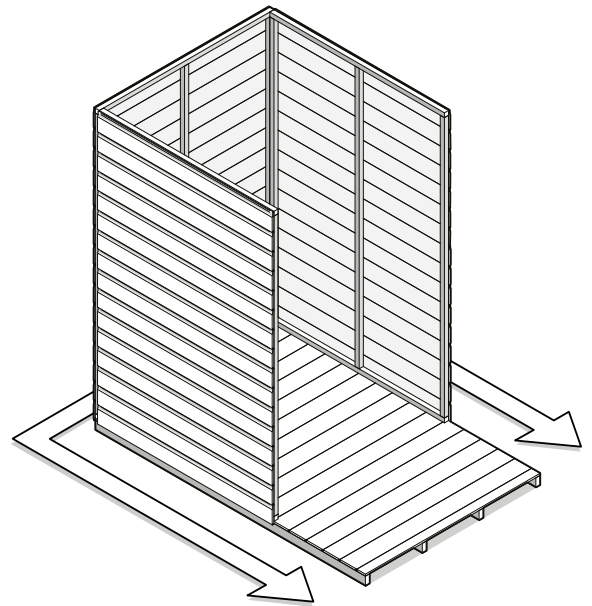


# STEP 1: SIDE PANEL ASSEMBLY



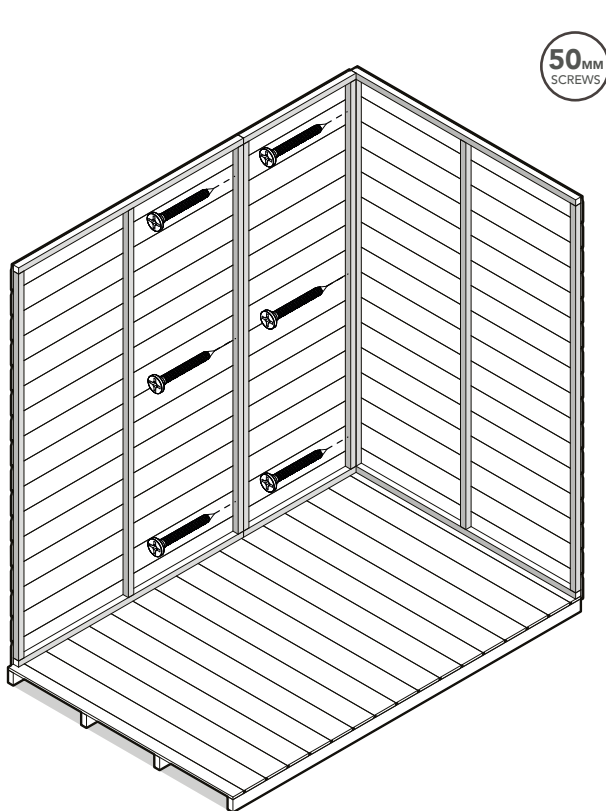
## LAY OUT YOUR PANELS

Lay out the panels around your shed Floor(s) to your desired panel configuration. Use your floor plan on your parts list to confirm panel positions.



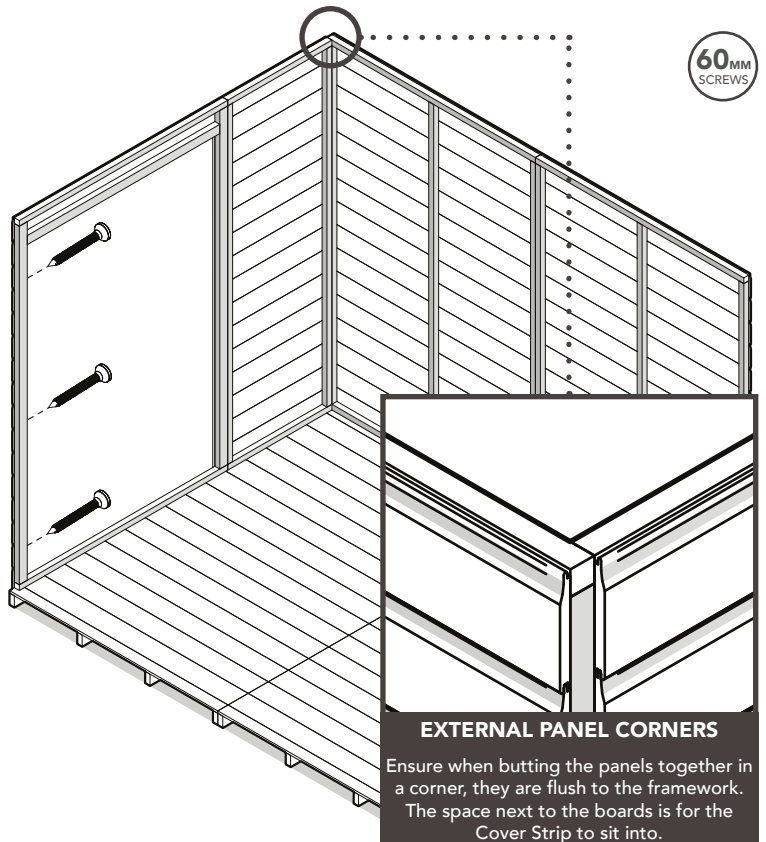
## WORK FROM BACK TO FRONT

We recommend starting in a back corner and then work from the back panels to the front panels for assembly.



## SECURE PANELS TOGETHER

Start in a back corner. Use your parts list to confirm the corner panel positions. Position and secure the Side Panels together. Ensure the bottom batten on the Side Panels sit on the Floor and the bottom board is up against the Floor edge.



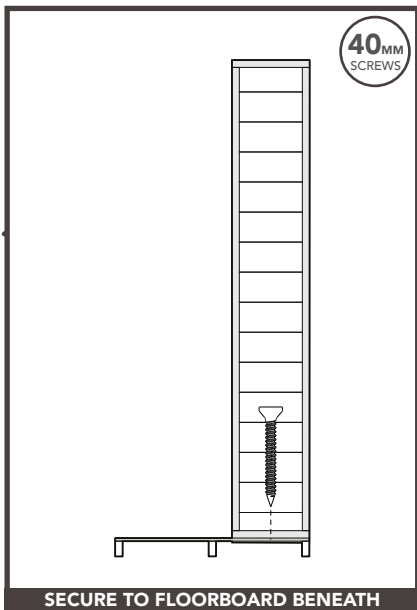
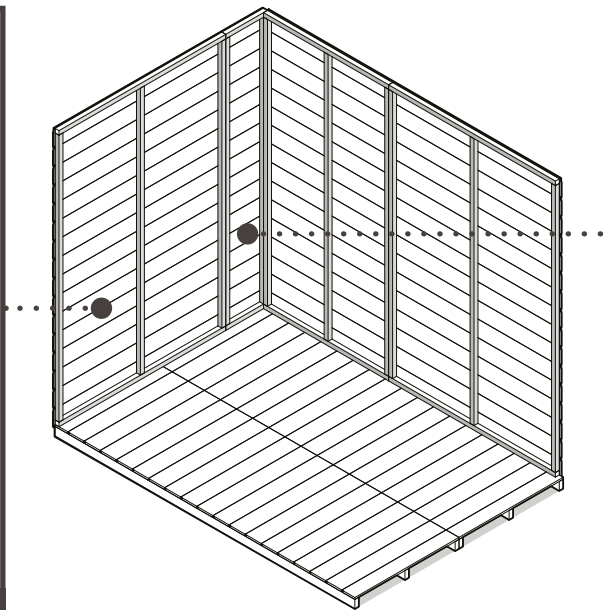
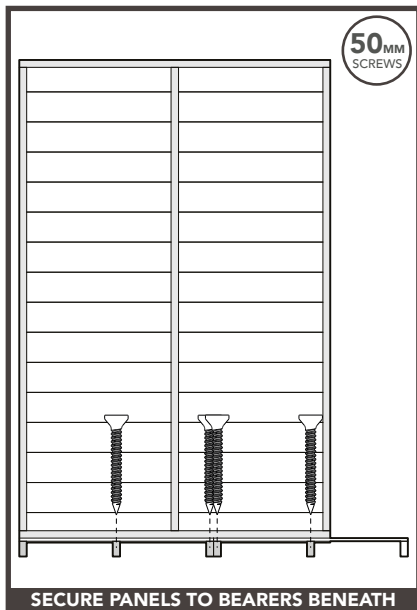
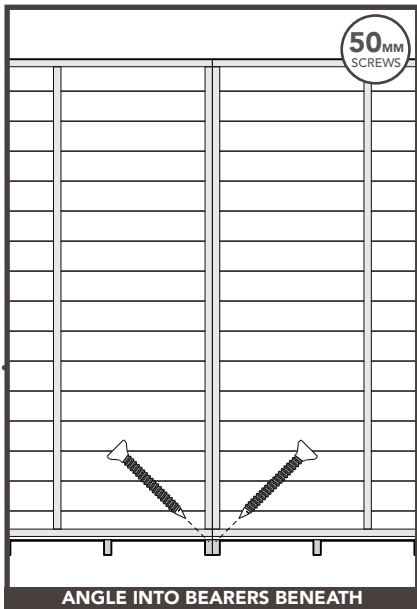
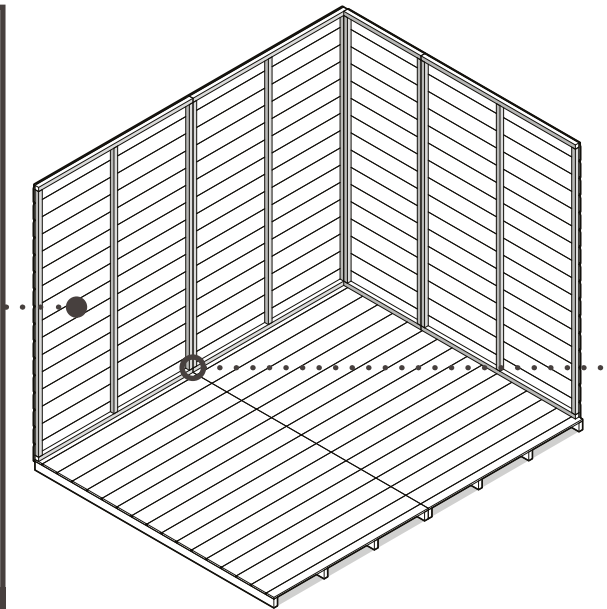
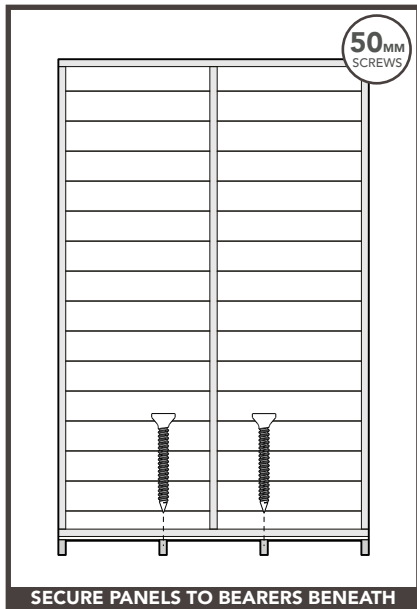
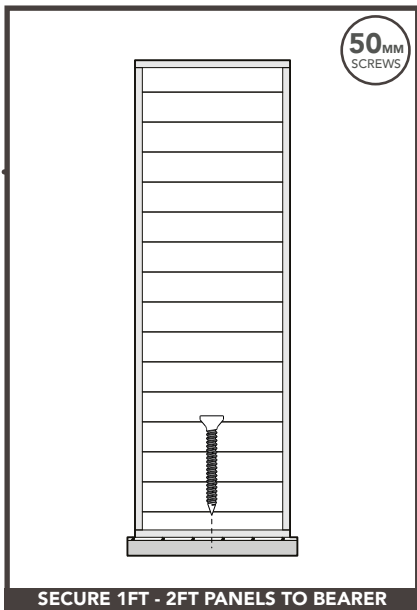
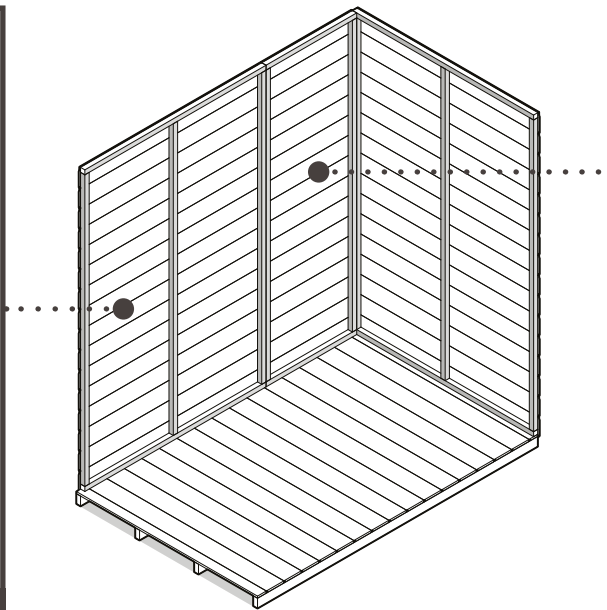
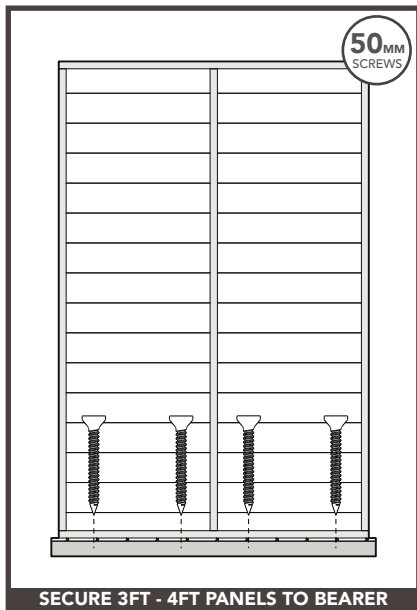
## EXTERNAL PANEL CORNERS

Ensure when butting the panels together in a corner, they are flush to the framework. The space next to the boards is for the Cover Strip to sit into.

## SECURING THE DOUBLE DOOR PANEL

For securing the Double Door Panel to a corner, use the 60mm screws as shown above. Use 50mm screws for securing all of the other panels together.

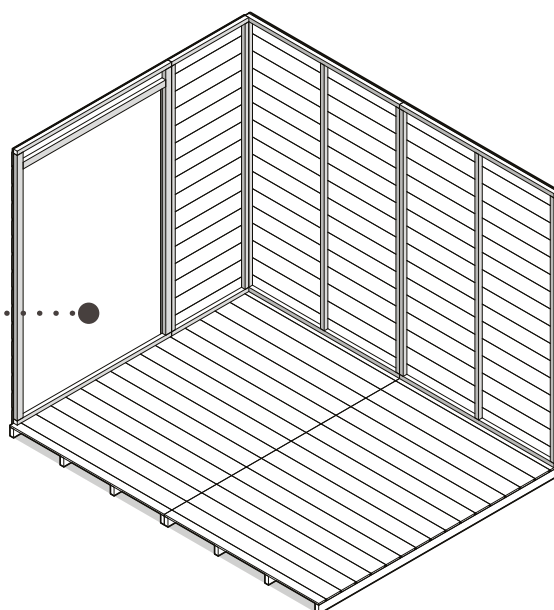
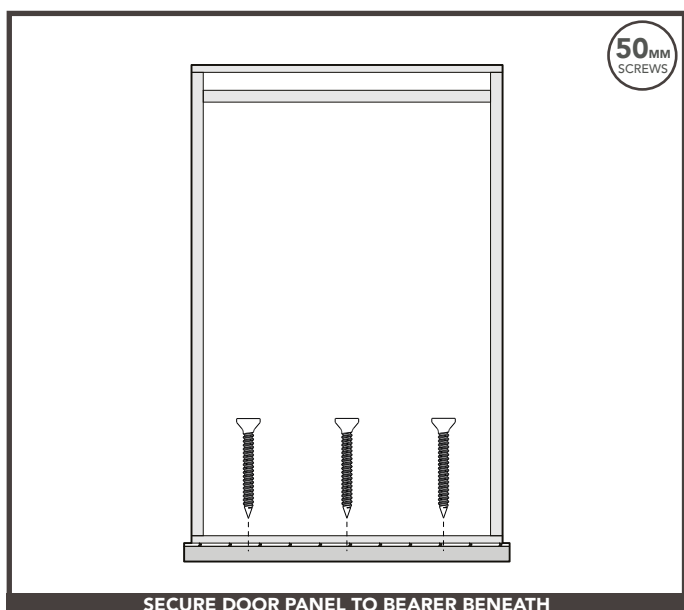
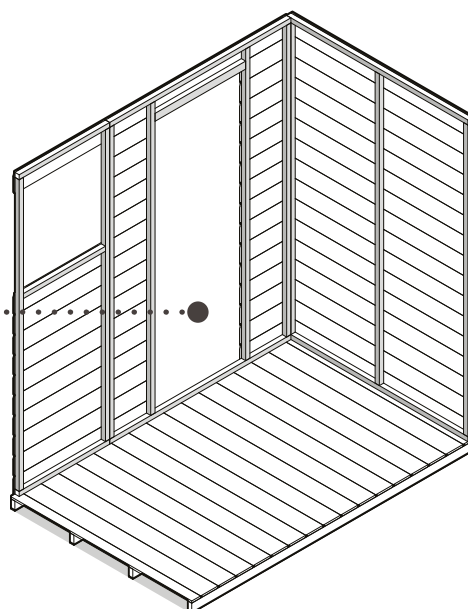
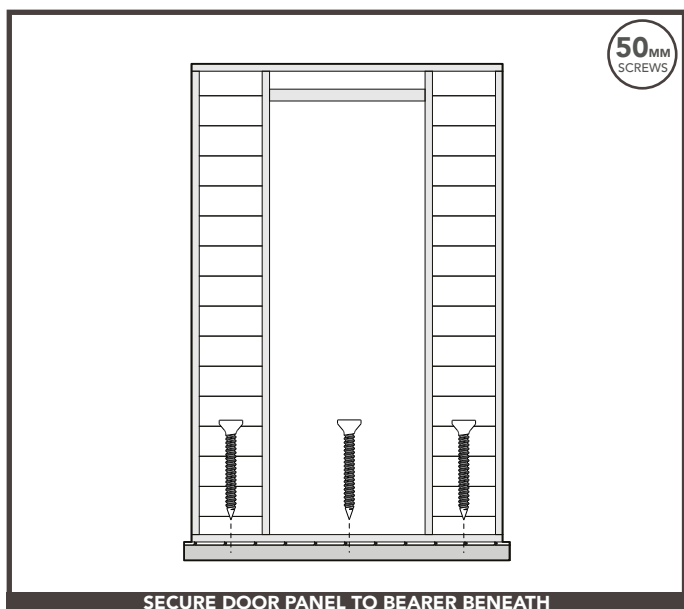
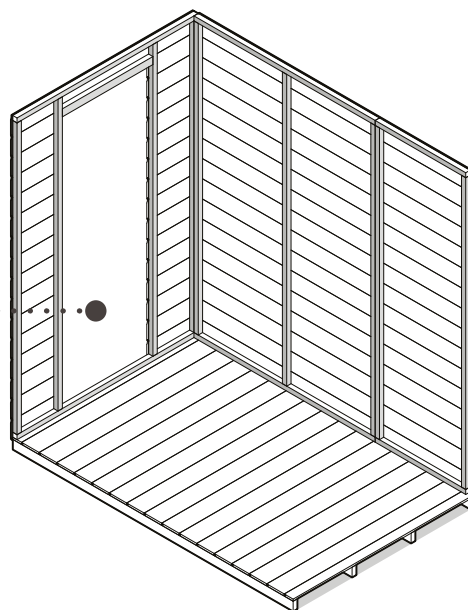
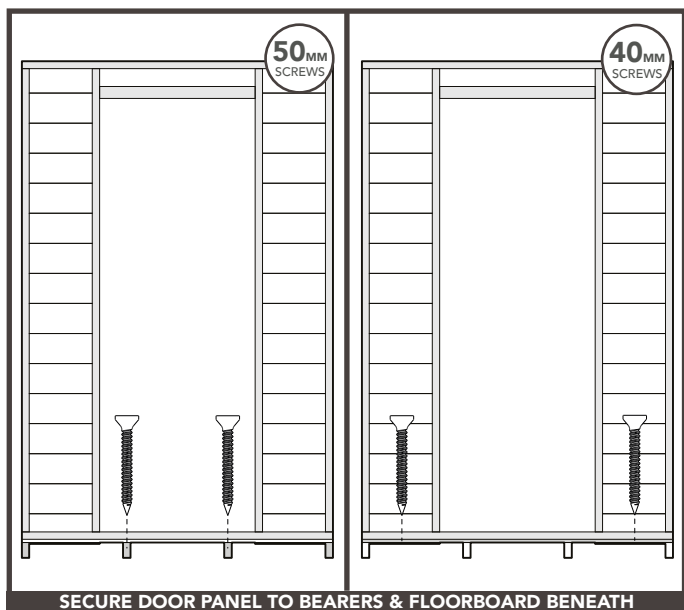
## STEP 2: SECURE SIDE PANELS TO FLOOR(S)



### SECURE TO FLOOR BEARERS/FLOORBOARD BENEATH

Secure the Side Panels to the Floor(s) by **screwing into the floor bearers beneath** (50mm screws).  
**Secure the Side Panels to the floorboards** if there are no bearers beneath (40mm screws).

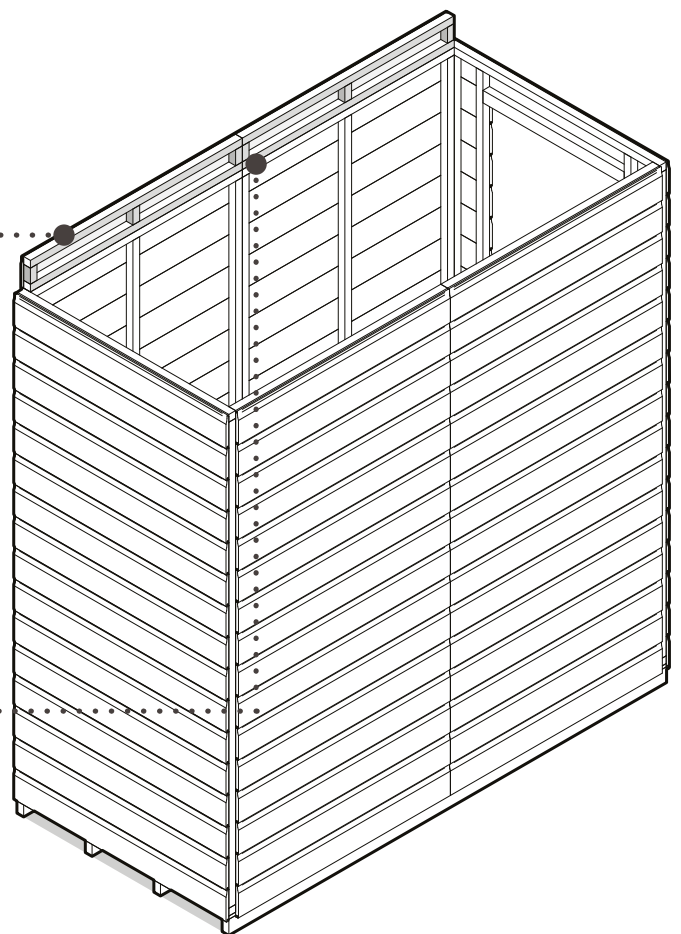
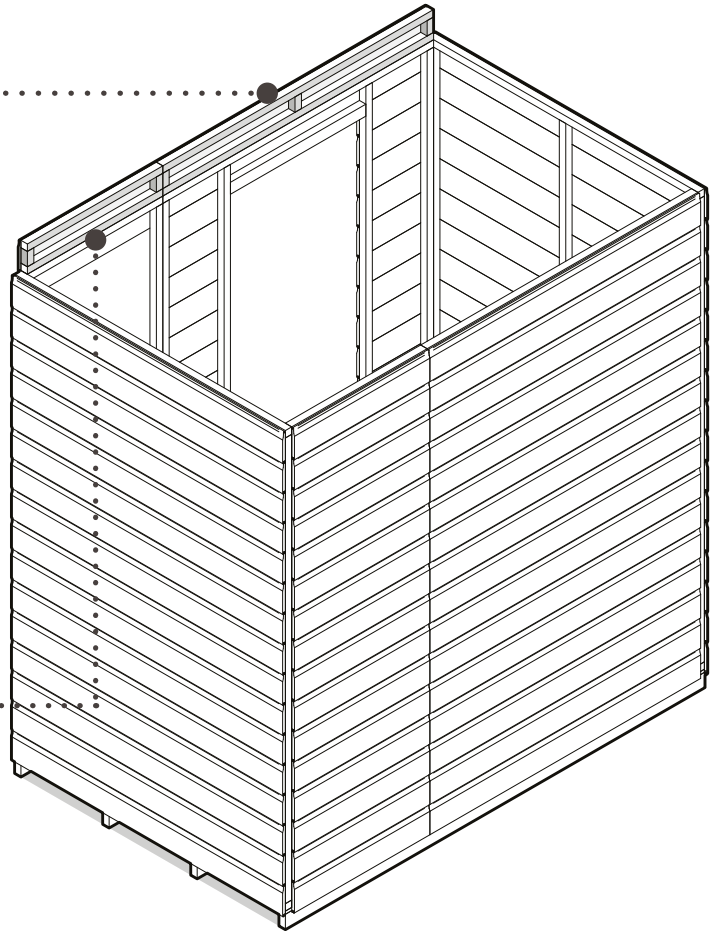
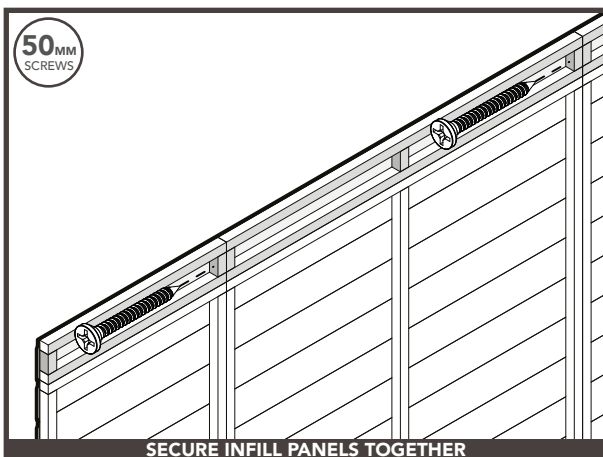
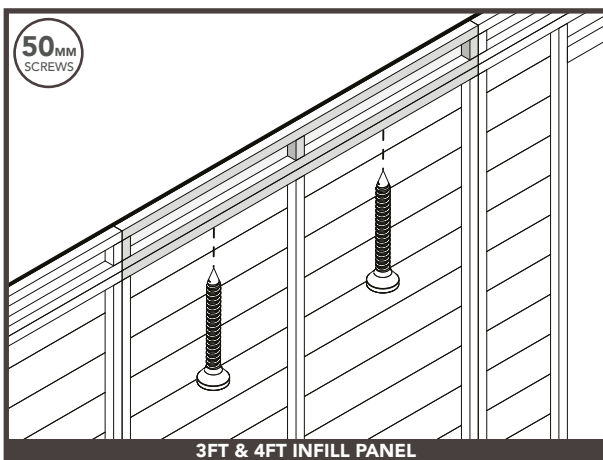
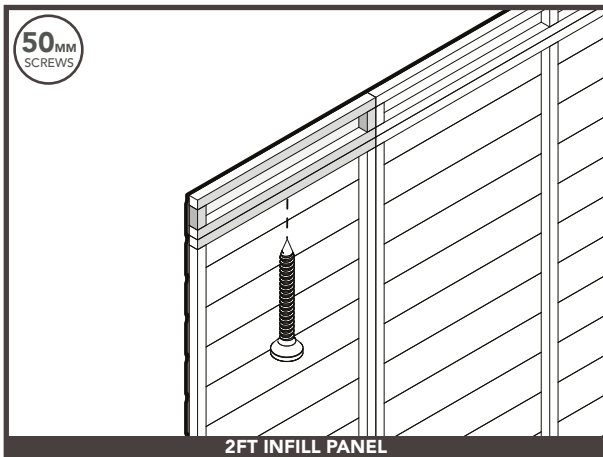
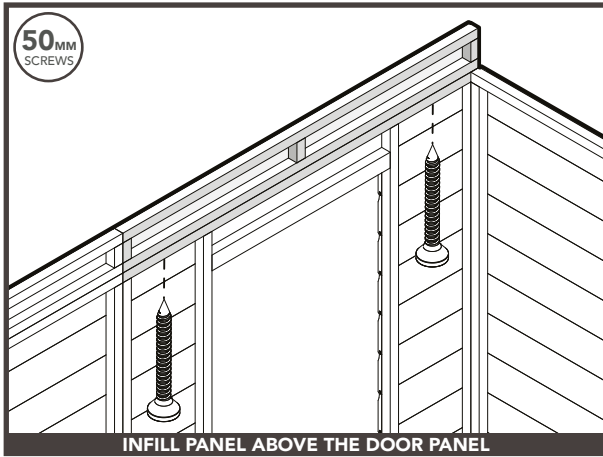
## STEP 3: SECURE DOOR PANEL TO FLOOR



### SECURE TO FLOOR BEARERS/FLOORBOARD BENEATH

Secure the Door Panel to the Floor by **screwing into the floor bearers beneath** (50mm screws).  
**Secure the Door Panel to the floorboards** if there are no bearers beneath (40mm screws).

## STEP 4: PENT INFILL PANELS



### SECURE INFILL PANELS TO SIDE PANELS (PENT SHEDS ONLY)

Position and secure the Infill Panels to the top of the Side Panels. They will be the same width as the Side Panel beneath. The Infill Panels are for the roof angle on your pent shed. **Secure the Infill Panels together** once they are secured to the Side Panels.



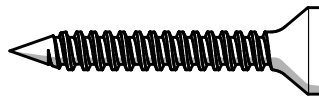
# SHED INSTRUCTIONS

## APEX & PENT SECTIONS (3)

### FIXING PACK CONTAINS:

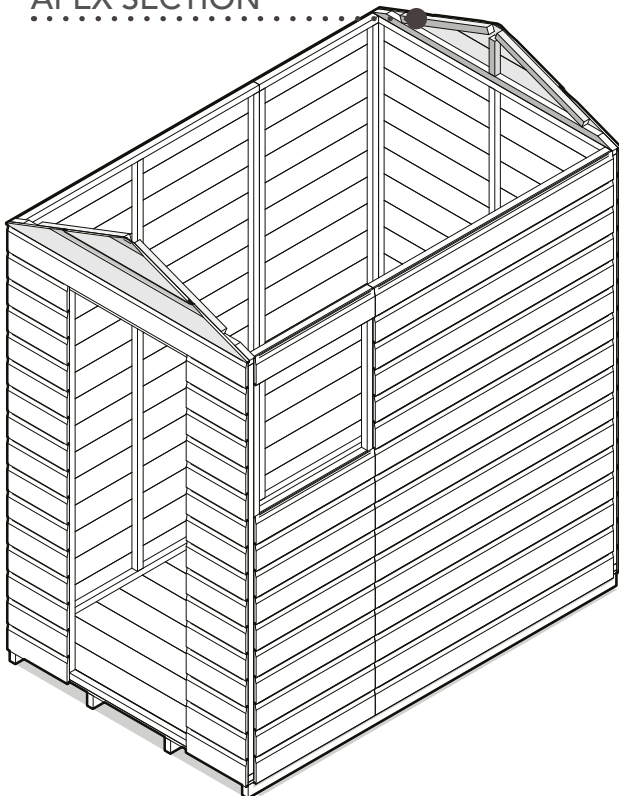
FIXING PACK CODE: SHEDGABLEFP

You may receive more than one of the same fixing pack to provide enough screws for the larger shed sizes.

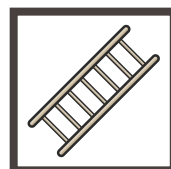
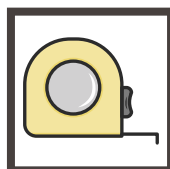
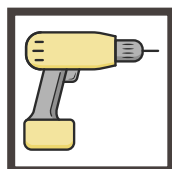
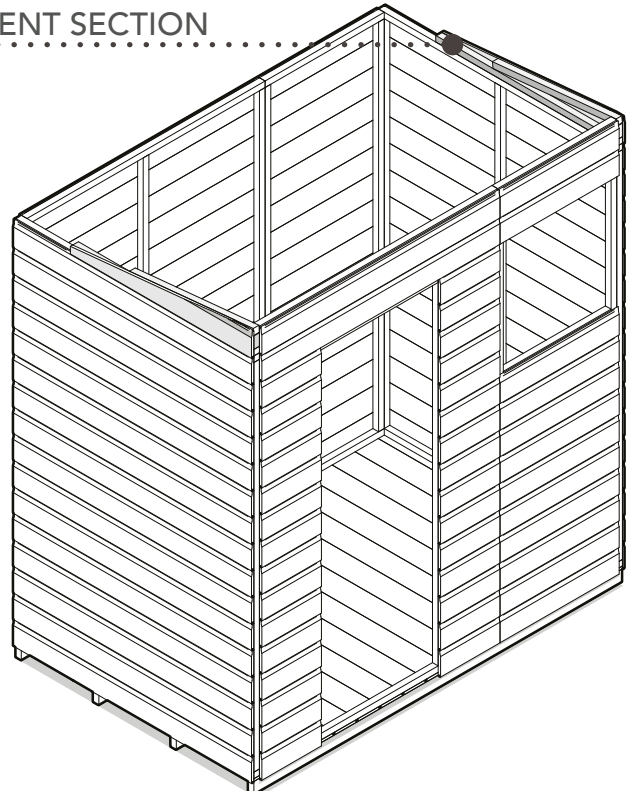


4 x 50mm Screws  
QTY: 8

APEX SECTION

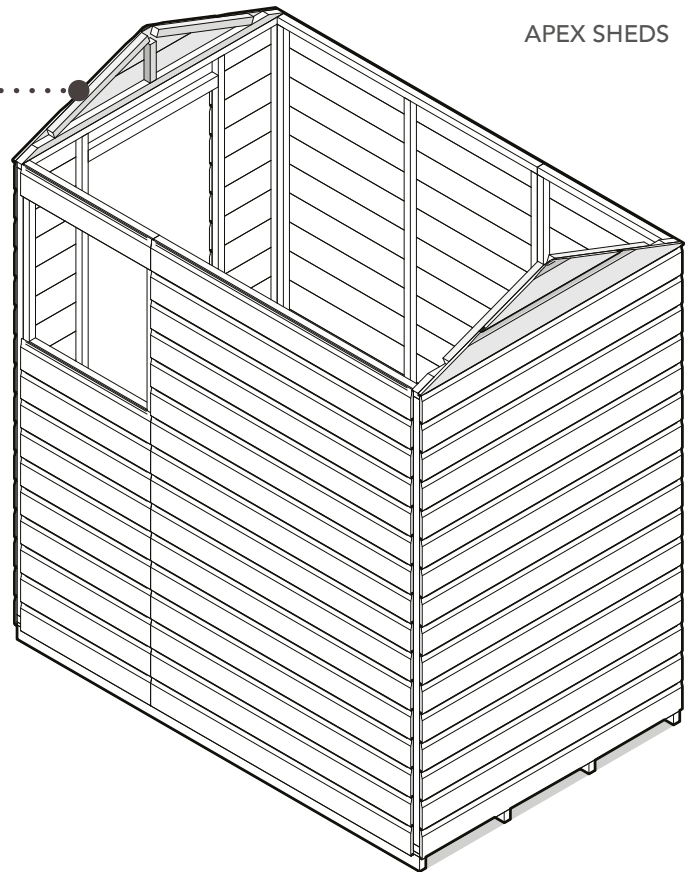
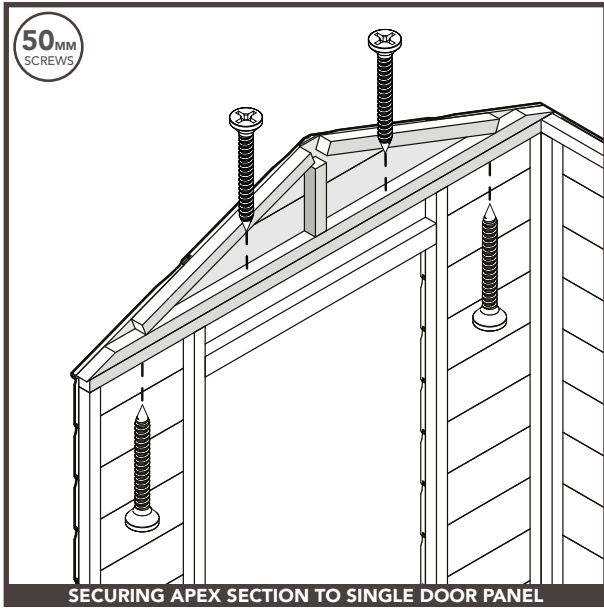


PENT SECTION

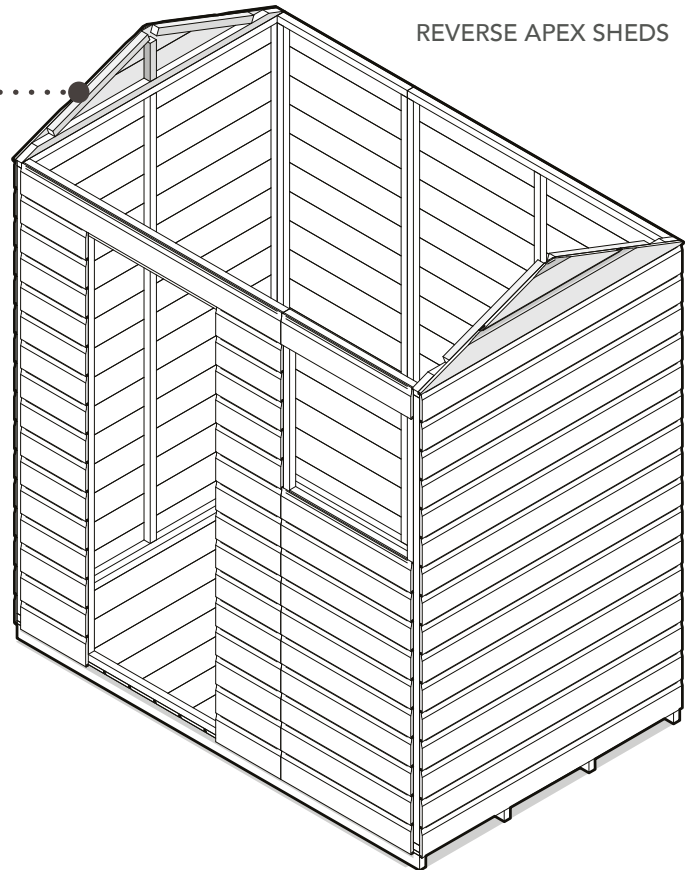
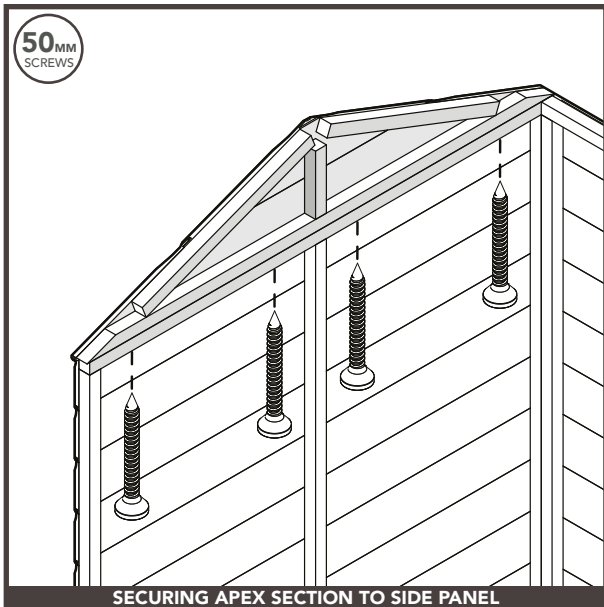


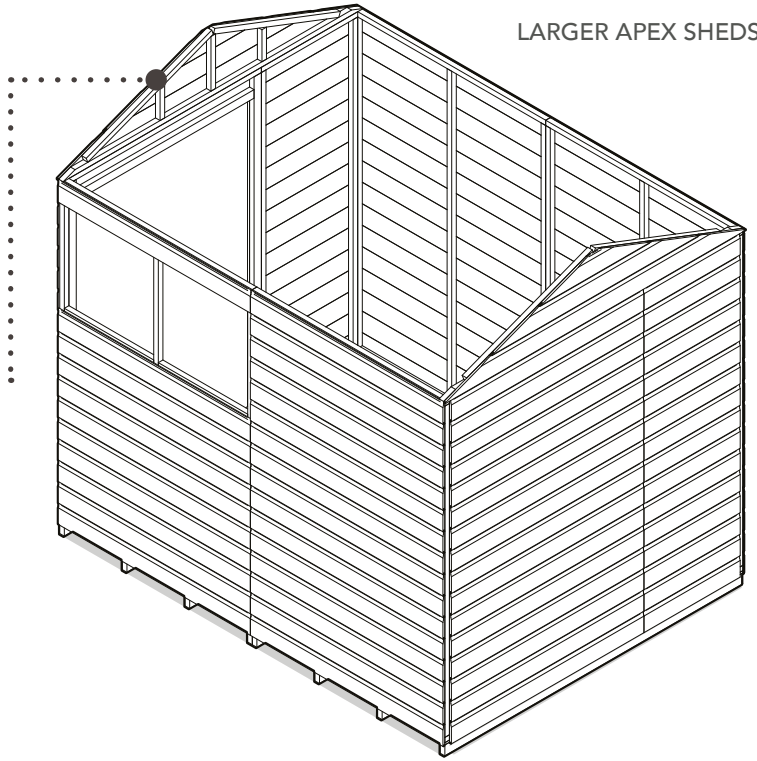
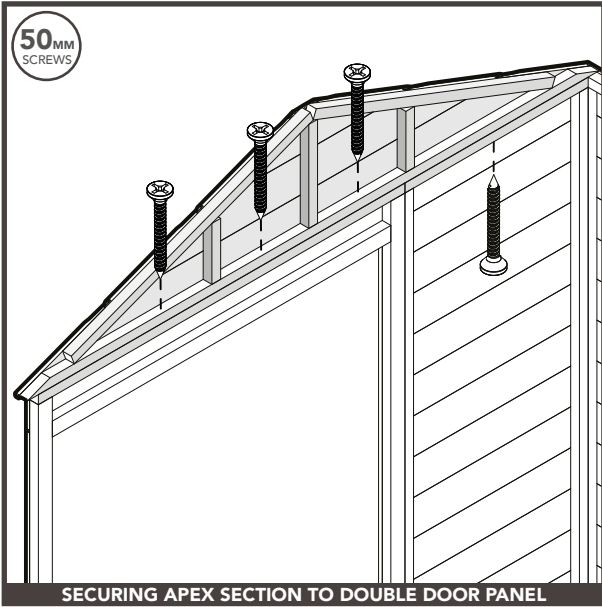
# STEP 1: APEX SECTION ASSEMBLY

APEX SHEDS



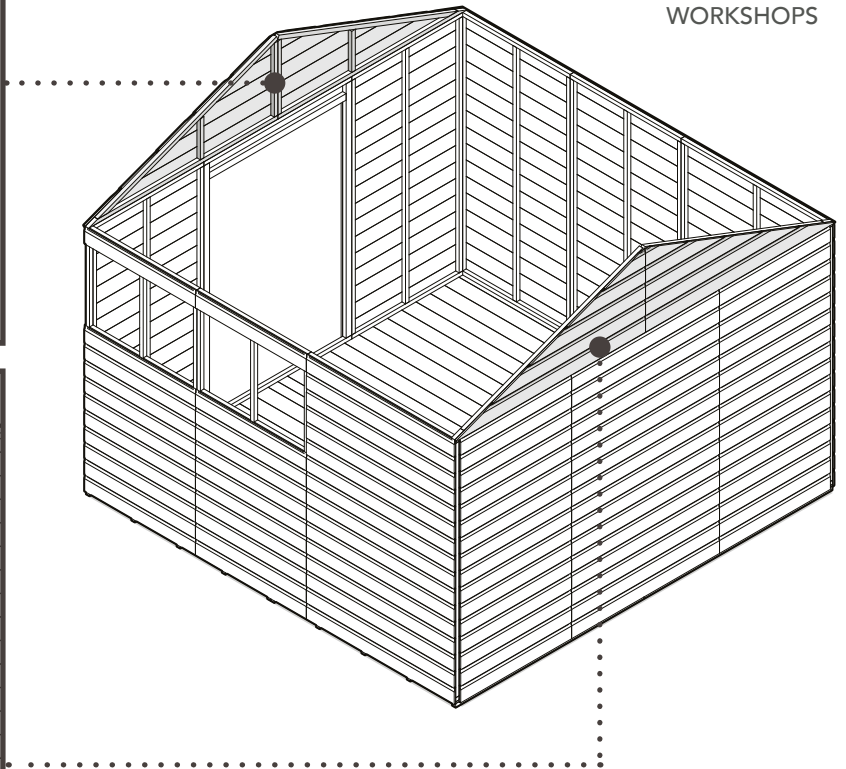
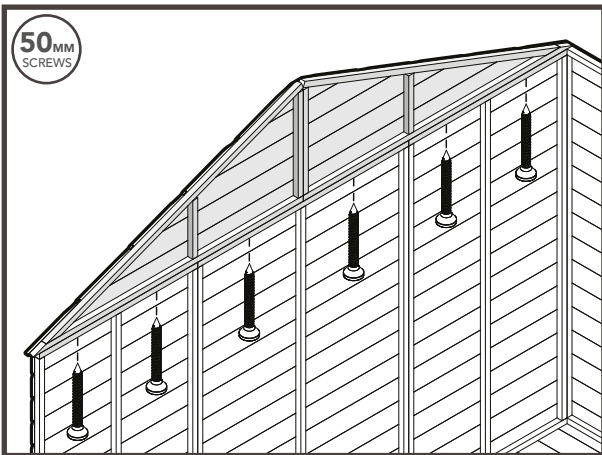
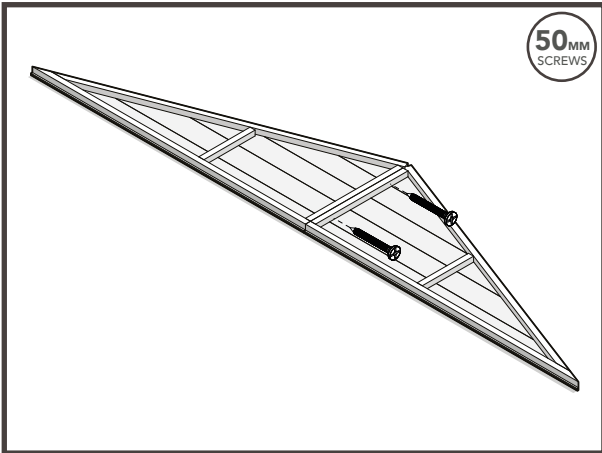
REVERSE APEX SHEDS





### APEX SECTIONS

Position and secure the Apex Sections to the Side Panels as shown above. For an apex shed, secure the Apex Sections to the front and back of your shed. For a reverse apex shed, secure the Apex Sections to the sides of your shed.

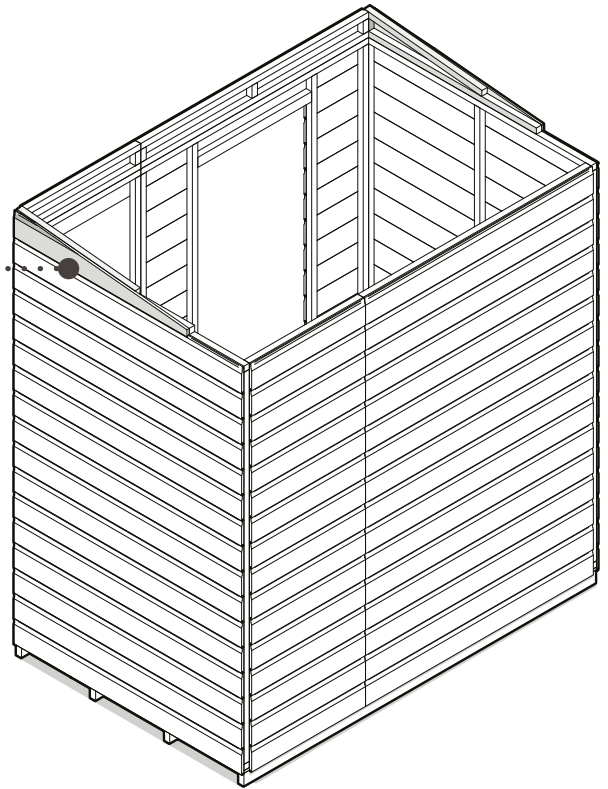
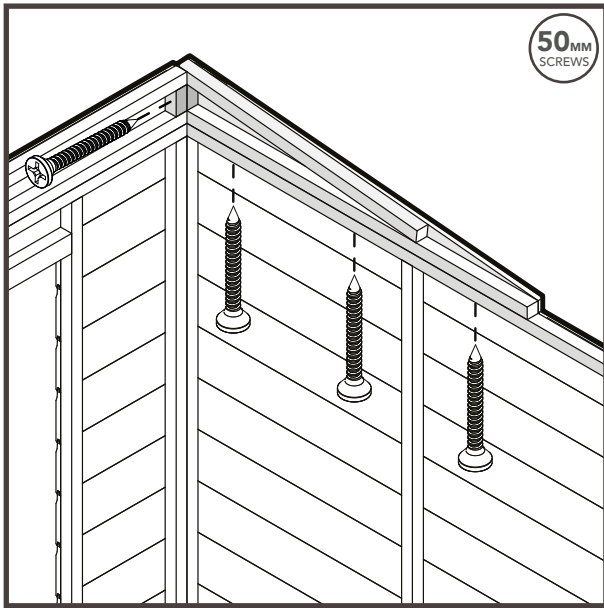


### WORKSHOP APEX SECTIONS

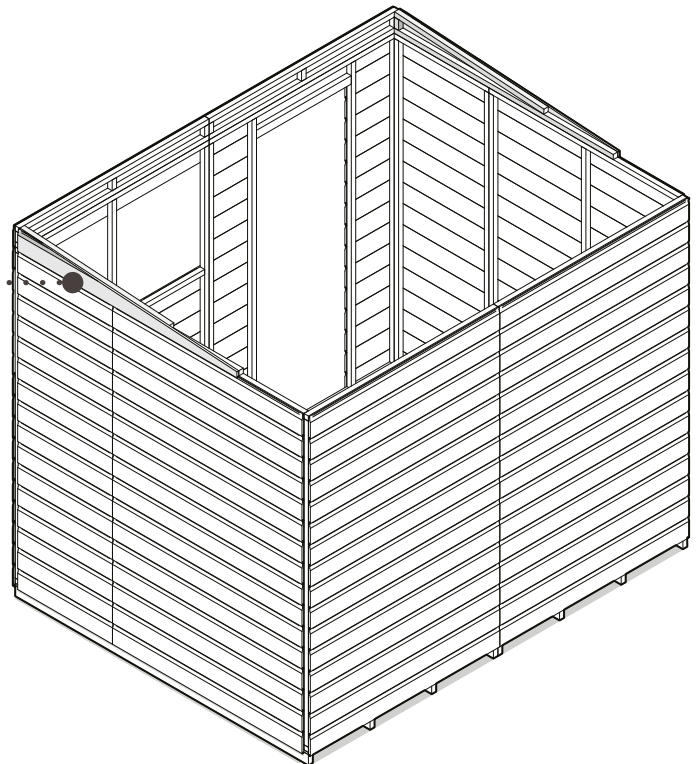
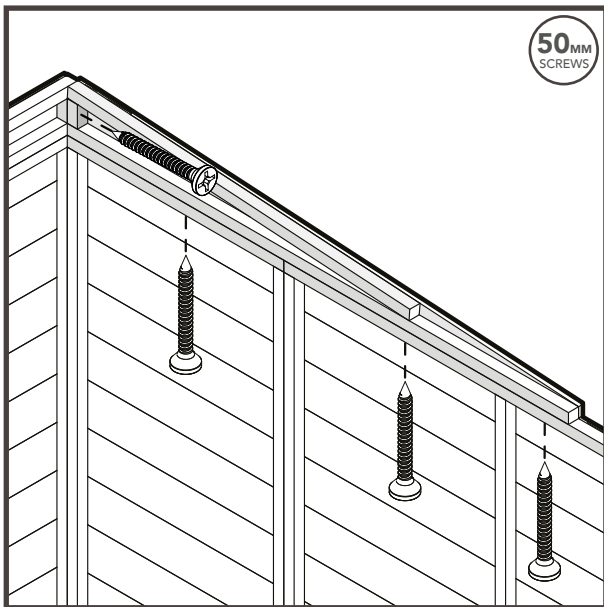
Secure the Left and Right Hand Apex Sections together to create a complete Apex Section piece. Position and secure the complete Apex Section Pieces to the Side Panels as shown above.

# STEP 2: PENT SECTION ASSEMBLY

PENT SHEDS



LARGER PENT SHEDS



## PENT SECTIONS

Position and secure the Pent Sections to the Side Panels and Infill Panels as shown above.

# SHED INSTRUCTIONS

## WINDOW ASSEMBLY (4)

### FIXING PACK CONTAINS:

FIXING PACK CODE: SHEDWINFP

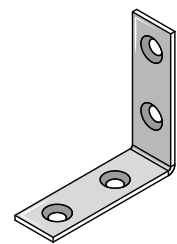
You may receive more than one of the same fixing pack to provide enough fixings for the sheds with more windows.



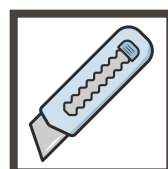
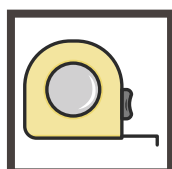
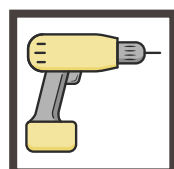
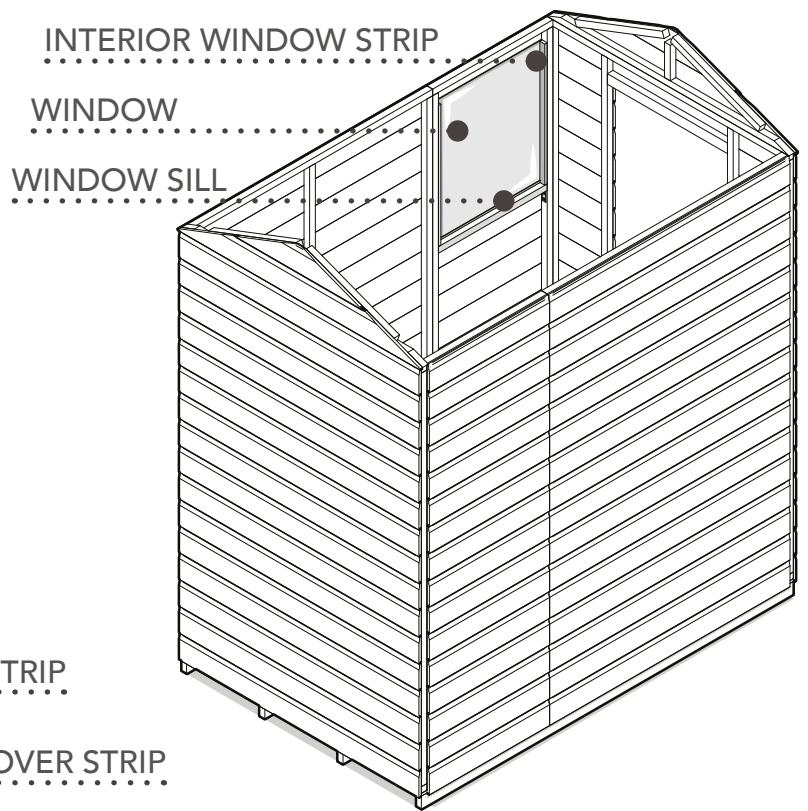
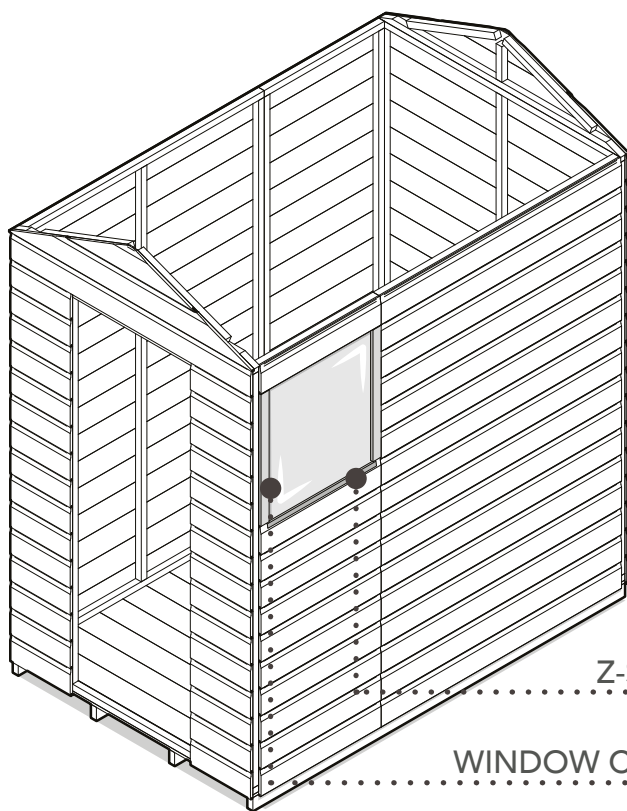
3.5 x 30mm Screws  
QTY: 14



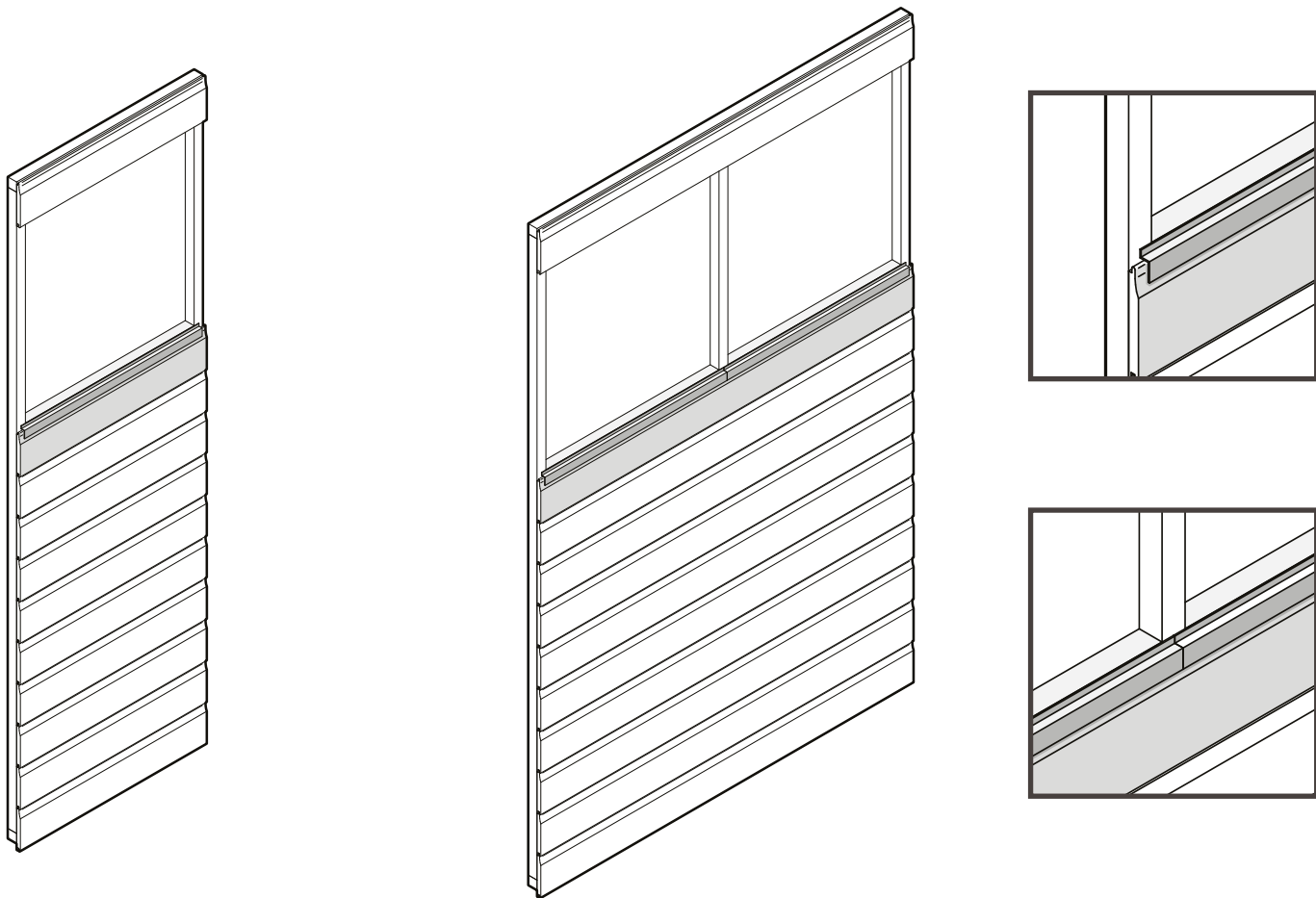
3.5 x 25mm Screws  
QTY: 16



L-Brackets (50mm)  
QTY: 4

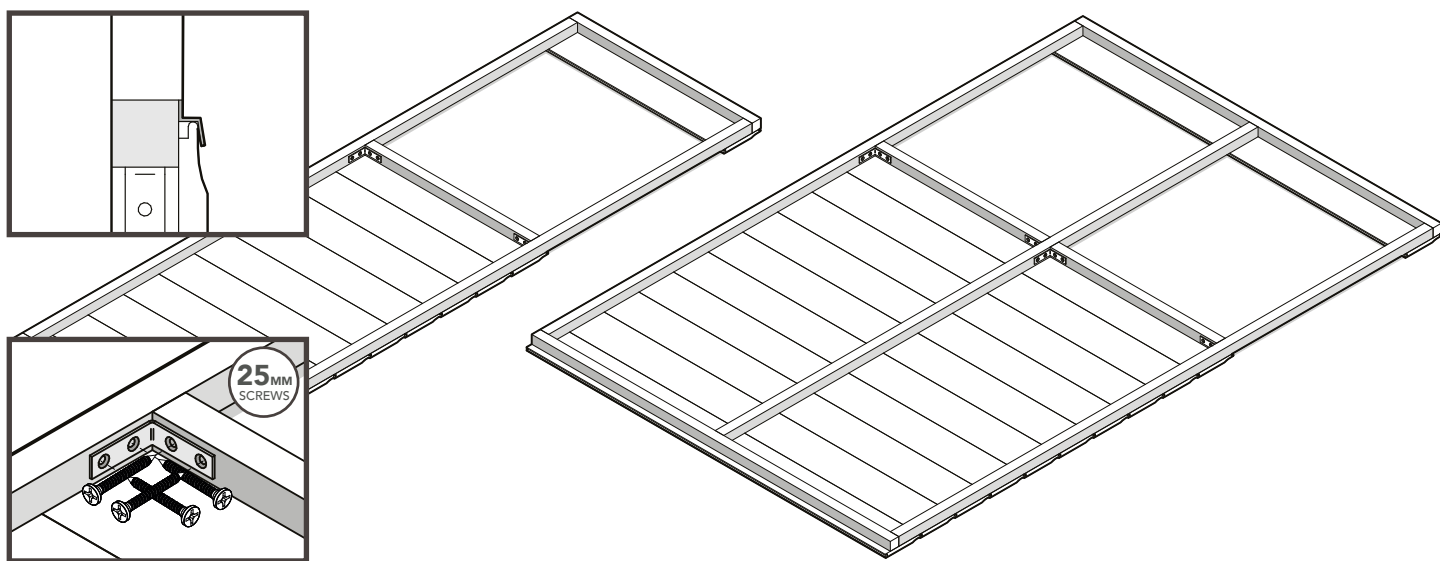


# STEP 1: WINDOW SILL ASSEMBLY



## TRIM & POSITION YOUR Z-STRIP(S)

Place the Z-Strip on top of the board in the window opening. Mark out and trim the Z-Strip to the required size. Ensure the Z-Strip sits across the window opening framework as shown above.

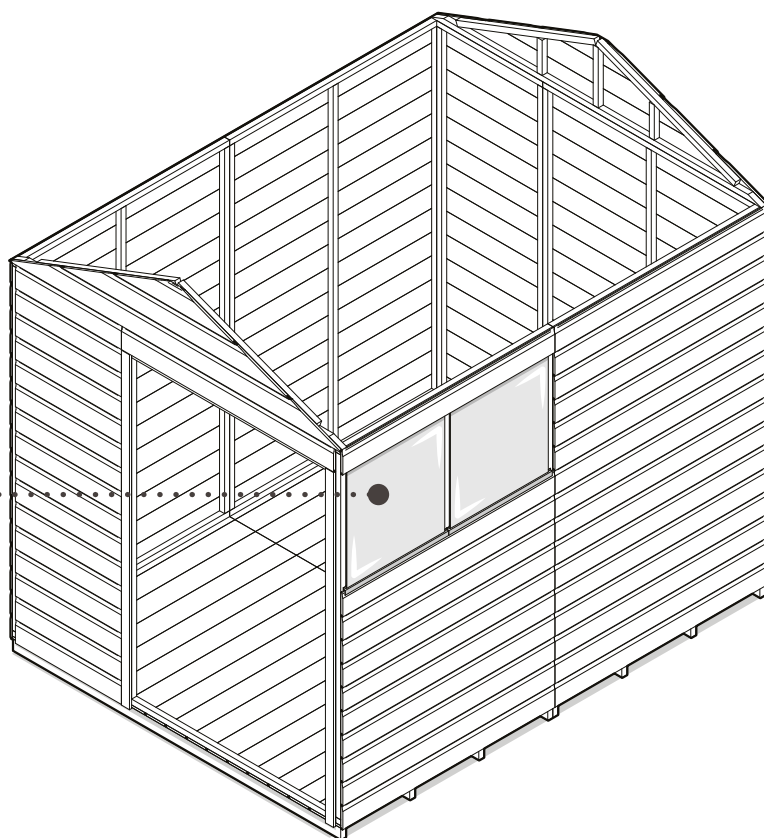
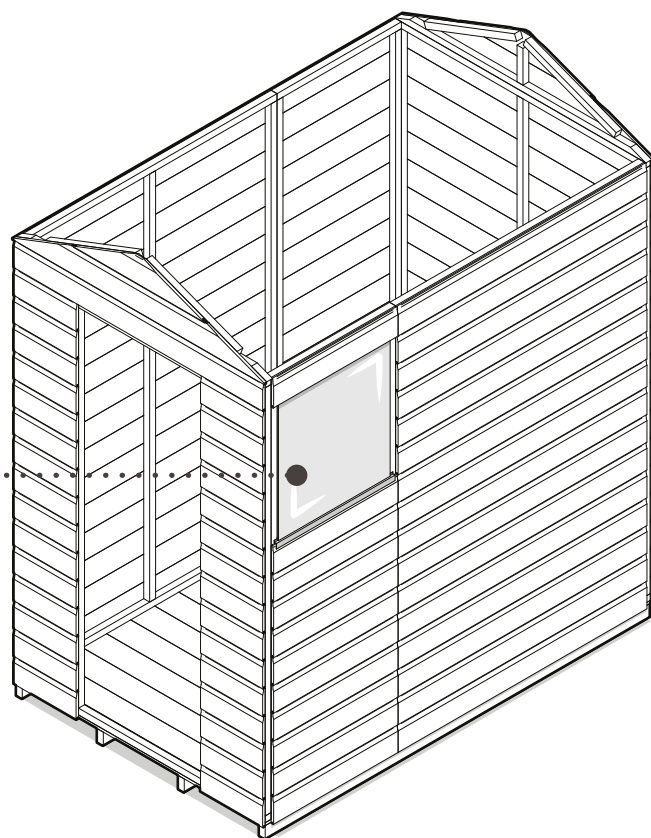
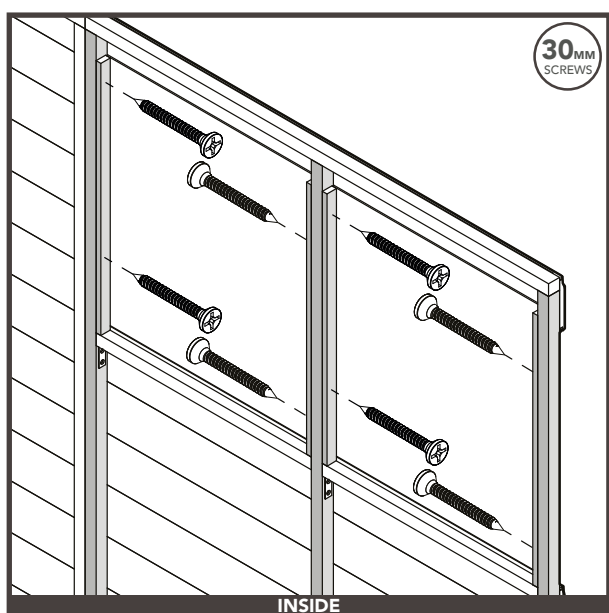
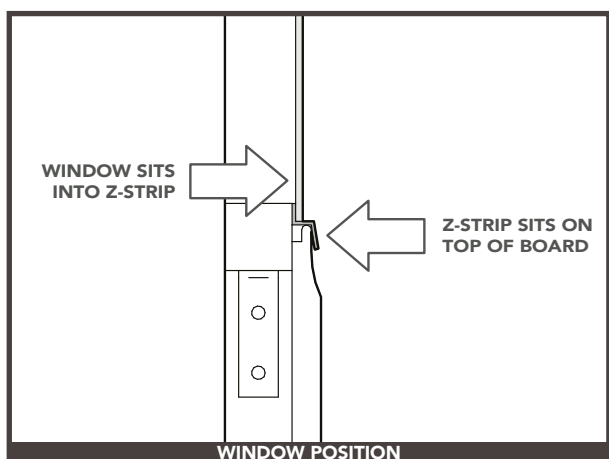
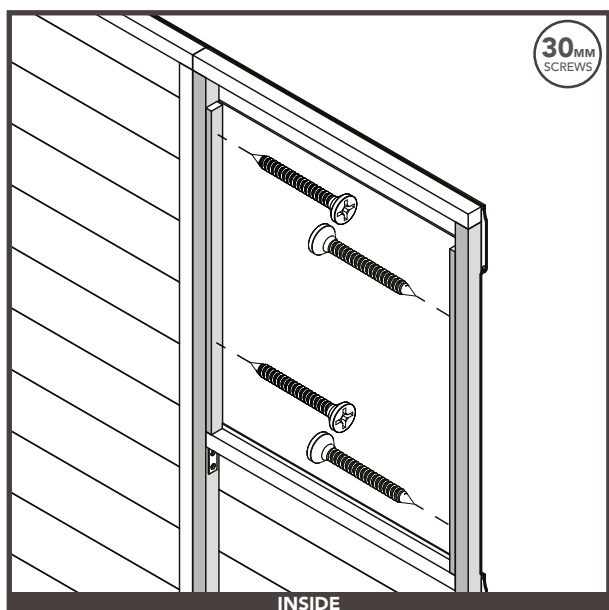


## WINDOW SILL(S)

Using the positioned Z-Strip(s), position the Window Sill(s) flush to the top of the Z-Strip. **Secure the Window Sill(s) using the L-Brackets to the Window Panel framework. Use 2 x L-Brackets per Window Sill.**

2ft Window panel window sill size (28x28x534mm), 3ft Window panel window sill size (28x28x400mm),  
4ft Window panel window sill size (28x28x548mm)

## STEP 2: WINDOW ASSEMBLY

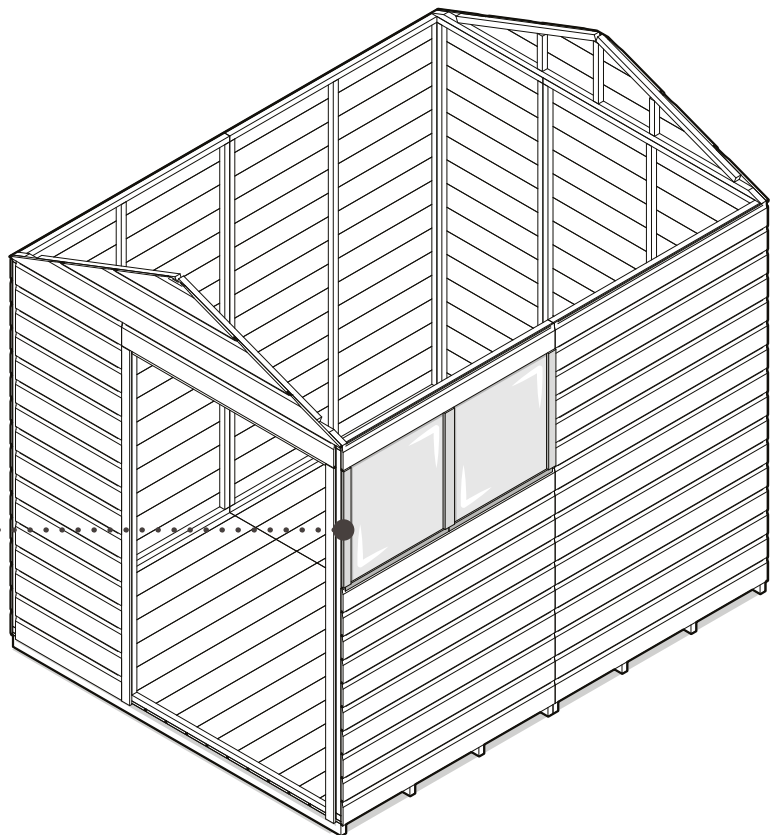
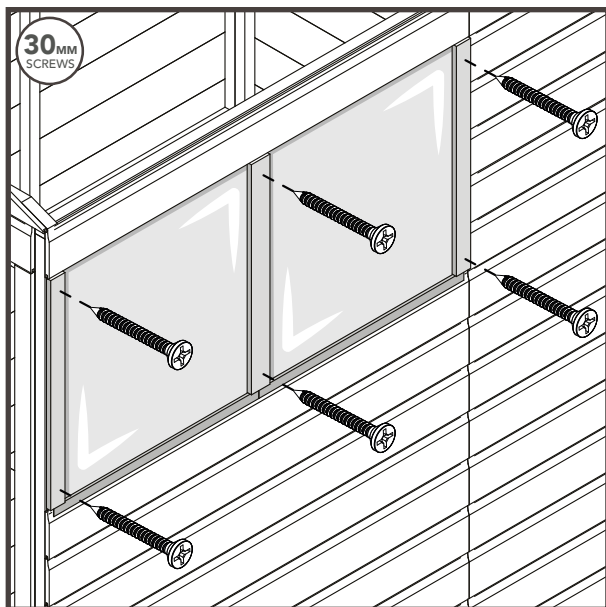
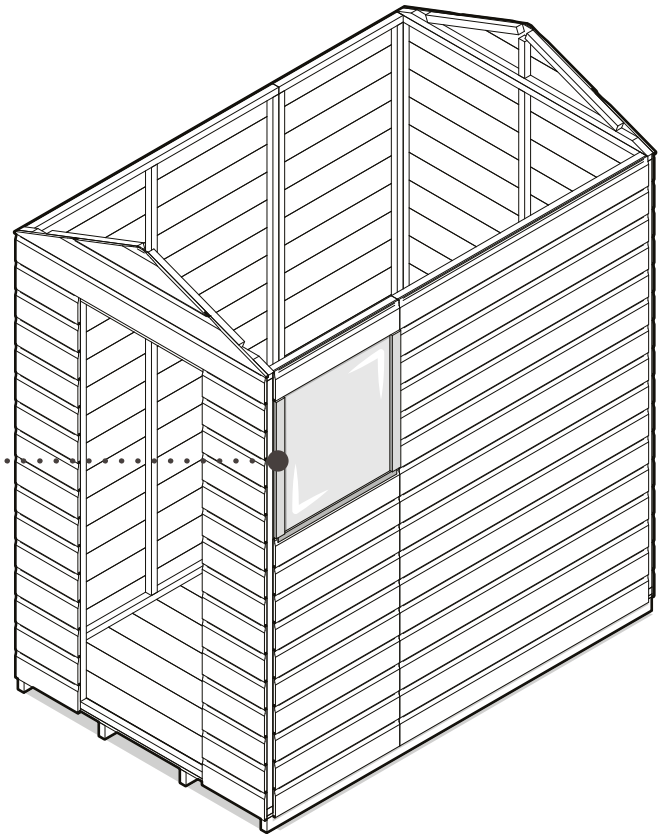
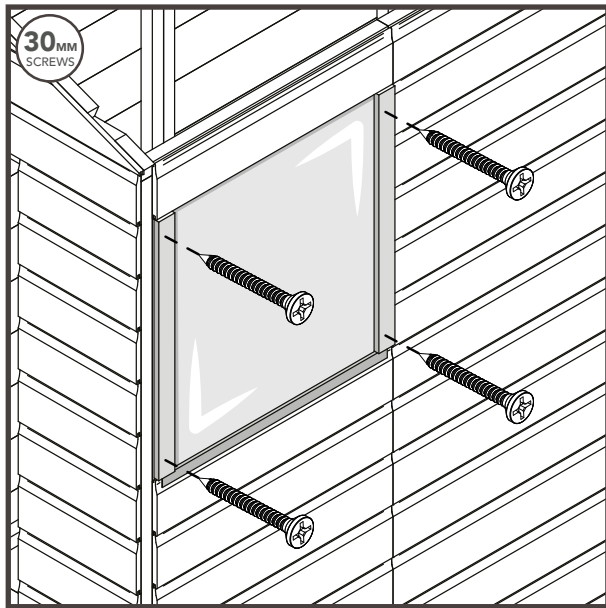


### WINDOW & INTERIOR WINDOW STRIPS

Position the Window onto the Z-Strip from the outside of your shed. The Window will be placed up against the top board on the inside of your Window Panel. Peel your protective film off the Window. Position and secure the Interior Window Strips whilst positioning the Window to ensure the Window is secured in place. Repeat the process for multiple Windows.

Interior window strip size (24x12x600mm)

## STEP 3: WINDOW COVER STRIPS



### SECURE WINDOW COVER STRIPS

Position and secure the Window Cover Strips to the Window Panel framework. The double Window Panel will have a wider cover strip for the centre of the Window Panel as shown above. These will further hold the Window(s) in place.



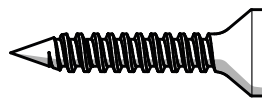
# SHED INSTRUCTIONS

## COVER STRIPS & DOOR STRIPS (5)

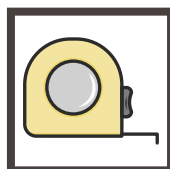
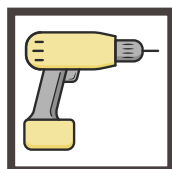
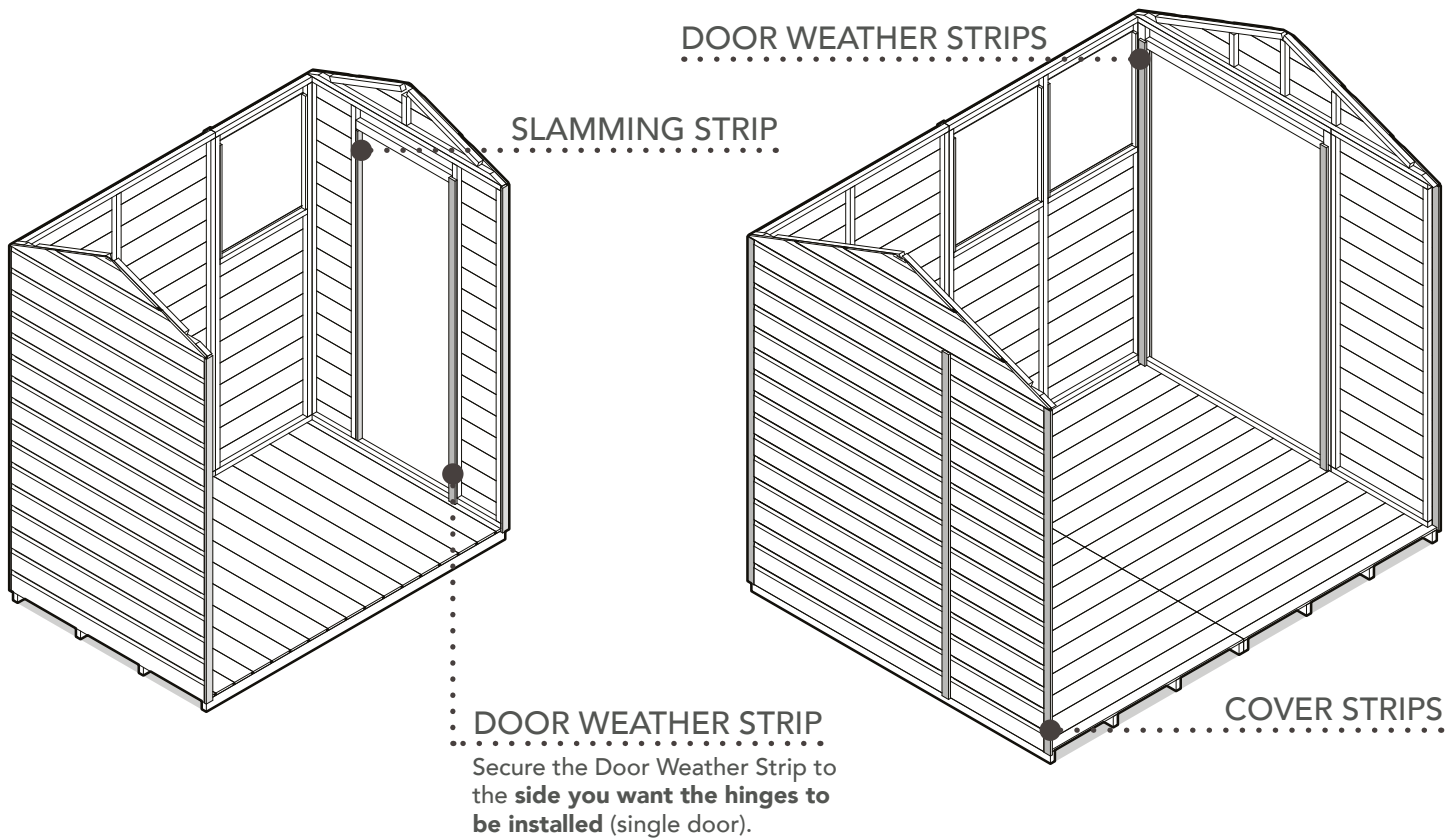
### FIXING PACK CONTAINS:

FIXING PACK CODE: SHEDSTRIPSP

You may receive more than one of the same fixing pack to provide enough screws for the larger shed sizes.

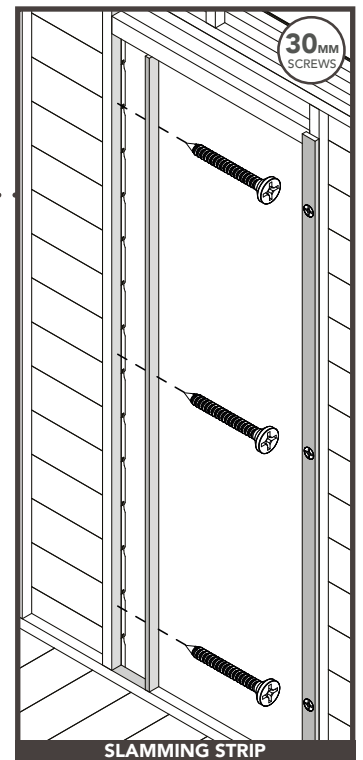
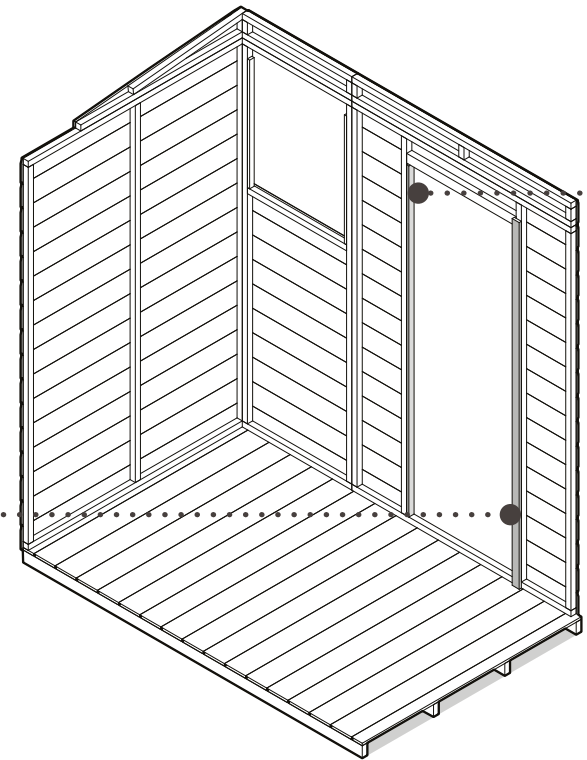
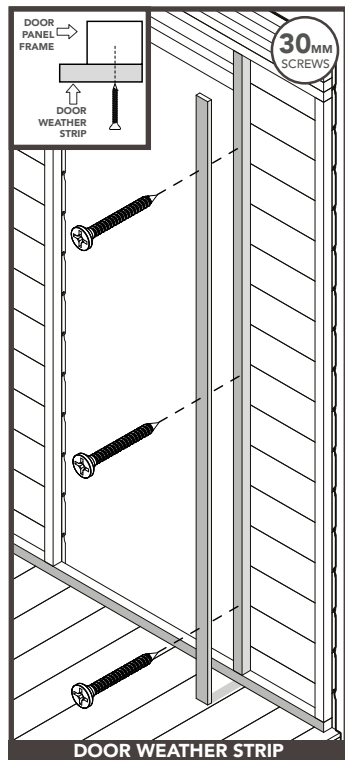
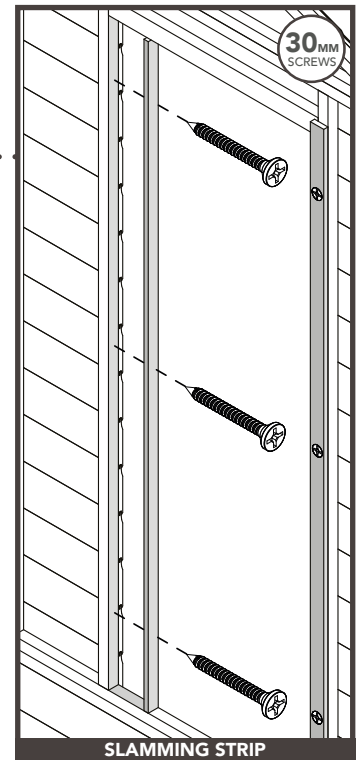
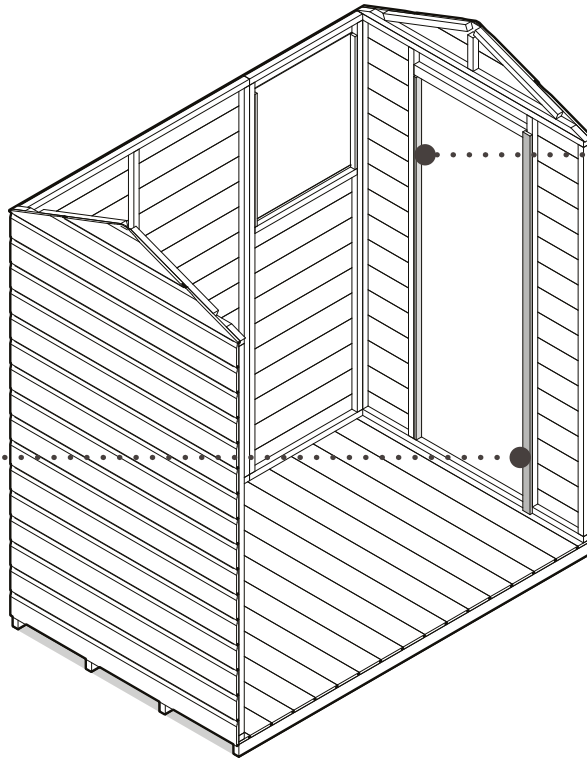
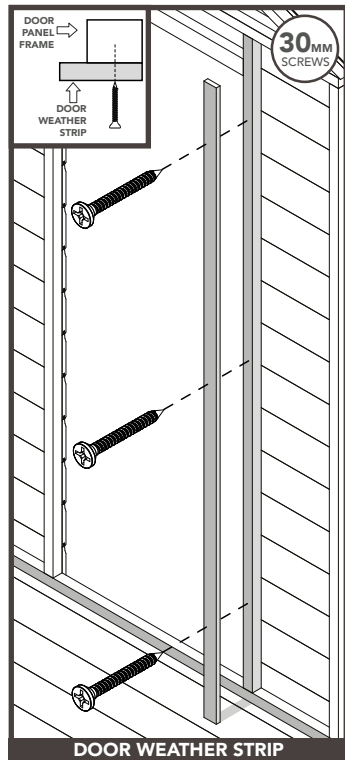


3.5 x 30mm Screws  
QTY: 30



# STEP 1: DOOR STRIPS

SINGLE DOOR



## DOOR WEATHER STRIP

Secure the Door Weather Strip to the side you want the hinges, and ensure it is flush to the Floor and against the face of the Door Panel framework. Ensure there is approximately a 10mm overhang into the door opening.

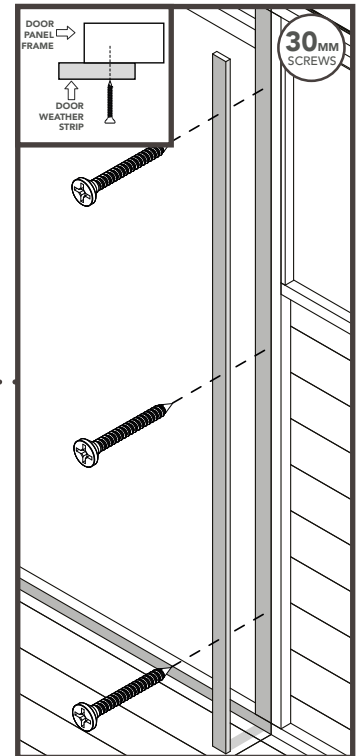
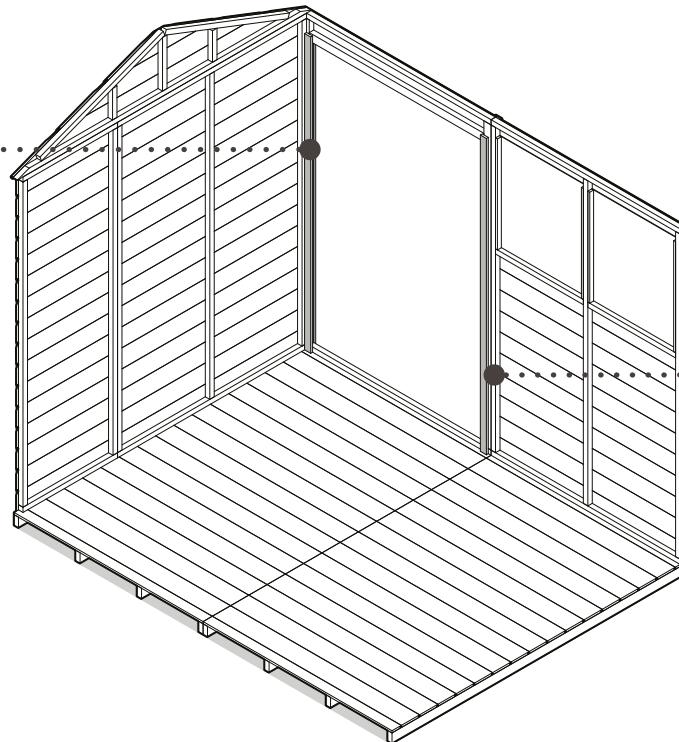
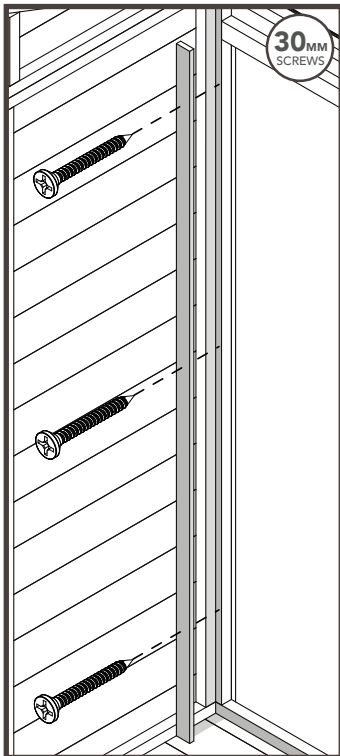
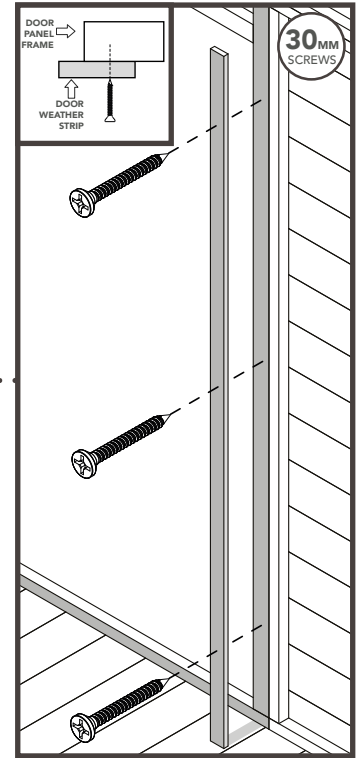
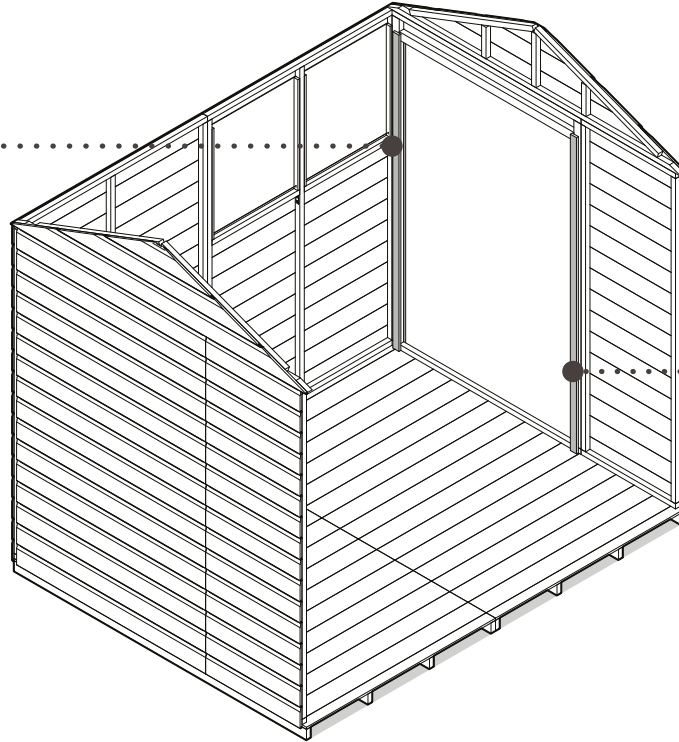
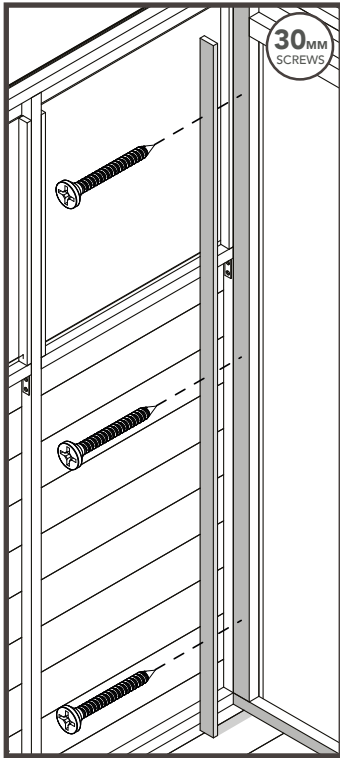
Door weather strip size (38x12x1710mm)

## SLAMMING STRIP

Secure the Slamming Strip, to the Door Panel in the door opening as shown above. This will be on the opposite side you want the hinges.

Slamming strip size (28x12x1637mm)

## DOUBLE DOOR



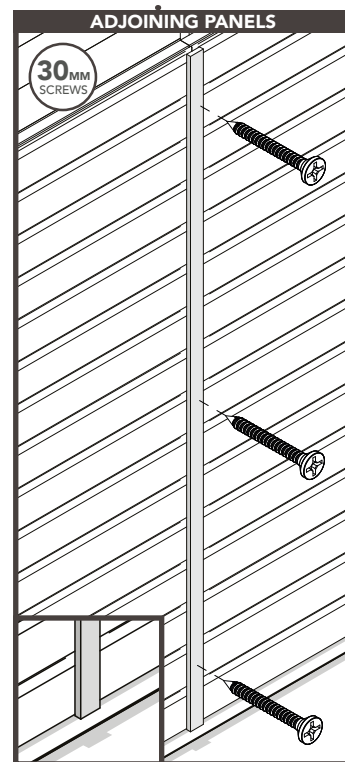
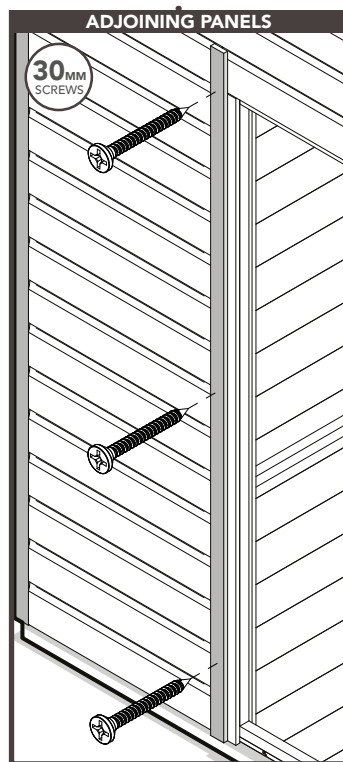
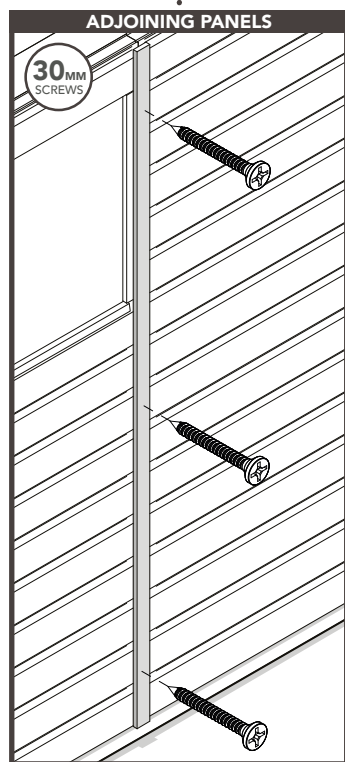
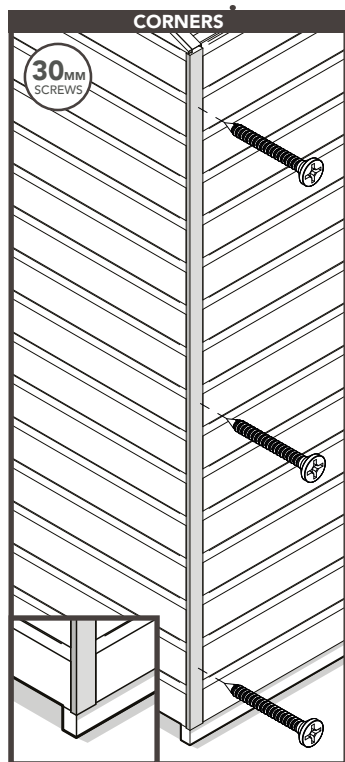
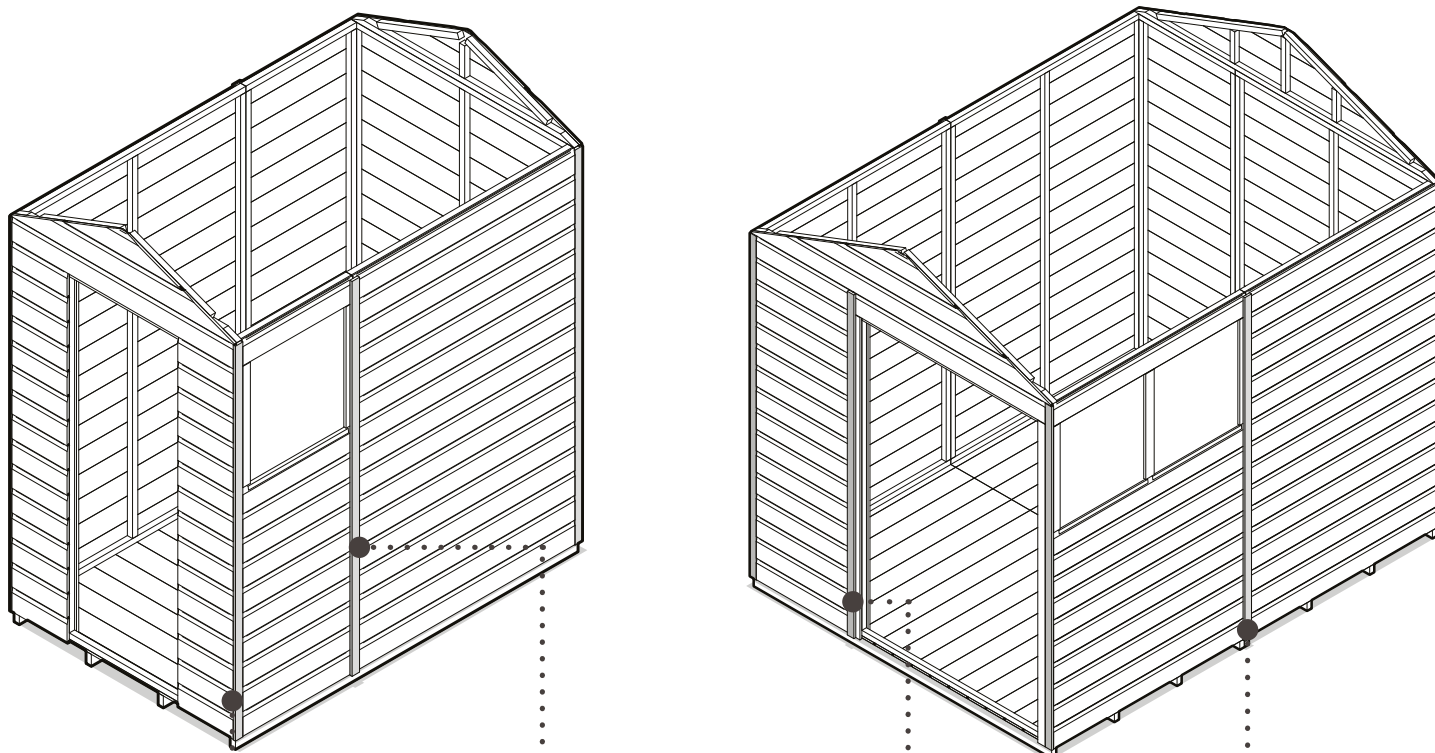
### DOOR WEATHER STRIPS

Secure the Door Weather Strips to the Door Panels framework, and ensure they are flush to the Floor and against the face of the Door Panel framework. Ensure there is approximately a 10mm overhang into the door opening. If due to the panel configuration, your Door Panel framework is partly hidden, secure the Door Weather Strip to the visible framework as shown above.

Door weather strip size (38x12x1710mm)

# STEP 2: COVER STRIPS

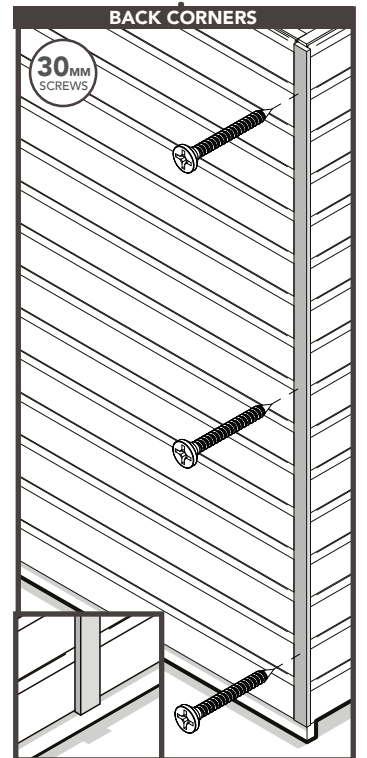
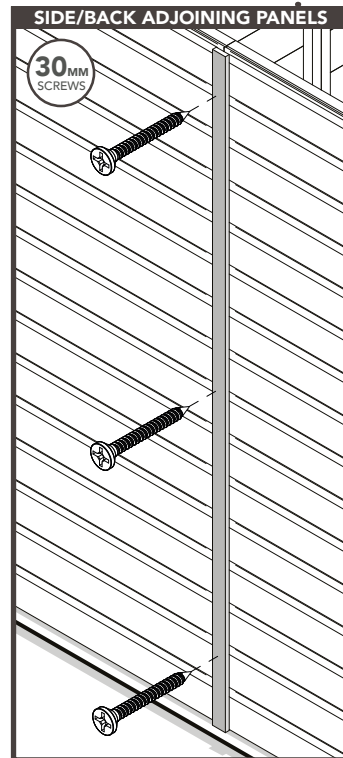
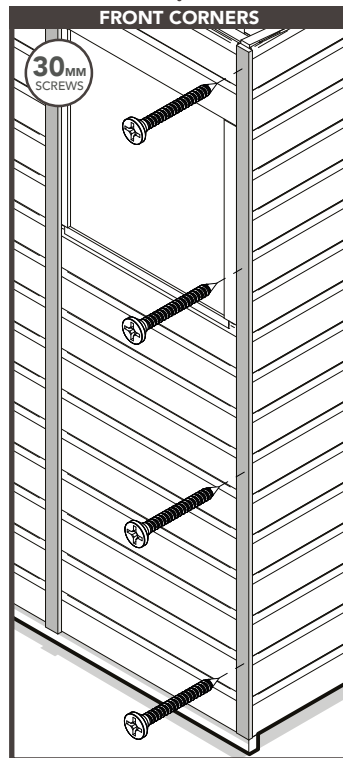
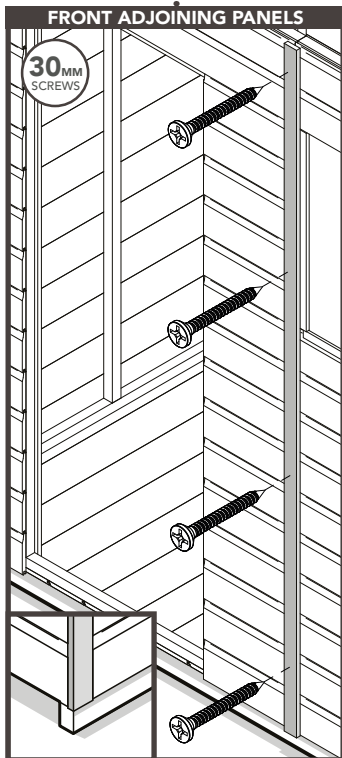
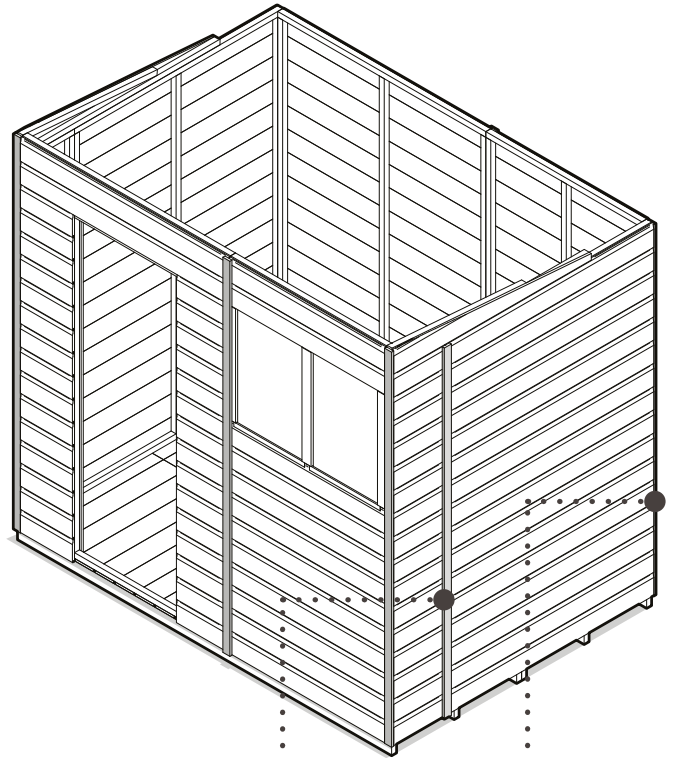
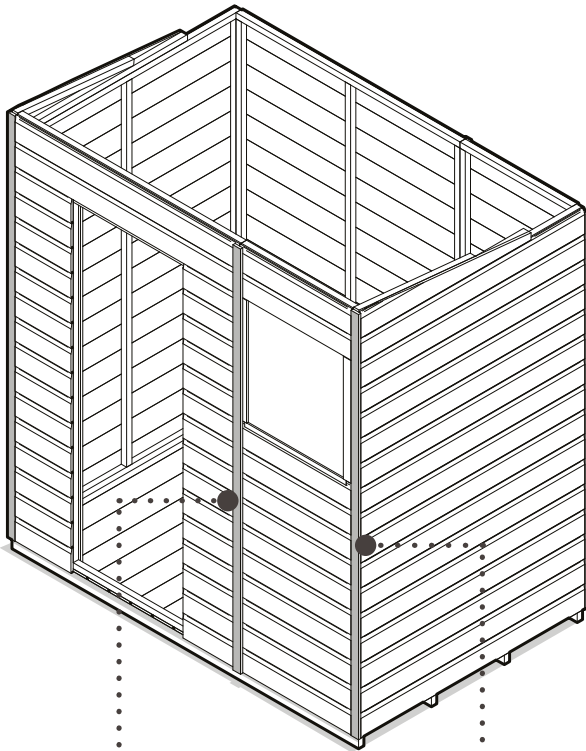
APEX & REVERSE APEX SHEDS



## COVER STRIPS

Secure the Cover Strips to the corners and adjoining panels. Ensure they are flush to the bottom edge of the panels. Make sure to secure the Cover Strips to the framework behind and not into the joins of the panels.

Cover strips size (1823mm)



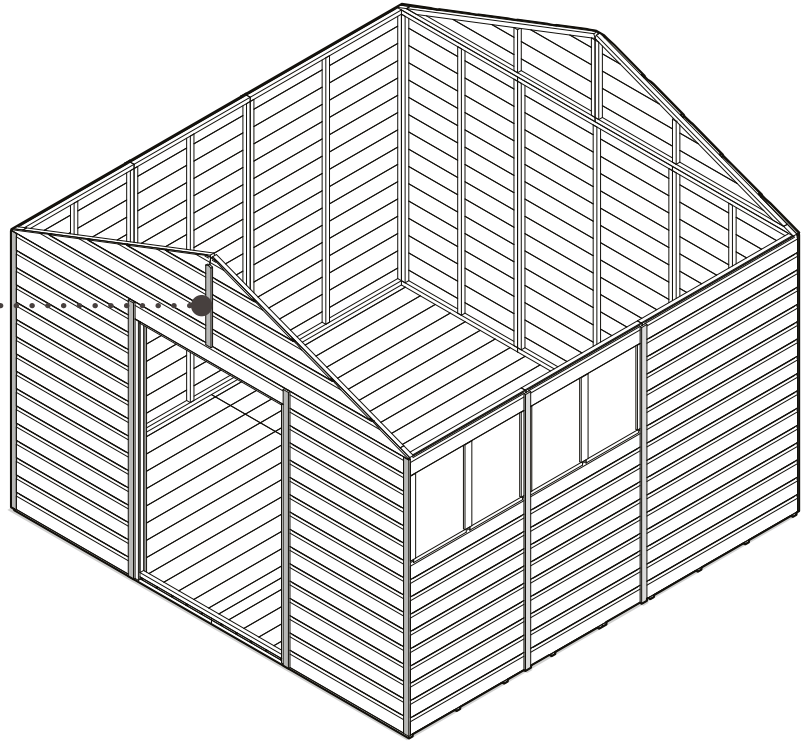
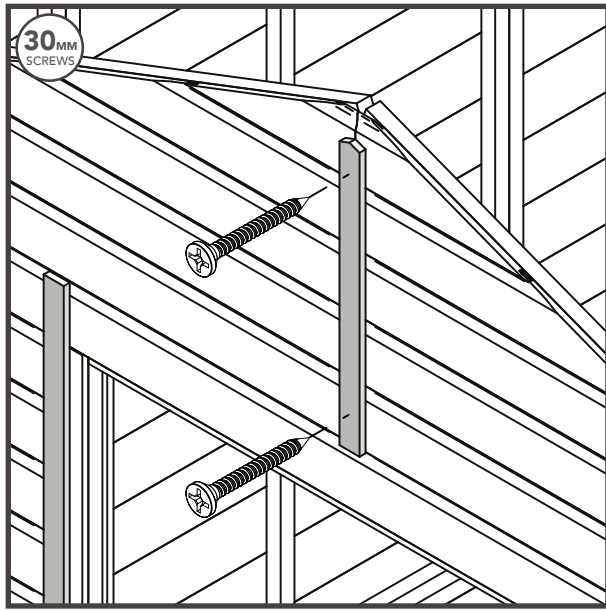
### COVER STRIPS

Secure the Cover Strips to the corners and adjoining panels. Ensure they are flush to the bottom edge of the panels. Make sure to secure the Cover Strips to the framework behind and not into the joins of the panels. The Front Cover Strips are longer than the Side/Back Cover Strips.

Front Cover strips size (1940mm), Side/Back Cover strips size (1823mm)

# STEP 3: WORKSHOP APEX COVER STRIPS

WORKSHOPS



## WORKSHOP APEX COVER STRIPS

Position and secure the Apex Cover Strips to Apex Sections. Ensure they are flush to the bottom edge of the board on the Apex Sections. Make sure to **secure the Apex Cover Strips to the framework behind and not into the joins of the Apex Sections.**

# SHED INSTRUCTIONS

## TRUSS ASSEMBLY (6)

### FIXING PACK CONTAINS:

FIXING PACK CODE: SHEDTRUSSFP



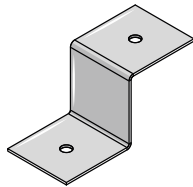
M6 Nut  
QTY: 4



M6 x 25mm Washer  
QTY: 4

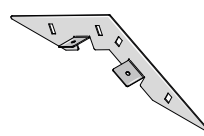


3.5 x 25mm Screws  
QTY: 34

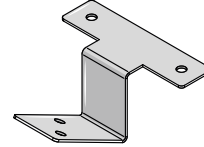


Z-Brackets (28mm)  
QTY: 8

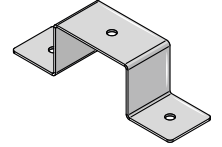
TRUSS FIXING PACK CODE: STPK21



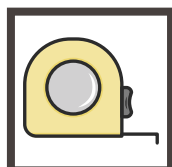
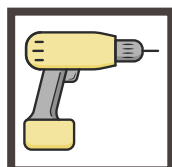
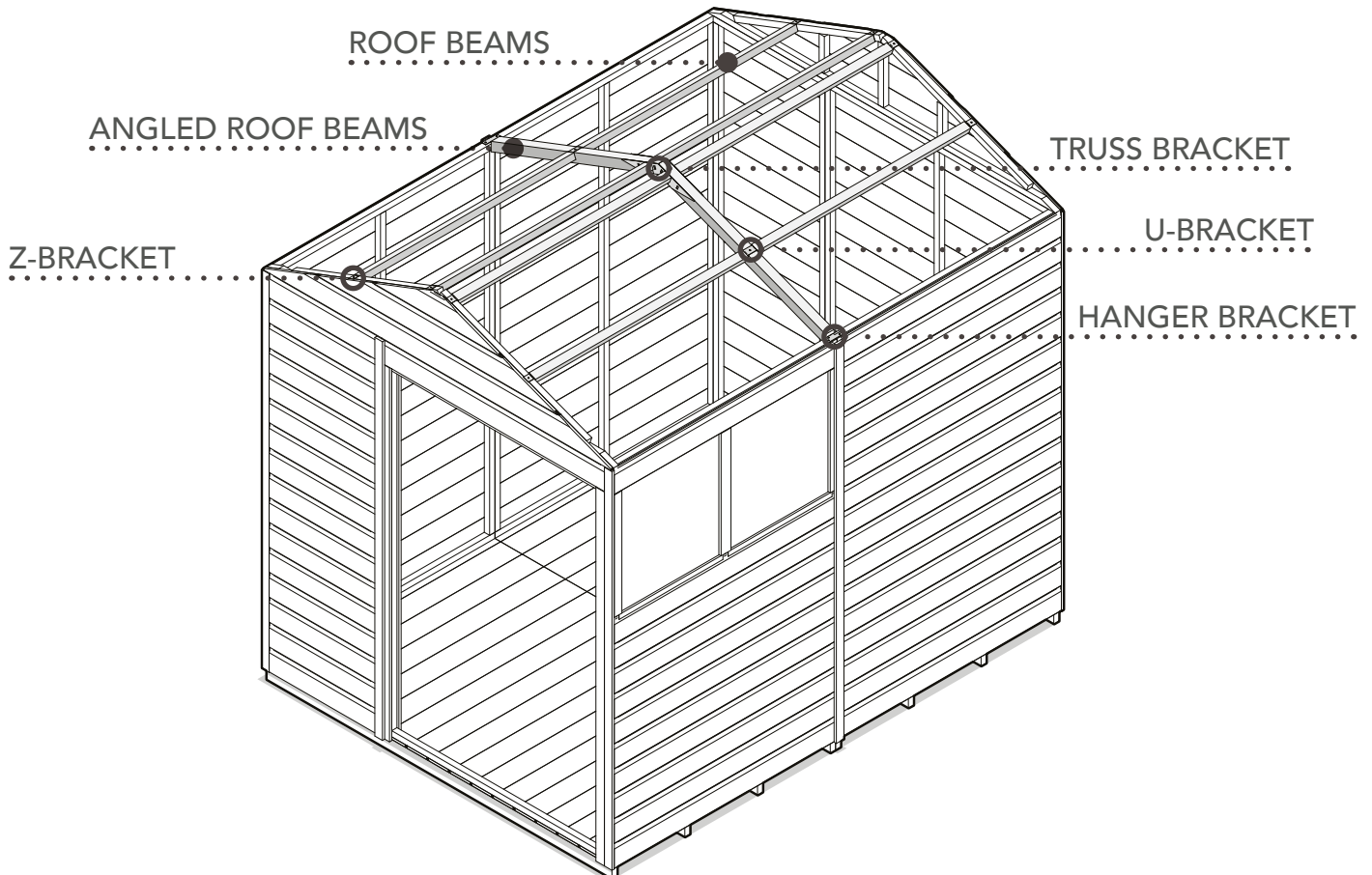
Truss Brackets  
(MSMTJB21) QTY: 2



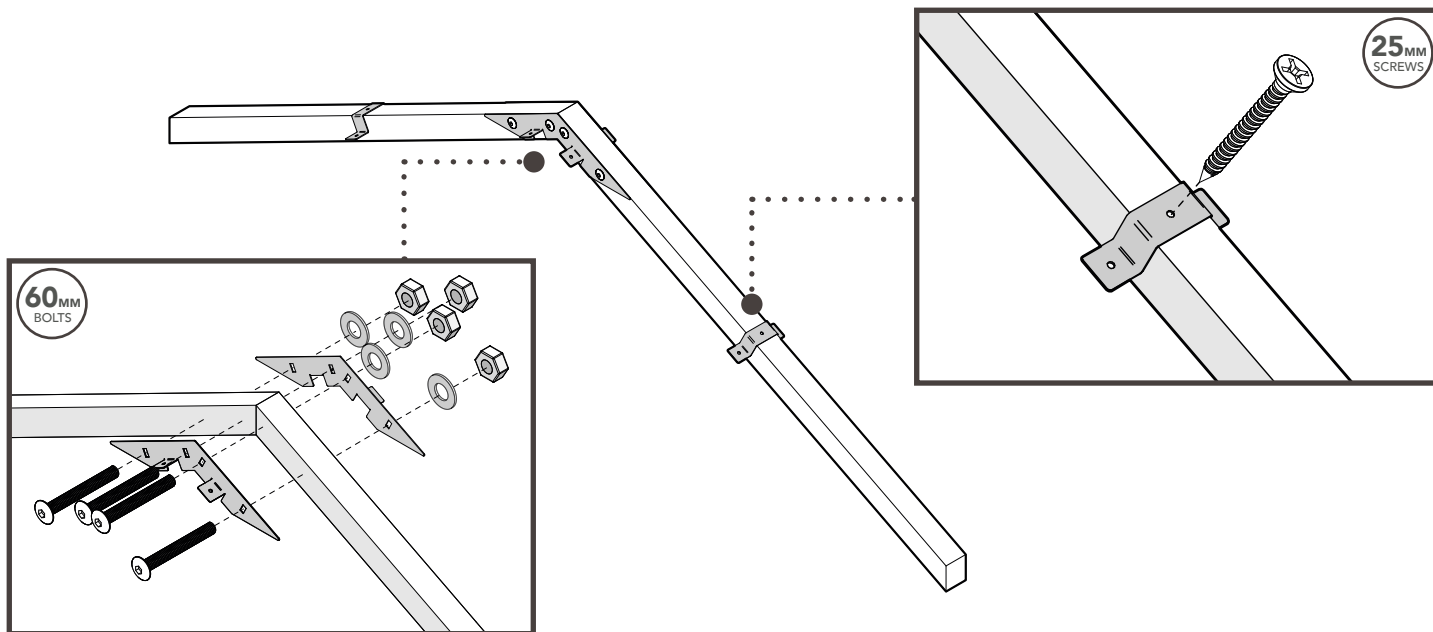
Hanger Brackets  
(MSTSB21) QTY: 2



U-Brackets  
(MSUB) QTY: 2



# STEP 1: TRUSS ASSEMBLY

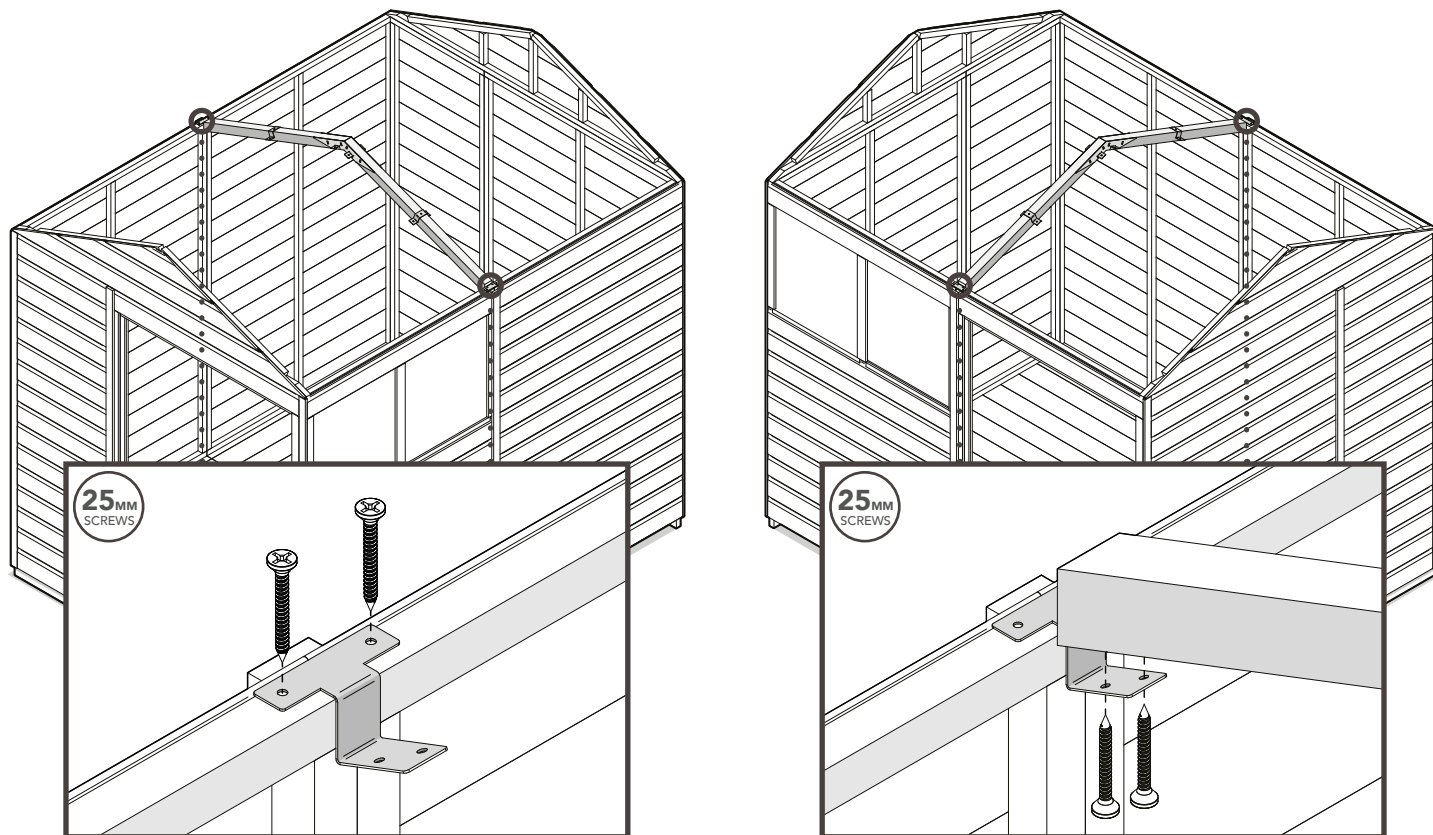


## TRUSS BRACKETS

Assemble the Truss as shown above. Ensure the truss brackets are flush to the edge of the Angled Roof Beams to establish the correct angle.

## U-BRACKETS

Position and secure the U-brackets to the centre of the Angled Roof Beams as shown above.



## SECURE HANGER BRACKETS

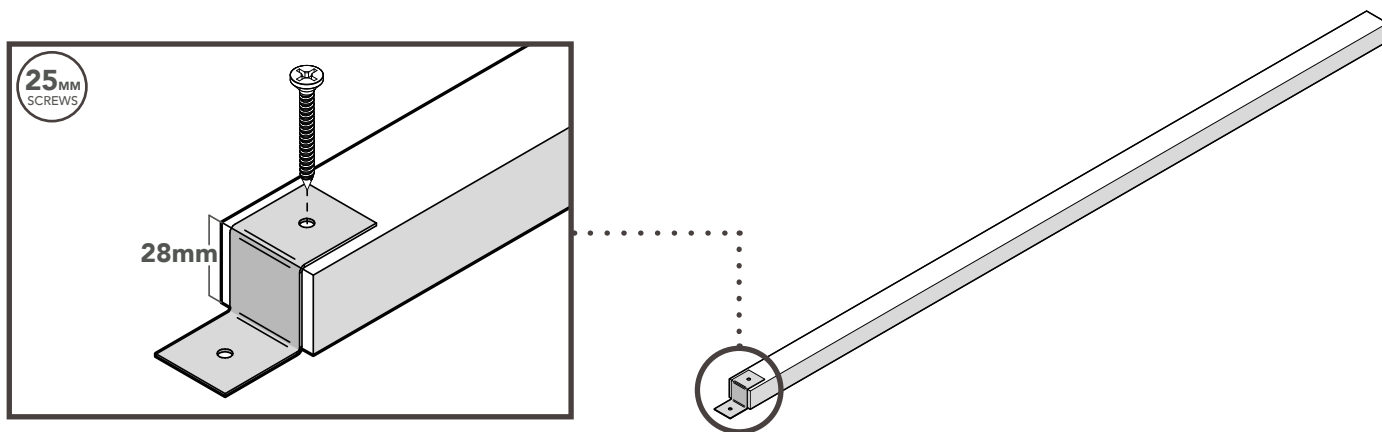
Position and secure the hanger bracket to the centre of your shed. There needs to be one on each side.

## SECURE TRUSS

Position and secure the assembled truss to the hanger brackets. The truss will be centralised inside your shed and facing the Apex Sections as shown above.

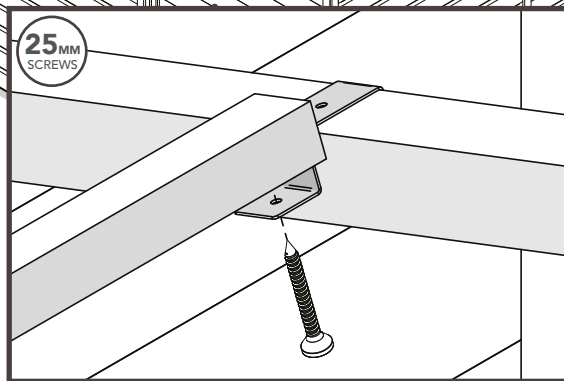
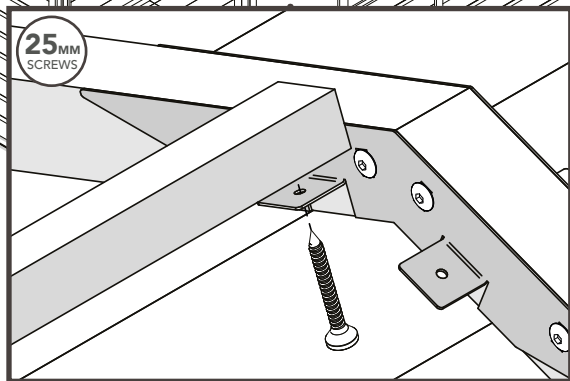
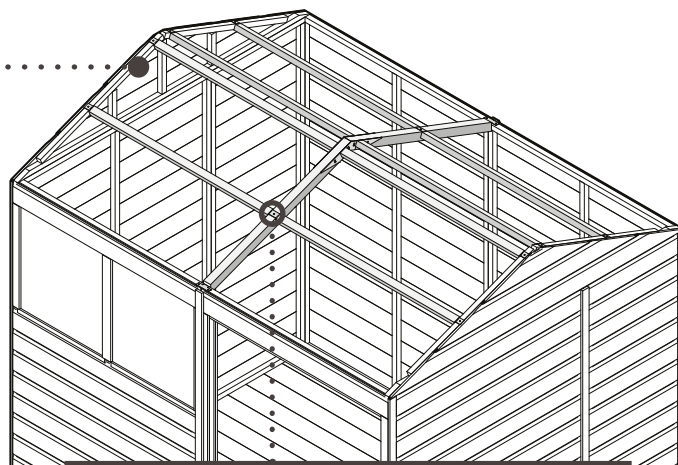
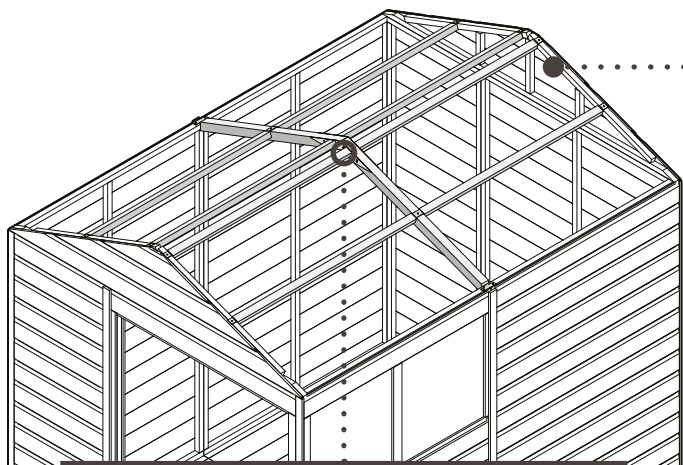
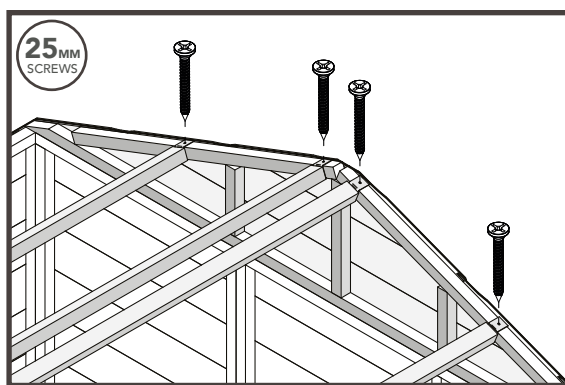


## STEP 2: ROOF BEAMS ASSEMBLY



### Z-BRACKETS

Position and secure a Z-bracket to one end on all your Roof Beams as shown above.  
The Roof Beam should be flush to the Z-bracket.



### SECURE ROOF BEAMS TO TRUSS & APEX SECTIONS

Position and secure the Z-brackets to the Apex Sections and secure the other end of the Roof Beams to the U-brackets and truss brackets as shown above.

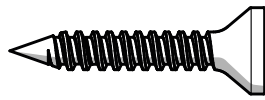
# SHED INSTRUCTIONS

## OSB ROOF SHEETS & FELT (7)

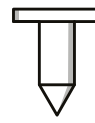
### FIXING PACK CONTAINS:

FIXING PACK CODE: OSBSHEDROOFFP

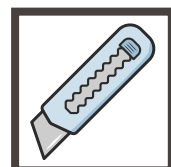
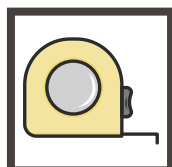
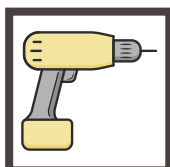
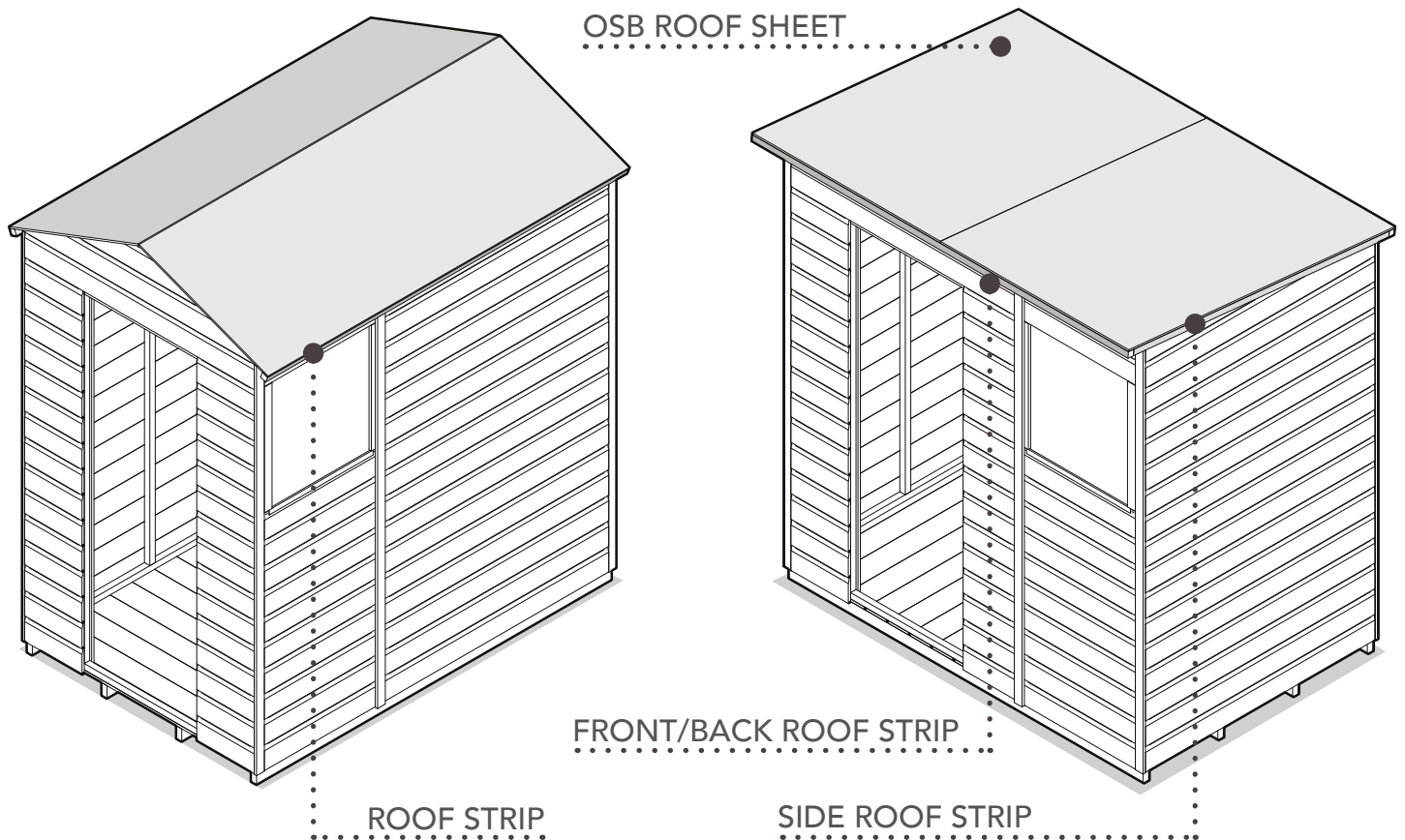
You may receive more than one of the same fixing pack to provide enough screws and felt tacks for the larger shed sizes.



3.5 x 30mm Screws  
QTY: 60

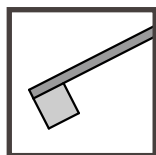


Felt Tacks  
QTY: 145

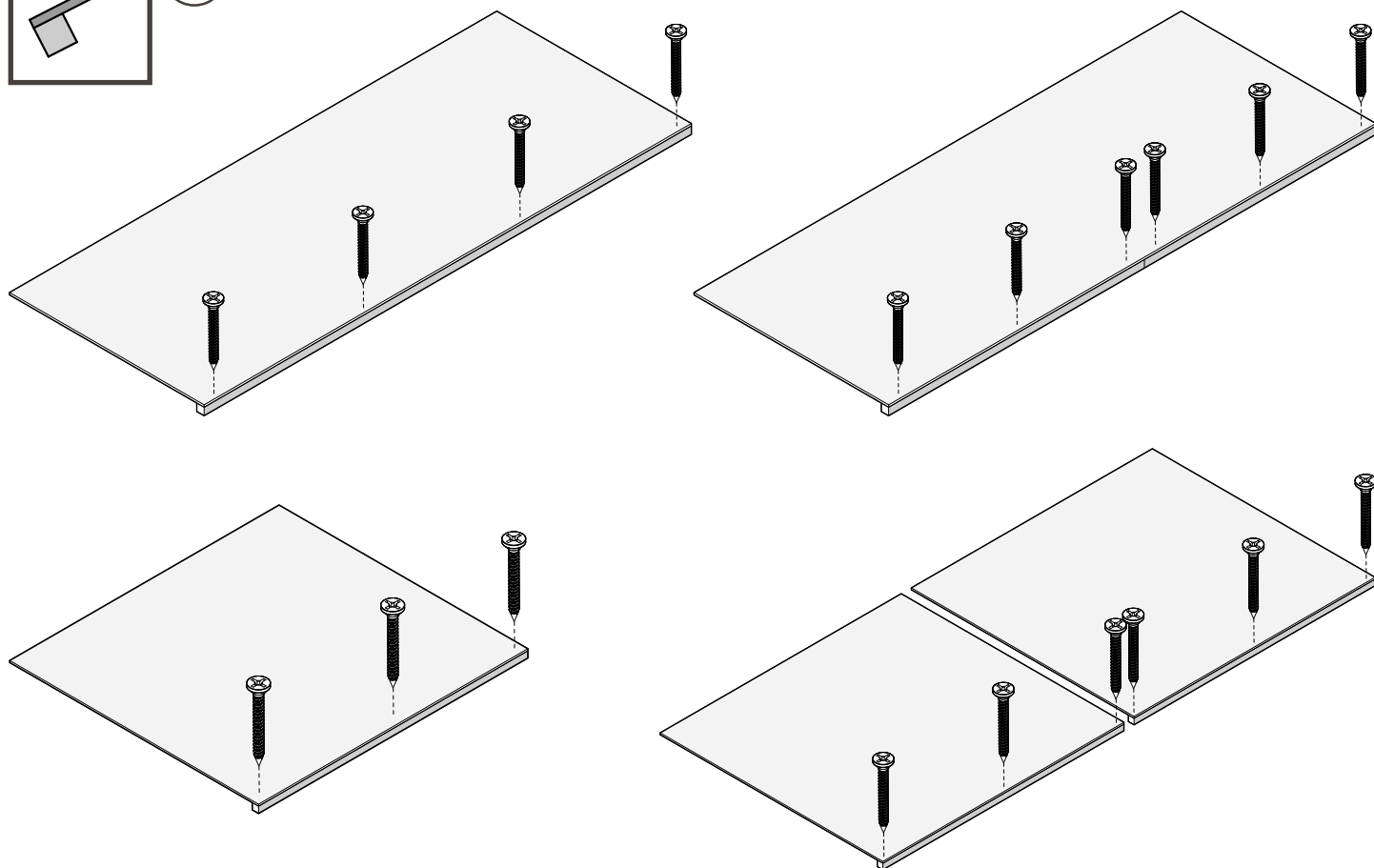


# STEP 1: OSB ROOF SHEETS & ROOF STRIPS

APEX & REVERSE APEX SHEDS

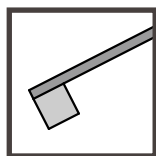


30MM  
SCREWS

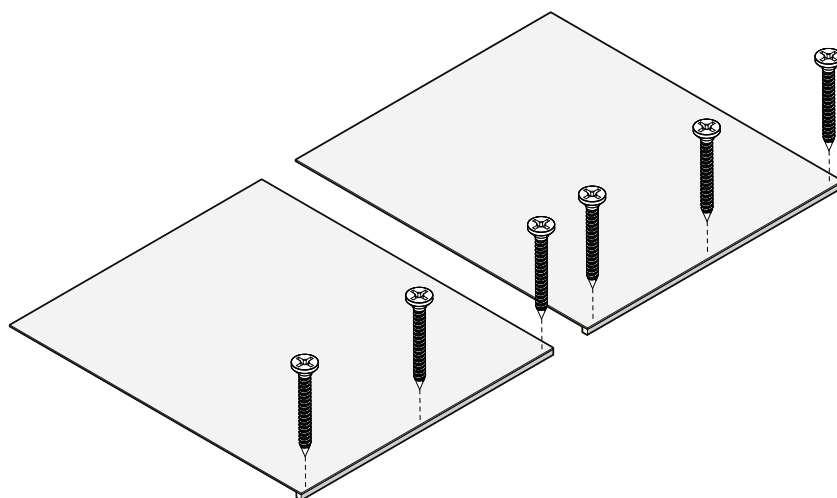


## OSB ROOF SHEETS & ROOF STRIPS

**Position and secure the Roof Strip(s)** along the edge of each OSB Roof Sheet as shown above. The Roof Strip(s) will be the same length as the OSB sheet edge. Ensure the Roof Strips are flush to the OSB Roof Sheet edge. Repeat the process for multiple sheets.

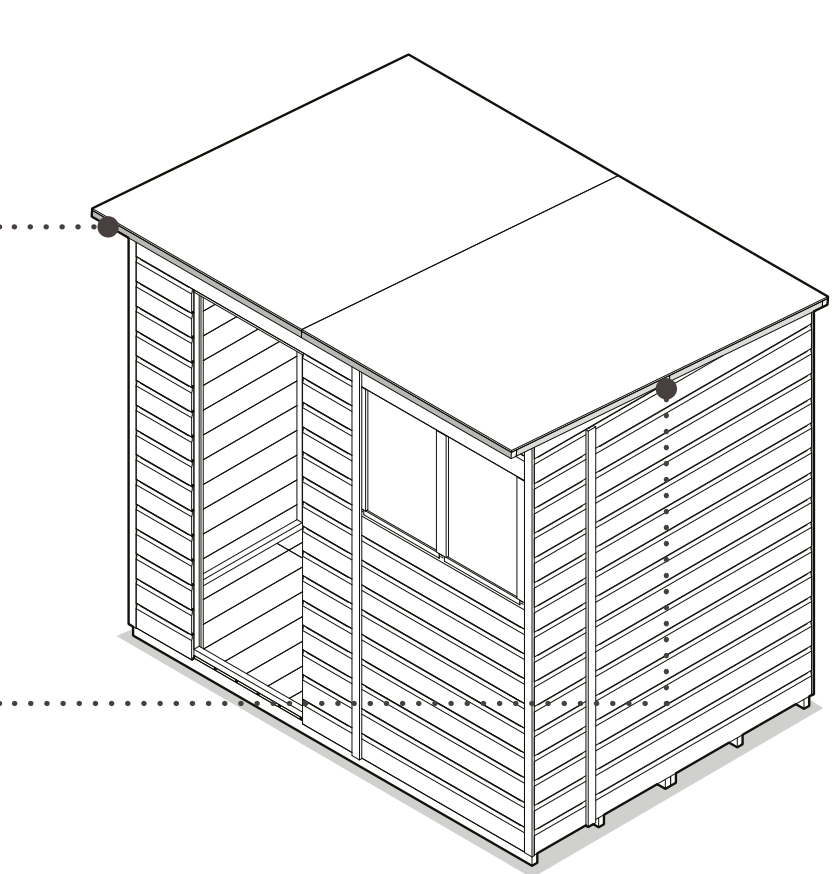
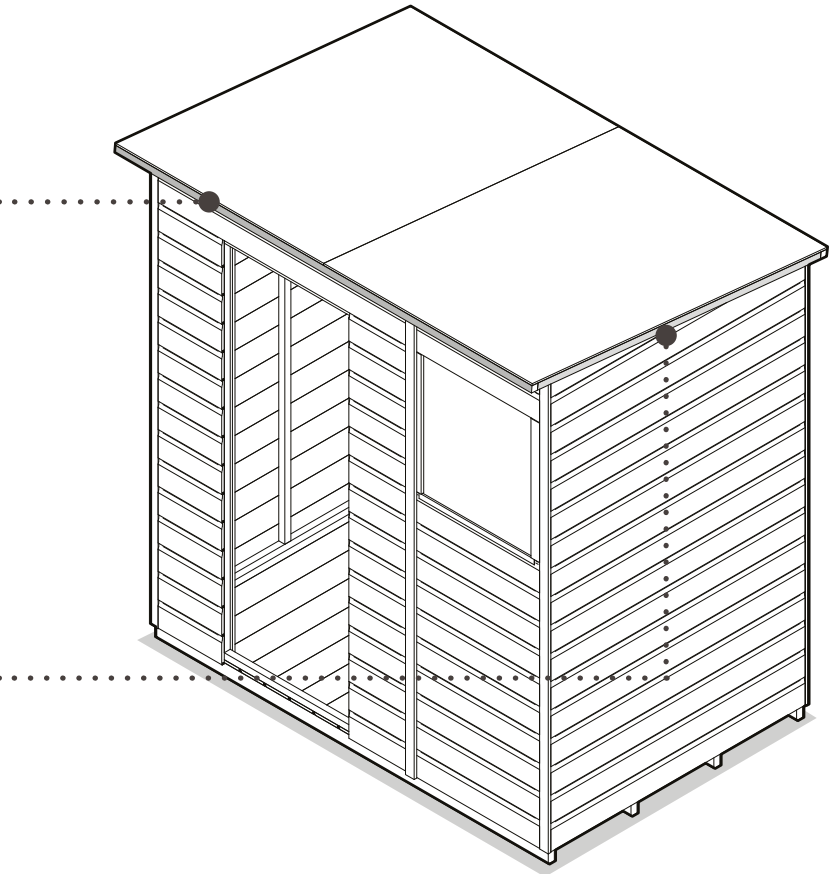
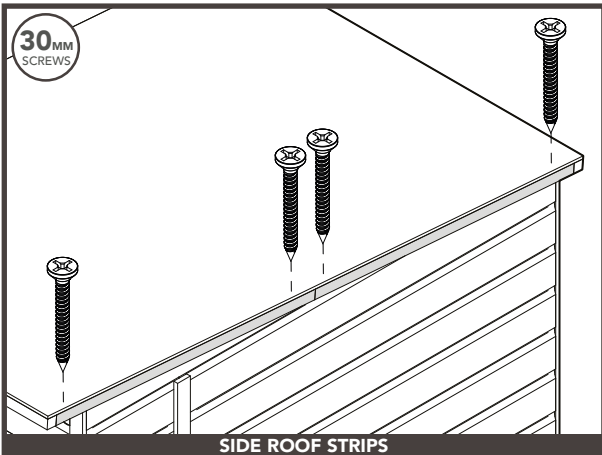
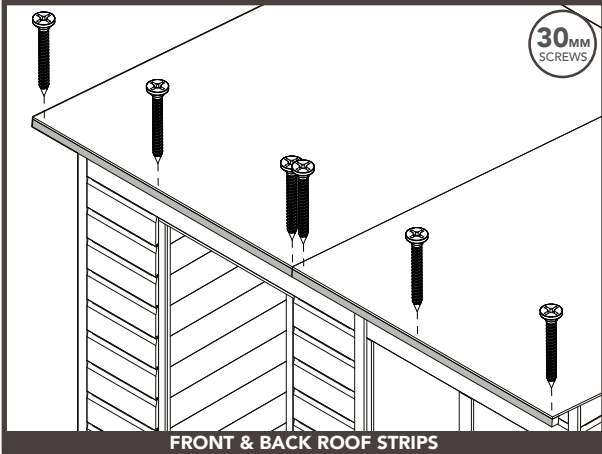
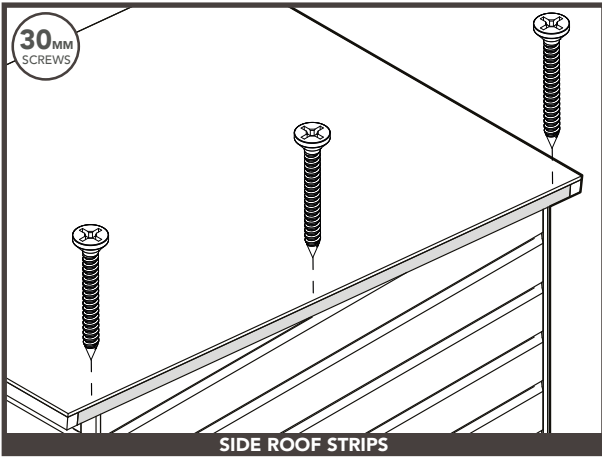
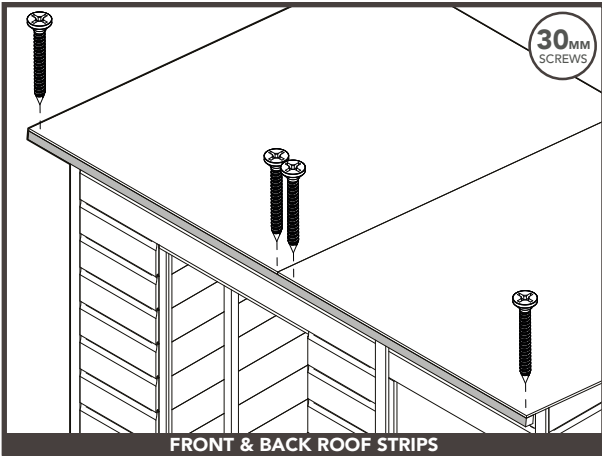


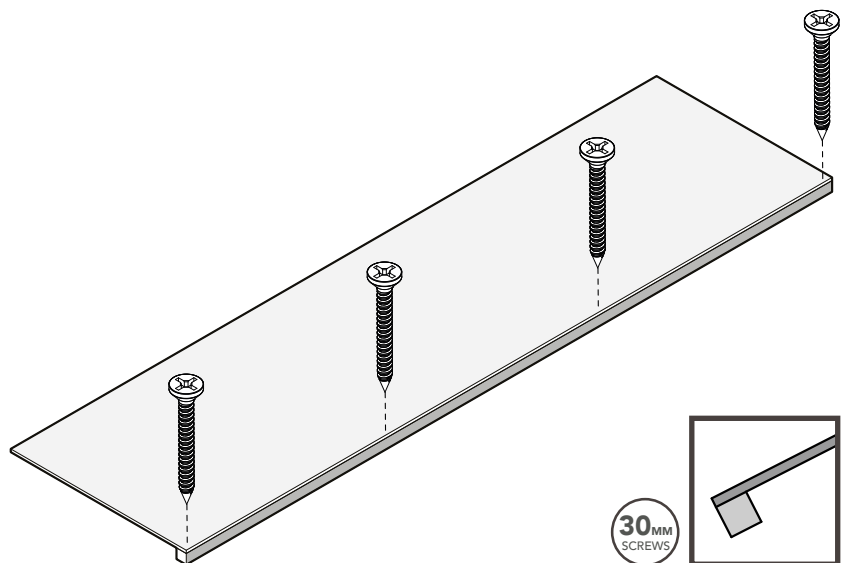
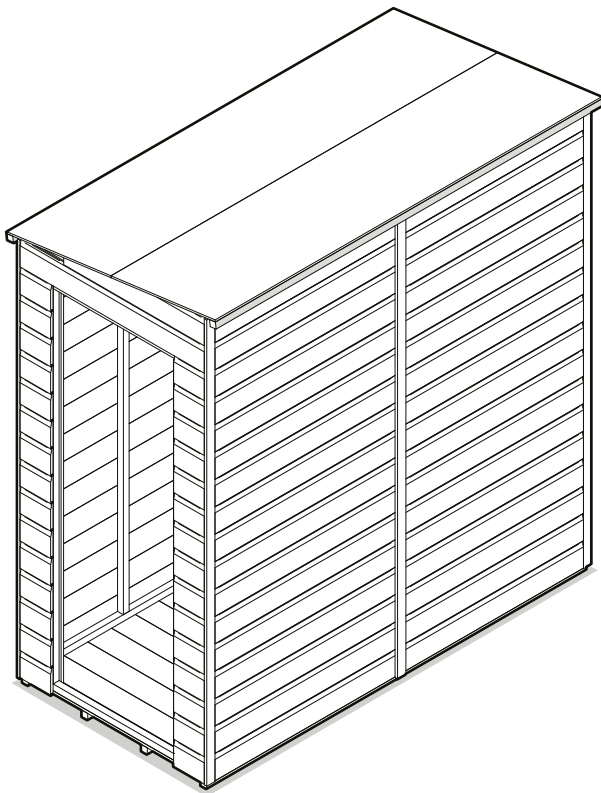
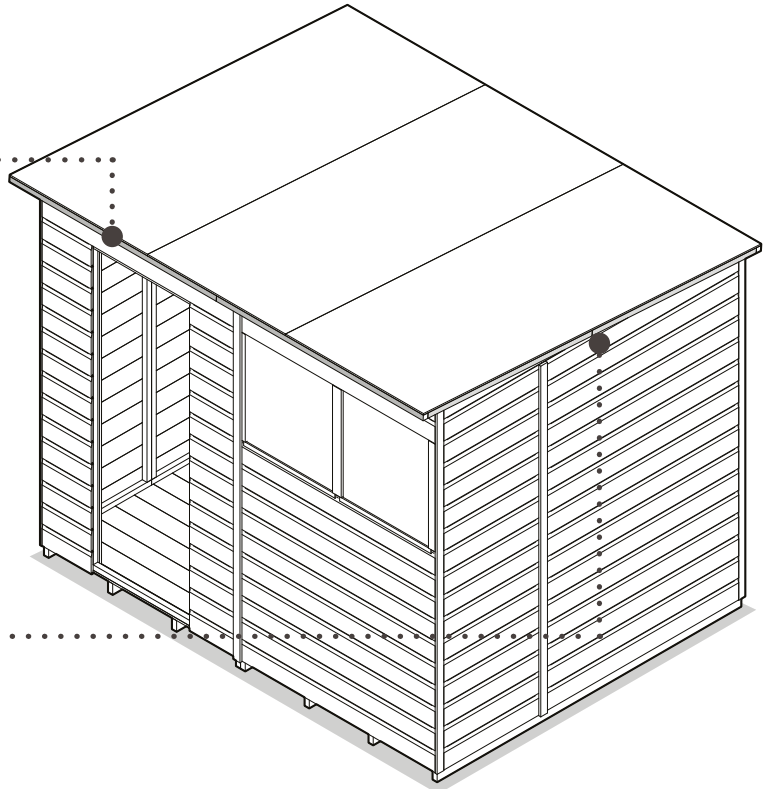
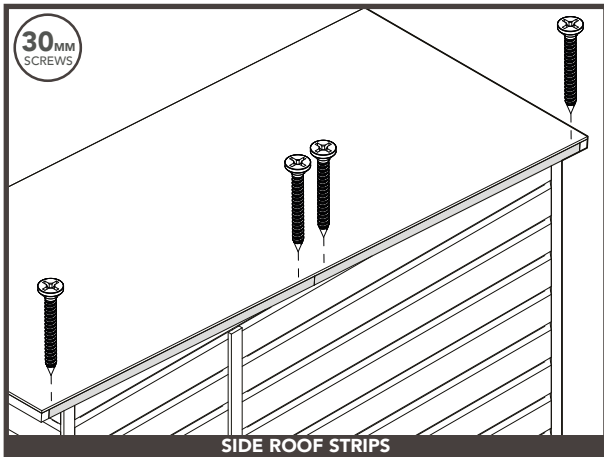
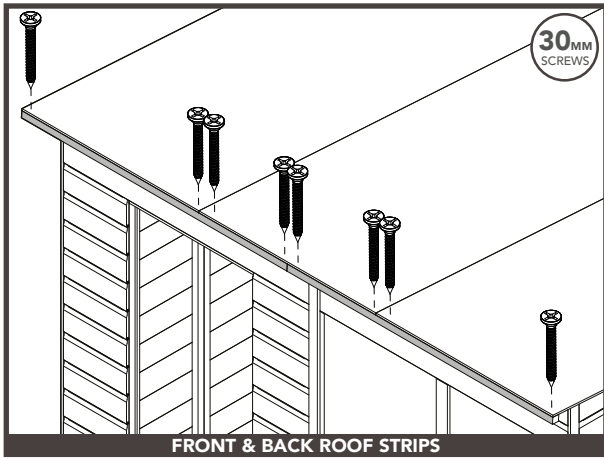
30MM  
SCREWS



## 10x15 & 10x20 OSB ROOF SHEETS & ROOF STRIPS

The 10x15 and 10x20 workshops have two different OSB Roof Sheet sizes and Roof Strips sizes. The outer OSB Roof Sheets and Roof Strips are 1491mm. The Middle OSB Roof Sheets and Roof Strips are 1475mm.



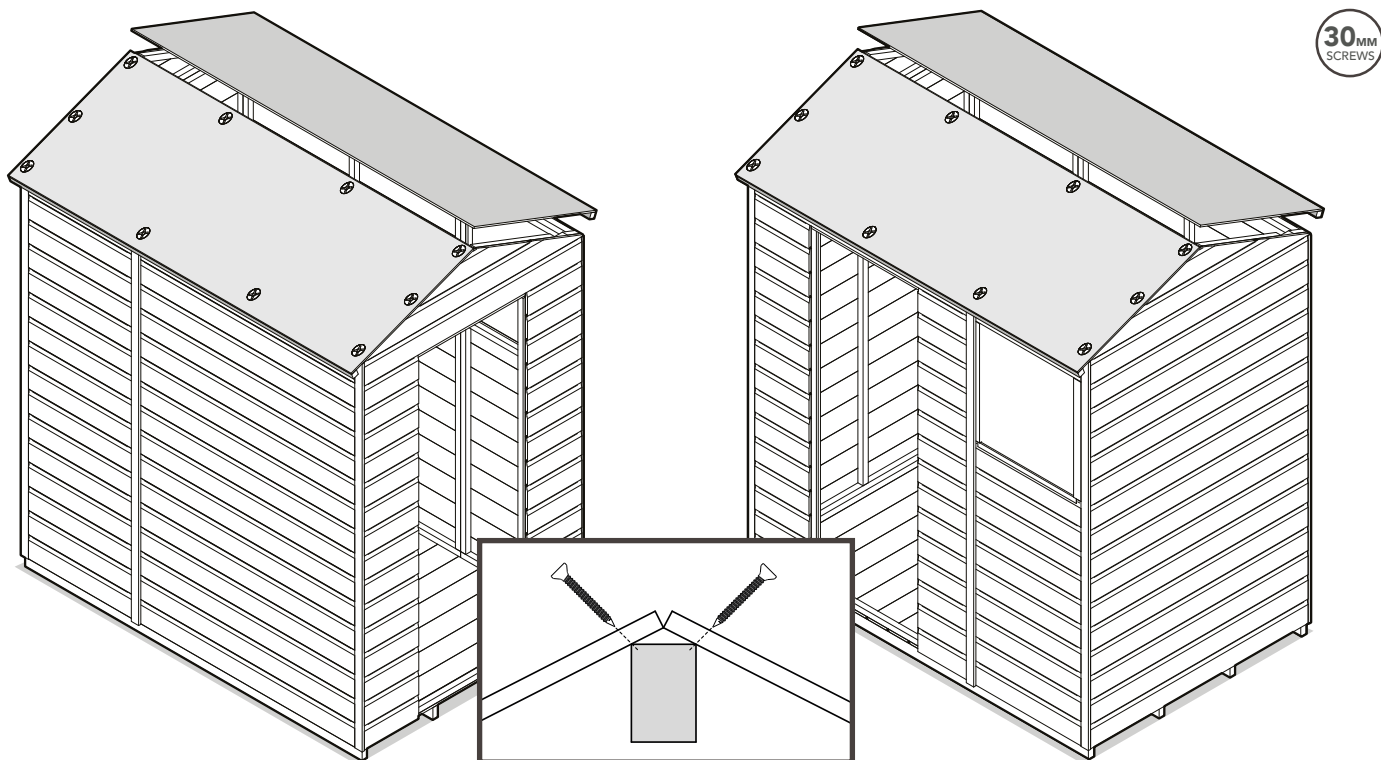


### PENT ROOF STRIPS

**Position your OSB Roof Sheets onto your shed. Position and secure your Front and Back Roof Strips to the OSB Roof Sheets.** Ensure they are flush along the edge. **Position and secure your Side Roof Strips to the OSB Roof Sheets as shown above.** These will be in between your Front and Back Roof Strips. Take note of the different assembly options shown above. Add your Roof Strips before securing your OSB Roof Sheets.

# STEP 2: SECURE ROOF SHEETS

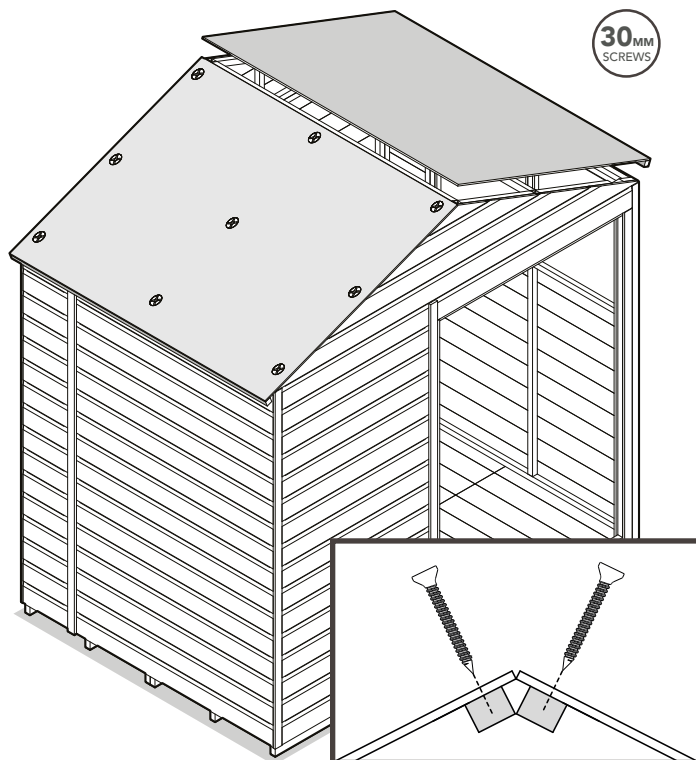
SHEDS WITH A SINGLE RIDGE



## ROOF SHEETS

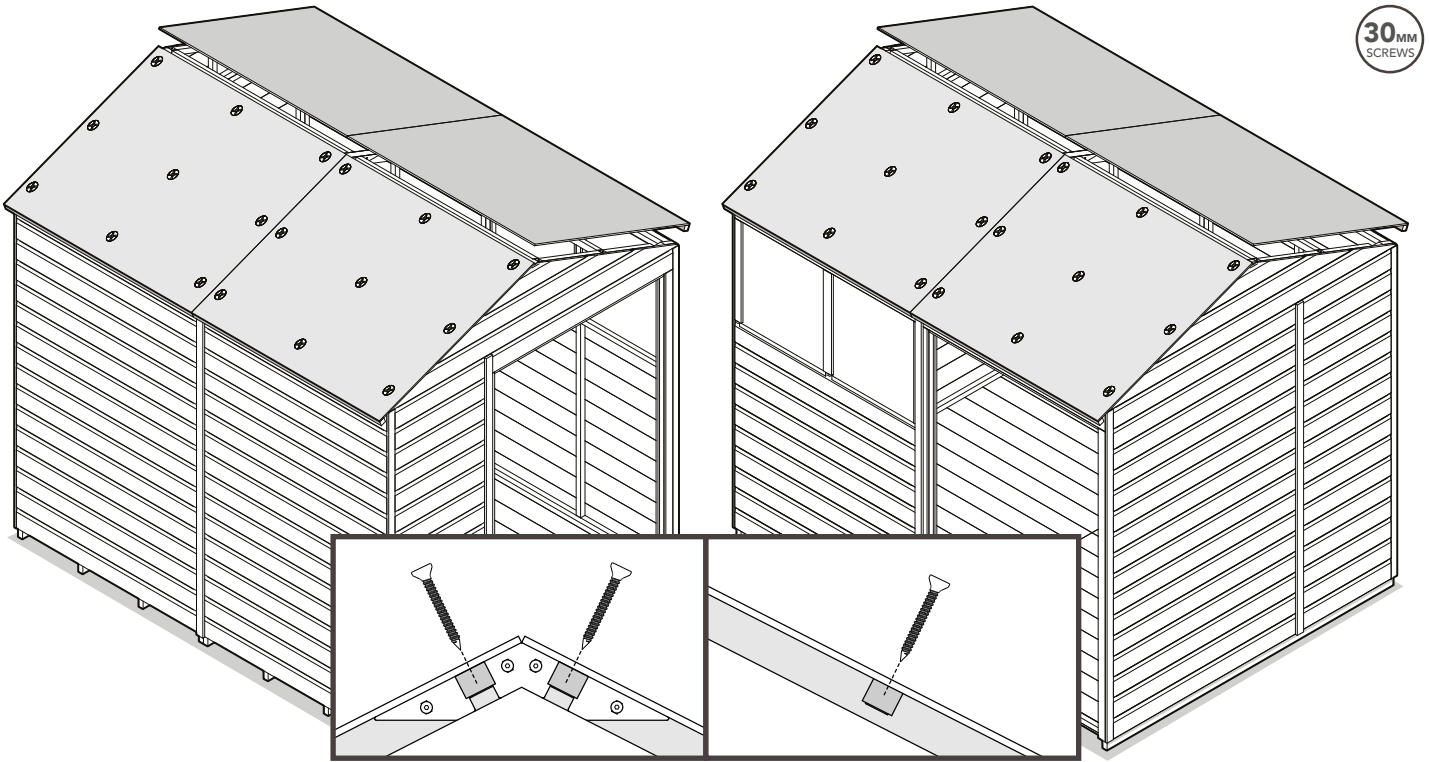
Position and secure the OSB Roof Sheets to the Apex Sections framework, Side Panels framework and the Ridge Beam.

SHEDS WITH ROOF BEAMS



## ROOF SHEETS

Position and secure the OSB Roof Sheets to the Apex Sections framework, Side Panels framework and the Roof Beams.

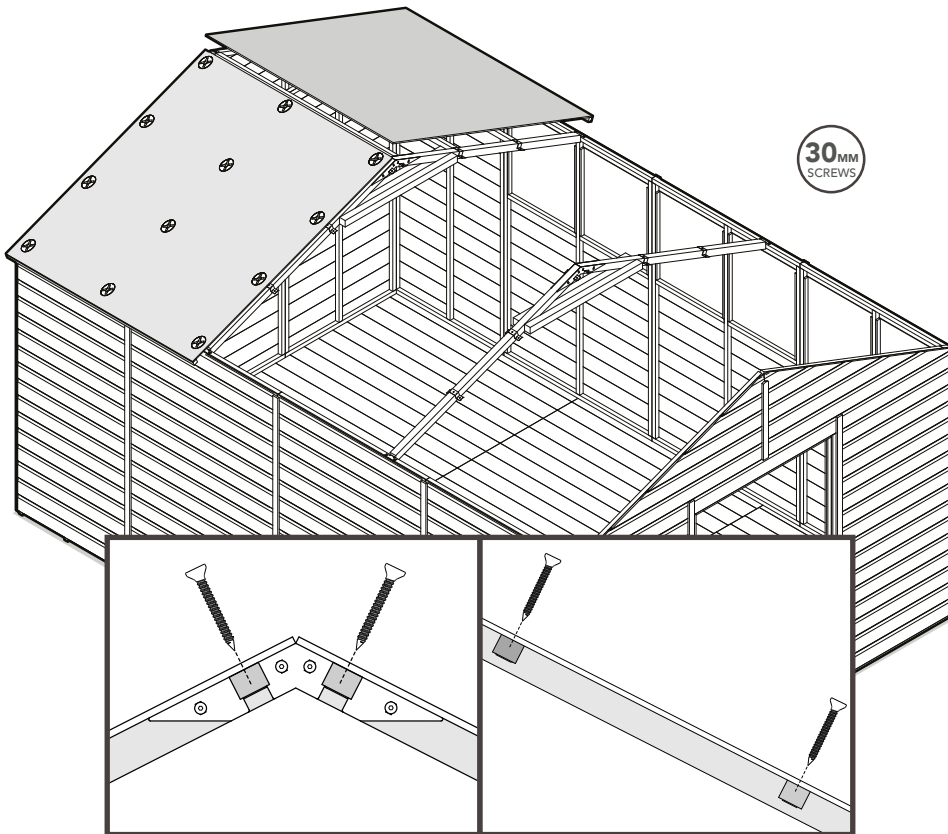


### ROOF SHEETS

Position and secure the OSB Roof Sheets to the Apex Sections framework, Side Panels framework, Truss, and Roof Beams. Ensure each OSB Roof Sheet sits half way onto the Truss.

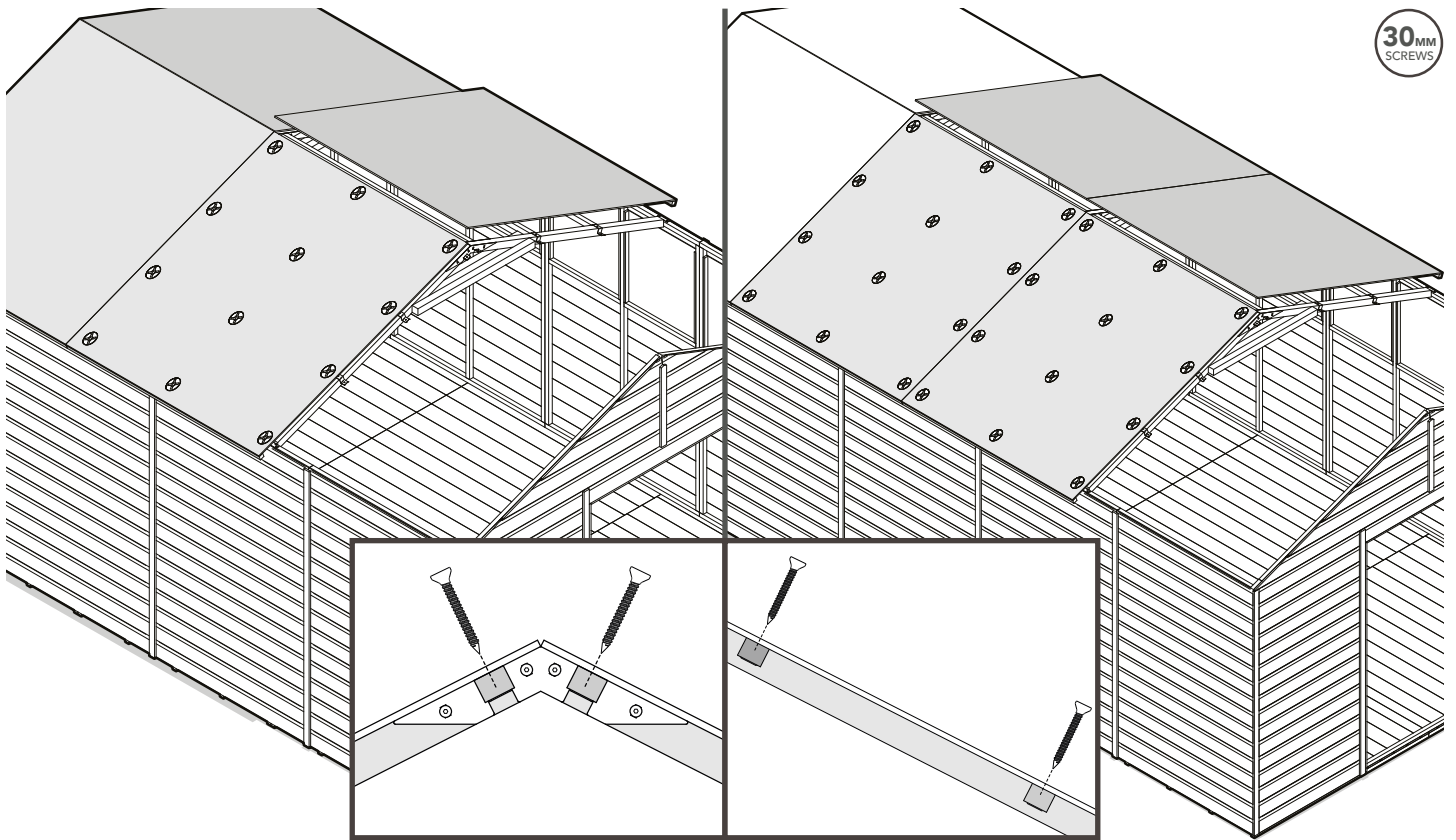
### WORKSHOPS WITH MULTIPLE TRUSSES

Assemble your OSB roof sheets with the roof structure fixing packs (6) for the 10x15 and 10x20 workshops.



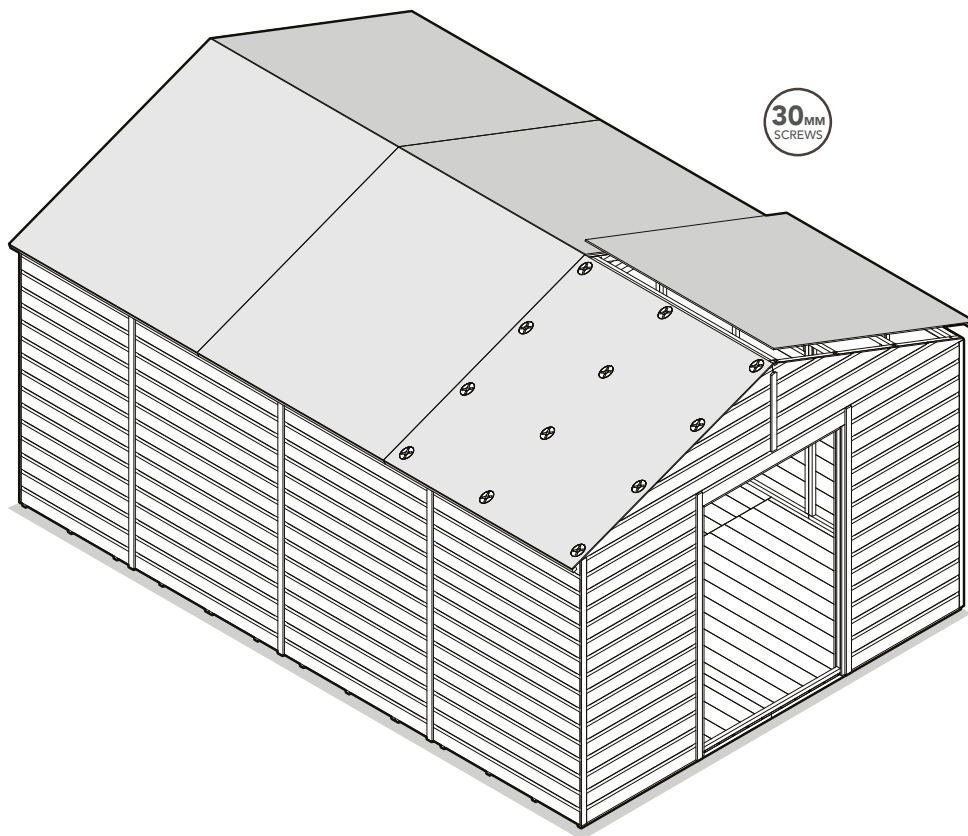
### OUTER ROOF SHEETS

Position and secure the Outer OSB Roof Sheets to the Apex Section framework, Side Panels framework, Truss, and Outer Roof Beams. The Outer Roof Sheets are 1491mm. Install the Outer Roof Sheets with the Roof Beams assembly. Ensure each OSB Roof Sheet sits half way onto the Truss.



### MIDDLE ROOF SHEETS

**Position and secure the Middle OSB Roof Sheets** to the Side Panels framework, Trusses, and Middle Roof Beams. The Middle Roof Sheets are 1475mm. Install the Middle Roof Sheets with the Middle Roof Beams assembly. Ensure each OSB Roof Sheet sits half way onto the Truss.



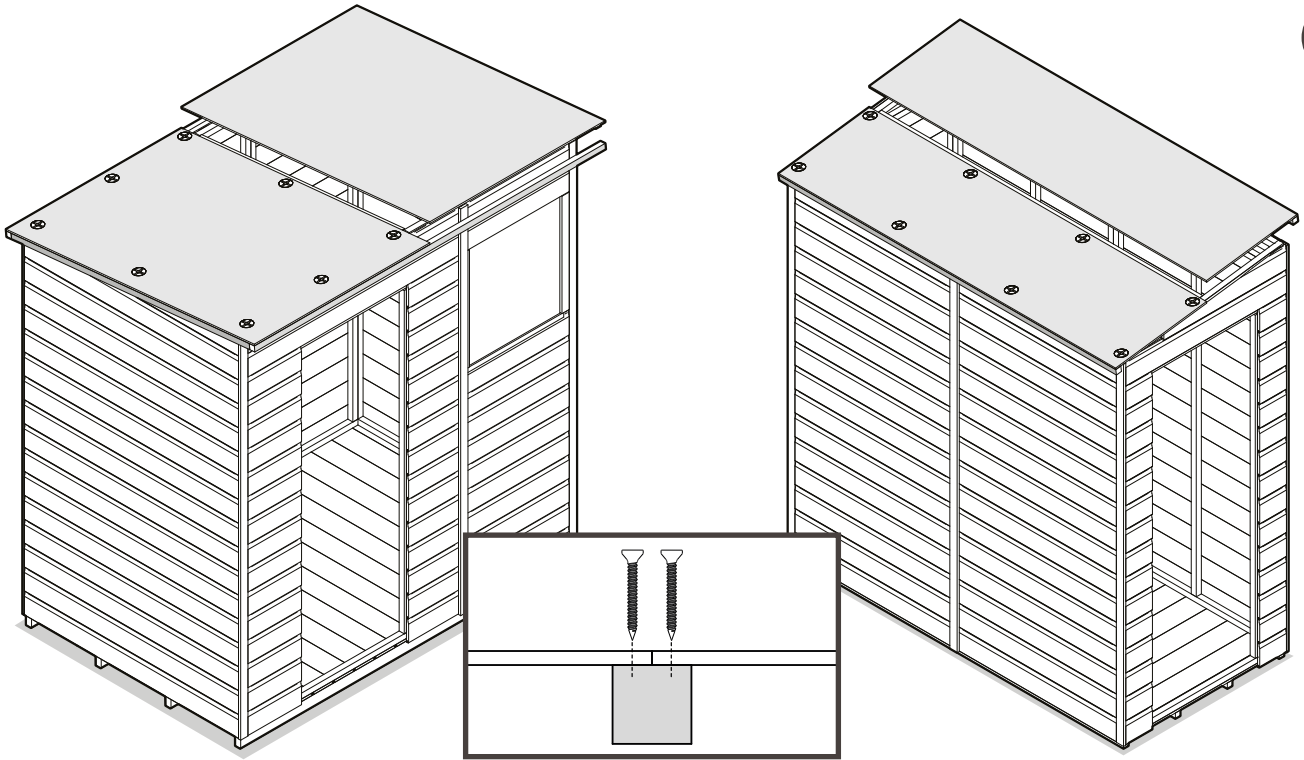
### OUTER ROOF SHEETS

**Position and secure the Outer OSB Roof Sheets** to the Apex Section framework, Side Panels framework, Truss, and Outer Roof Beams. The Outer Roof Sheets are 1491mm. Install the Outer Roof Sheets with the Roof Beams assembly. Ensure each OSB Roof Sheet sits half way onto the Truss.



## PENT SHEDS WITH SINGLE ROOF BEAM

30MM  
SCREWS

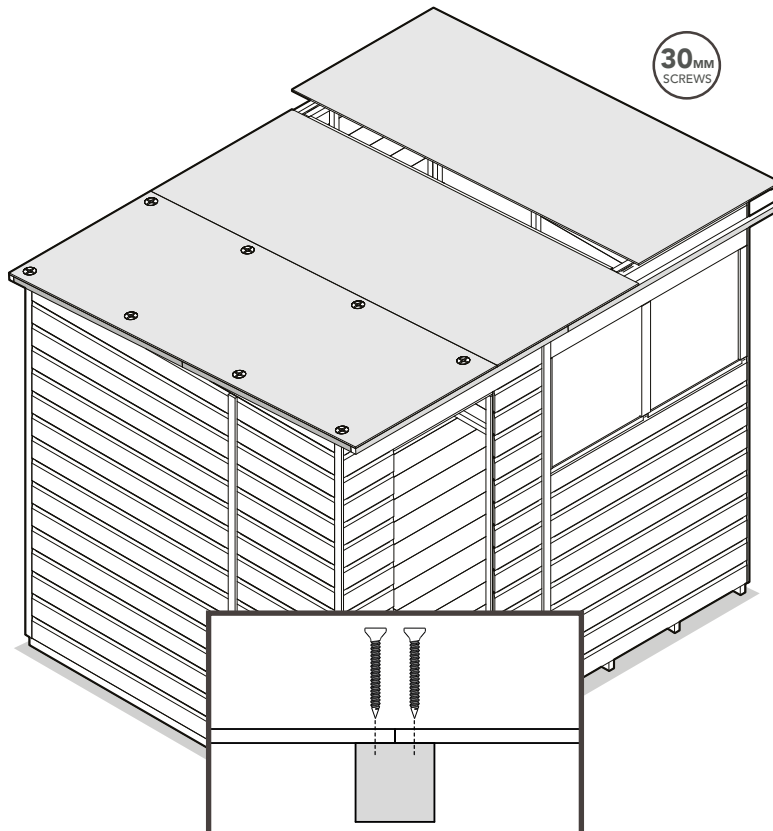


### ROOF SHEETS

**Position and secure the OSB Roof Sheets** to the Pent Sections framework, Side Panels framework and the Roof Beam. Ensure each OSB Roof Sheet sits half way onto the Roof Beam. The overhang at the back should be approximately 45-50mm.

## PENT SHEDS WITH TWO ROOF BEAMS

30MM  
SCREWS

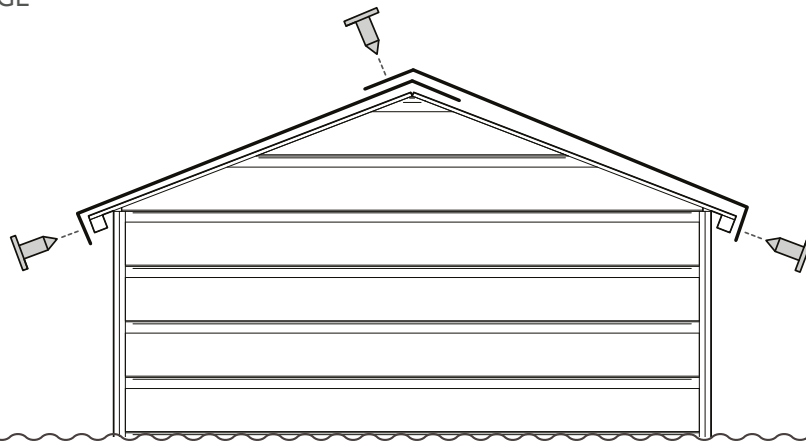


### ROOF SHEETS

**Position and secure the OSB Roof Sheets** to the Pent Sections framework, Side Panels framework and the Roof Beams. Ensure each OSB Roof Sheet sits half way onto each Roof Beam. The overhang at the back should be approximately 45-50mm.

# STEP 3: FELT

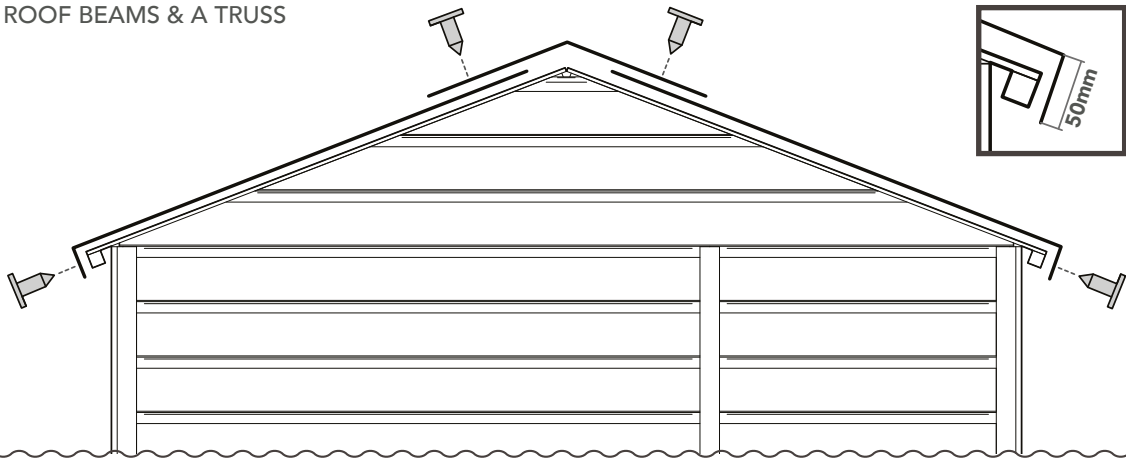
SHEDS WITH A SINGLE RIDGE



## 2 x FELT PIECES

Measure out 2 equal lengths, cut with a sharp knife, overlap them on top, around the edges and fold the corners; tack to keep secure. Ensure there is a 50mm overhang at the bottom and work from the bottom to the top. Hammer the tacks into the felt at 150mm intervals.

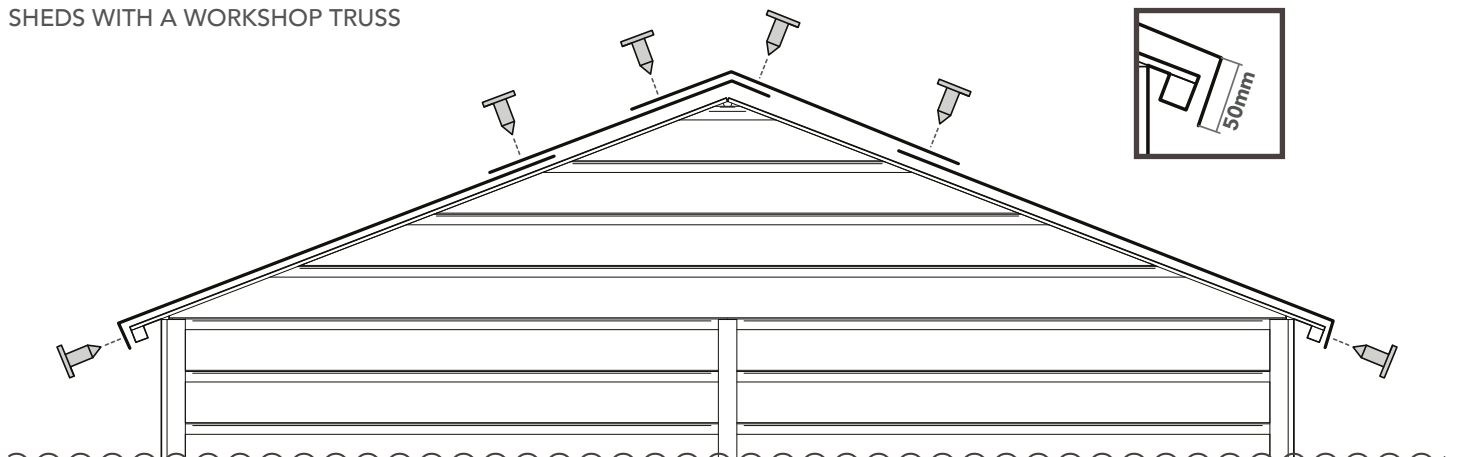
SHEDS WITH ROOF BEAMS & A TRUSS



## 3 x FELT PIECES

Measure out 3 equal lengths, cut with a sharp knife, overlap them on top, around the edges and fold the corners; tack to keep secure. Ensure there is a 50mm overhang at the bottom and work from the bottom to the top. Hammer the tacks into the felt at 150mm intervals.

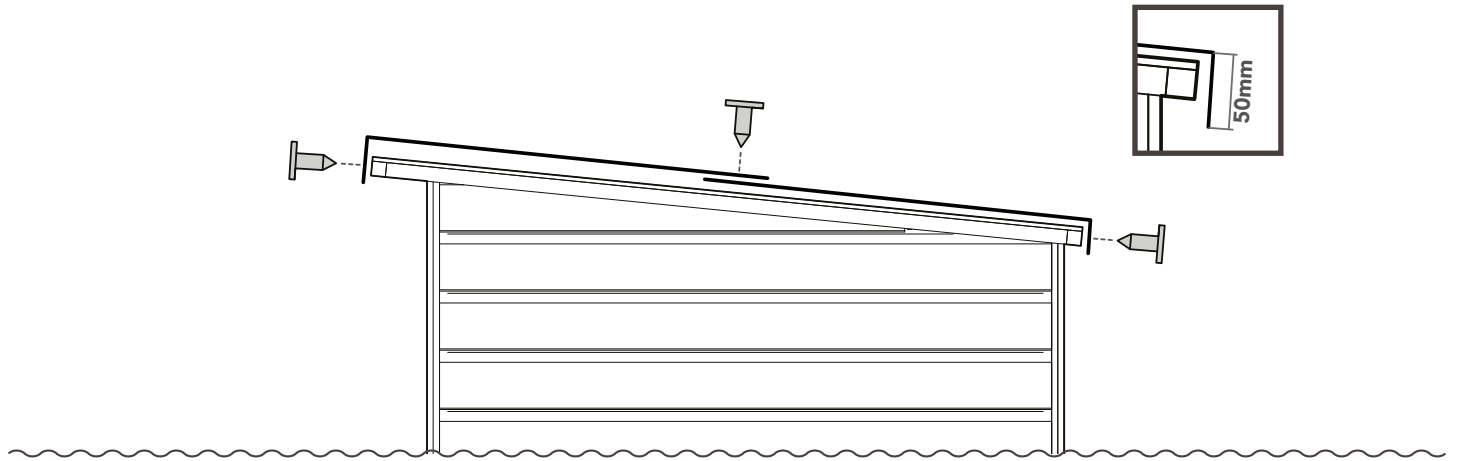
SHEDS WITH A WORKSHOP TRUSS



## 4 x FELT PIECES

Measure out 4 equal lengths, cut with a sharp knife, overlap them on top, around the edges and fold the corners; tack to keep secure. Ensure there is a 50mm overhang at the bottom and work from the bottom to the top. Hammer the tacks into the felt at 150mm intervals.

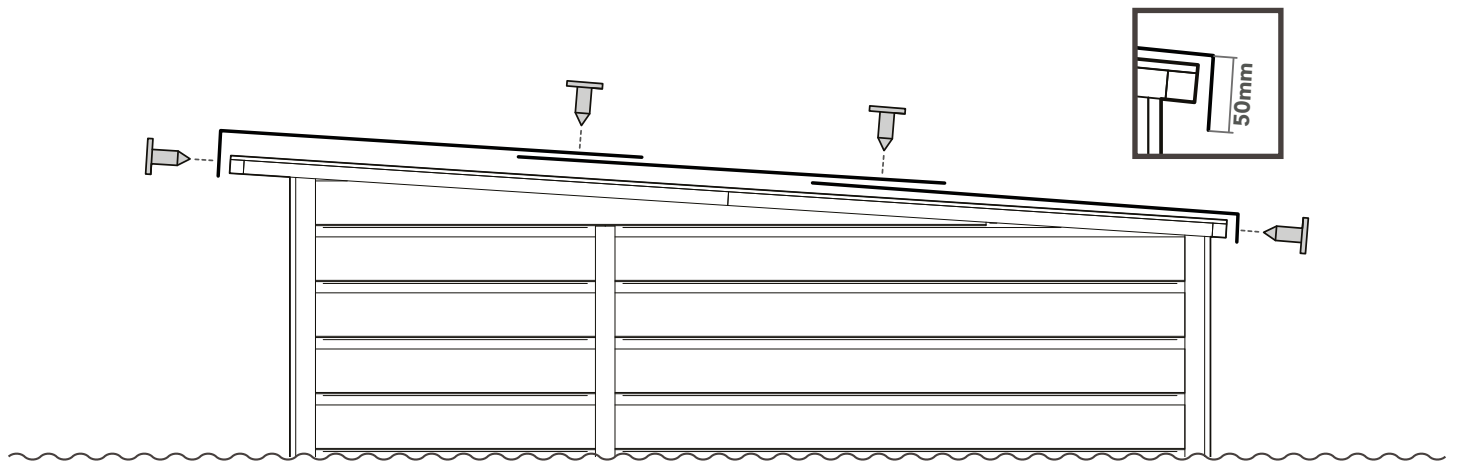
## PENT SHEDS WITH A SINGLE ROOF BEAM



### 2 x FELT PIECES

**Measure out 2 equal lengths, cut with a sharp knife, overlap them on top, around the edges and fold the corners; tack to keep secure.** Ensure there is a 50mm overhang at the bottom and work from the bottom to the top. Hammer the tacks into the felt at 150mm intervals.

## PENT SHEDS WITH TWO ROOF BEAMS



### 3 x FELT PIECES

**Measure out 3 equal lengths, cut with a sharp knife, overlap them on top, around the edges and fold the corners; tack to keep secure.** Ensure there is a 50mm overhang at the bottom and work from the bottom to the top. Hammer the tacks into the felt at 150mm intervals.

# SHED INSTRUCTIONS

## FASCIA'S & FINIALS (8)

### FIXING PACK CONTAINS:

FIXING PACK CODE: SHEDFASCIASFP



4 x **40mm** Screws  
QTY: 16



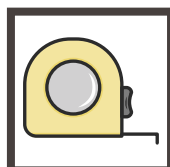
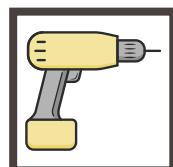
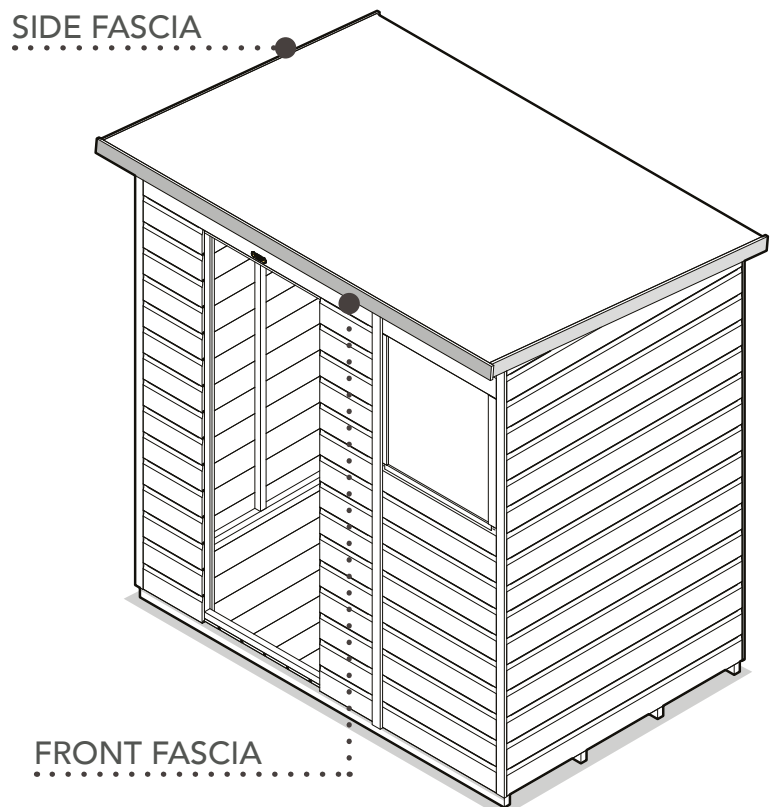
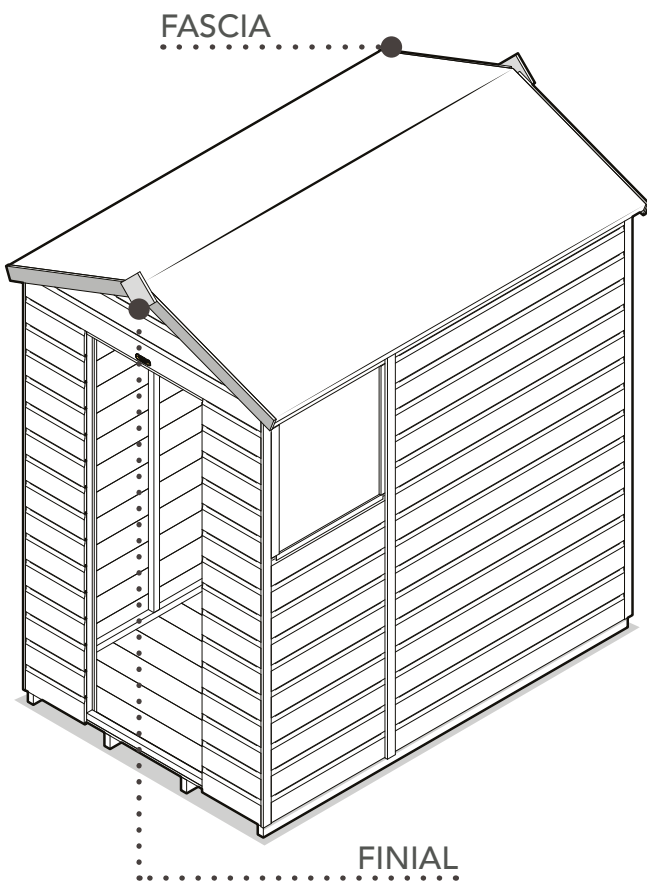
3.5 x **25mm** Screws  
QTY: 4



1.6 x **25mm** Pin  
QTY: 2

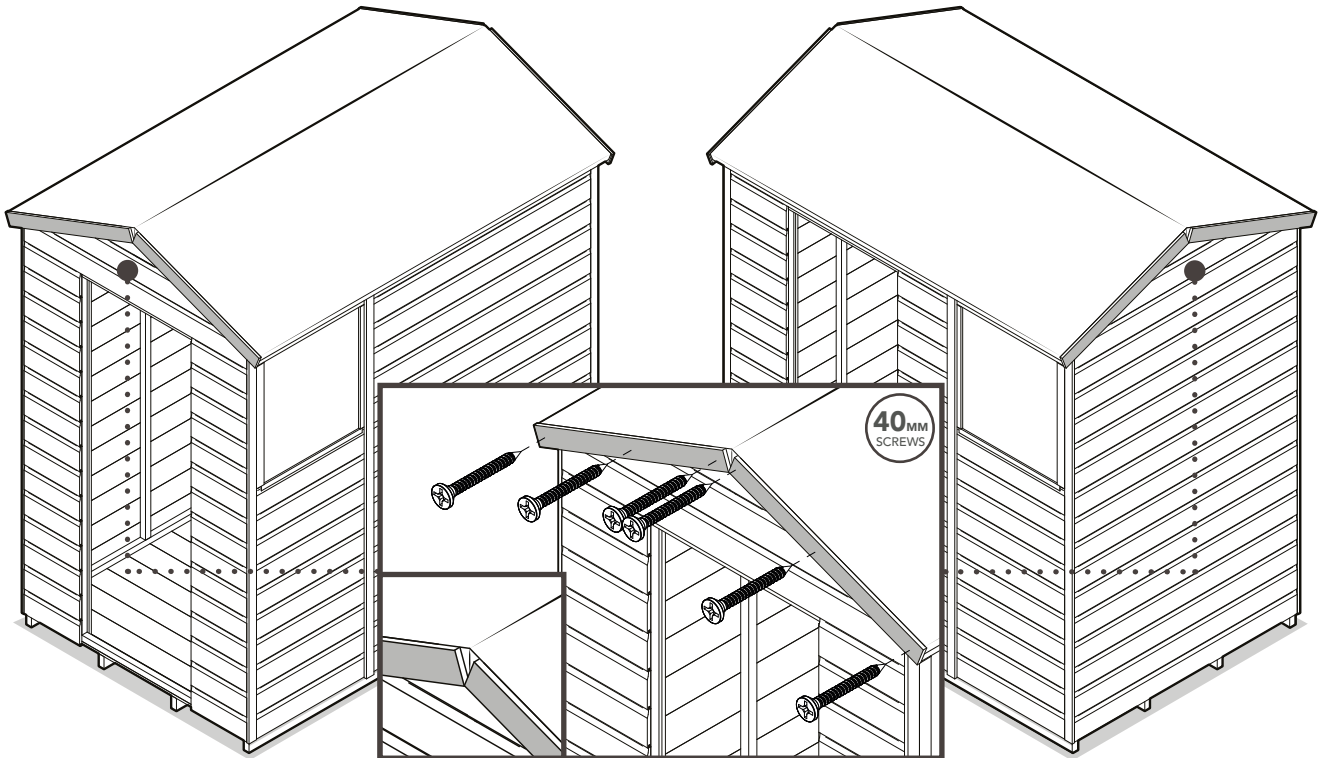


Beckwood **Badge**  
QTY: 1

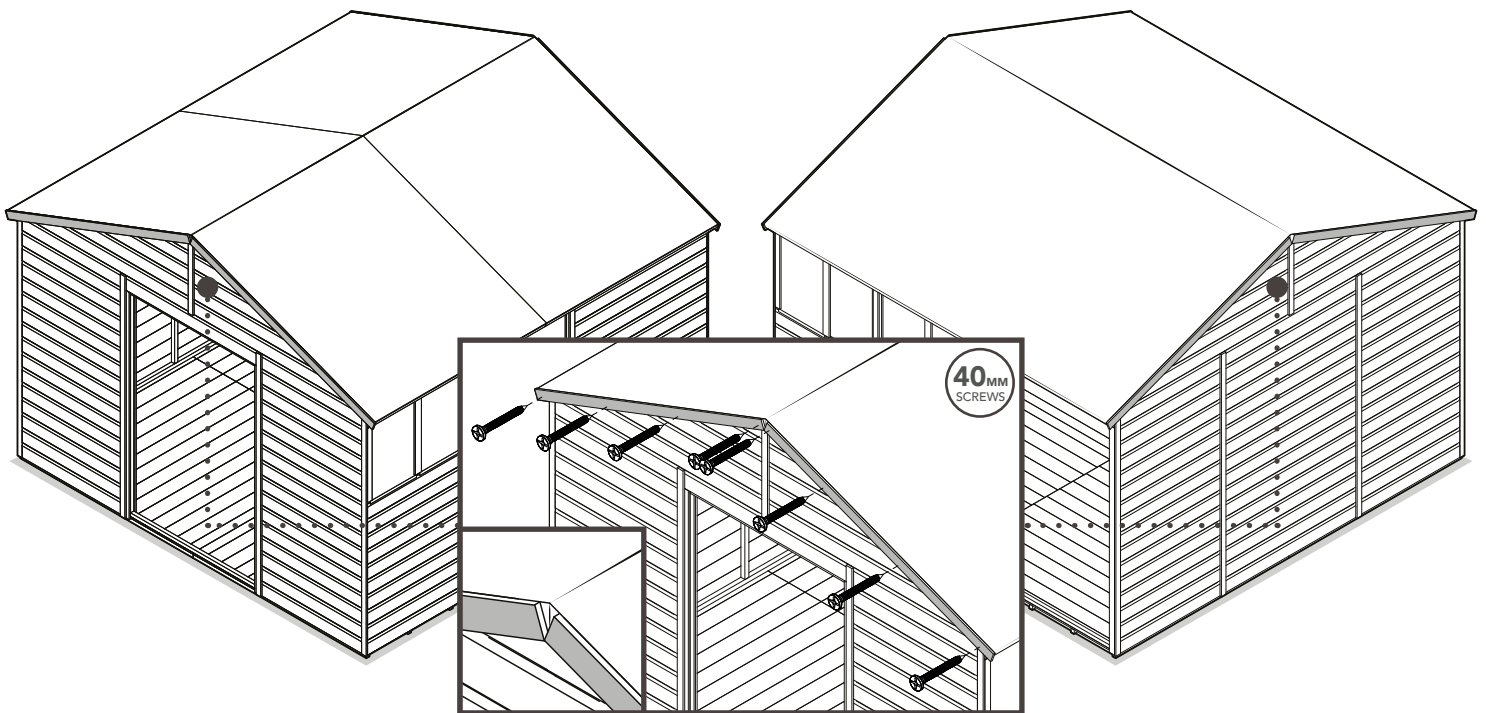


# STEP 1: FASCIA ASSEMBLY

APEX & REVERSE APEX SHEDS



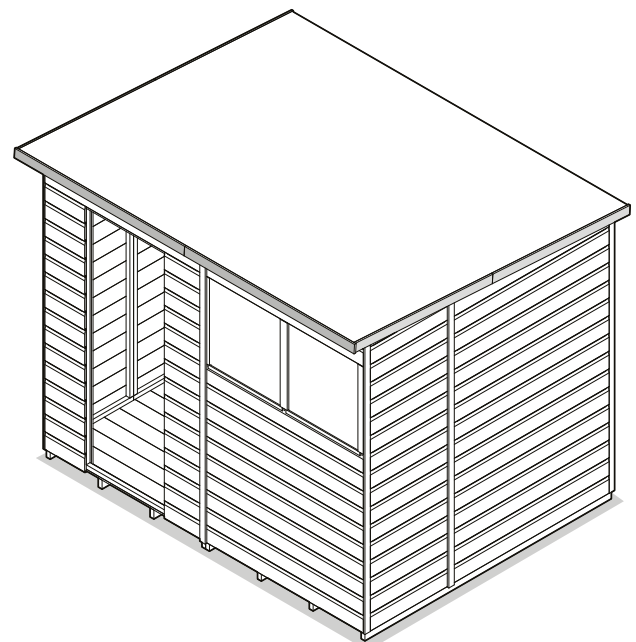
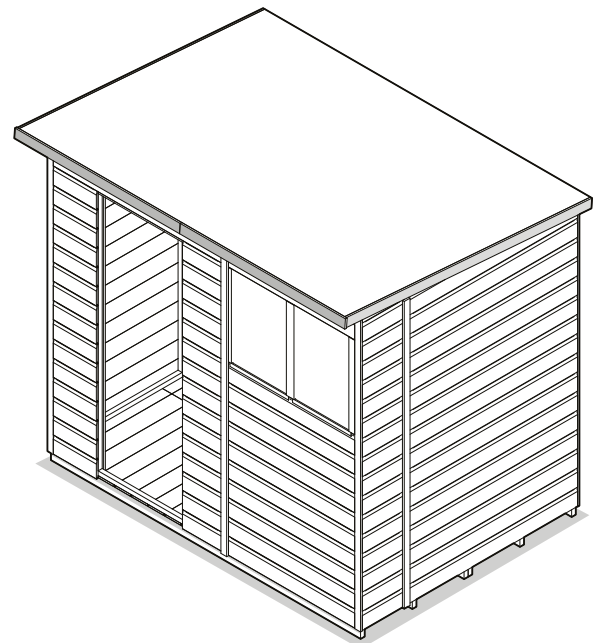
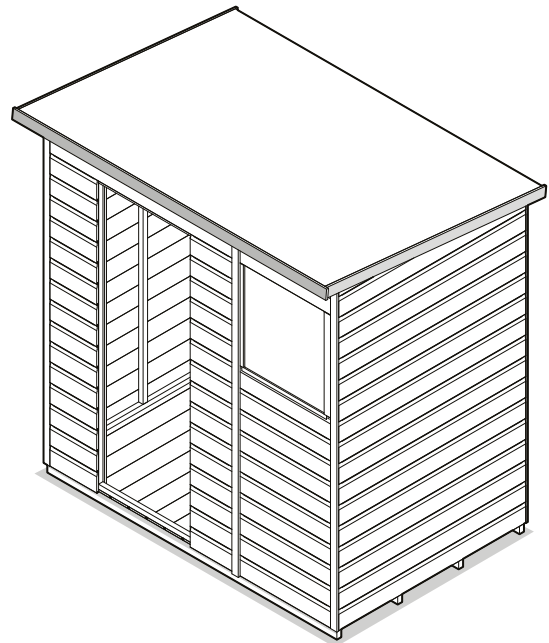
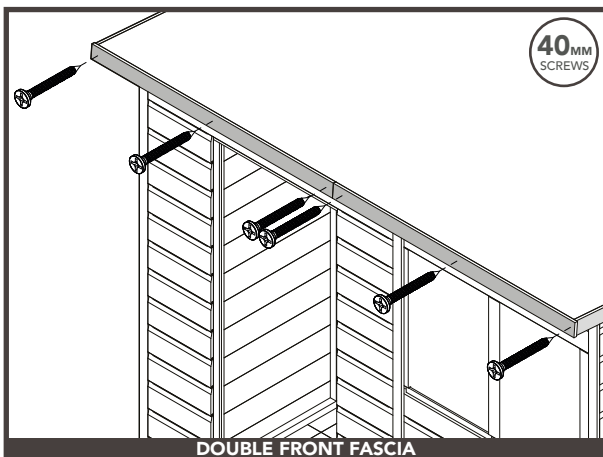
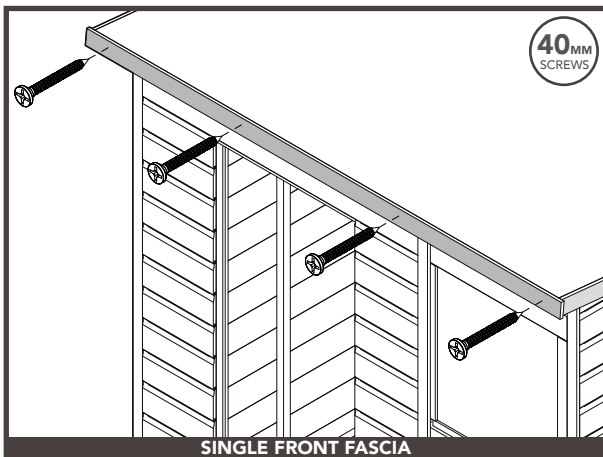
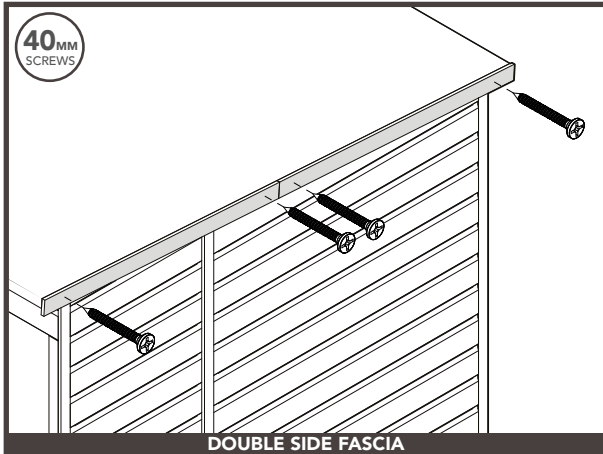
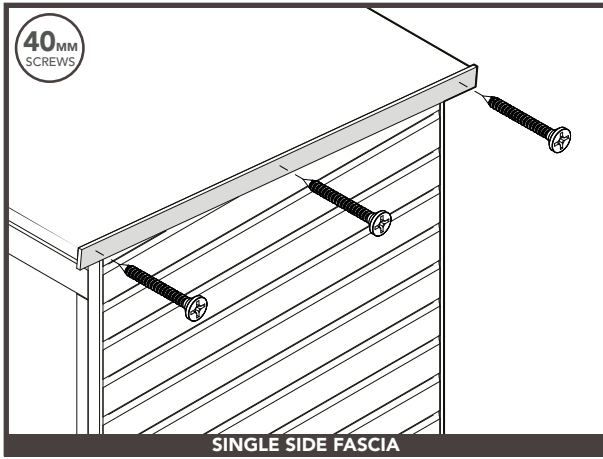
APEX & REVERSE APEX WORKSHOPS



## APEX & REVERSE APEX FASCIA'S

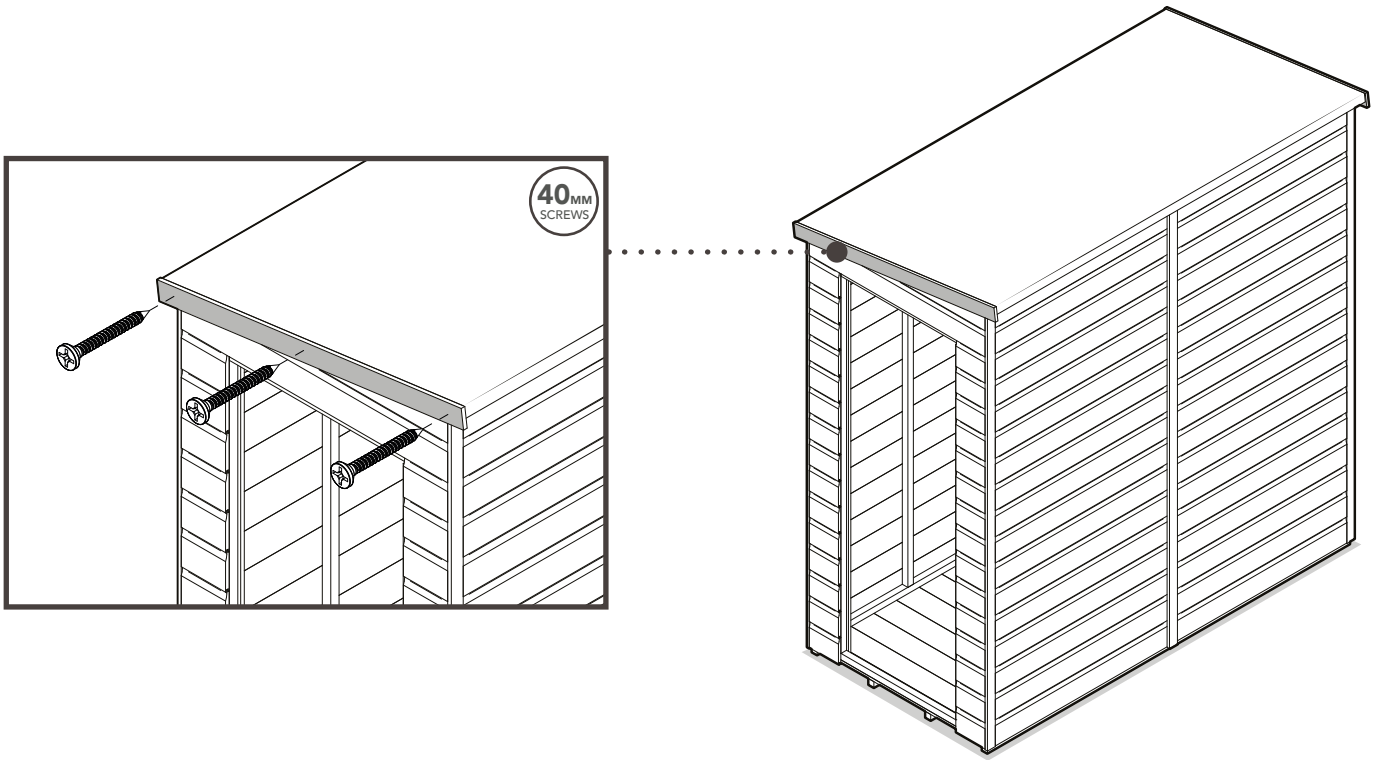
Position and secure the Fascia's to the front and back or the sides of your shed as shown above. The fascia's bottom edge will meet each other when positioning. Ensure to secure the Fascia's into the Apex Sections framework behind.

## PENT SHEDS



## PENT FASCIA'S

Position and secure the Side Fascia/Side Fascia's to the Roof Strips behind. Ensure they are flush to the front of the roof.  
Position and secure the Front Fascia/Front Fascia's to the Roof Strips behind as shown above.

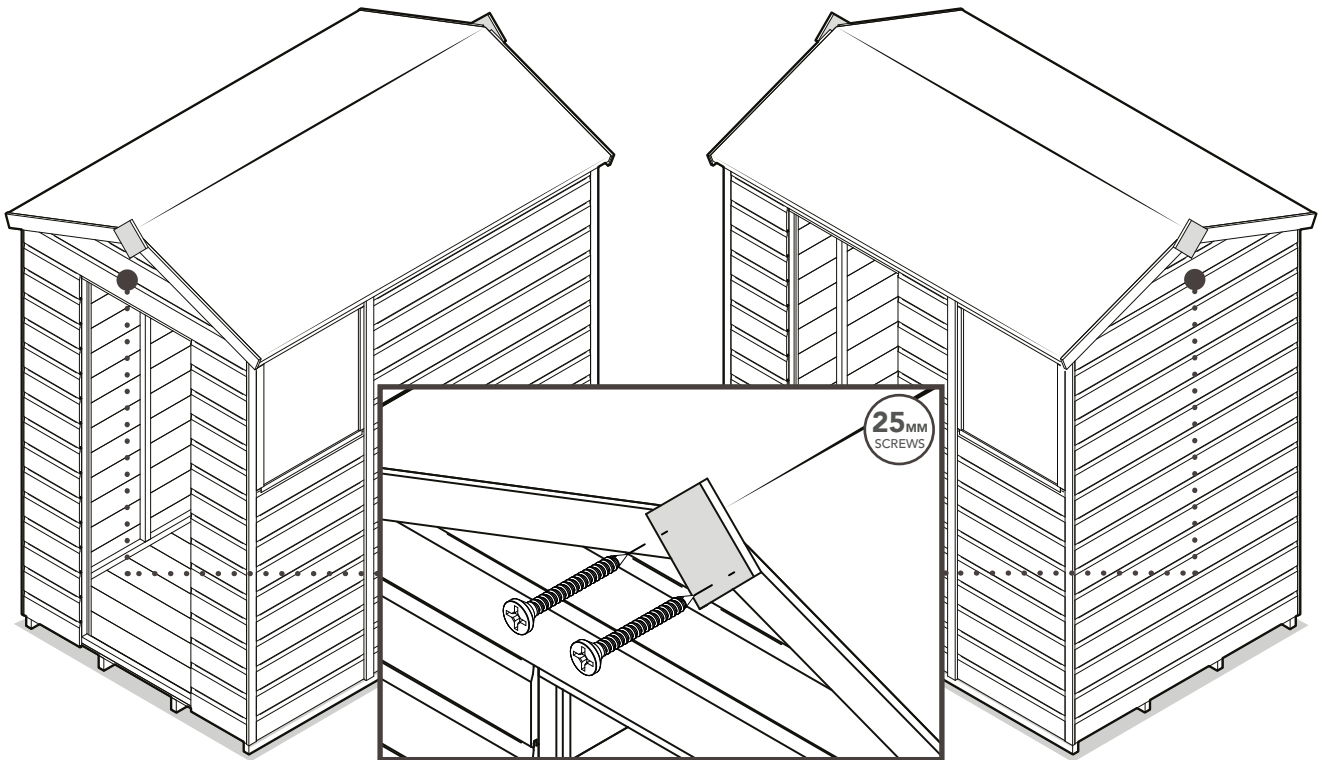


### PENT FASCIA'S

Position and secure the Fascia's into the front and back Pent Sections framework and Roof Strips behind as shown above.

## STEP 2: FINIAL ASSEMBLY

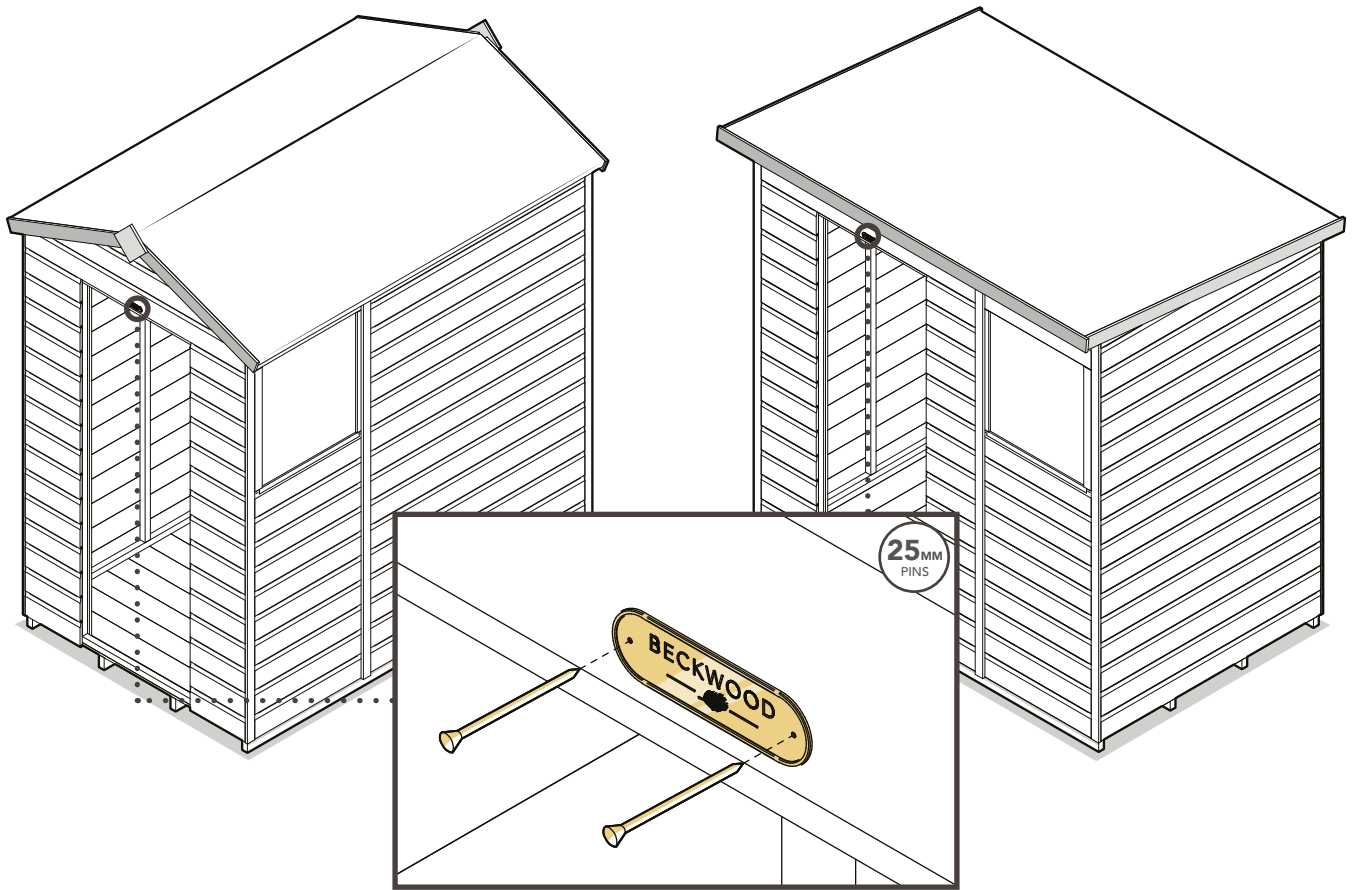
APEX & REVERSE APEX SHEDS ONLY



### FINIALS

Position and secure the Finials to the Fascia's as shown above. Ensure to secure through the Fascia's into the framework behind.

## STEP 3: BADGE



### PIN YOUR BADGE

Position and secure your badge above the door opening, into the Door Panel framework behind with the pins provided.

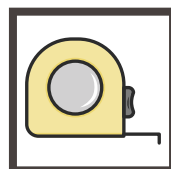
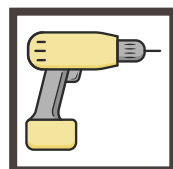
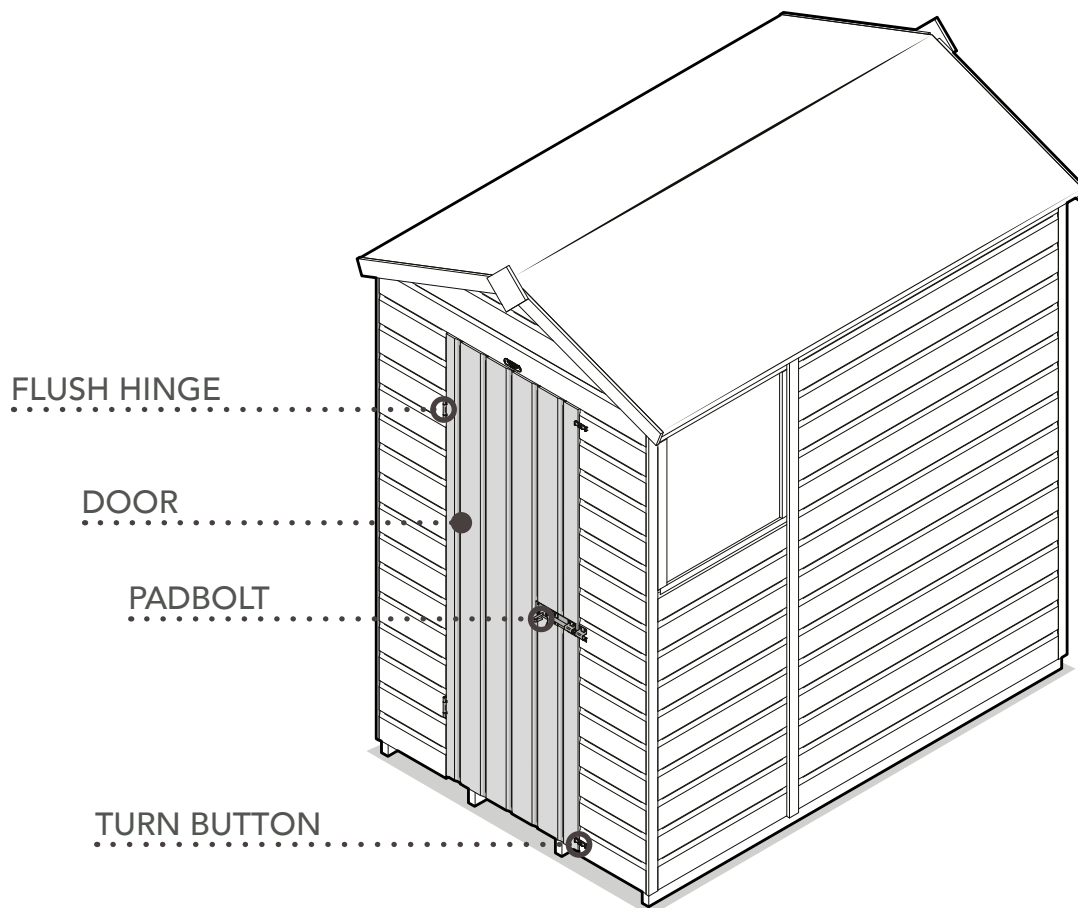
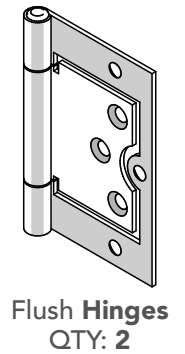
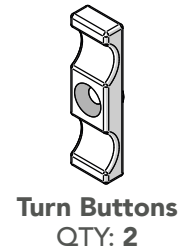
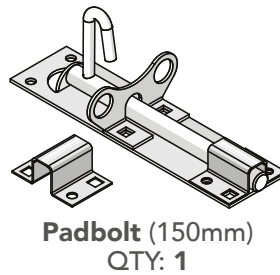


# SHED INSTRUCTIONS

## SINGLE DOOR INSTALLATION (9)

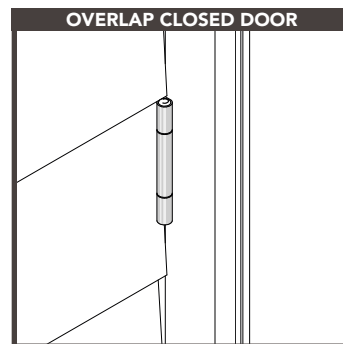
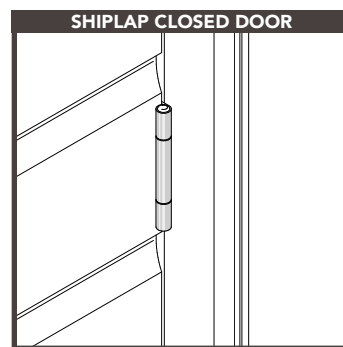
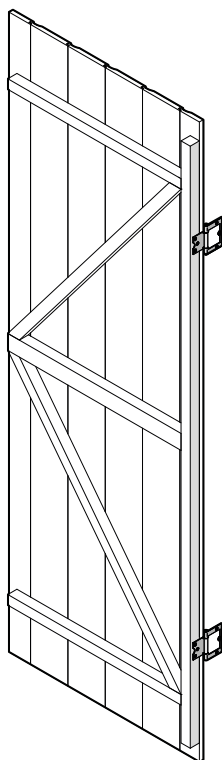
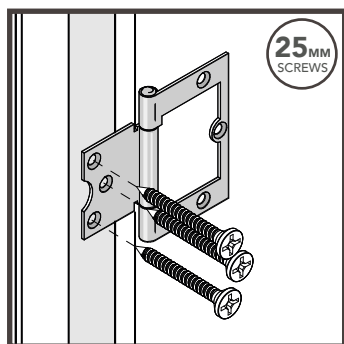
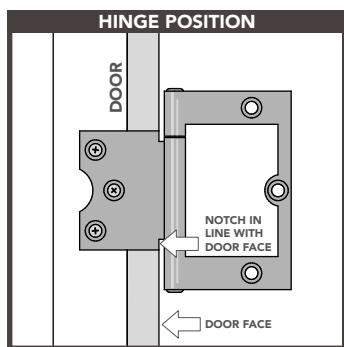
### FIXING PACK CONTAINS:

FIXING PACK CODE: SHEDSINGLEDORFP



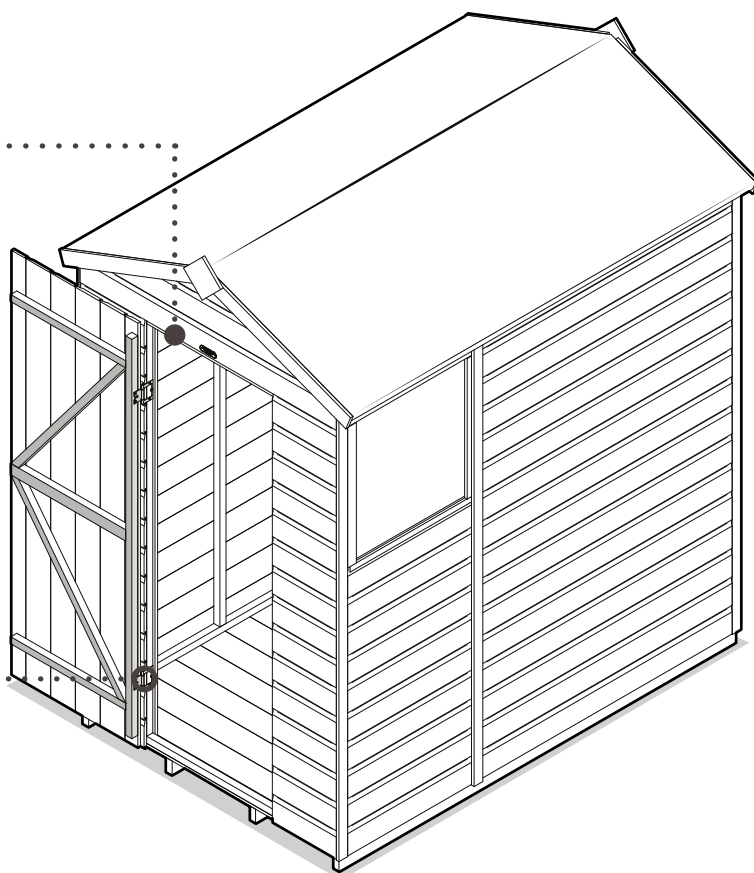
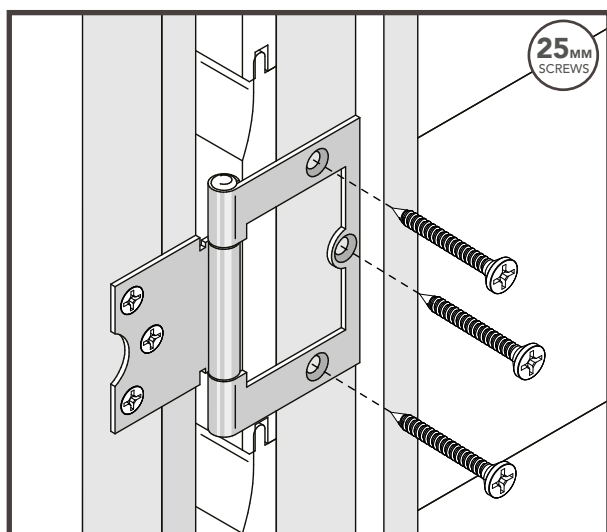
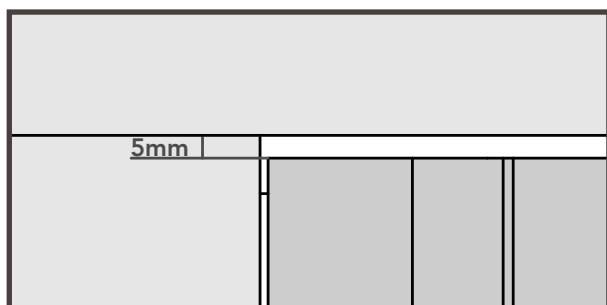
Please take care when installing the security screws.  
Once the screws have been secured in place, you will be unable to unscrew them.

# STEP 1: DOOR HINGES



## DOOR HINGES

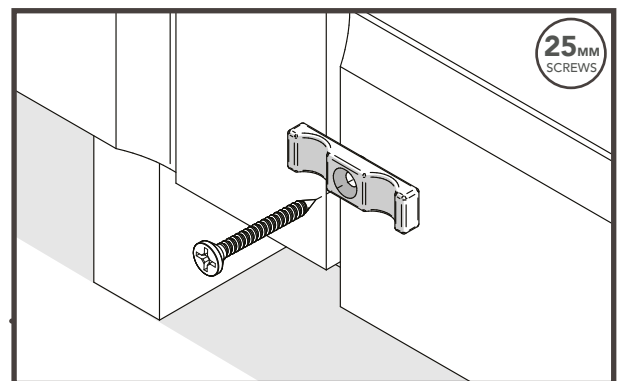
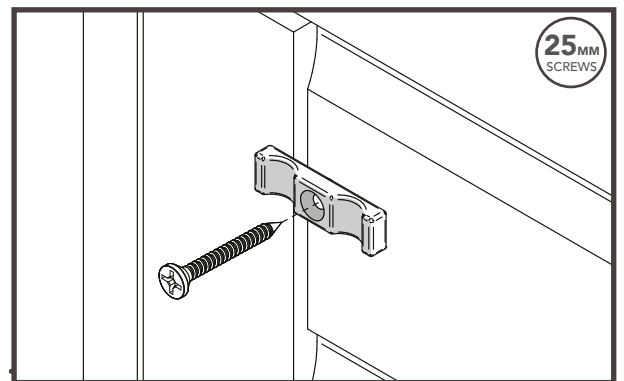
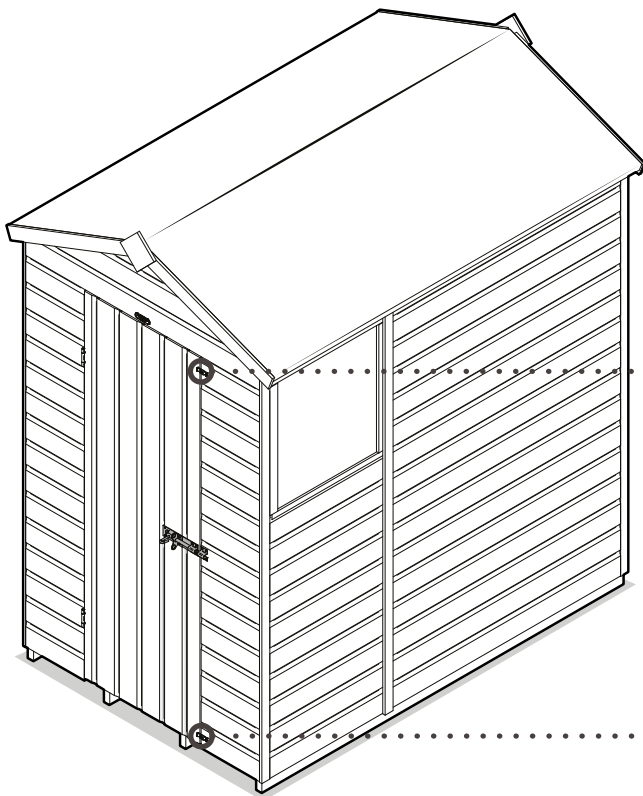
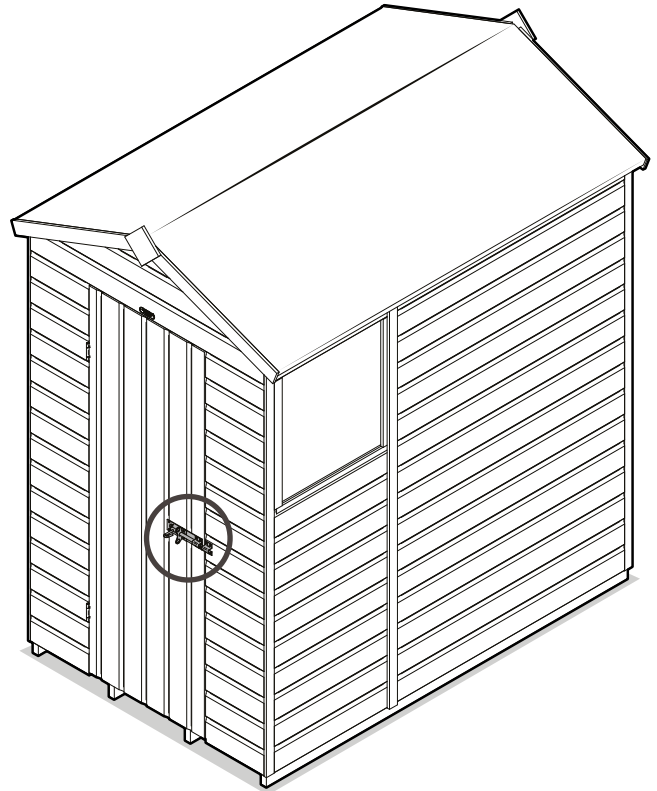
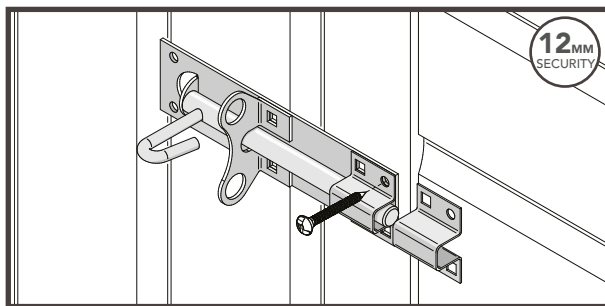
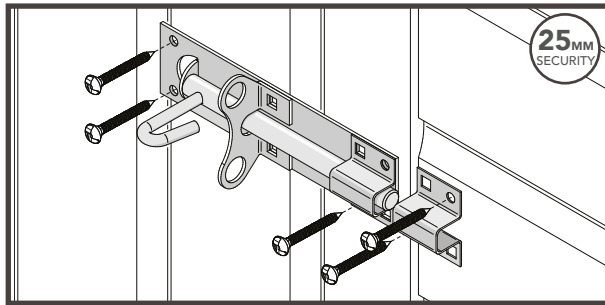
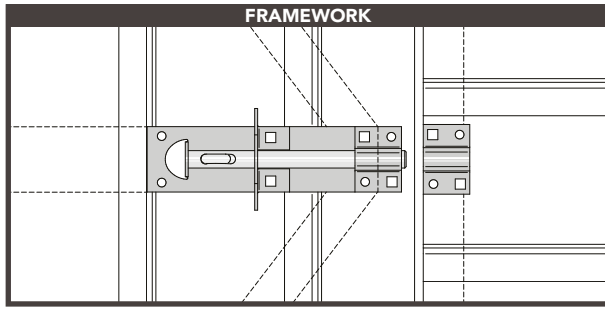
Position and secure 2 x hinges to the Door framework. Please take note of the hinge position. The hinges pin should sit under the overlap board and in the centre of the shiplap board as shown above.



## DOOR INSTALLATION

Position the Door into the door opening, ensuring it is level. Ensure the hinges are up against the framework and on the side, you secured the Door Weather Strip. Secure the hinges in place. Allow a 5mm gap at the top when positioning the Door.

## STEP 2: DOOR FIXINGS



### PADBOLT

Position and secure the Padbolt to the Doors framework. The front hole on the Padbolt will require the smaller security screw to be secured to the Door. **Secure the Receiver to the Door Panels framework as shown above. Use a flat head screwdriver to install the security screws.**

### TURN BUTTONS

Position and secure a turn button to the top and bottom of the Door into the Door Panels framework as shown above.