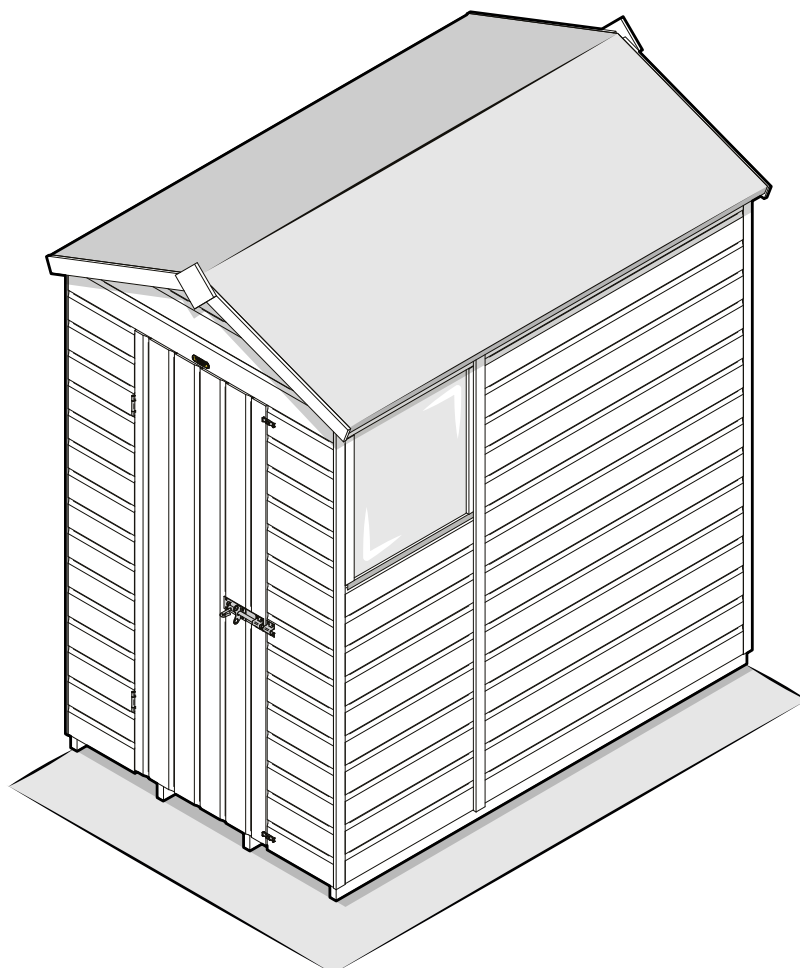


# BECKWOOD



# SHED



**Missing something or need more information?**

**Visit our website for spare instructions and more information**

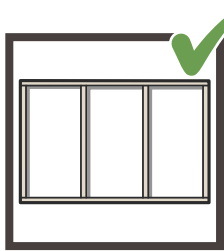
# BEFORE YOU START..

check all the components and fixings

generic fixing packs      generic loose item packs  
suit the shed range. You should expect there to be leftover fixings and loose items.

## BASE PREPARATION

solid, level base.



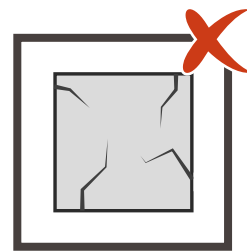
Timber Base



Concrete



Pro Shed Base



Broken Slabs/Gaps



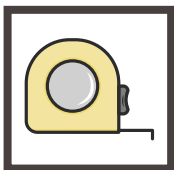
Loose Soil

does not deviate by any more than 15mm

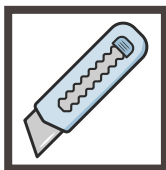
[www.forestgarden.co.uk](http://www.forestgarden.co.uk)

## TOOLS REQUIRED

(not supplied)



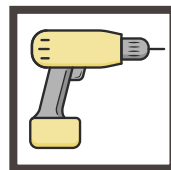
Tape Measure



Sharp Knife & Scissors



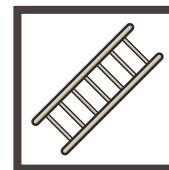
PZ2 Pozidriv & Flat Head Screwdriver



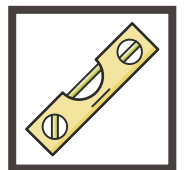
Drill & 2-16mm Drill Bits



Hammer



Fit For Purpose Ladder



Spirit Level

are pre-drilled

avoid splitting the timber.

screw holes



**IMPORTANT**

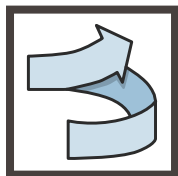


**REMINDER**

PLEASE KEEP PLASTIC BAGS AND SMALL PARTS AWAY FROM BABIES AND CHILDREN.  
TO AVOID DANGER OF SUFFOCATION, PLEASE KEEP THE PROTECTIVE FILM AWAY FROM BABIES AND CHILDREN.  
CHECK AND TIGHTEN ALL THE FIXINGS APPLIED TO THIS PRODUCT ON A REGULAR BASIS.

# CARE & ATTENTION

## THINGS THAT YOU MIGHT SEE IN YOUR PRODUCT



### **Movement, Twisting & Warping**

shape as the porous fibres shrink. This can be exaggerated during prolonged periods of dry weather. Movement and gaps in



### **Expansion, Contraction, Splits & Cracks**

dry out. The outer surface dries first and contracts, contracting over a still expanded core of the wood. The result of this is that



### **Mould & Blue Stain**

Mould is a surface-dwelling fungus that feeds on the nutrients and debris contained in the surface cells of timber. The most

### **Advice On Felt Handling & Usage**

Roofing felt is flexible at temperatures above 5°C. In cold temperatures extra care must be taken when handling and installing to prevent cracking and damage to the felt. The felt should not be rolled, folded, or used in temperatures lower than 5° C. In cold temperatures the felt should be stored above 10°C (indoors) for 24 hours prior to use. Felt must be lifted, not dragged, and should be stored on its end on a dry

## 8 TOP TIPS TO ENSURE YOUR SHED IS FULLY WATERPROOF

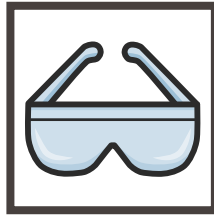
- 1 POSITION YOUR SHED IN THE BEST LOCATION IN YOUR GARDEN**
- 2 RAISE YOUR SHED OFF THE GROUND**
- 3 SEAL THE BEARERS**
- 4 USE AN END GRAIN PROTECTOR**
- 5 SEAL THE PANELS & WINDOWS**  
Use a flexible silicone sealant around windows to prevent water ingress. This can also be used where two sections of the shed join
- 6 CONSIDER ADDING GUTTERS**
- 7 KEEP VENTILATED**  
Good airflow around the perimeter of the shed and regular ventilation inside the shed will help prevent mould and mildew.
- 8 CONSIDER A WATER SEALANT**

# HEALTH & SAFETY

Do not exempt yourself from wearing PPE.



Cut-Resistant  
Gloves



Protective Glasses



Protective Boots



Protective Mask



Working At  
Height

THE ROOF OF THIS BUILDING IS NOT A LOAD BEARING STRUCTURE.

# TREATMENT INFORMATION

<b>Pressure Treatment</b>
Pressure treatment is to provide protection against rot
Pressure treated sheds do not need to be re-treated every year
25 year guarantee

Use the 'waterproofing top tips' to increase the longevity of your shed.

[www.forestgarden.co.uk /guide-to-our-products/](http://www.forestgarden.co.uk/guide-to-our-products/)

Treated timber contains biocidal products for control of wood destroying organisms.

Active Ingredients

Do not use for animal bedding or in fish ponds.

# DISCLAIMER

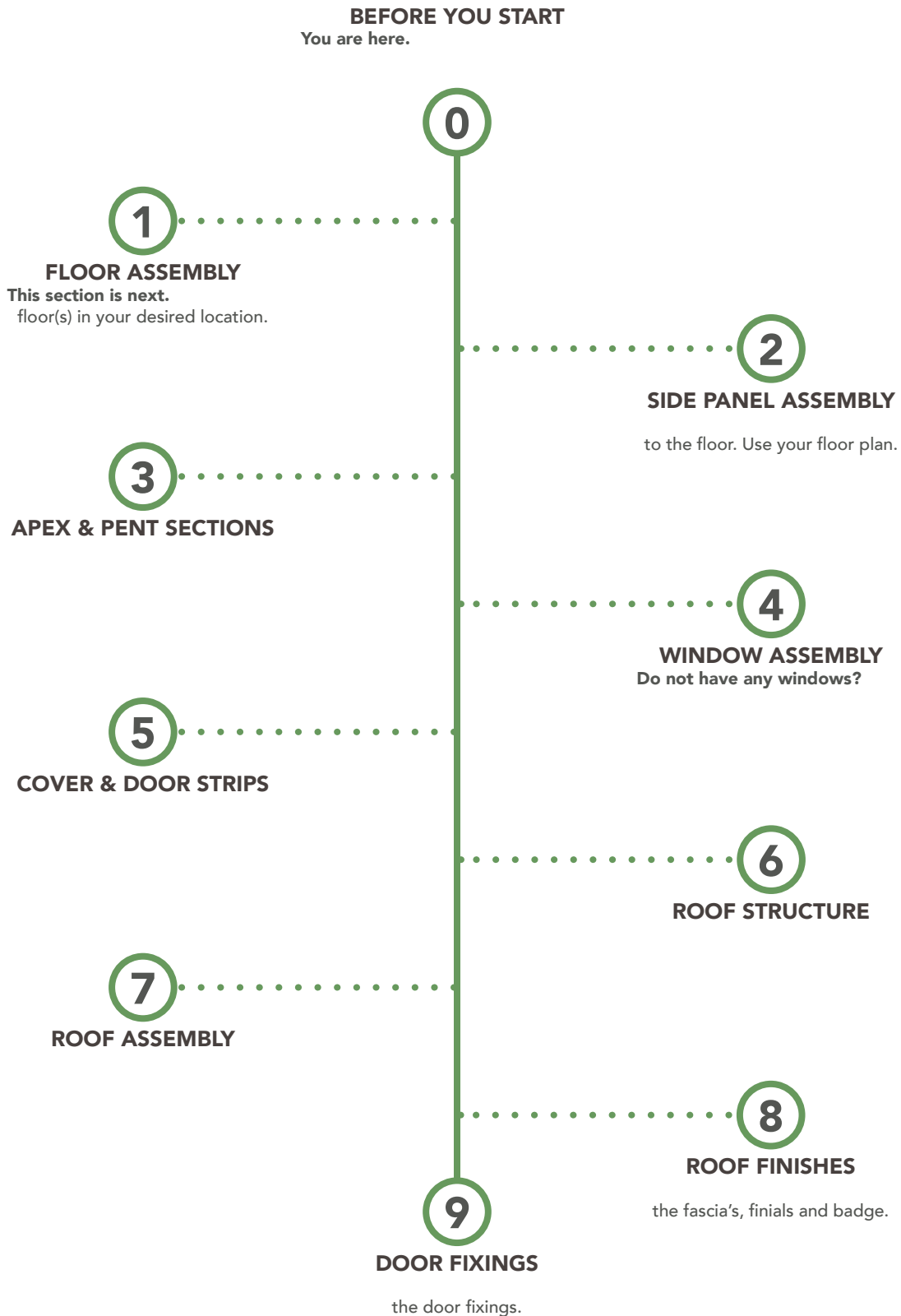
Check you have all your parts prior to assembly.

# ASSEMBLY GUIDE

several **fixing packs** for your build. Each fixing pack will contain a set of assembly instructions and its fixings for each step. Each set of instructions will include a **number, order.**

These fixing packs are generic, to suit the modular shed range. Visuals in each of the **steps are for reference only**

**if you have any issues, please contact our aftersales team. Check your parts list prior to assembly,**



# IDENTIFY YOUR CHOSEN SHED

floor plans

width, depth


roof type

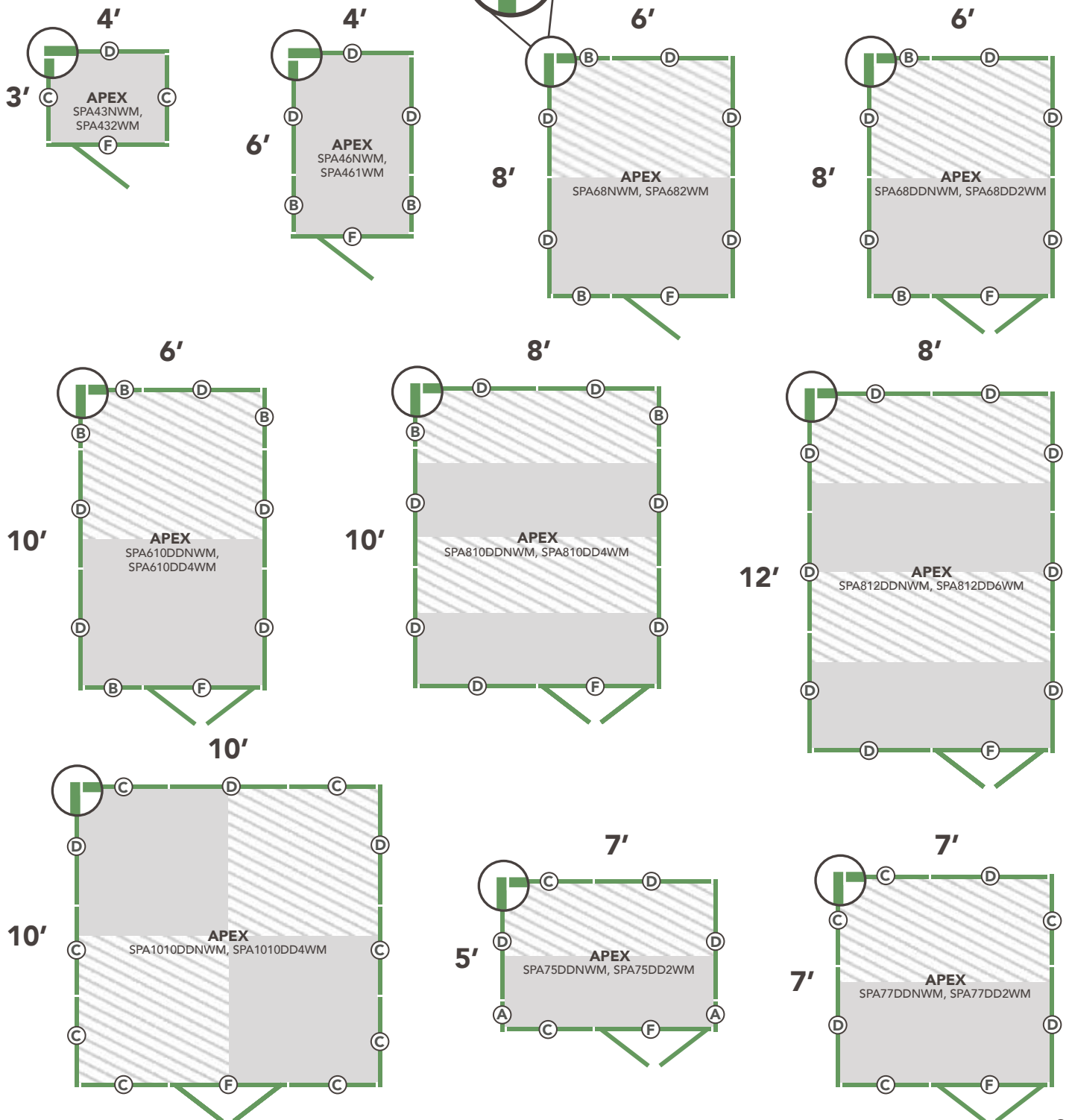
Use the key as a guide.

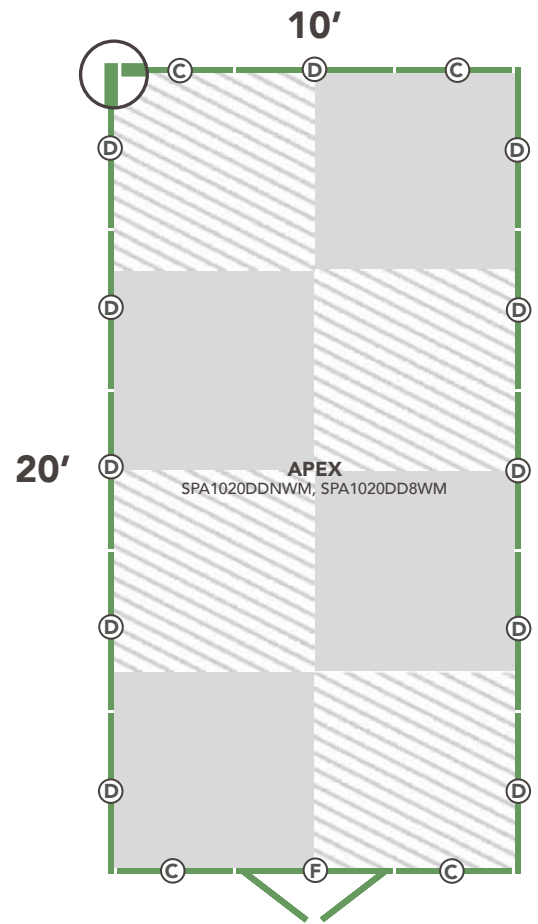
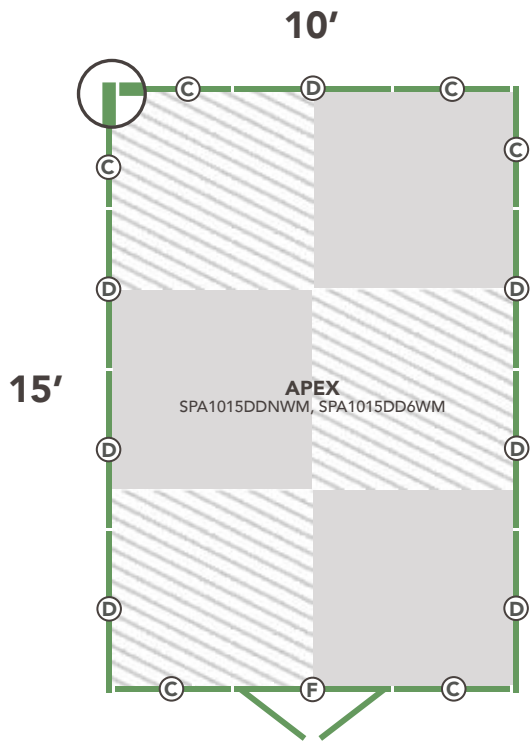
## KEY

- A** 1ft Panel (295 x 1831mm)
- B** 2ft Panel (590 x 1831mm)  
(With & without windows)
- C** 3ft Panel (885 x 1831mm)  
(With & without windows)
- D** 4ft Panel (1180 x 1831mm)  
(With & without windows)
- E** 3ft Door Panel (885 x 1831mm)
- F** 4ft Door Panel (1180 x 1831mm)

## PLEASE NOTE

 Indicates the panel orientation during construction. This will apply to all of the corners for your chosen shed.

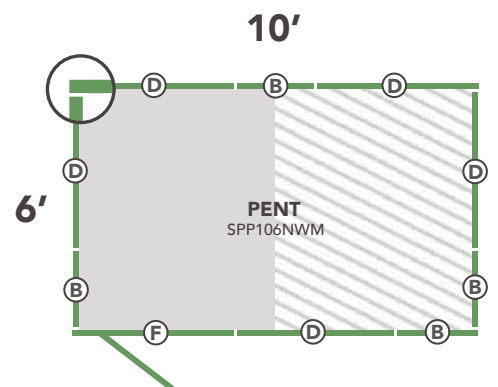
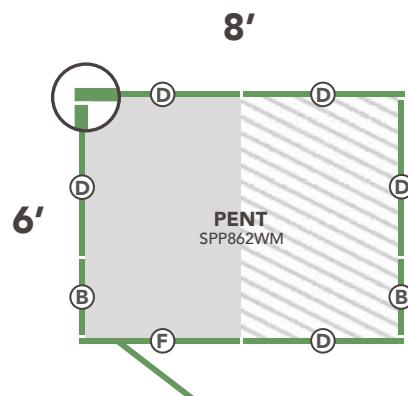
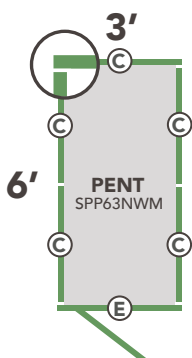
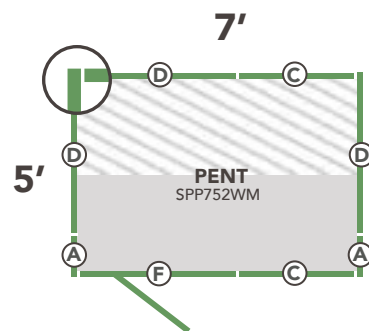
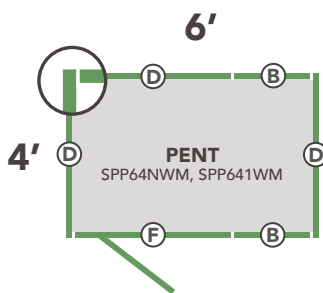


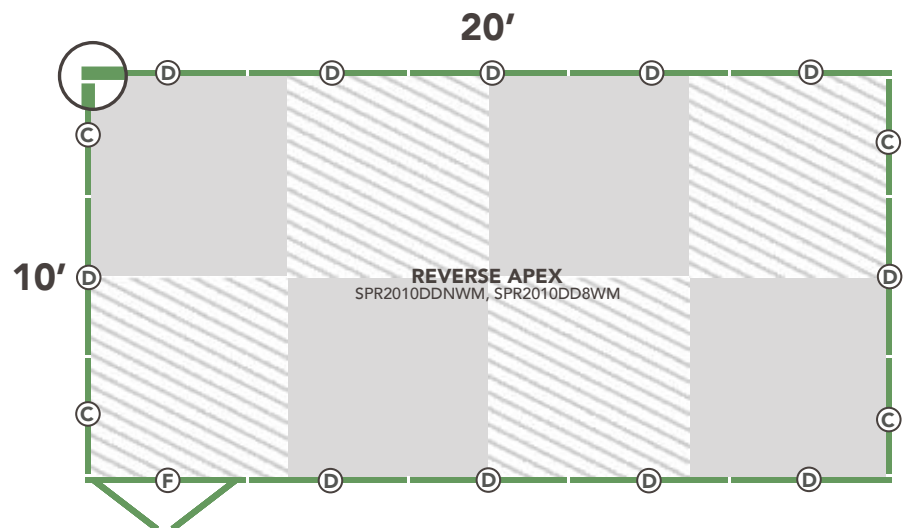
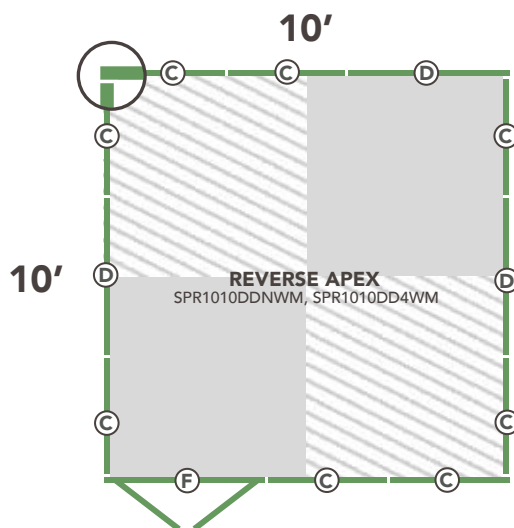
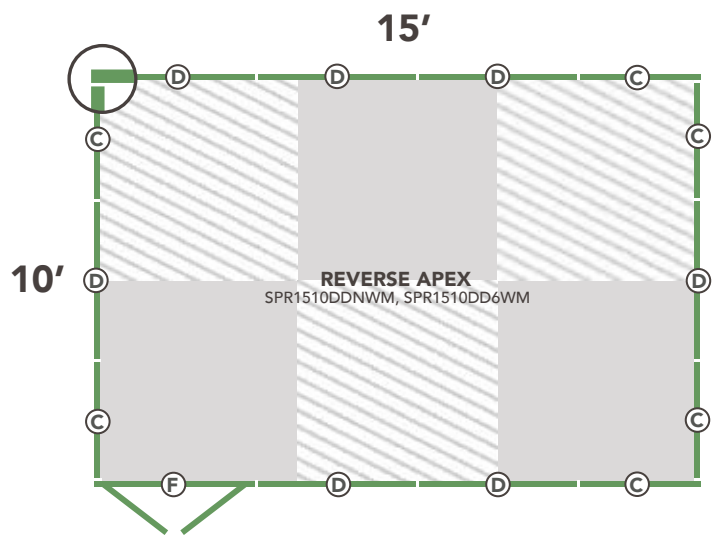
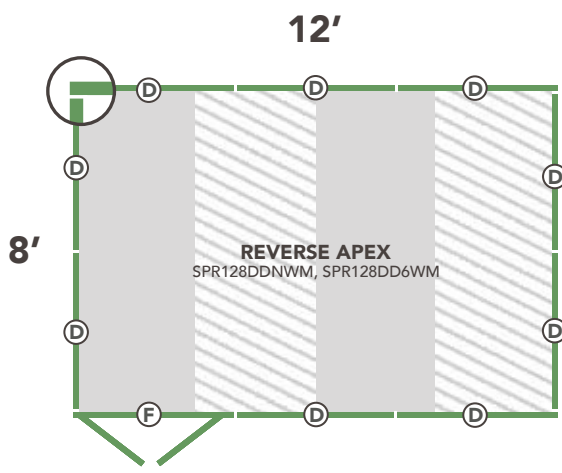
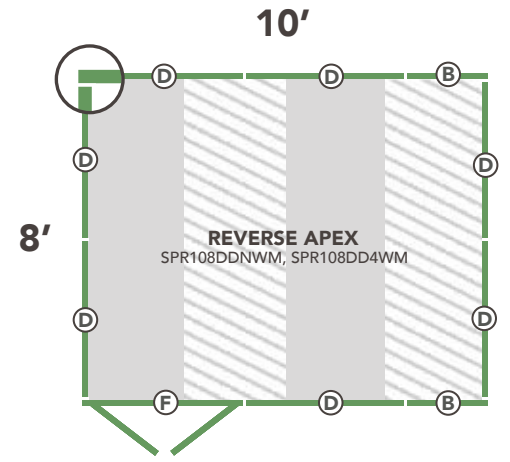
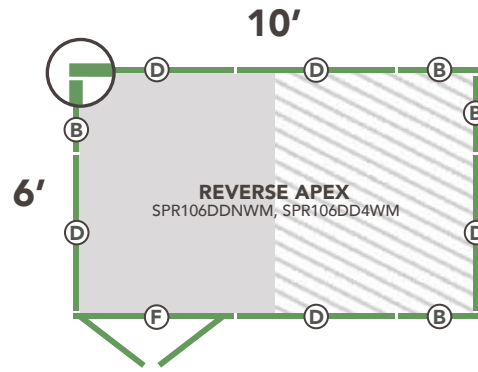
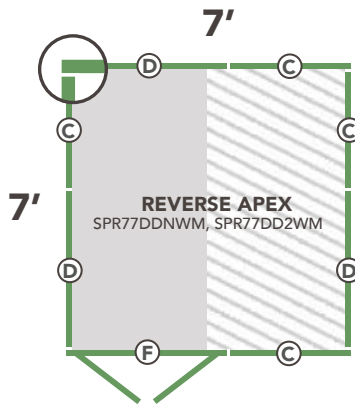
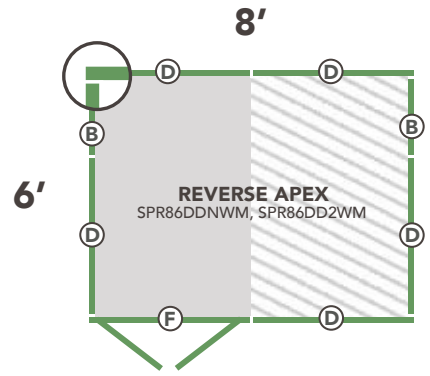
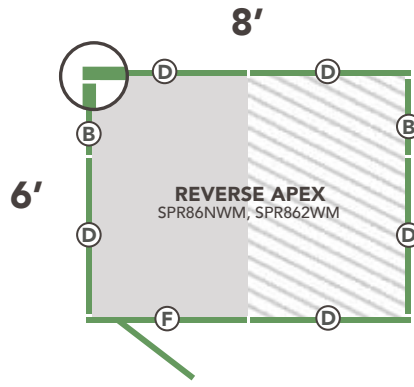
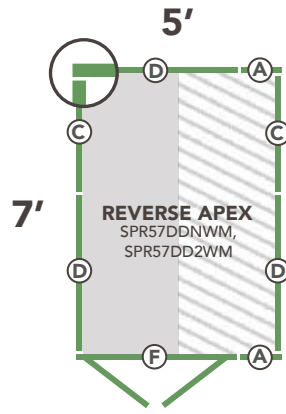
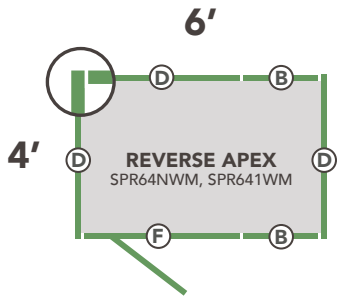


## INFILL PANELS (PENT SHEDS)

Pent sheds will have 'Infill Panels'

your Side Panels around your shed floor(s) for preparation. **Follow the assembly steps for more details.**

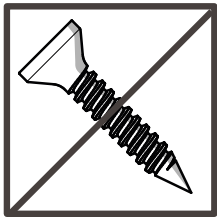




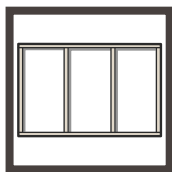
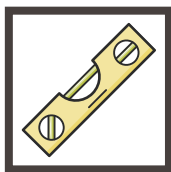
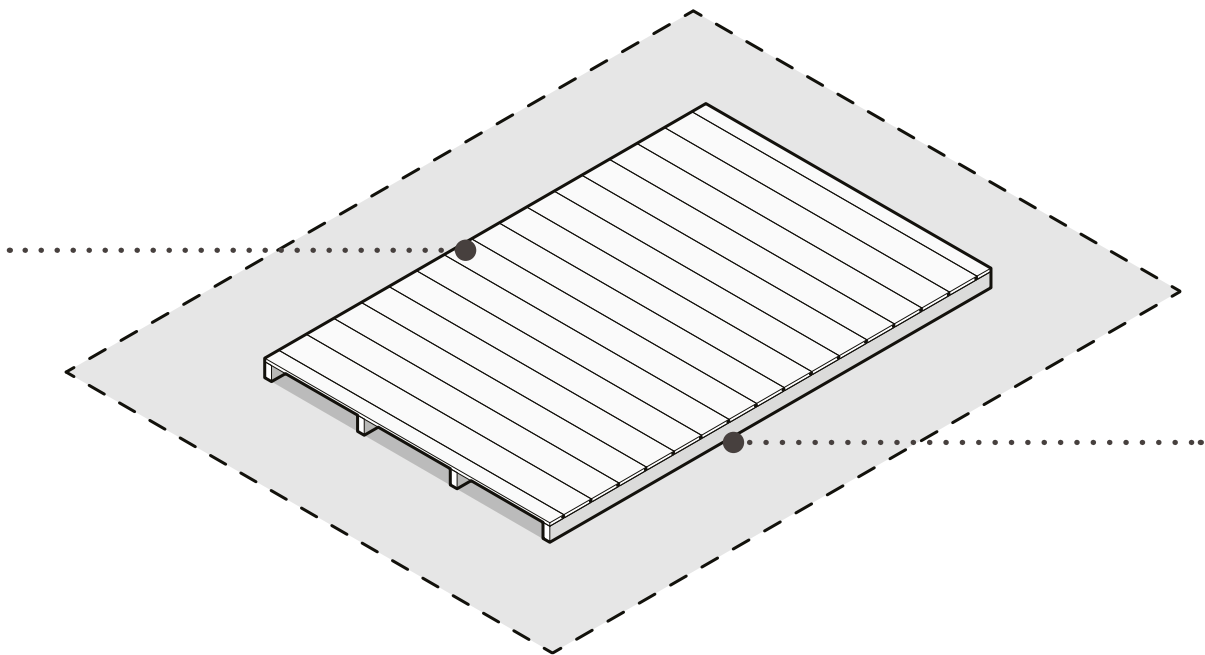


# SHED

## FLOOR ASSEMBLY (1)



THERE ARE NO FIXINGS FOR THIS SECTION.

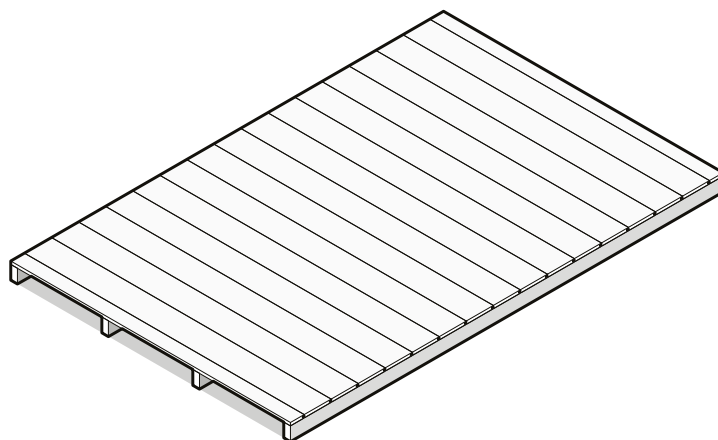


**your Floor must be firm and level**  
**access to all sides of your shed for assembly and any maintenance.**

# STEP 1: POSITION FLOOR(S)

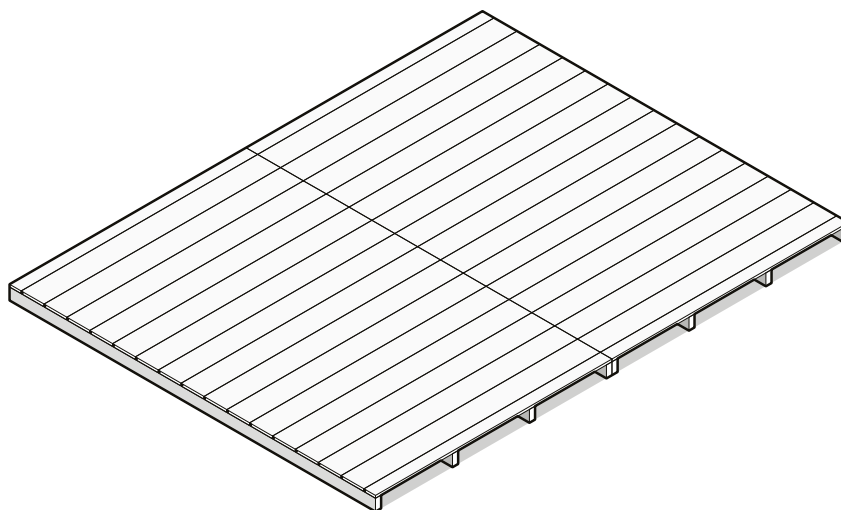
**do not** advise to secure the floors together.

If you wish to secure the floors together, you do so at your own risk.



## SINGLE FLOOR

Position the Floor

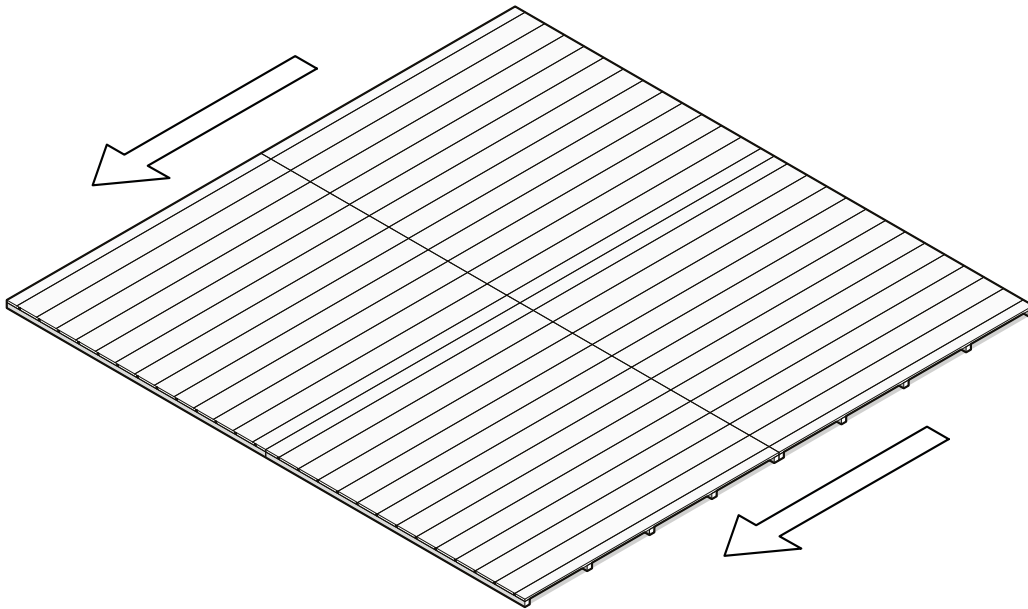
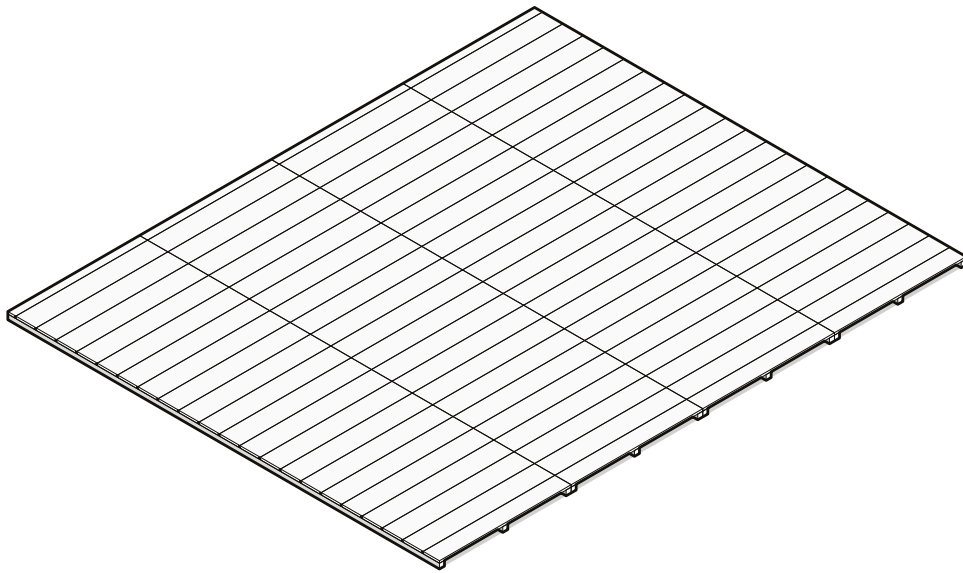


## DOUBLE FLOOR

Position the Floors

bearers

**Butt the Floor bearers together** and ensure they are flush on each side.  
**along their side face**



**Position the Floors**

**bearers**

### **MULTIPLE FLOORS**

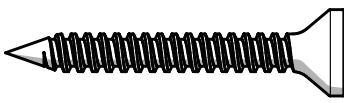
**Butt the Floor bearers together** and ensure they are flush on each side.  
**along their side face**

# SHED

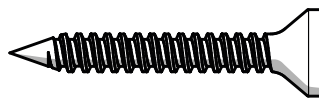
## FIXING PACK CONTAINS:

FIXING PACK CODE: SHEDPANELSFP

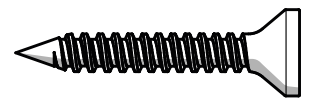
You may receive more than one of the same fixing pack to provide enough screws for the larger shed sizes.



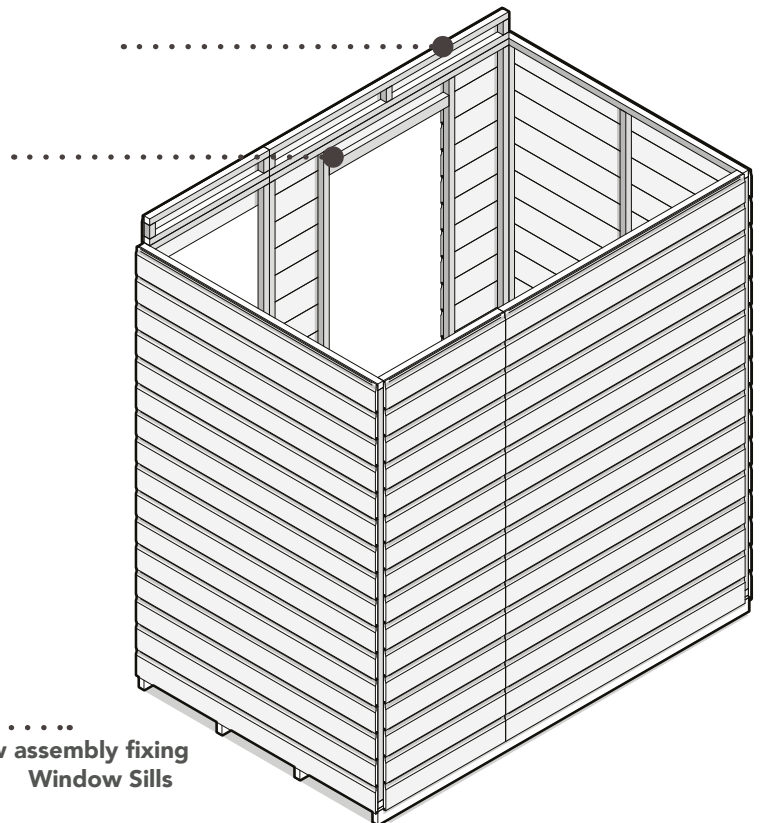
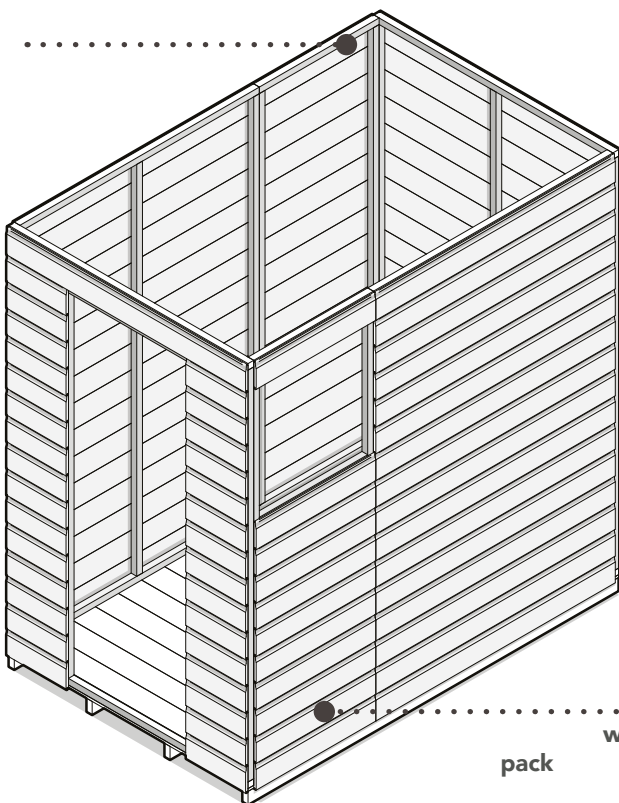
60mm  
3



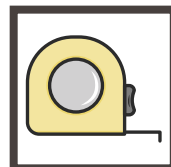
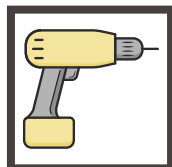
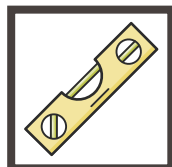
50mm  
52



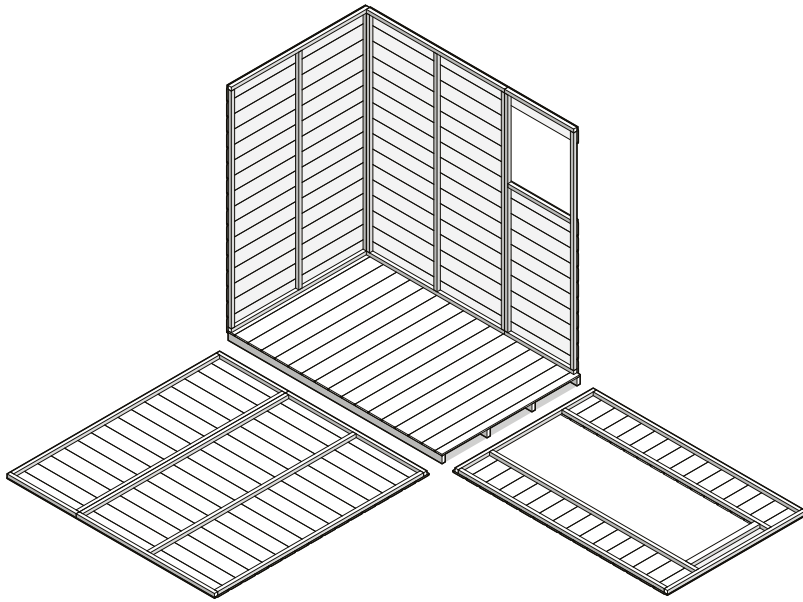
40mm  
2



pack window assembly fixing  
Window Sills

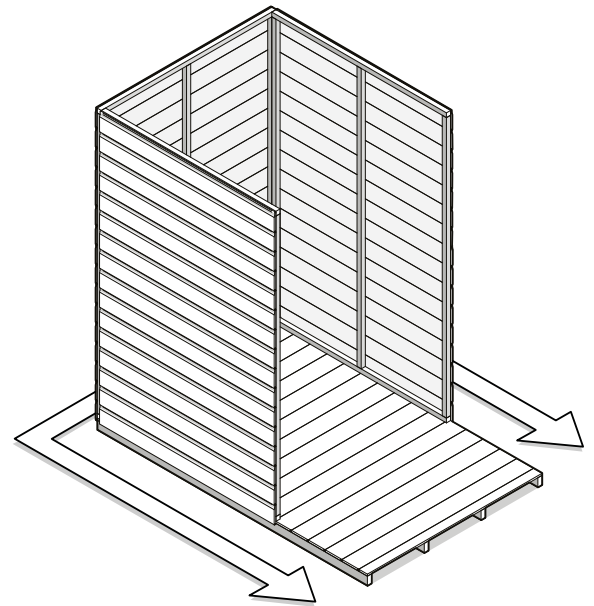


# STEP 1: SIDE PANEL ASSEMBLY



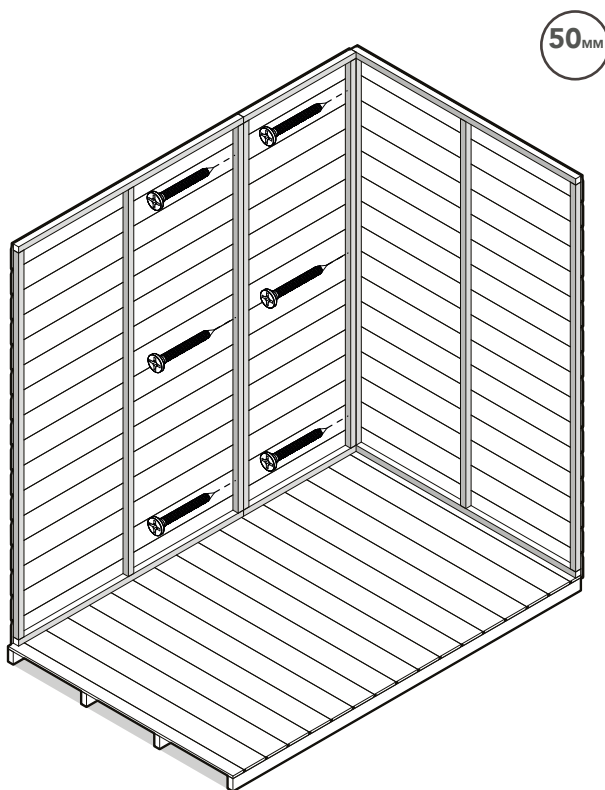
## LAY OUT YOUR PANELS

Lay out the panels in the correct configuration. Use your floor plan on your parts list to confirm panel configuration.



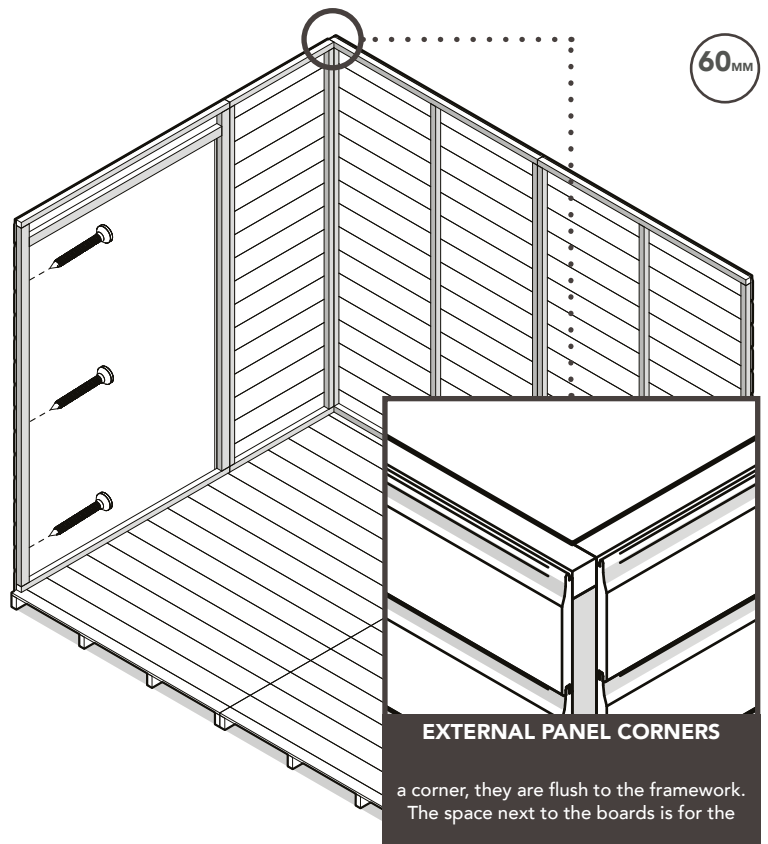
## WORK FROM BACK TO FRONT

We recommend starting in a back corner and then work from the back panels to the front panels for assembly.



## SECURE PANELS TOGETHER

Start in a back corner. Use your parts list to confirm the corner Position and secure the Side Panels together. Ensure the bottom batten on the Side Panels sit on the Floor and the bottom board is up against the Floor edge.



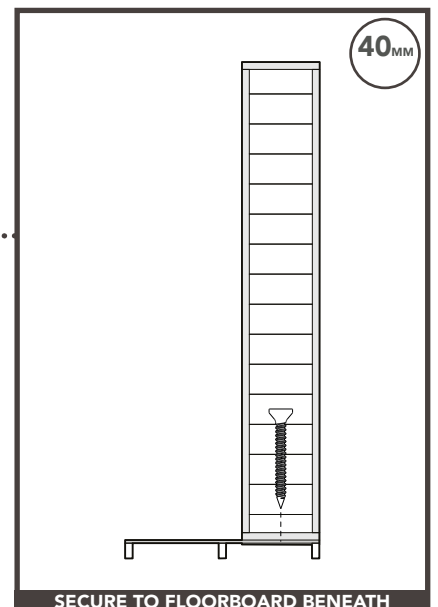
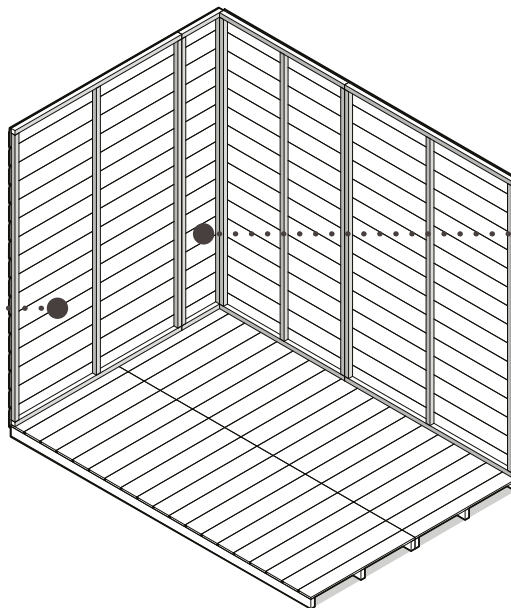
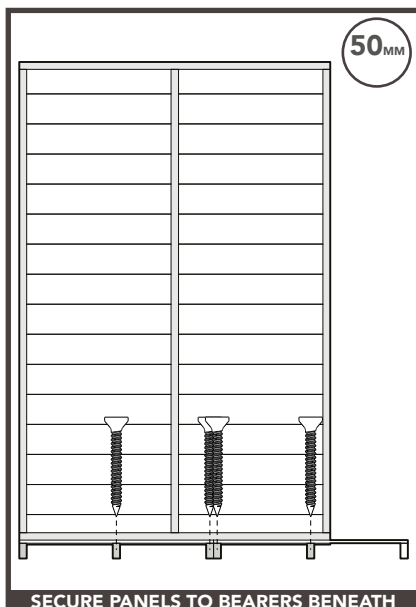
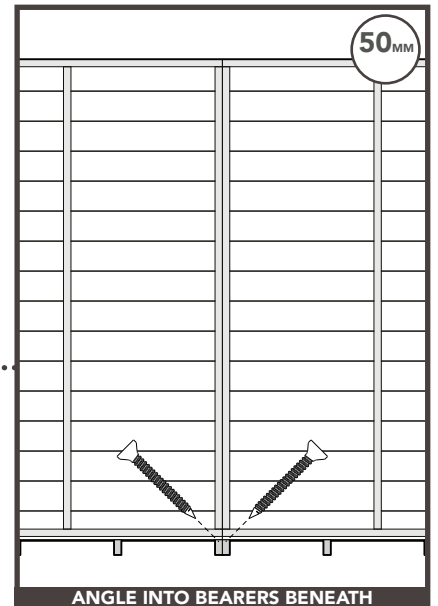
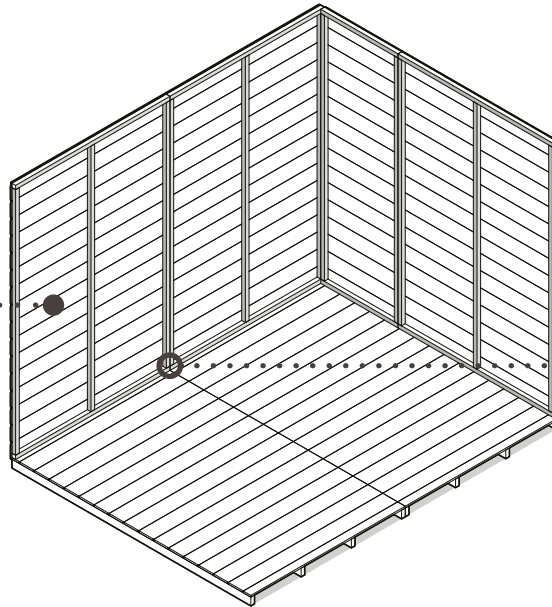
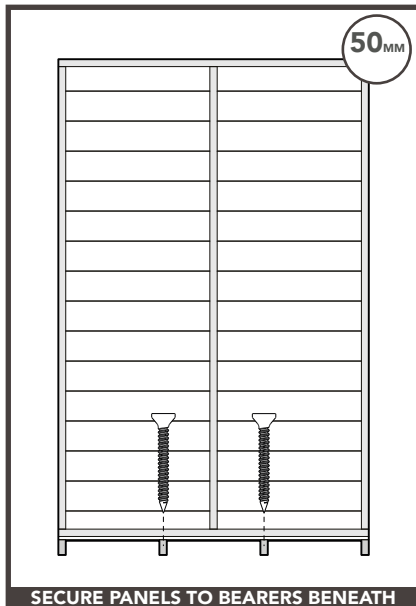
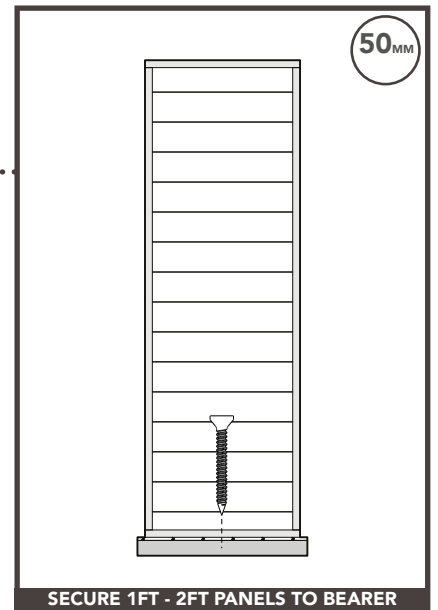
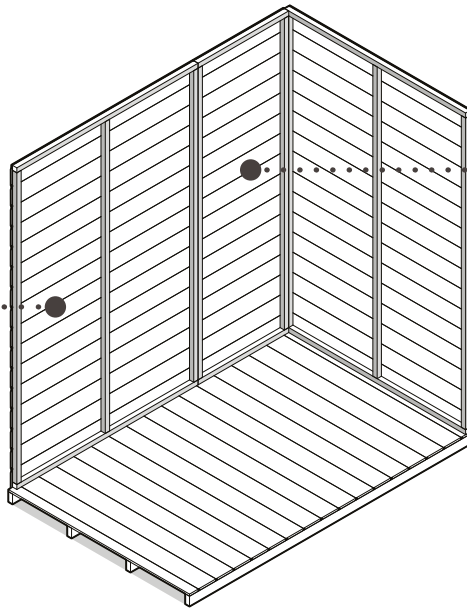
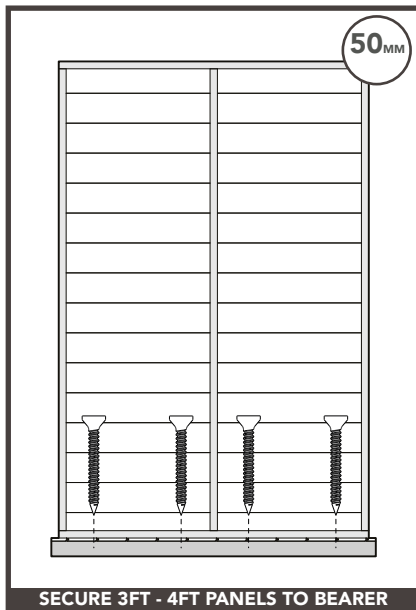
## EXTERNAL PANEL CORNERS

At a corner, they are flush to the framework. The space next to the boards is for the

## SECURING THE DOUBLE DOOR PANEL

60mm screws as shown above. Use 50mm screws for securing all of the other panels together.

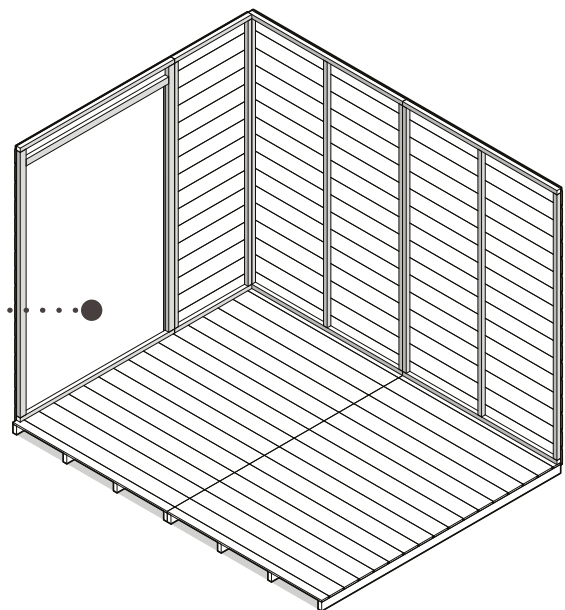
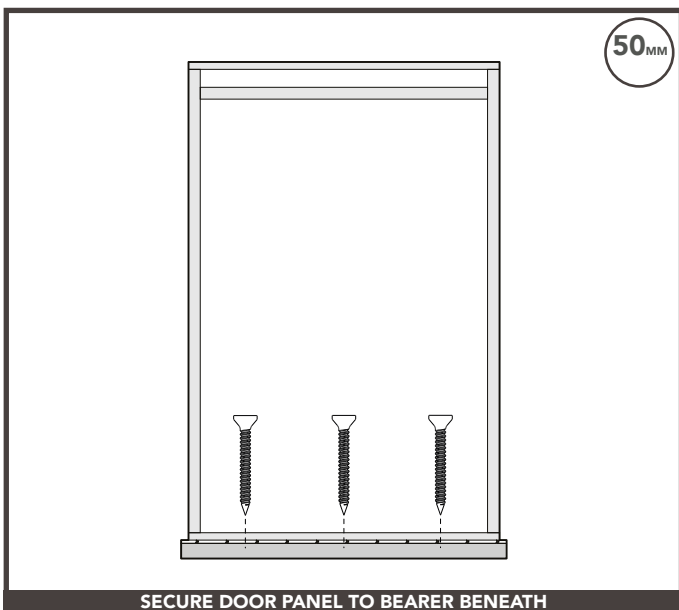
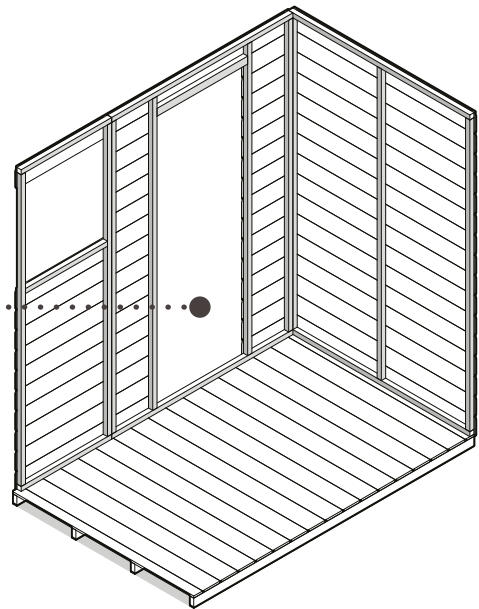
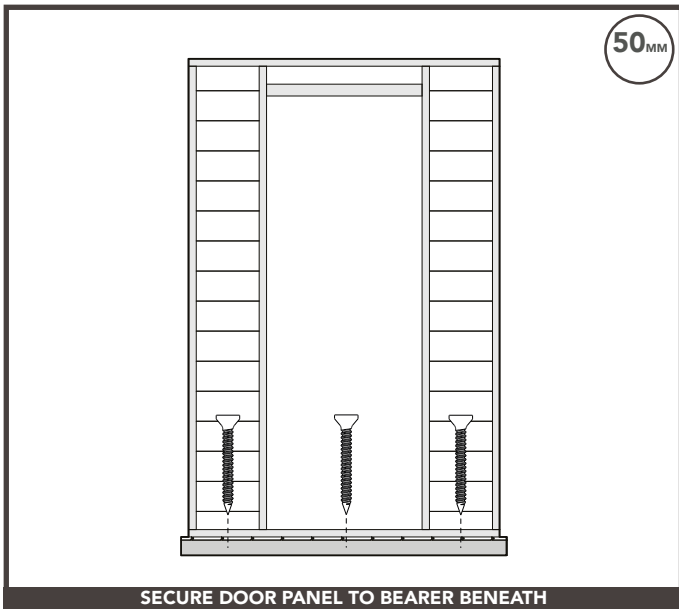
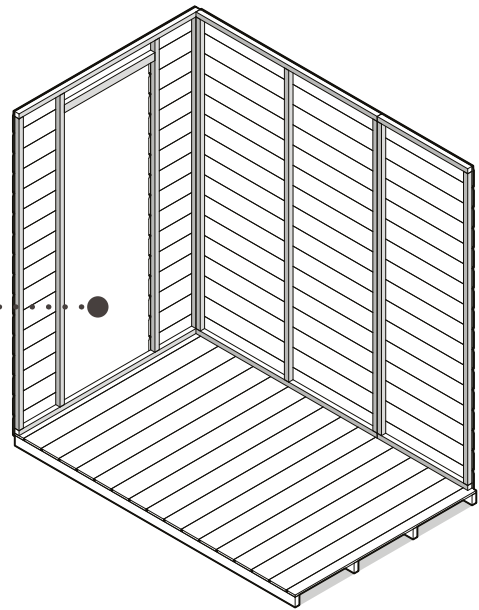
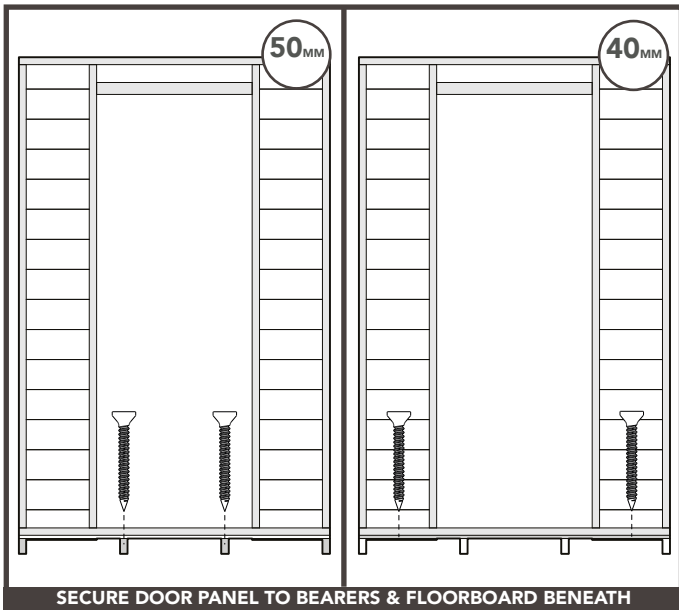
## STEP 2: SECURE SIDE PANELS TO FLOOR(S)



### SECURE TO FLOOR BEARERS/FLOORBOARD BENEATH

screwing into the floor bearers beneath (50mm screws).  
Secure the Side Panels to the floorboards if there are no bearers beneath (40mm screws).

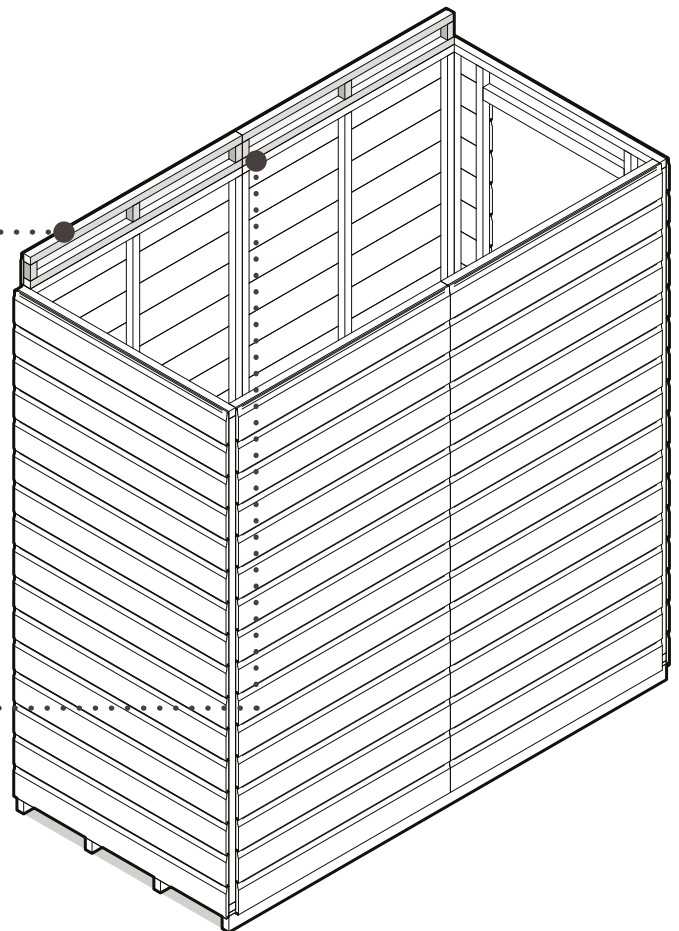
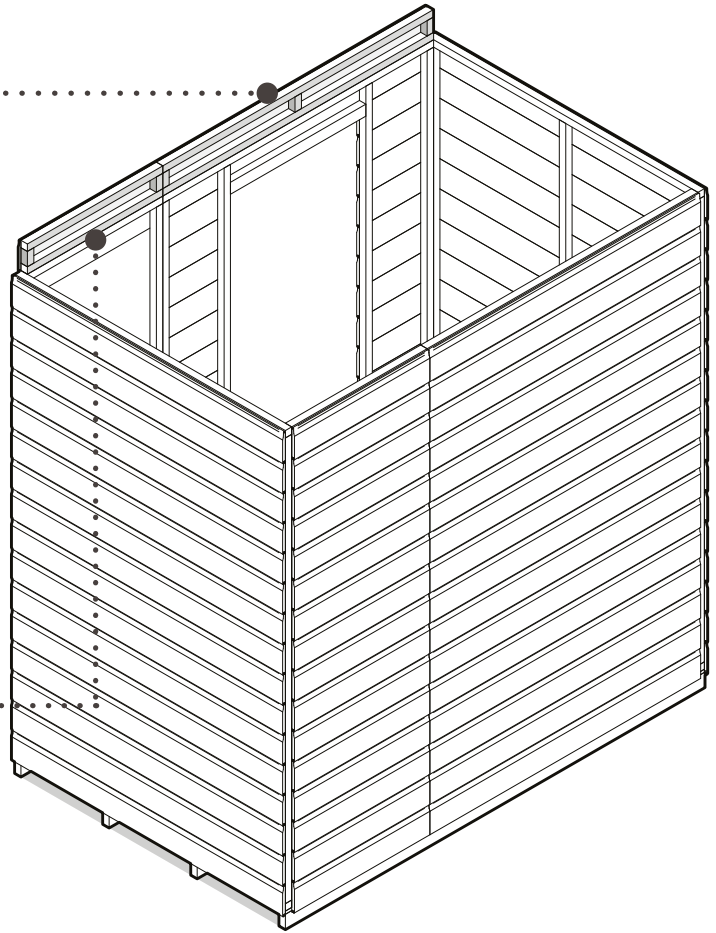
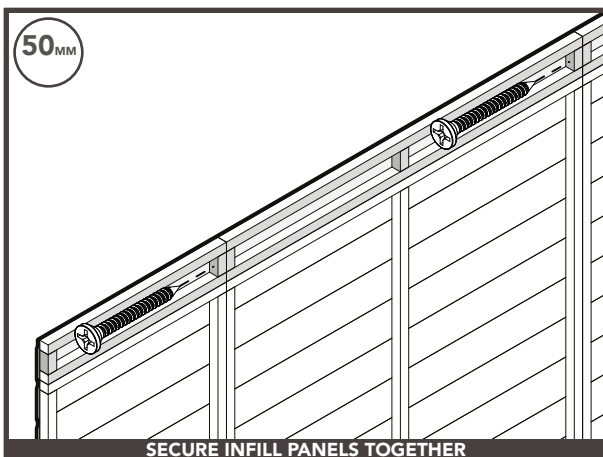
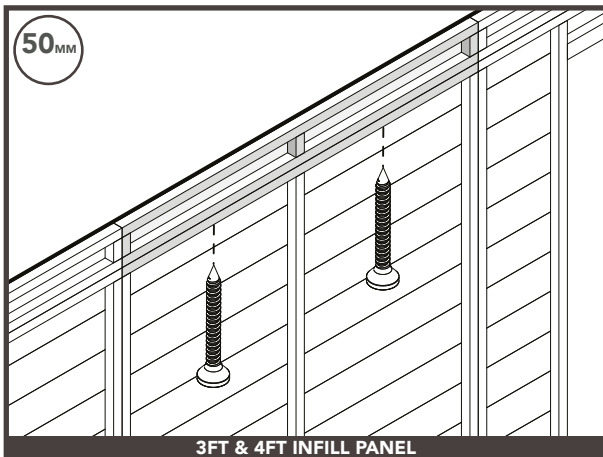
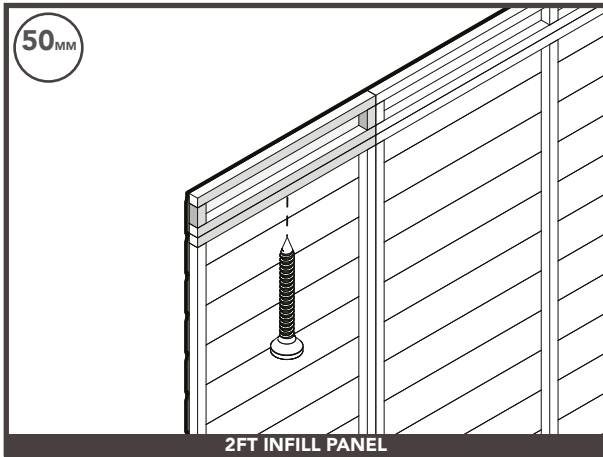
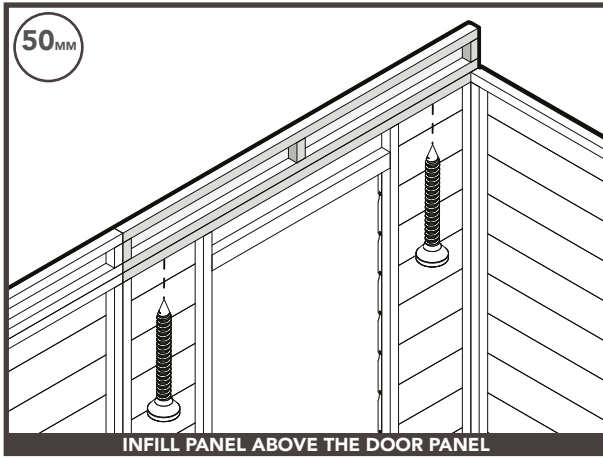
# STEP 3: SECURE DOOR PANEL TO FLOOR



## SECURE TO FLOOR BEARERS/FLOORBOARD BENEATH

screwing into the floor bearers beneath (50mm screws).  
Secure the Door Panel to the floorboards if there are no bearers beneath (40mm screws).

## STEP 4: PENT INFILL PANELS



### SECURE INFILL PANELS TO SIDE PANELS (PENT SHEDS ONLY)

Position and secure the Infill Panels to the top of the Side Panels. They will be the same width as the Side Panel beneath. The Infill Panels are for the roof angle on your pent shed. **Secure the Infill Panels together**

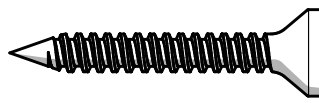


# SHED

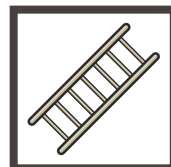
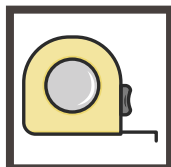
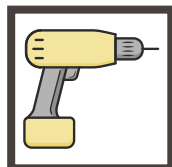
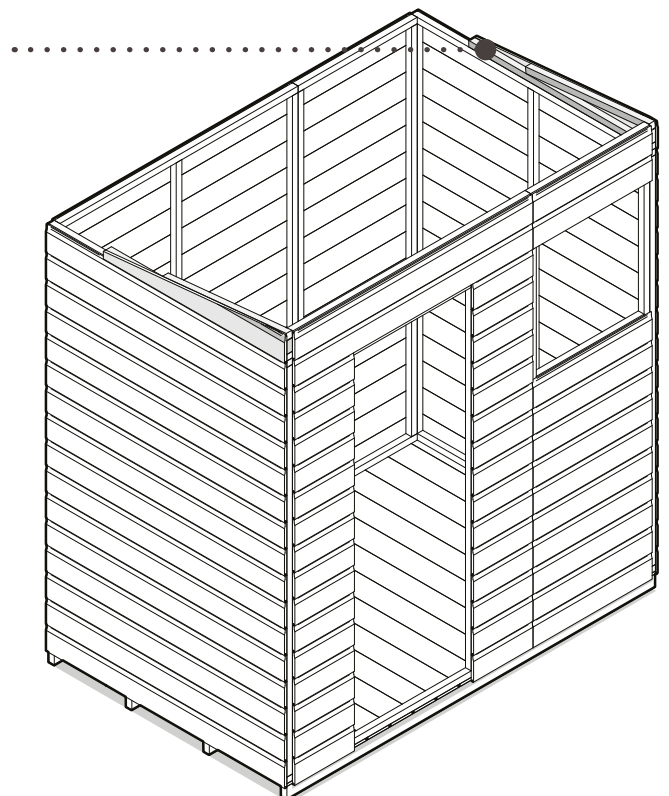
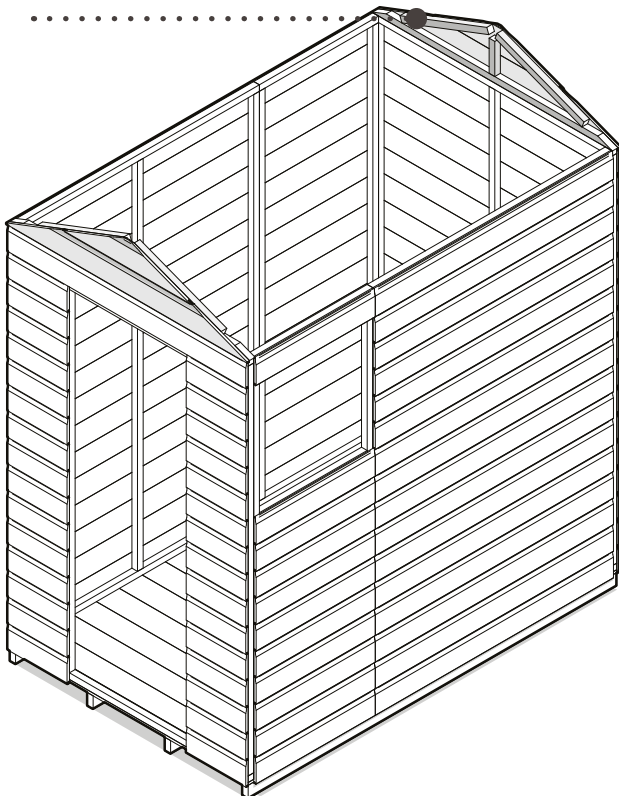
## FIXING PACK CONTAINS:

FIXING PACK CODE: SHEDGABLEFP

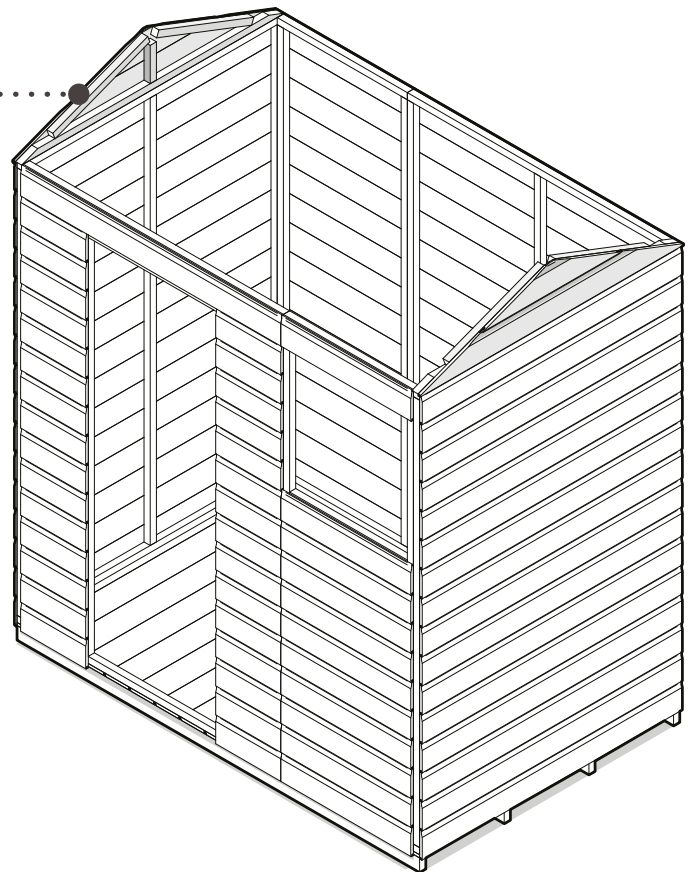
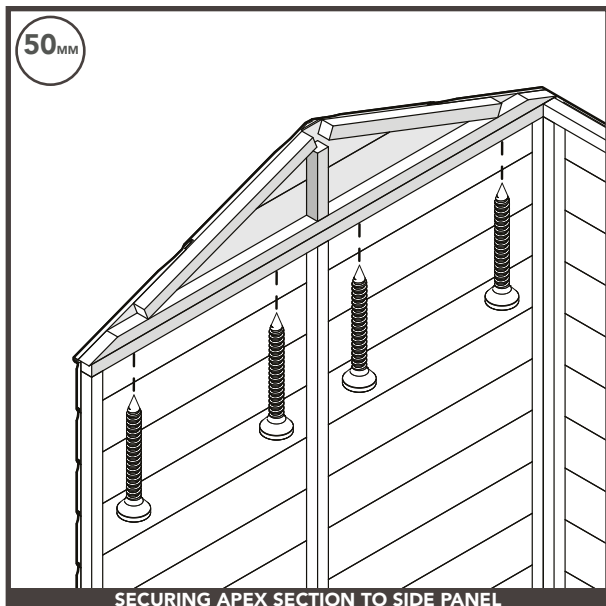
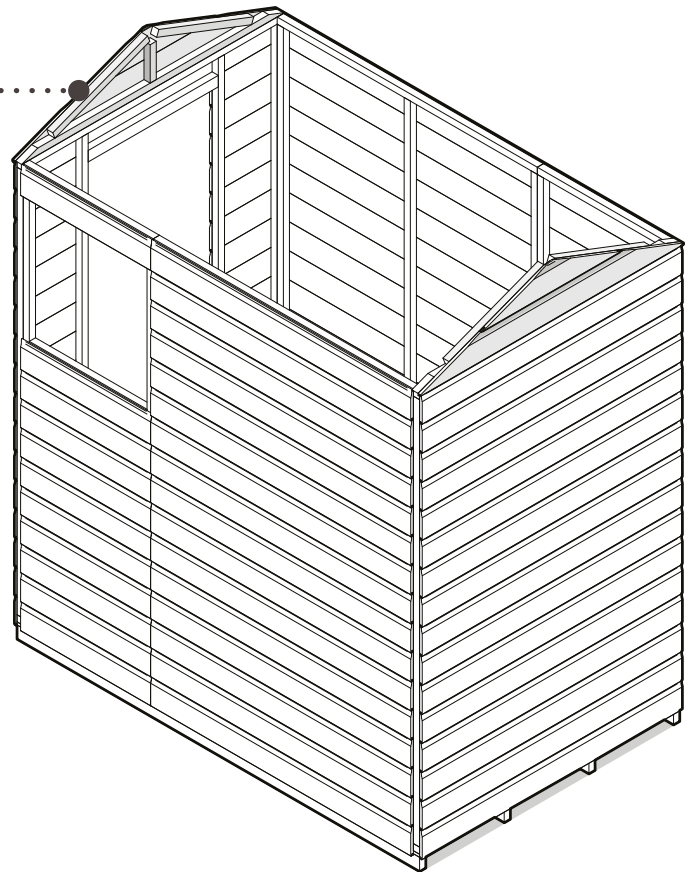
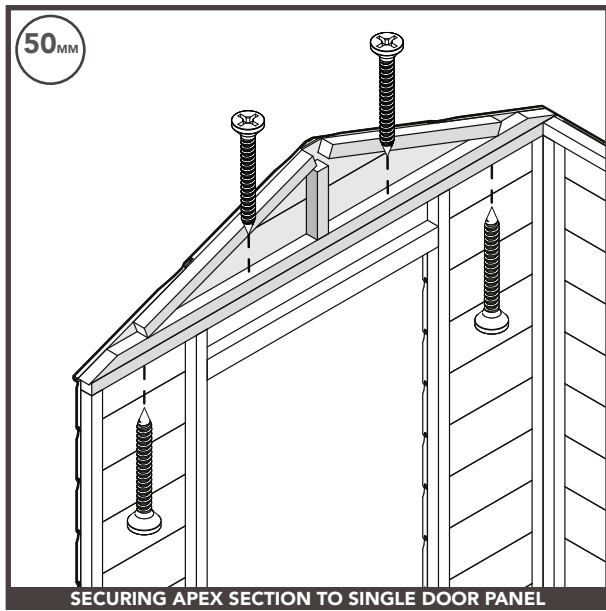
You may receive more than one of the same fixing pack to provide enough screws for the larger shed sizes.

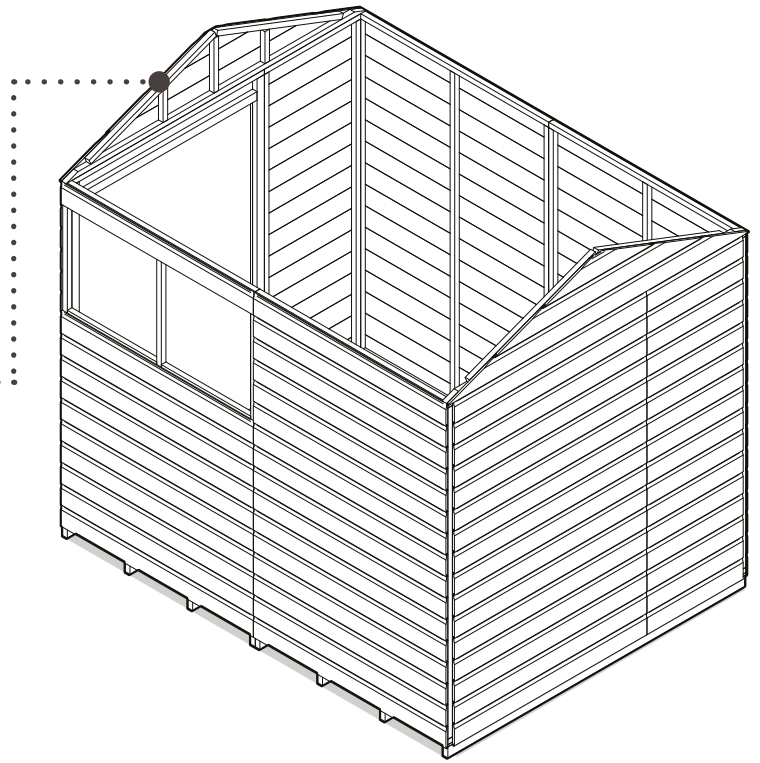
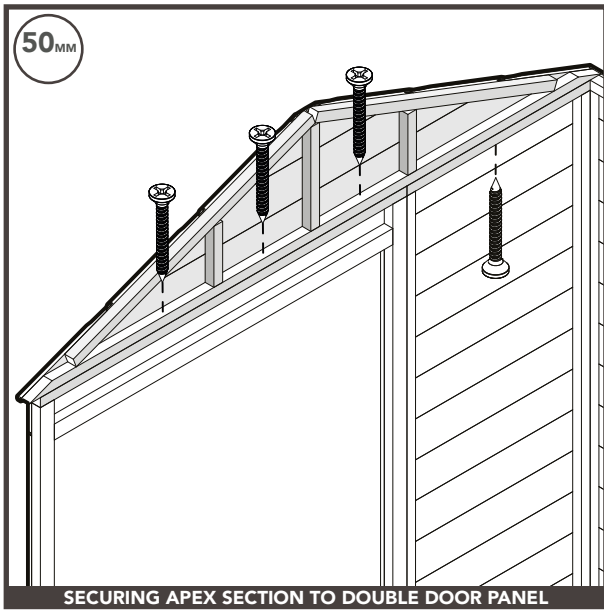


50mm  
8



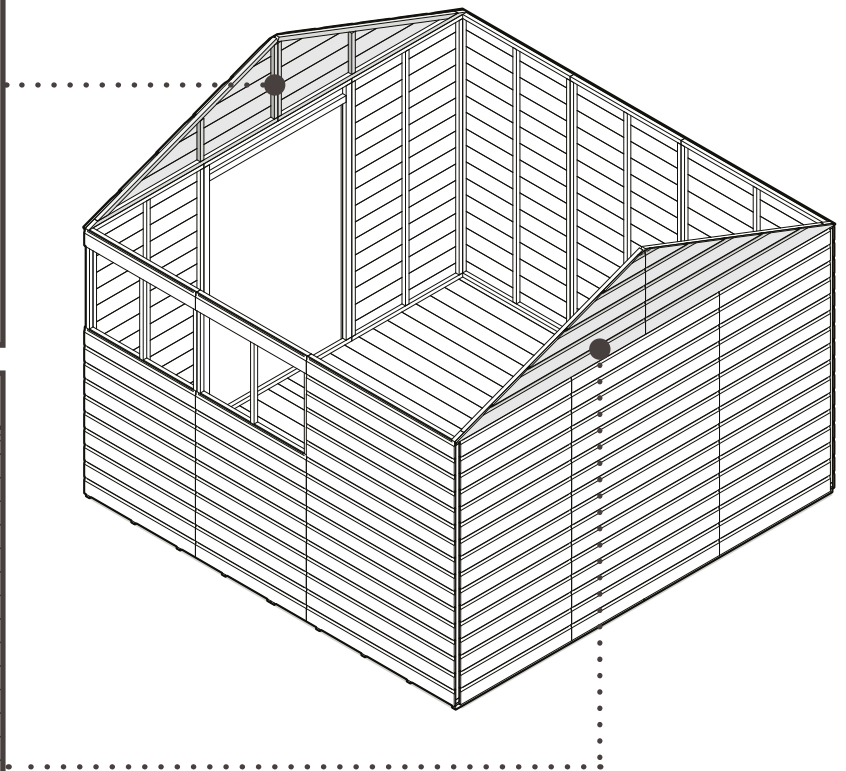
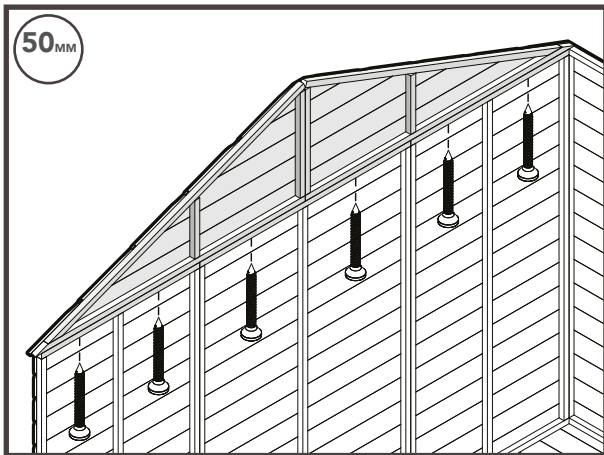
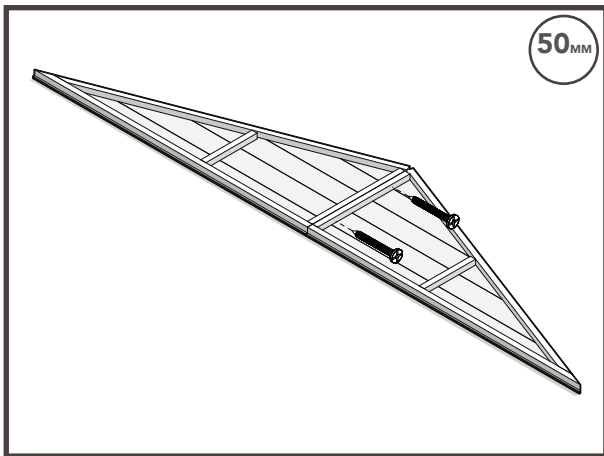
# STEP 1: APEX SECTION ASSEMBLY





## APEX SECTIONS

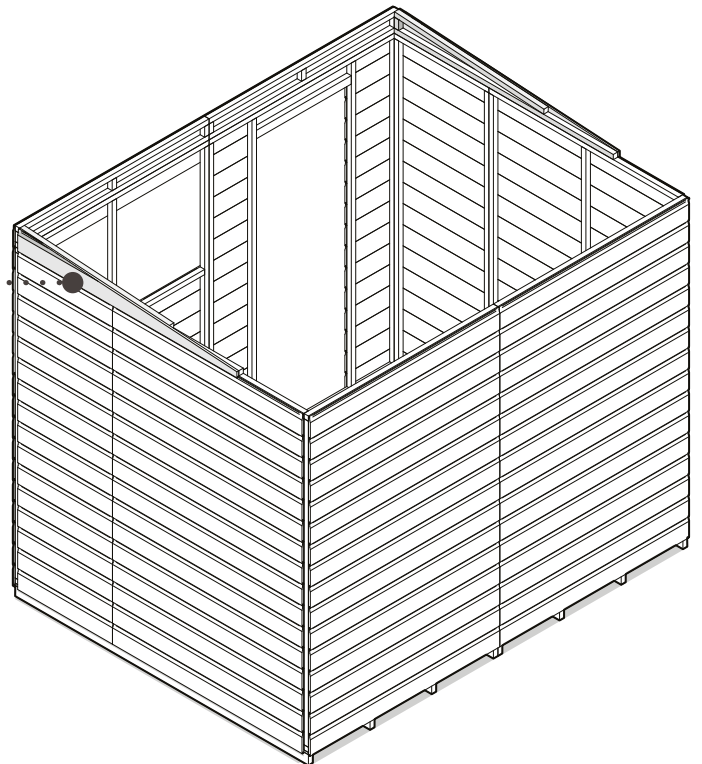
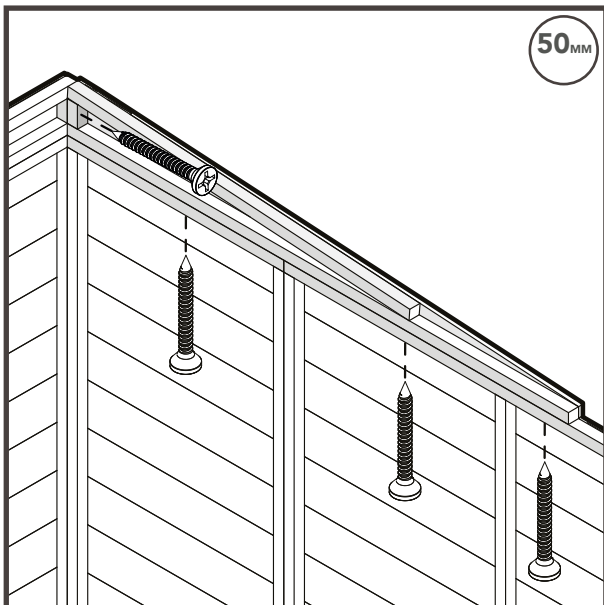
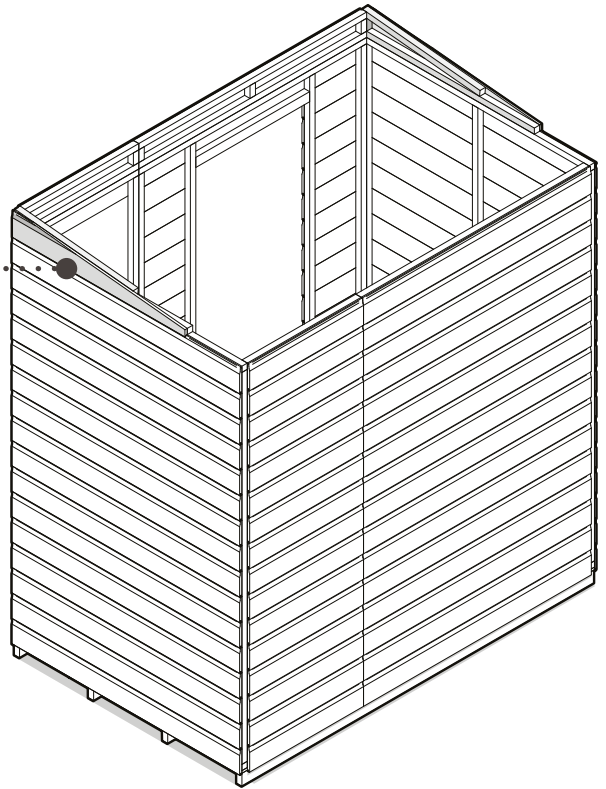
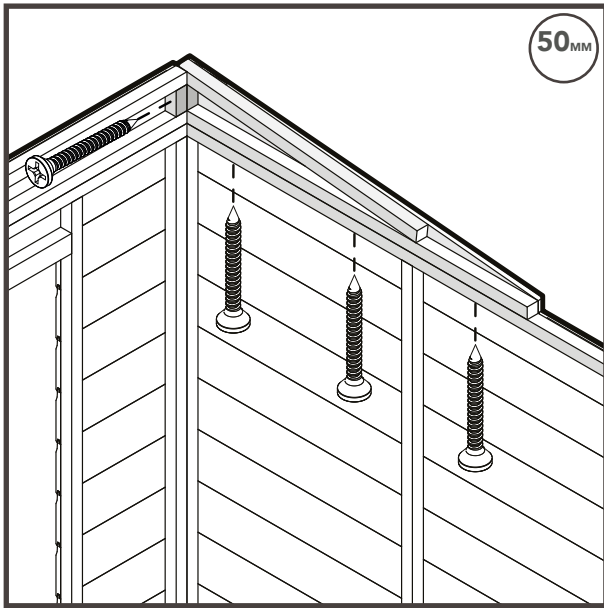
Position and secure the Apex Sections



## WORKSHOP APEX SECTIONS

Secure the Left and Right Hand Apex Sections together  
secure the complete Apex Section Pieces to the Side Panels

## STEP 2: PENT SECTION ASSEMBLY



### PENT SECTIONS

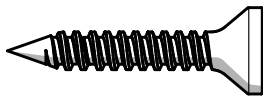
Position and secure the Pent Sections to the Side Panels and Infill Panels as shown above.

# SHED

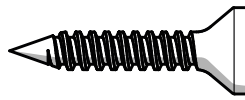
## FIXING PACK CONTAINS:

FIXING PACK CODE: SHEDWINFP

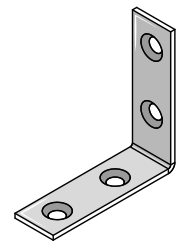
You may receive more than one of the same fixing pack to provide enough fixings for the sheds with more windows.



30mm  
14

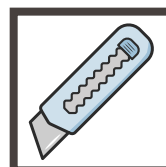
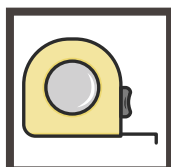
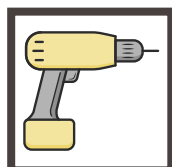
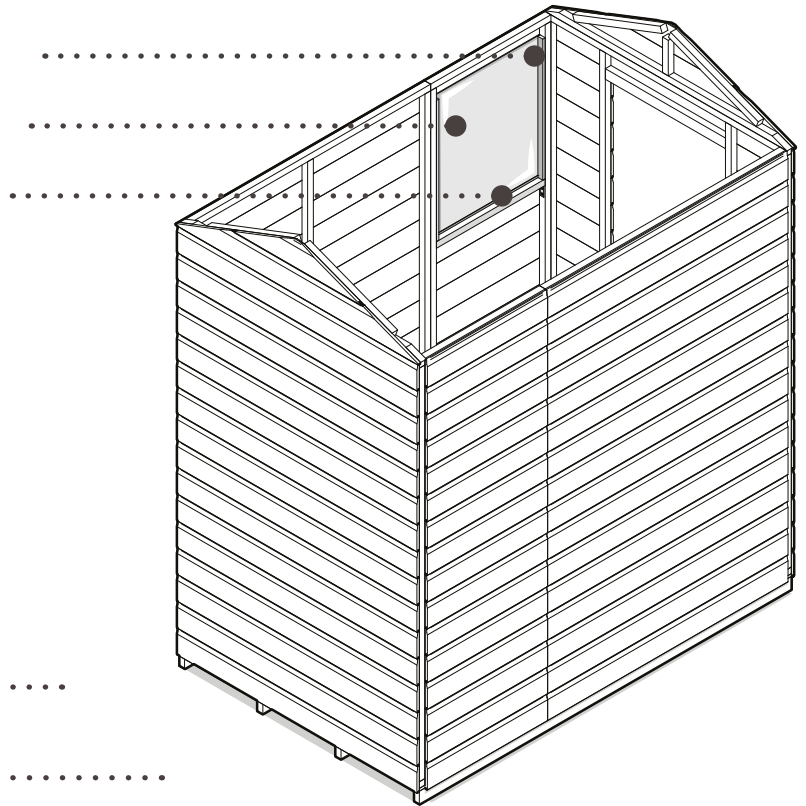
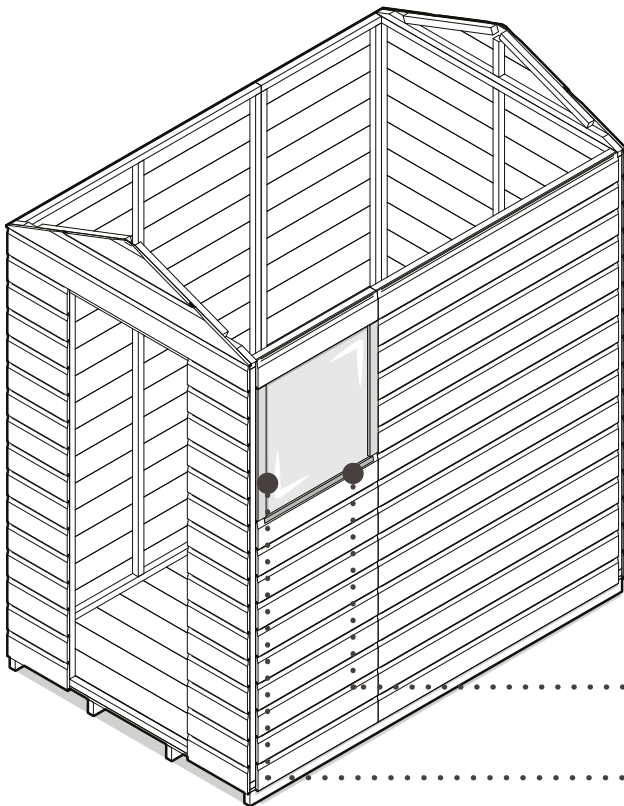


25mm  
16

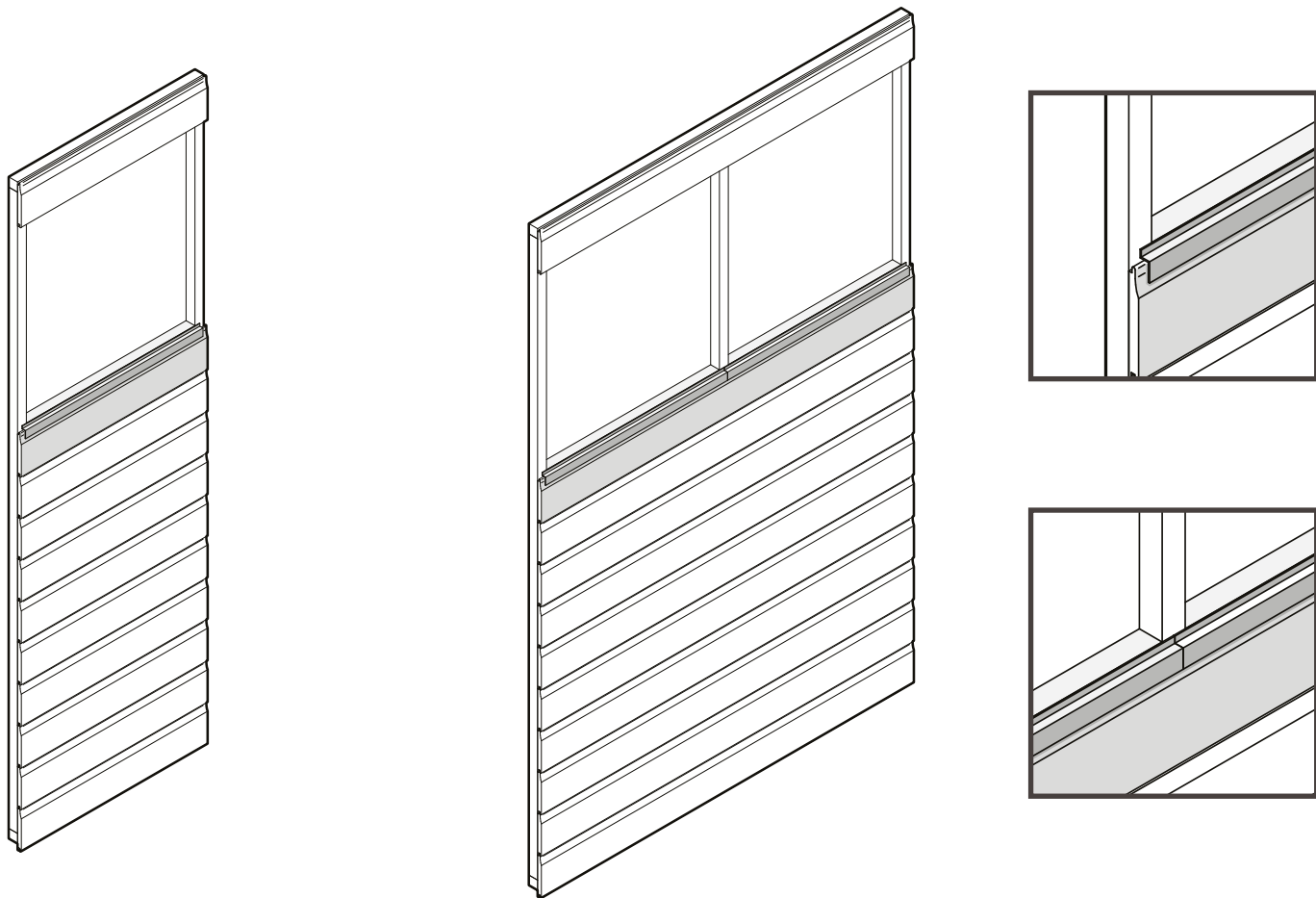


L-Brackets

4



# STEP 1: WINDOW SILL ASSEMBLY

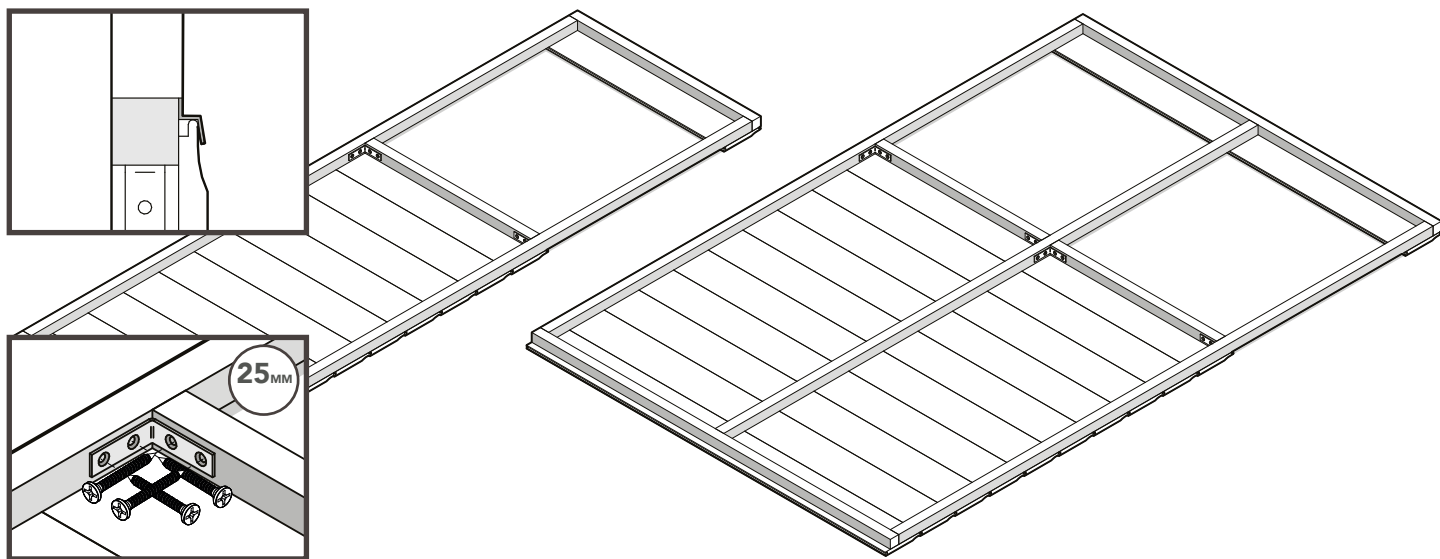


## TRIM & POSITION YOUR Z-STRIP(S)

Place the Z-Strip on top of the board

Ensure the Z-Strip sits across the window opening framework as shown above.

Mark out and trim the Z-Strip to the required size.

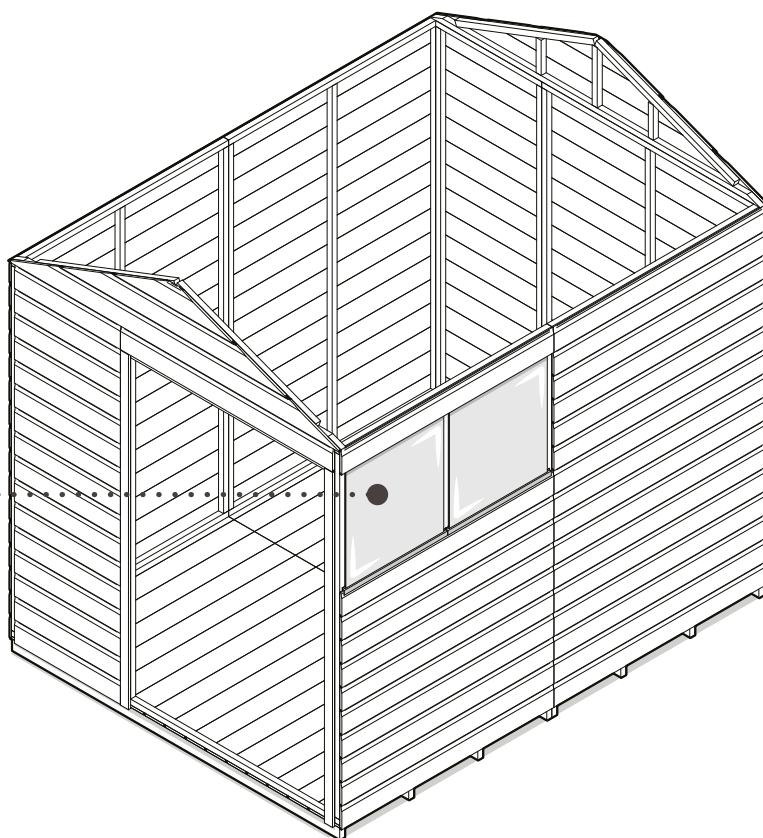
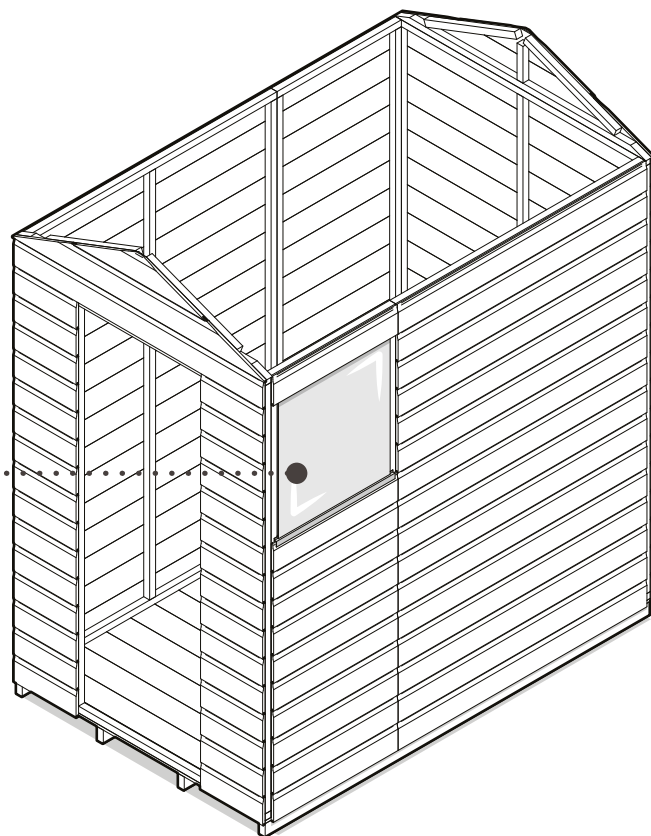
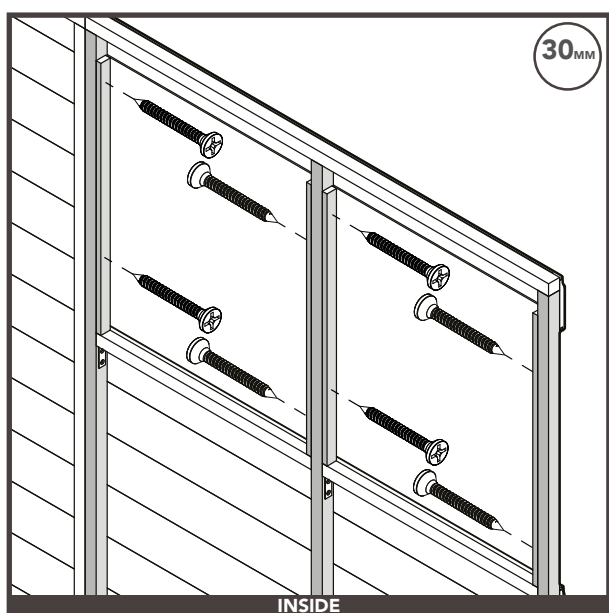
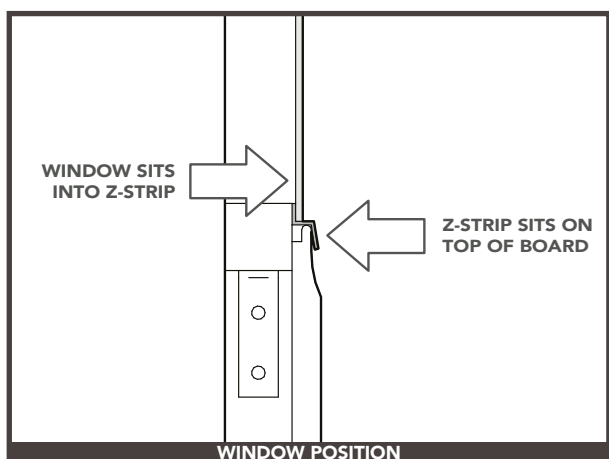
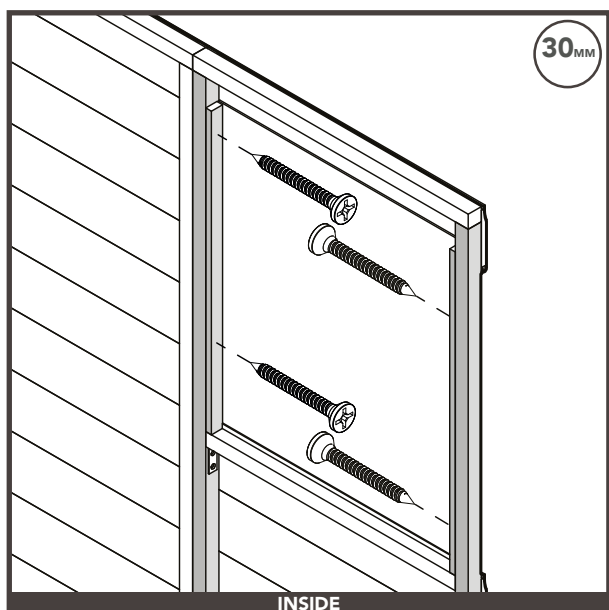


## WINDOW SILL(S)

Using the positioned Z-Strip(s), position the Window Sill(s) flush to the top of the Z-Strip. **Secure the Window Sill(s) using the L-Brackets to the Window Panel framework. Use 2 x L-Brackets per Window Sill.**

2ft Window panel window sill size (28x28x534mm), 3ft Window panel window sill size (28x28x400mm),  
4ft Window panel window sill size (28x28x548mm)

## STEP 2: WINDOW ASSEMBLY

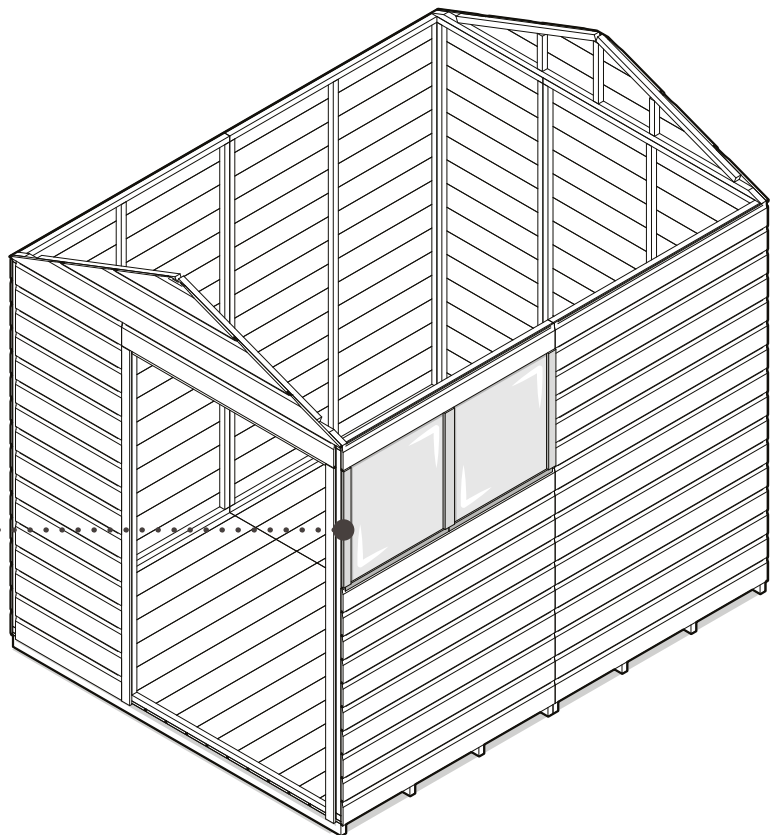
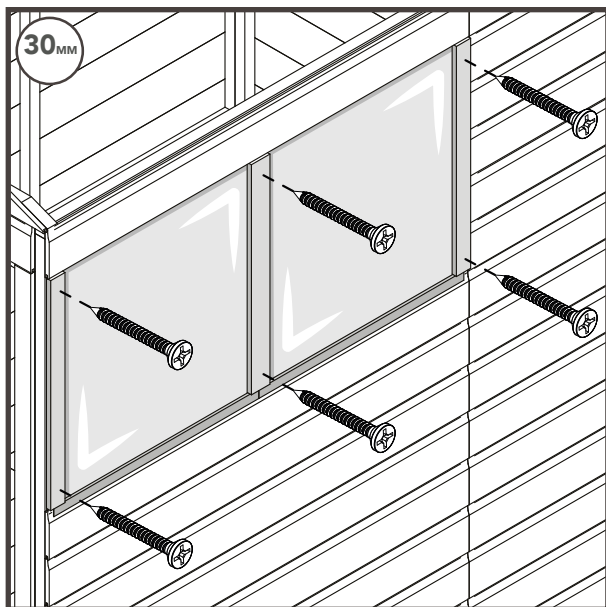
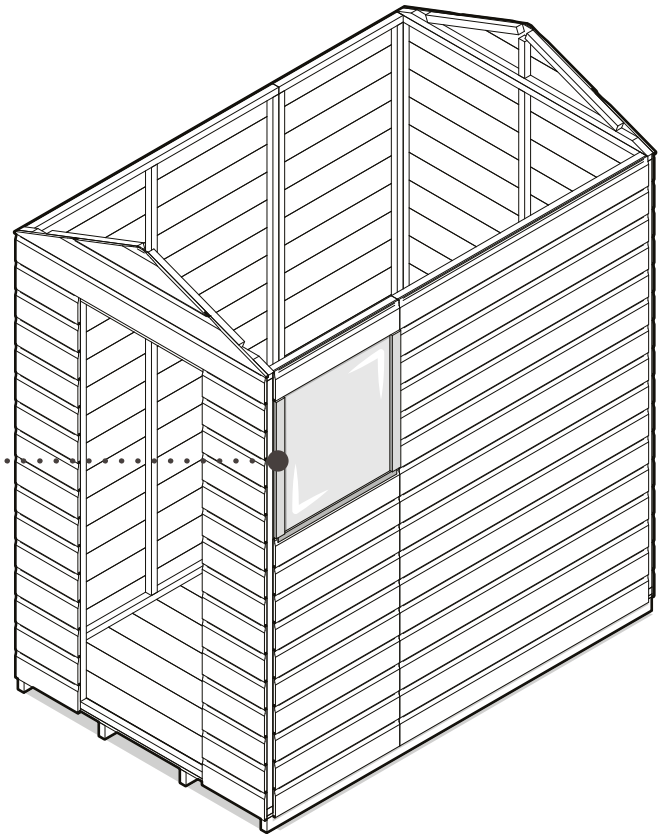
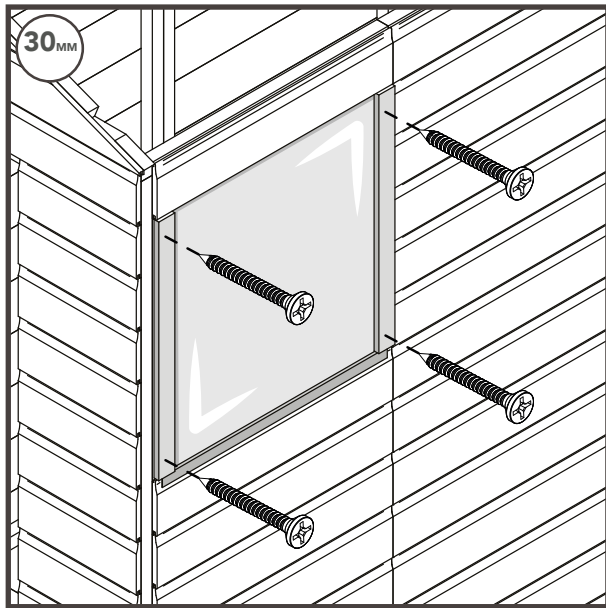


### WINDOW & INTERIOR WINDOW STRIPS

Position the Window onto the Z-Strip from the outside of your shed. The Window will be placed up against the top board the inside of your Window Panel. Peel your protective film off the Window. Position and secure the Interior Window Strips whilst positioning the Window to ensure the Window is secured in place. Repeat the process for multiple Windows.

Interior window strip size (24x12x600mm)

## STEP 3: WINDOW COVER STRIPS



### SECURE WINDOW COVER STRIPS

Position and secure the Window Cover Strips to the Window Panel framework. The double Window Panel will have a wider cover strip for the centre of the Window Panel as shown above. These will further hold the Window(s) in place.

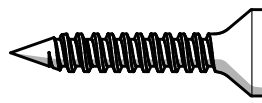


# SHED

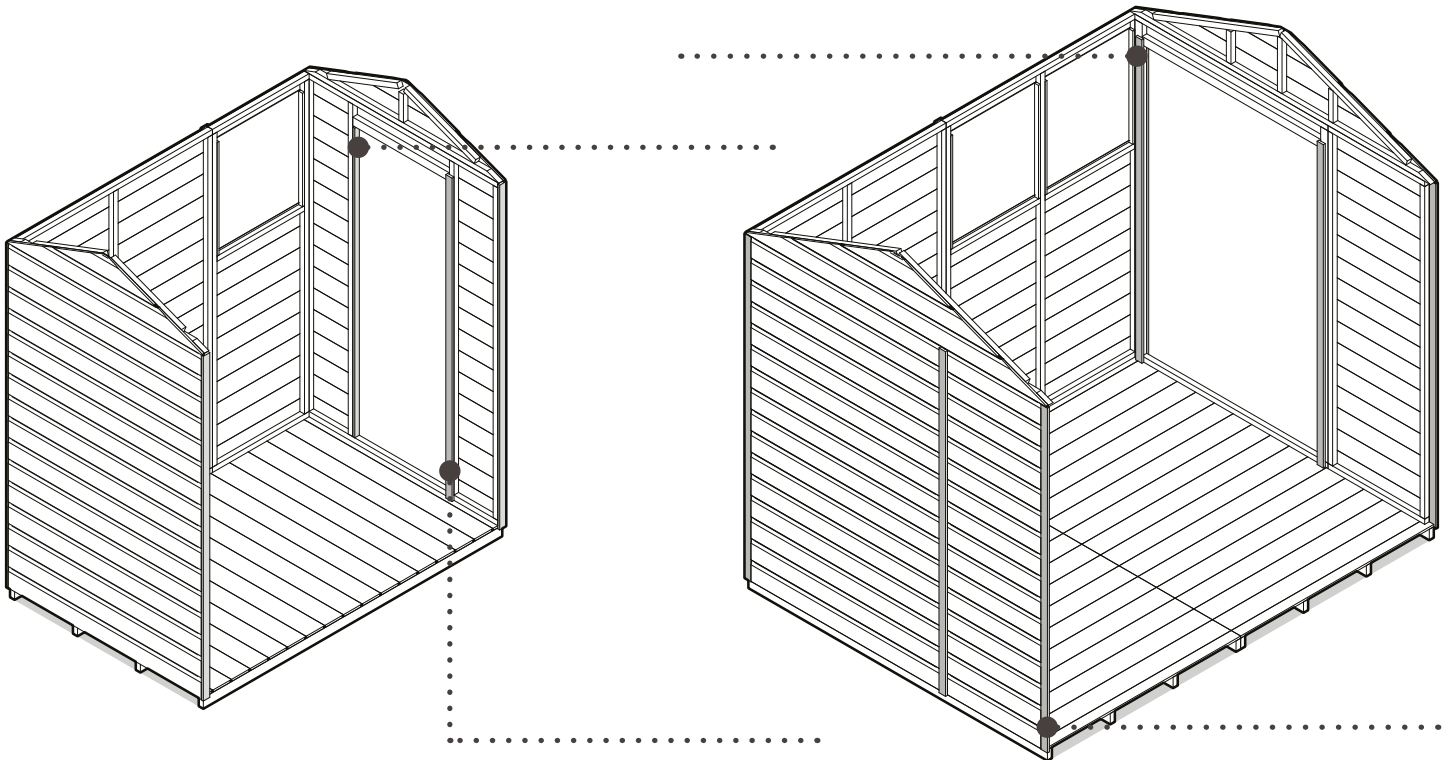
## FIXING PACK CONTAINS:

FIXING PACK CODE: SHEDSTRIPSFP

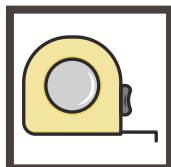
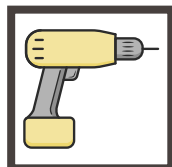
You may receive more than one of the same fixing pack to provide enough screws for the larger shed sizes.



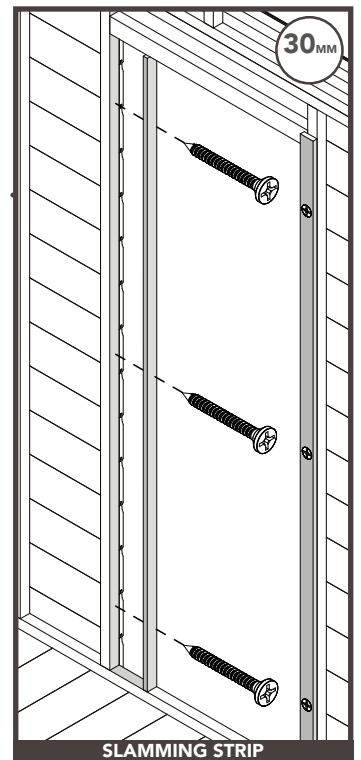
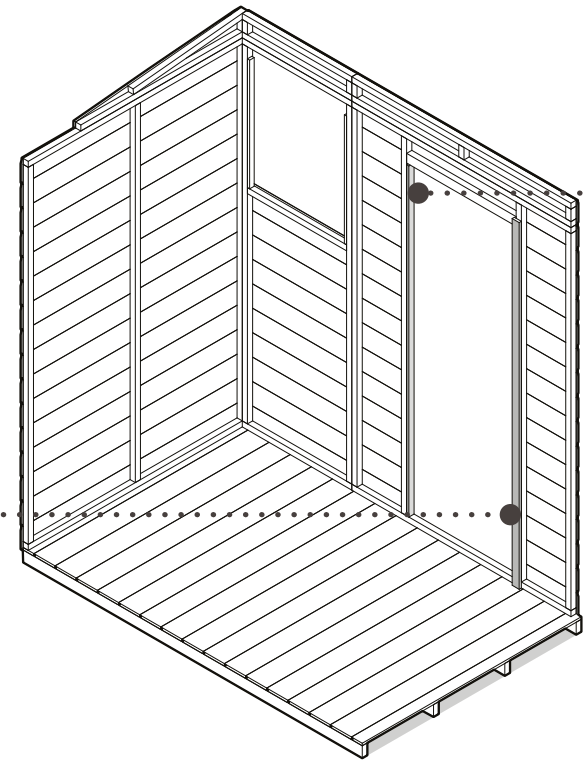
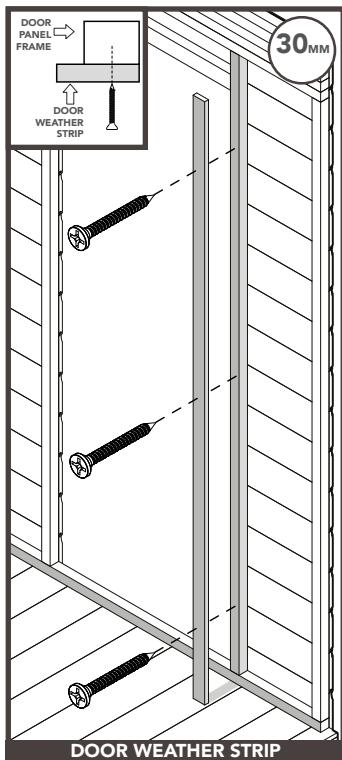
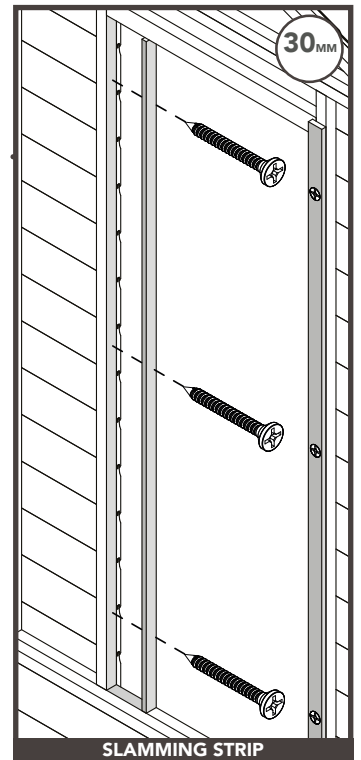
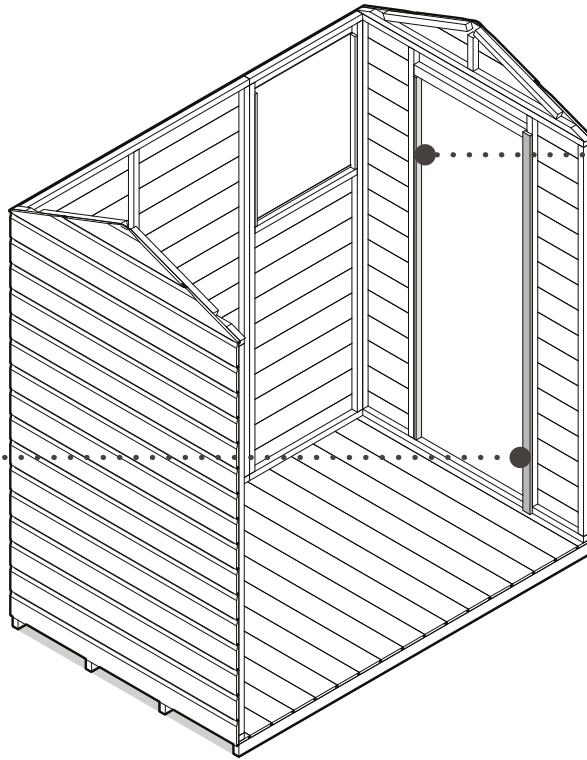
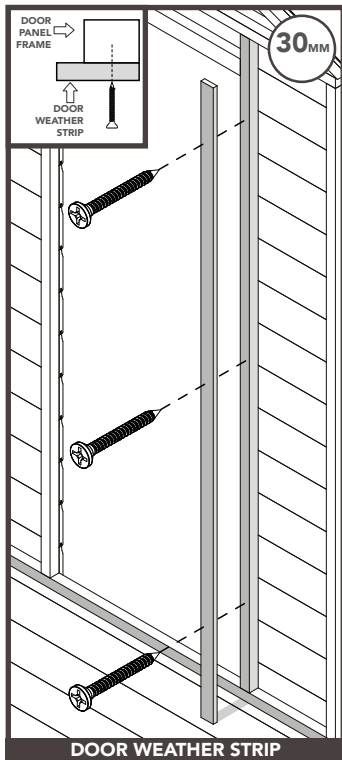
30mm  
30



side you want the hinges to  
be installed



# STEP 1: DOOR STRIPS



## DOOR WEATHER STRIP

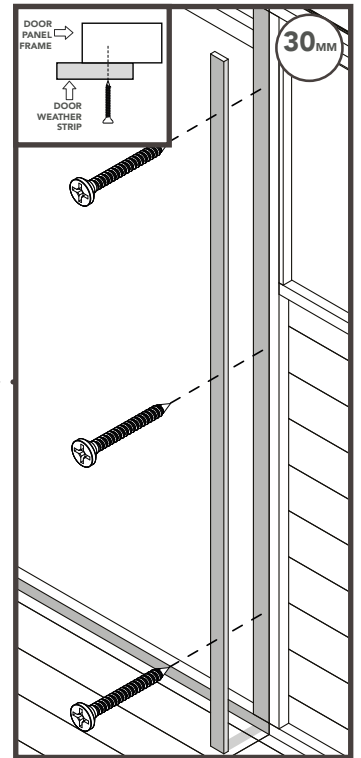
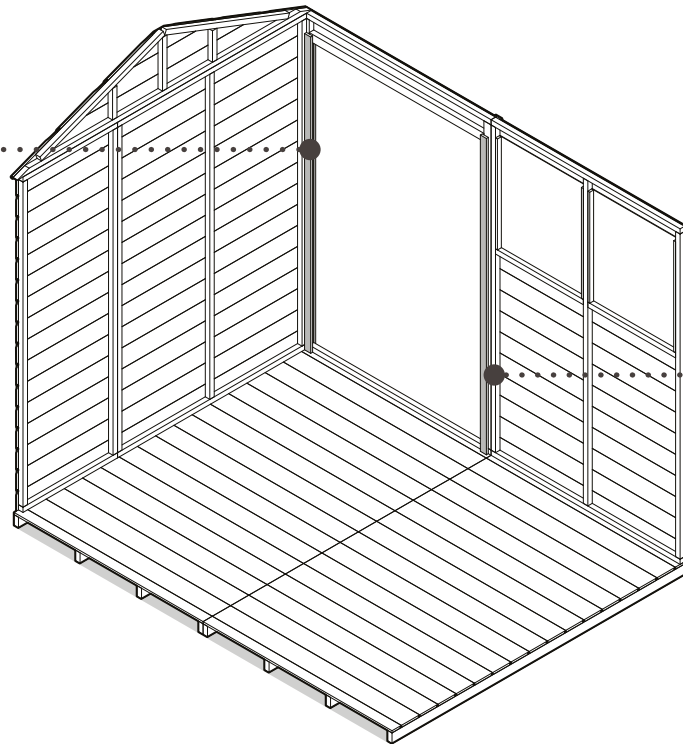
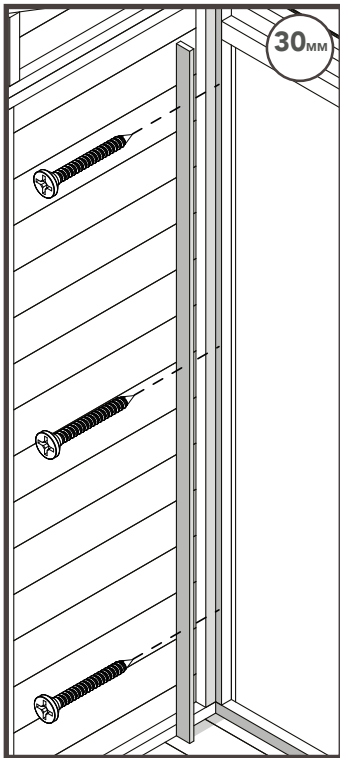
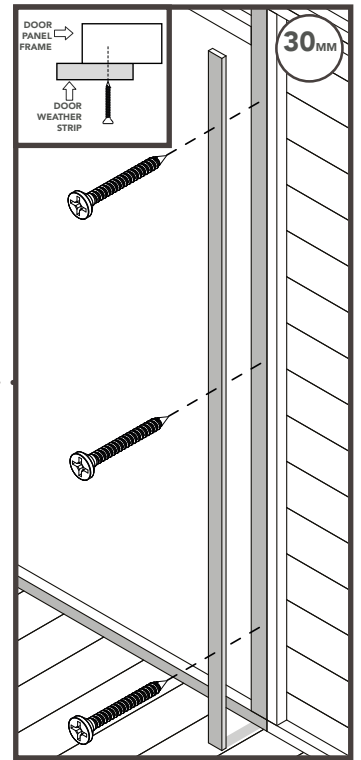
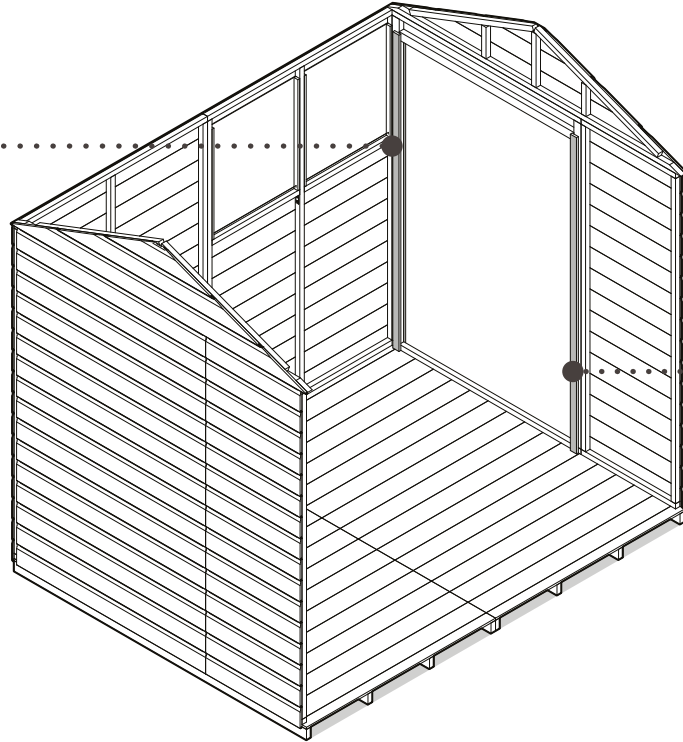
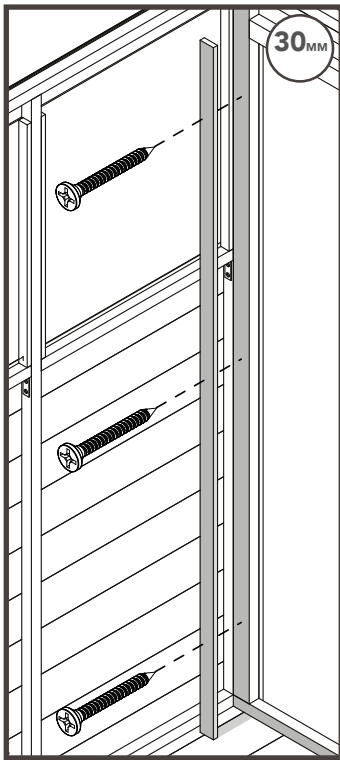
Secure the Door Weather Strip to the side you want the hinges, and ensure it is flush to the Floor and against the face of the Door Panel framework. Ensure there is approximately a 10mm overhang into the door opening.

Door weather strip size (38x12x1710mm)

## SLAMMING STRIP

Secure the Slamming Strip opening as shown above. This will be on the opposite side you want the hinges.

Slamming strip size (28x12x1637mm)

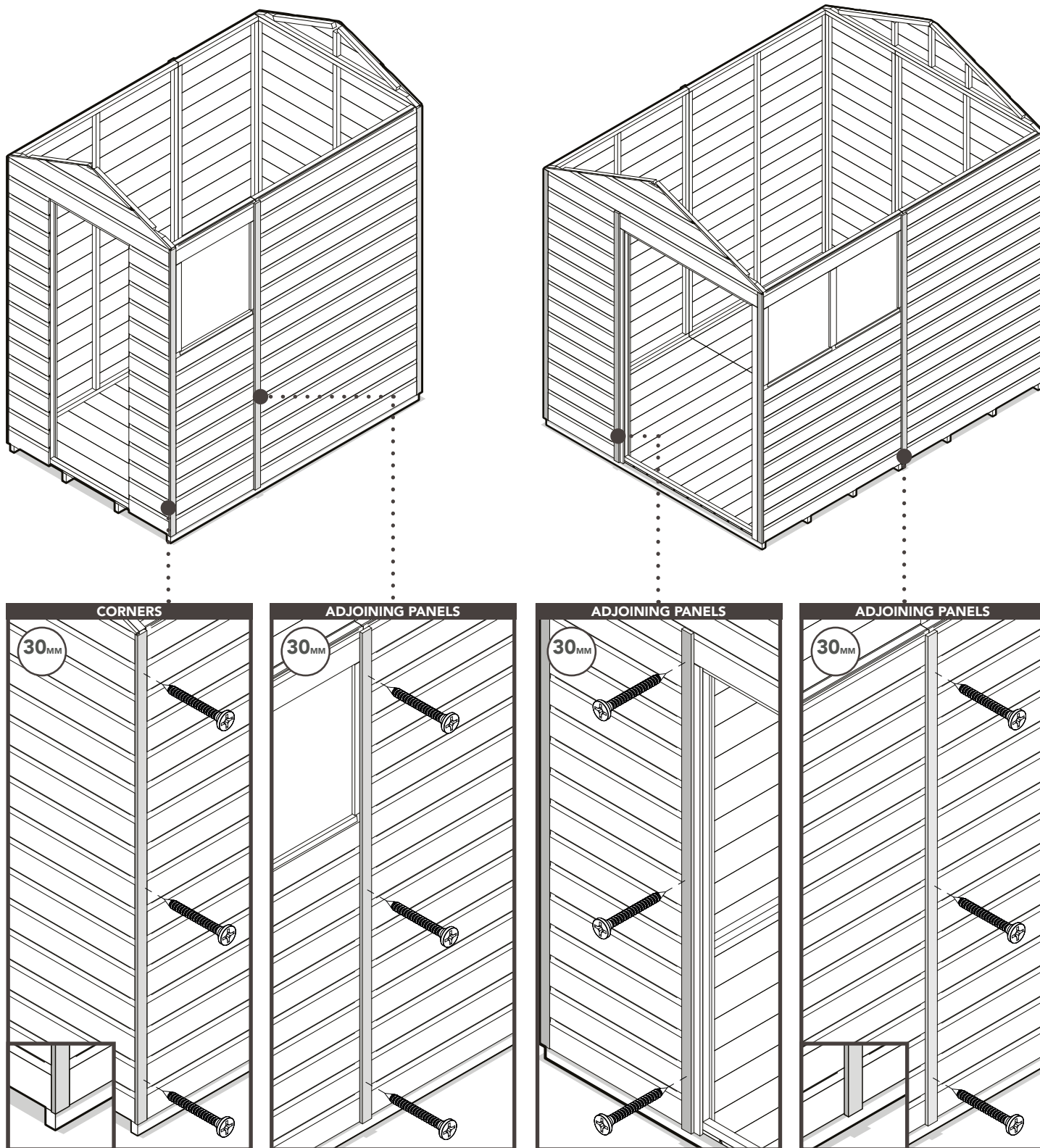


## DOOR WEATHER STRIPS

Secure the Door Weather Strips to the Door Panels framework, and ensure they are flush to the Floor and against the face of the Door Panel framework. Ensure there is approximately a 10mm overhang into the door opening. If due to the panel configuration, your Door Panel framework is partly hidden, secure the Door Weather Strip to the visible framework as shown above.

Door weather strip size (38x12x1710mm)

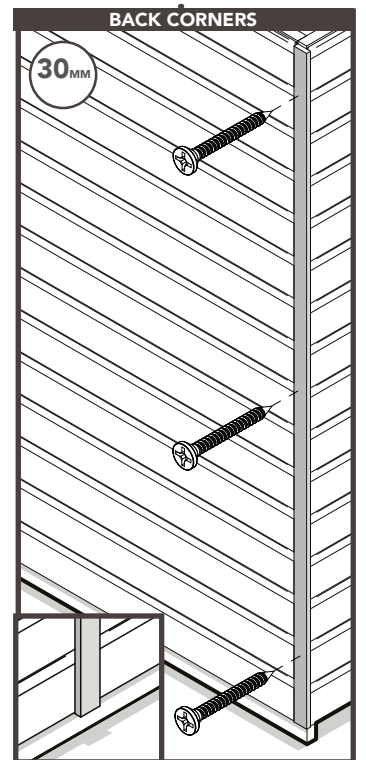
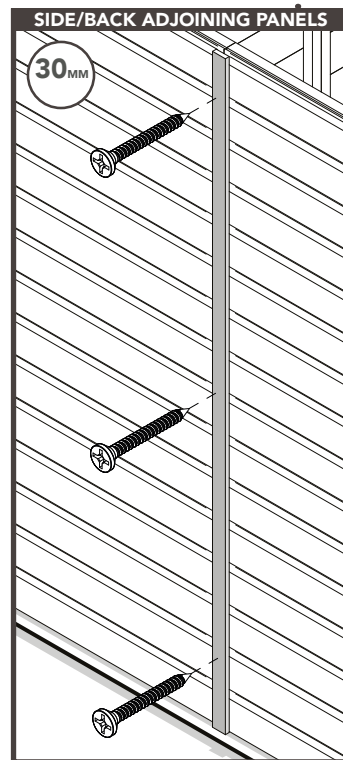
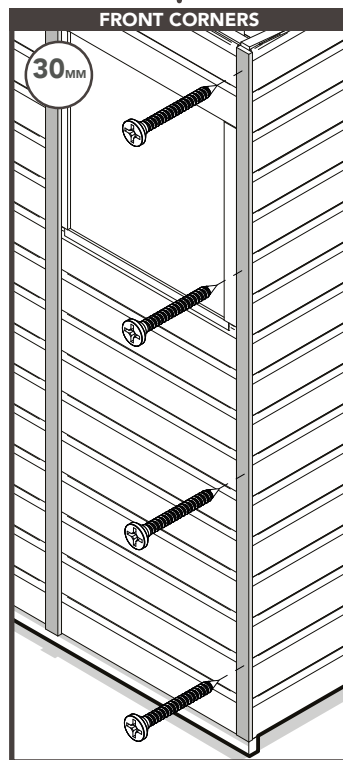
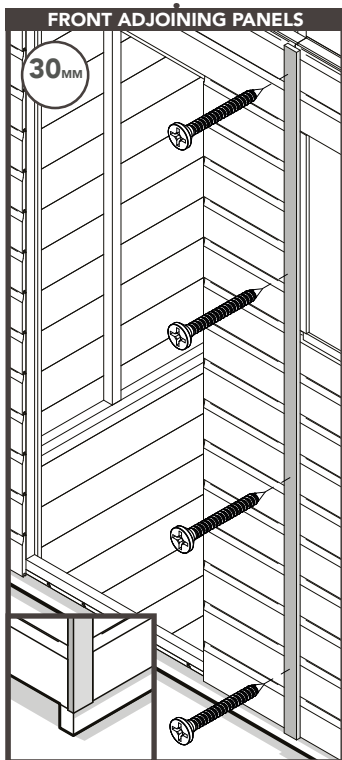
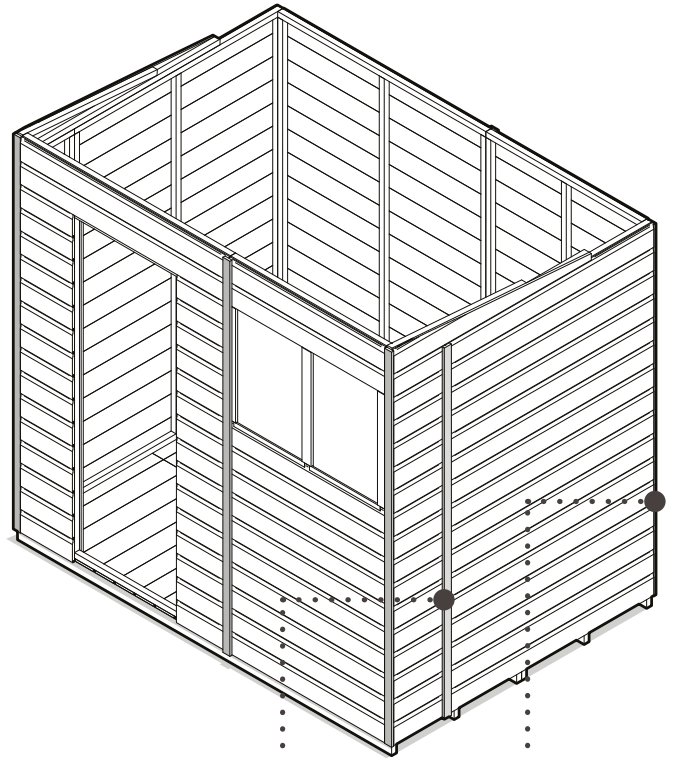
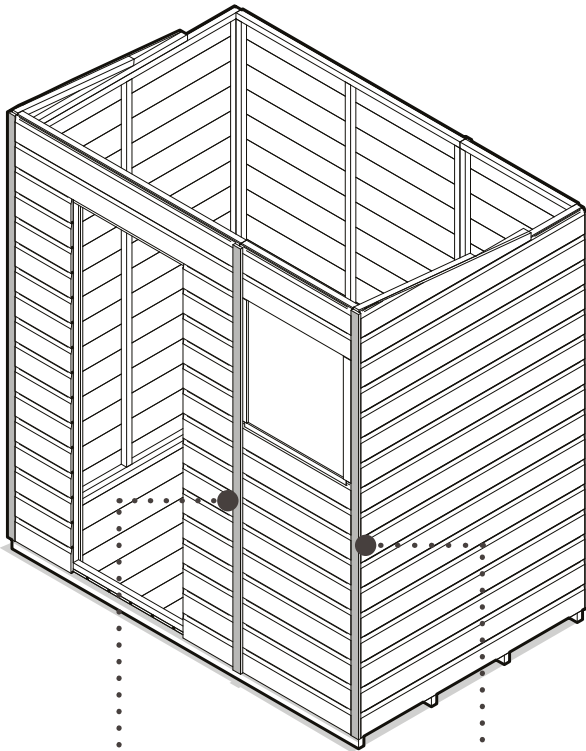
## STEP 2: COVER STRIPS



### COVER STRIPS

Secure the Cover Strips to the corners and adjoining panels. Ensure they are flush to the bottom edge of the panels. Make sure to secure the Cover Strips to the framework behind and not into the joins of the panels.

Cover strips size (1823mm)

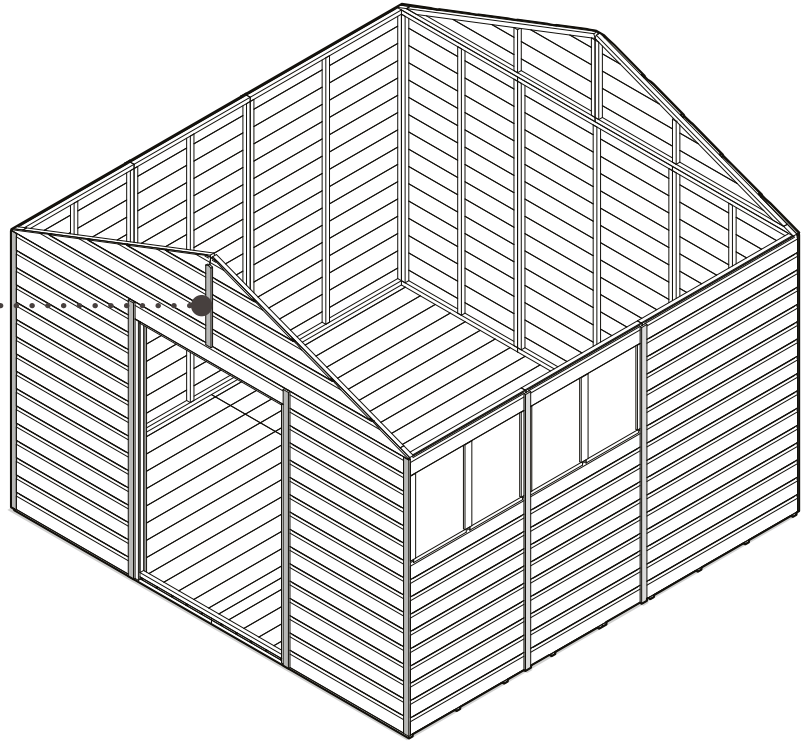
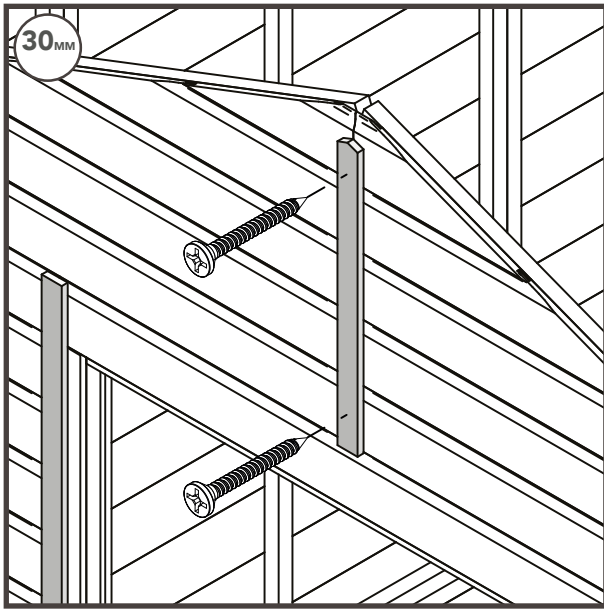


## COVER STRIPS

Secure the Cover Strips to the corners and adjoining panels. Ensure they are flush to the bottom edge of the panels. Make sure to secure the Cover Strips to the framework behind and not into the joins of the panels. The Front Cover Strips are longer than the Side/Back Cover Strips.

Front Cover strips size (1940mm), Side/Back Cover strips size (1823mm)

## STEP 3: WORKSHOP APEX COVER STRIPS



### WORKSHOP APEX COVER STRIPS

Position and secure the Apex Cover Strips to Apex Sections. Ensure they are flush to the bottom edge of the board on the Apex Sections. Make sure to **secure the Apex Cover Strips to the framework behind and not into the joins of the Apex Sections.**

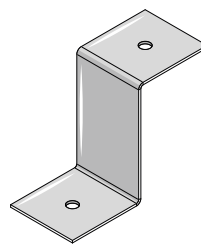
# SHED

## FIXING PACK CONTAINS:

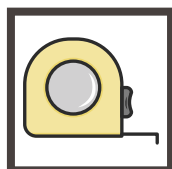
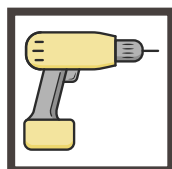
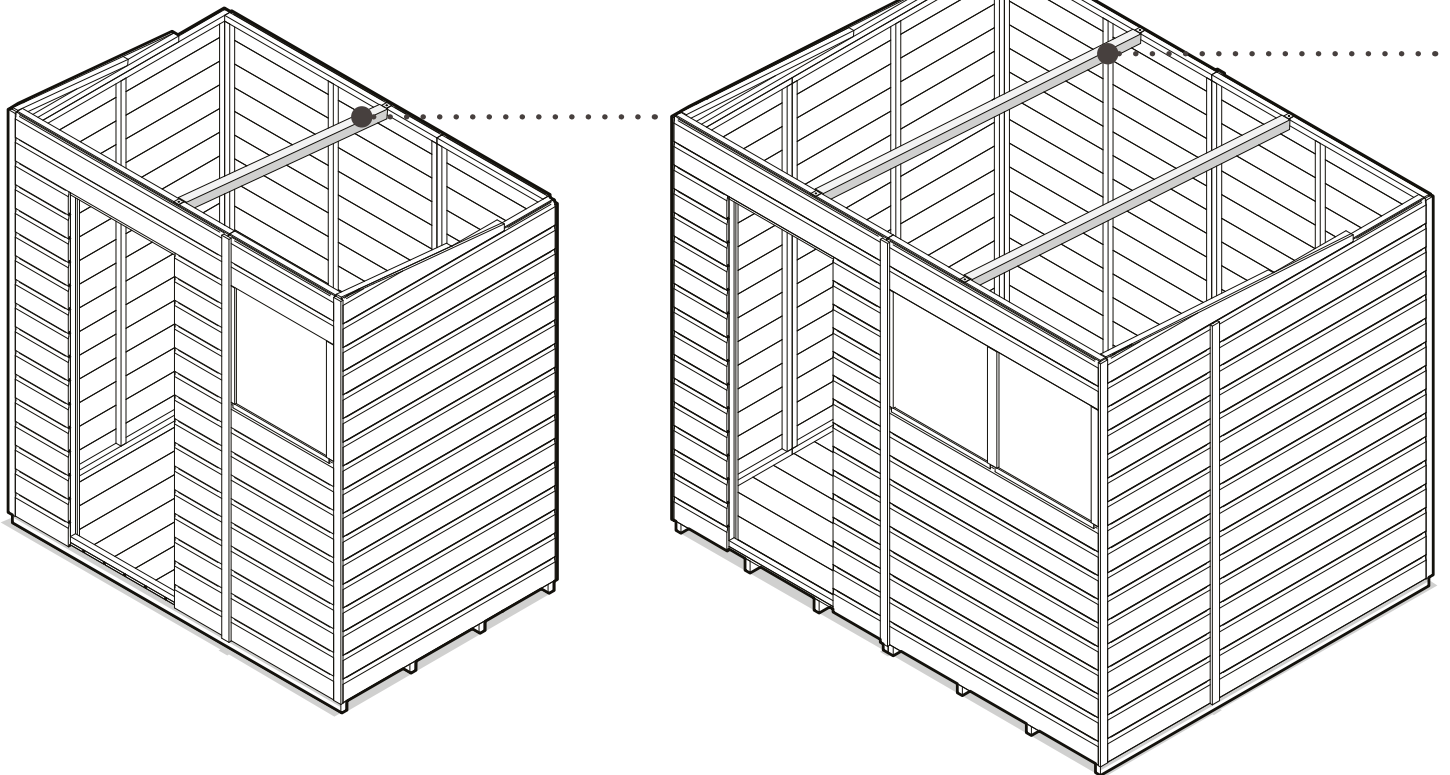
FIXING PACK CODE: SHEDPENTBEAMSFP



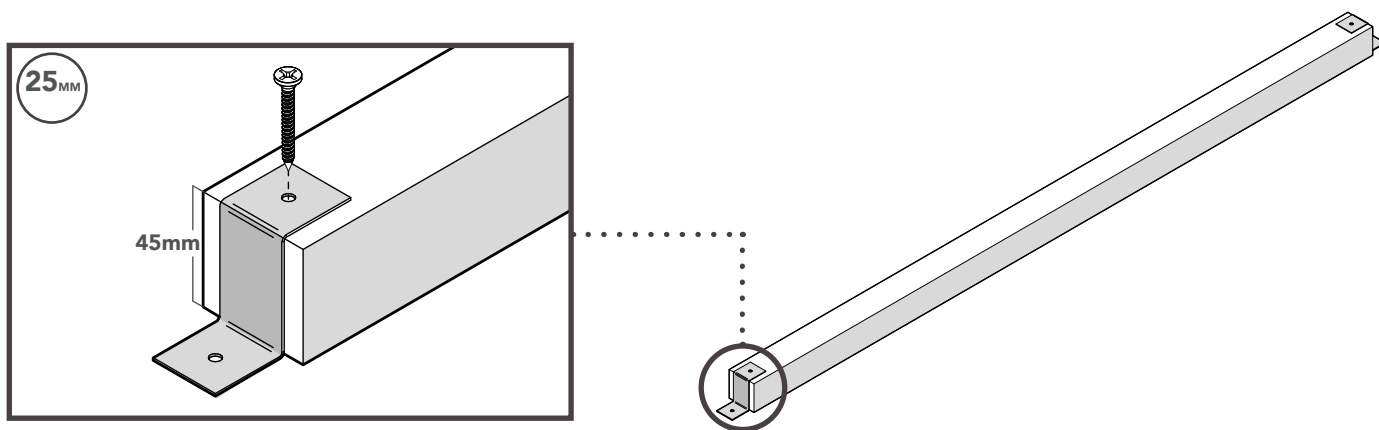
25mm  
8



Z-Brackets  
4



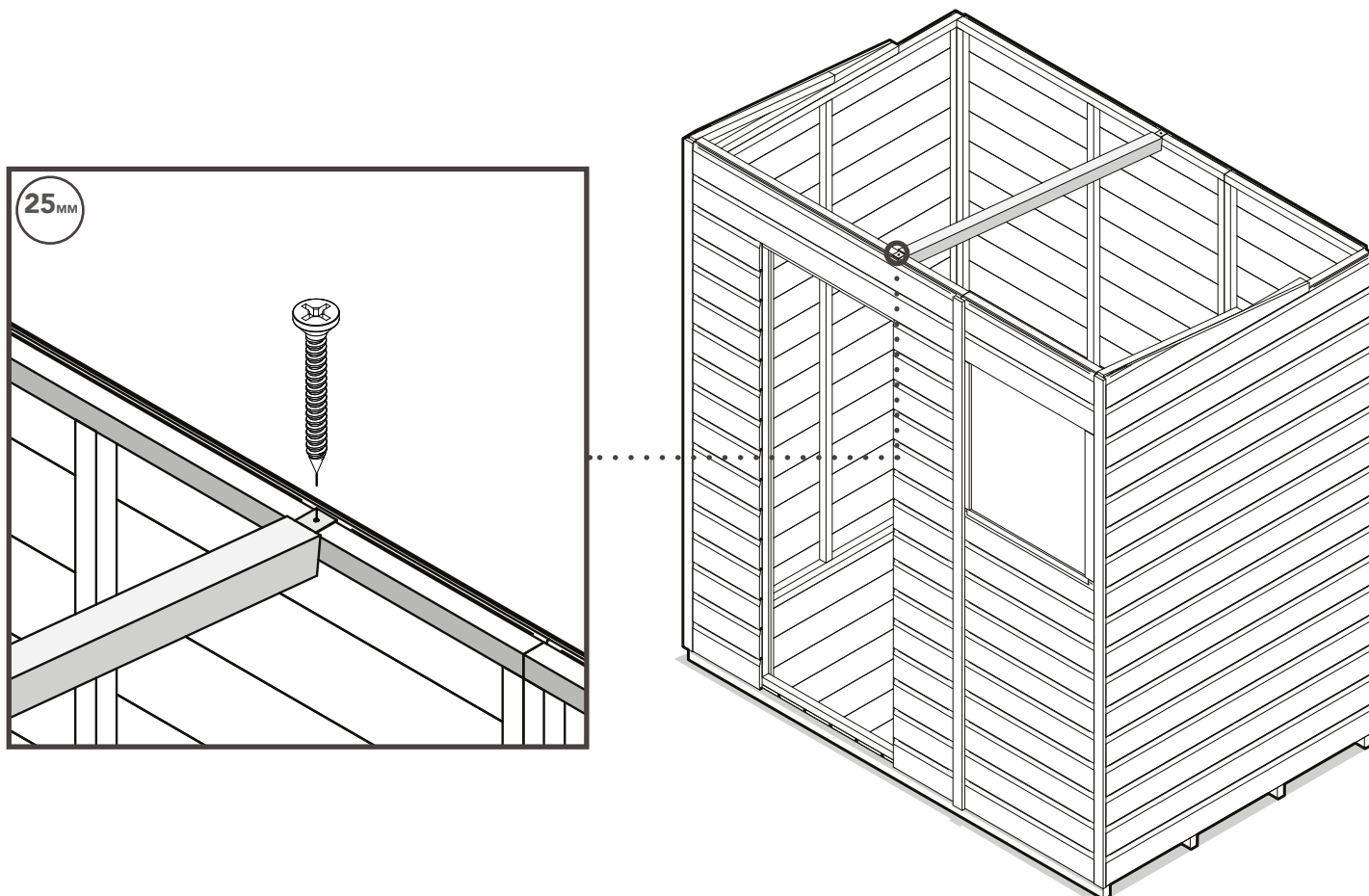
## STEP 1: Z-BRACKETS PREPARATION



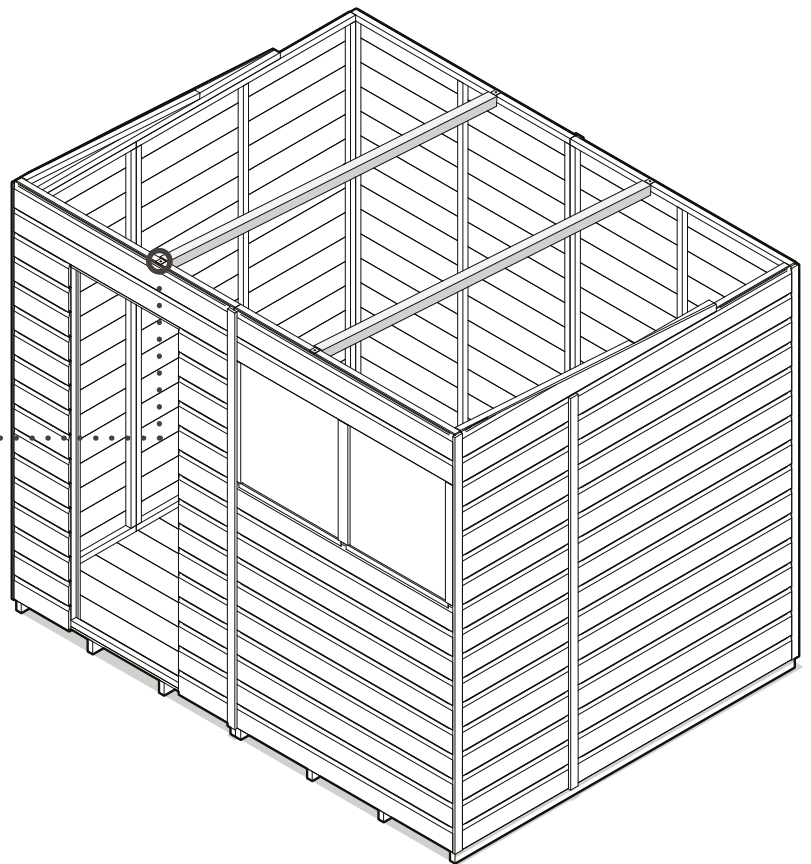
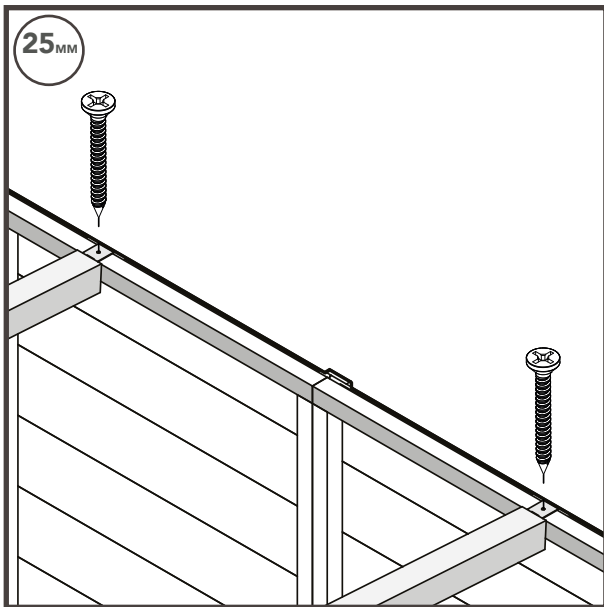
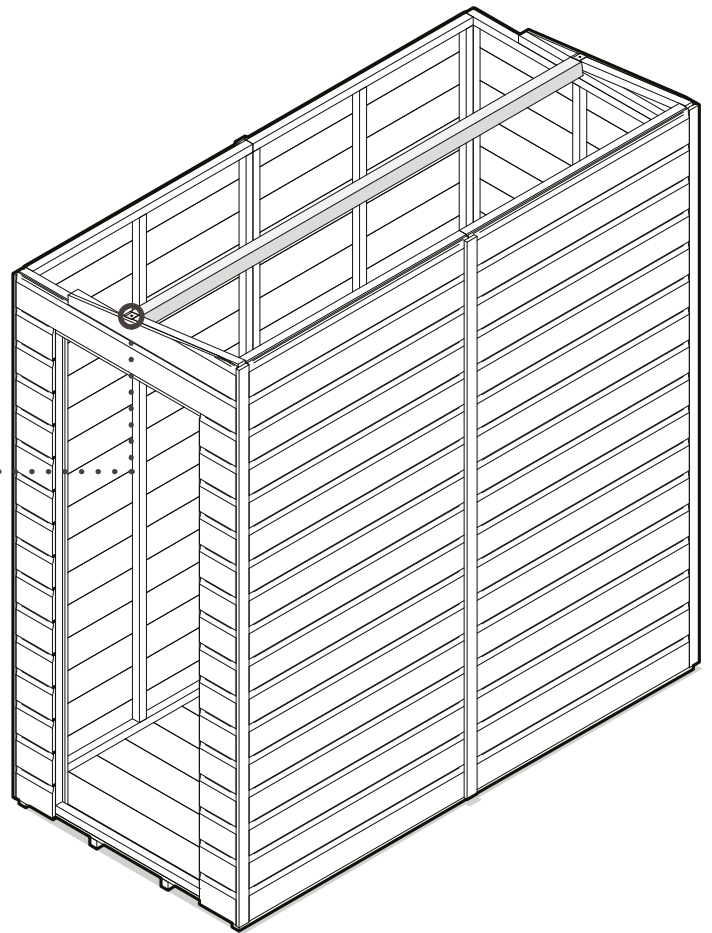
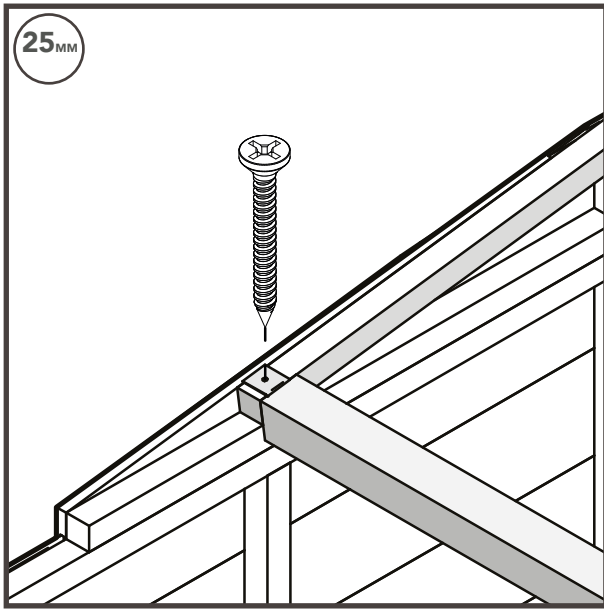
### Z-BRACKETS

Position and secure the Z-brackets to both ends on your Roof Beam(s)  
The Roof Beam should be flush to the Z-bracket.

## STEP 2: ROOF BEAM(S) ASSEMBLY







## ROOF BEAM(S)

Position and secure the Z-brackets to the Side Panels and Infill Panels framework.

For the sheds with the **single Roof Beam**, position your Roof Beam in the centre

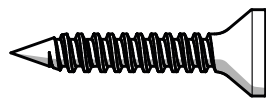
For the sheds with **two Roof Beams**, space your Roof Beams out evenly in your shed as shown above.

# SHED

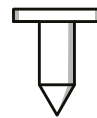
## FIXING PACK CONTAINS:

FIXING PACK CODE: OSBSHEDROOFFP

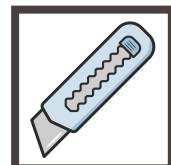
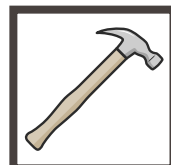
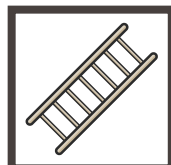
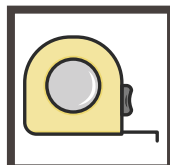
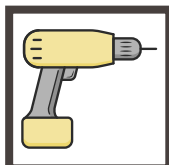
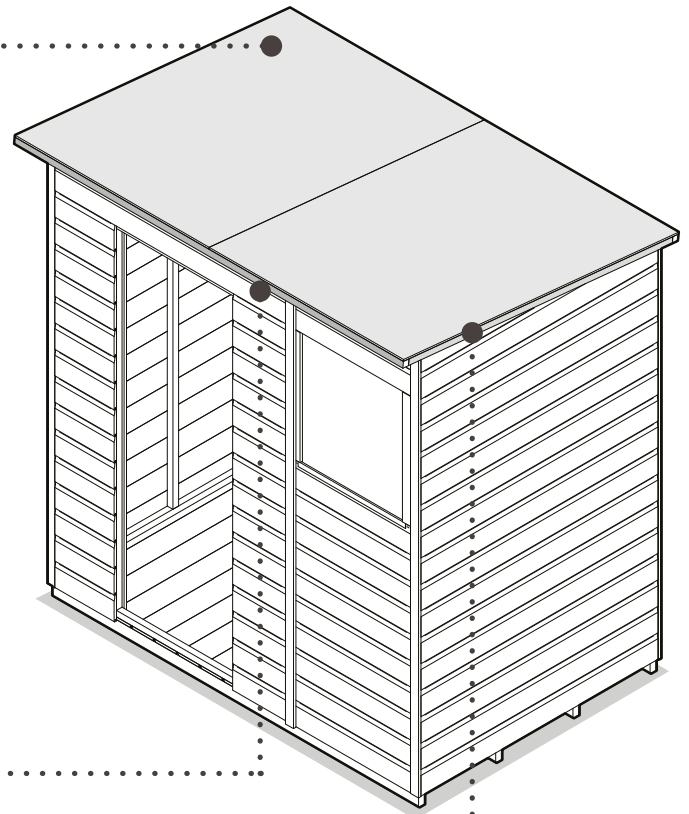
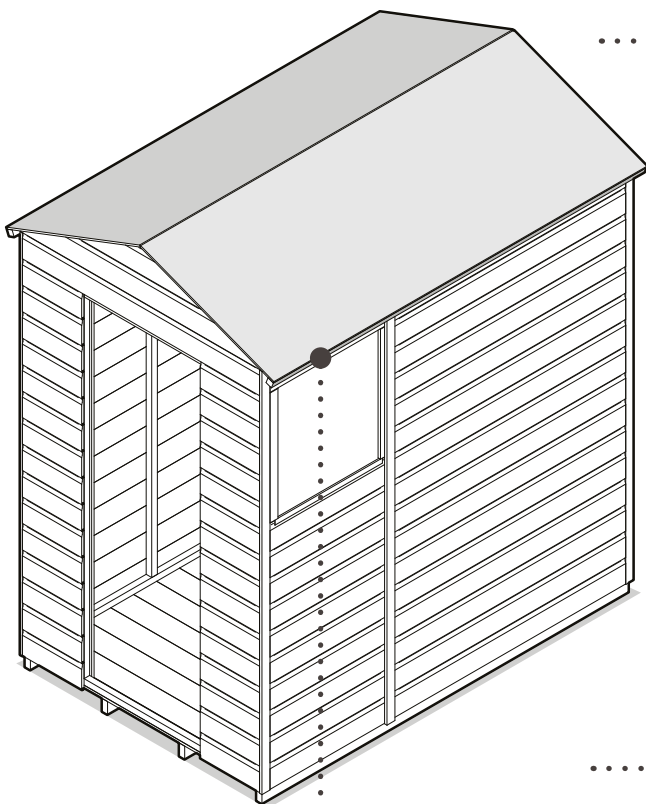
You may receive more than one of the same fixing pack to provide enough screws and felt tacks for the larger shed sizes.



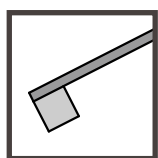
30mm  
60



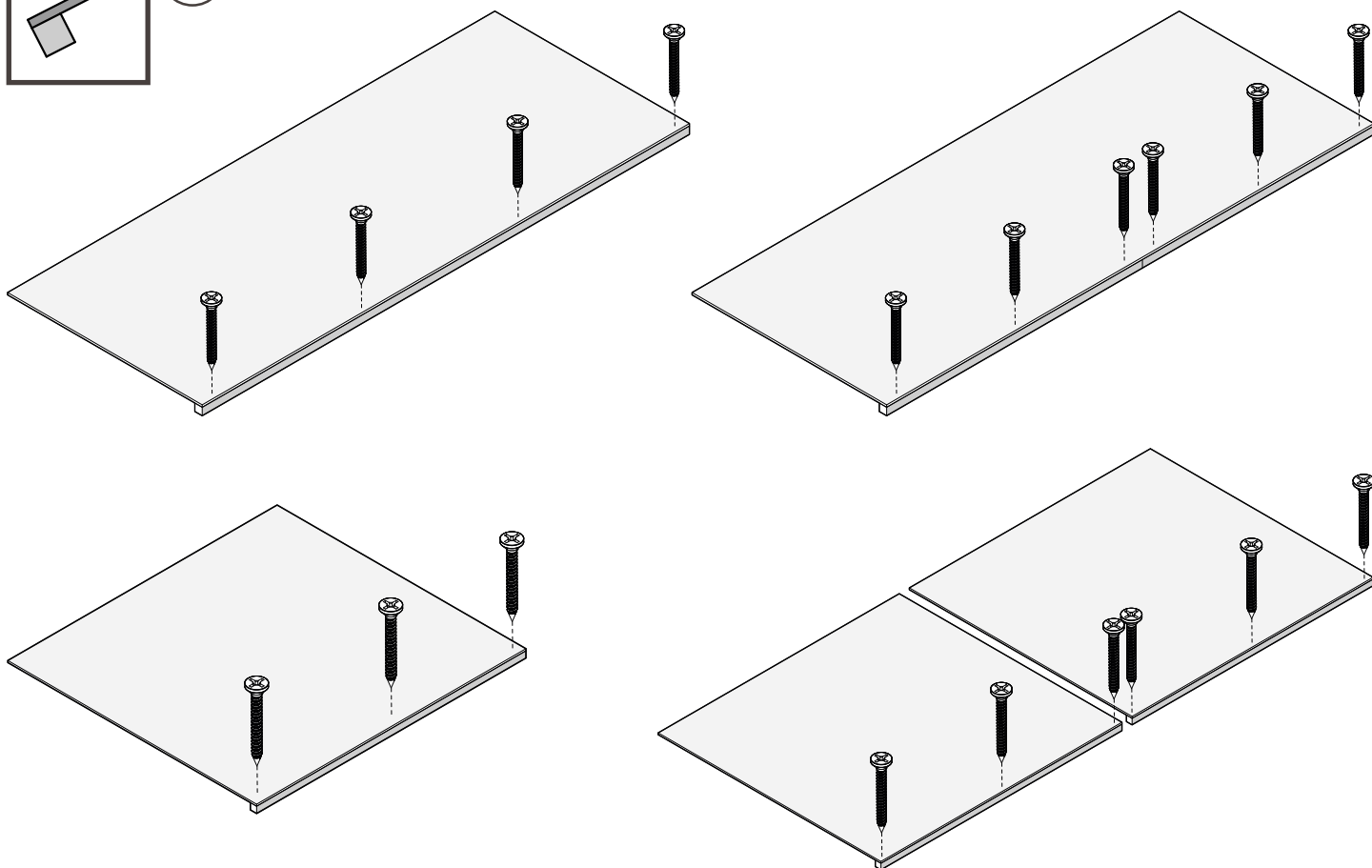
Tacks  
145



# STEP 1: OSB ROOF SHEETS & ROOF STRIPS



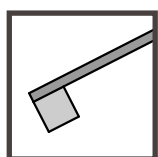
30MM



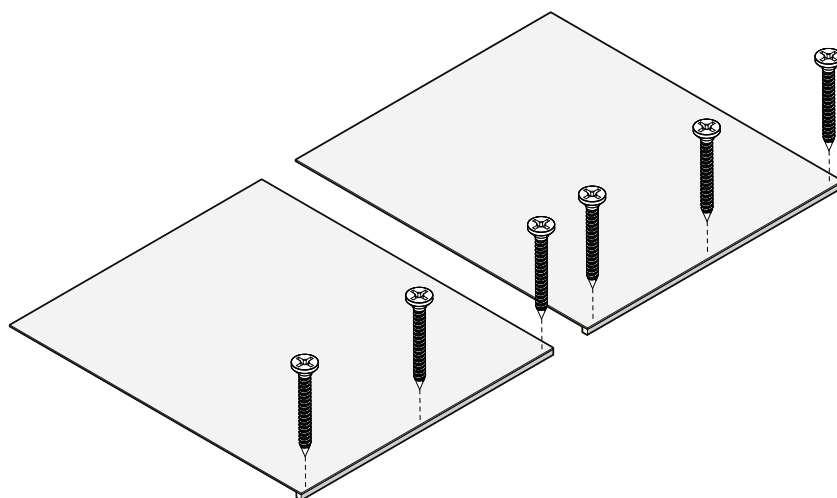
## OSB ROOF SHEETS & ROOF STRIPS

### Position and secure the Roof Strip(s)

length as the OSB sheet edge. Ensure the Roof Strips are flush to the OSB Roof Sheet edge. Repeat the process for multiple sheets.

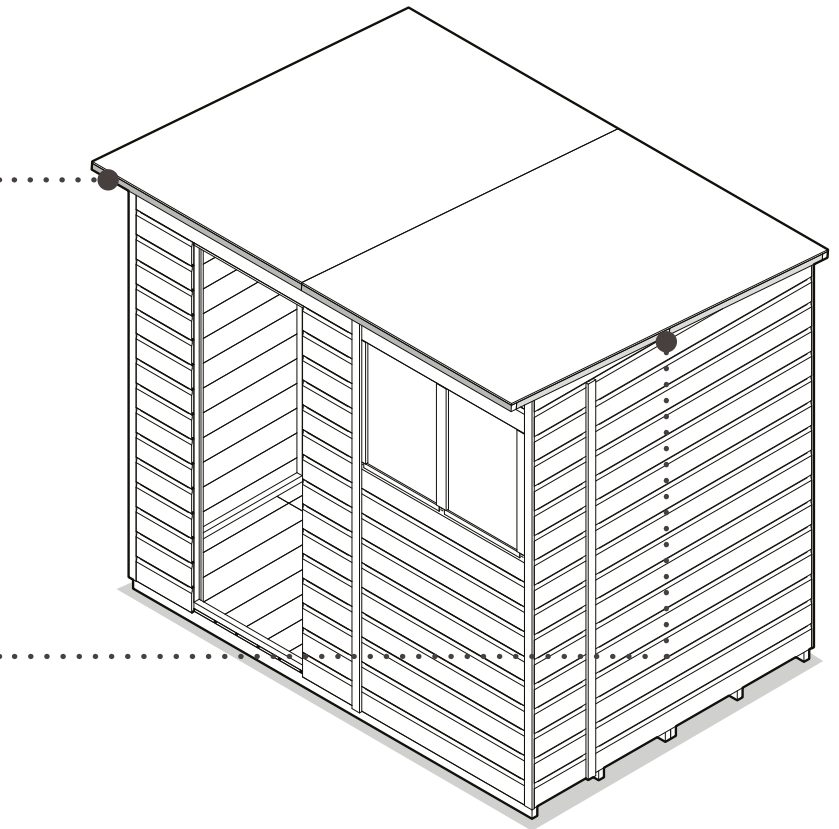
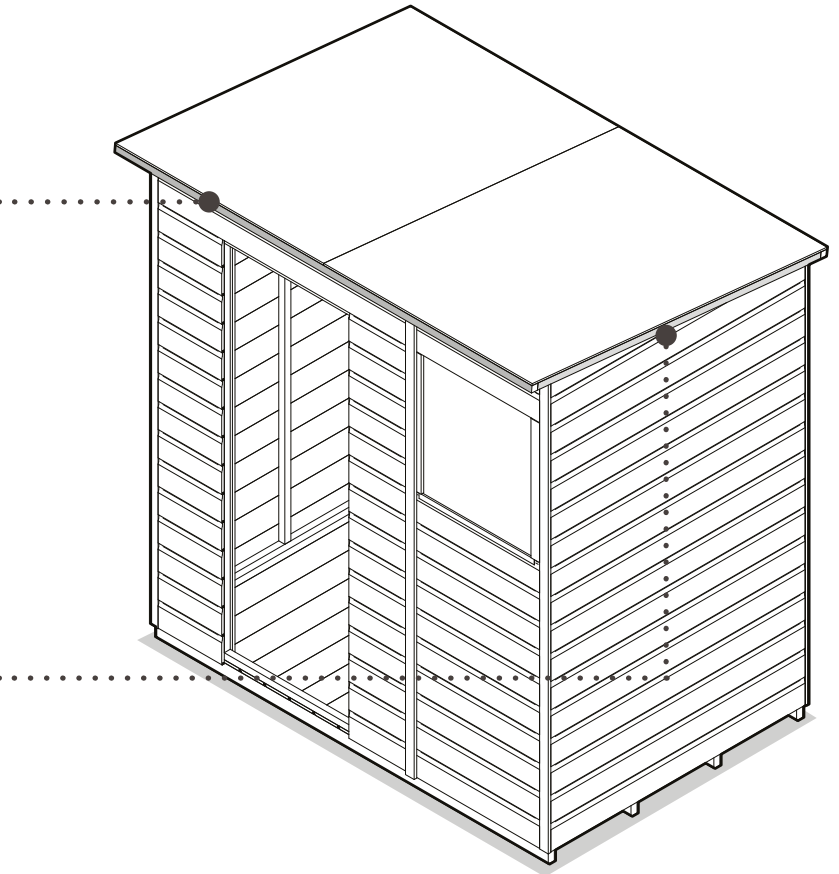
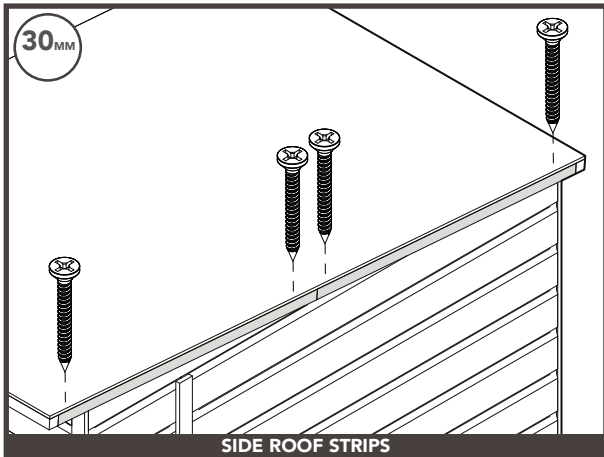
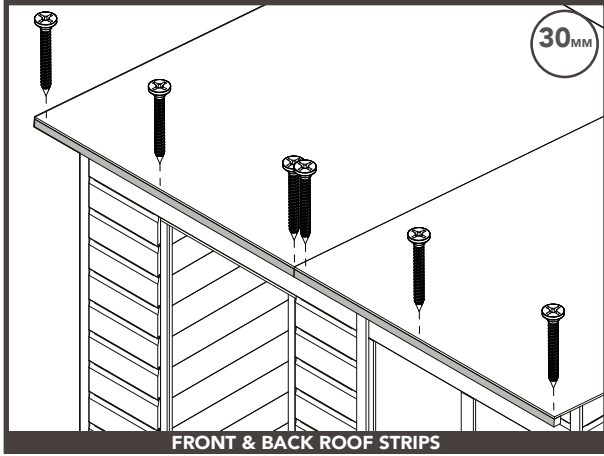
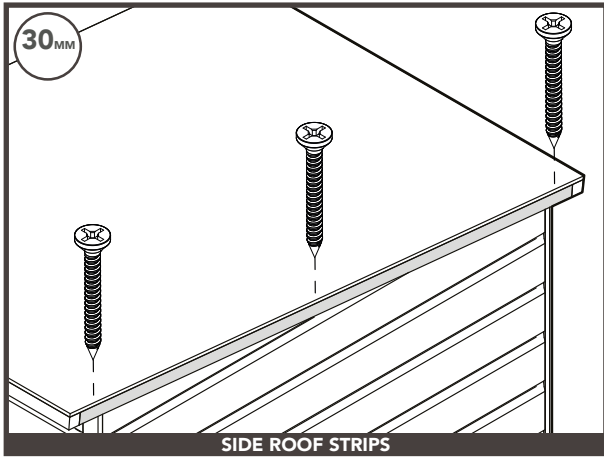
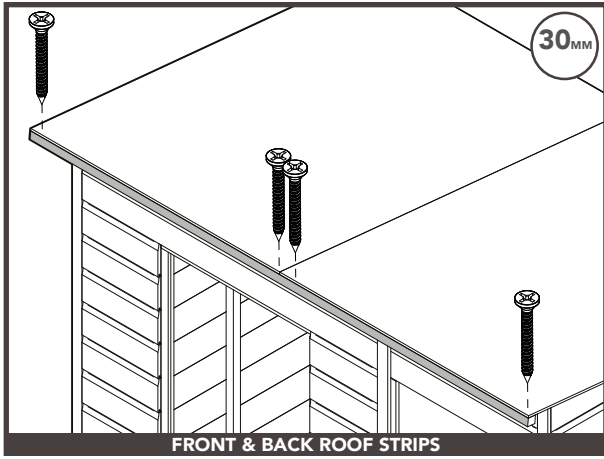


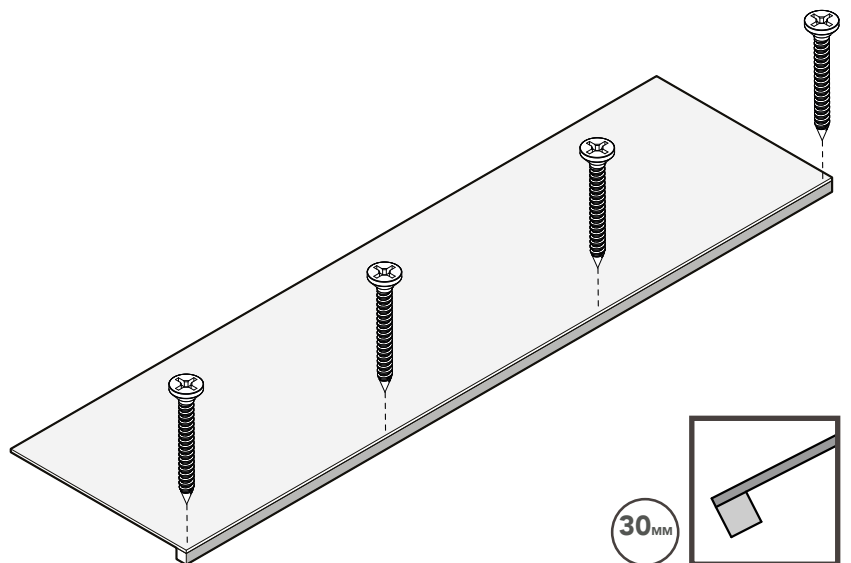
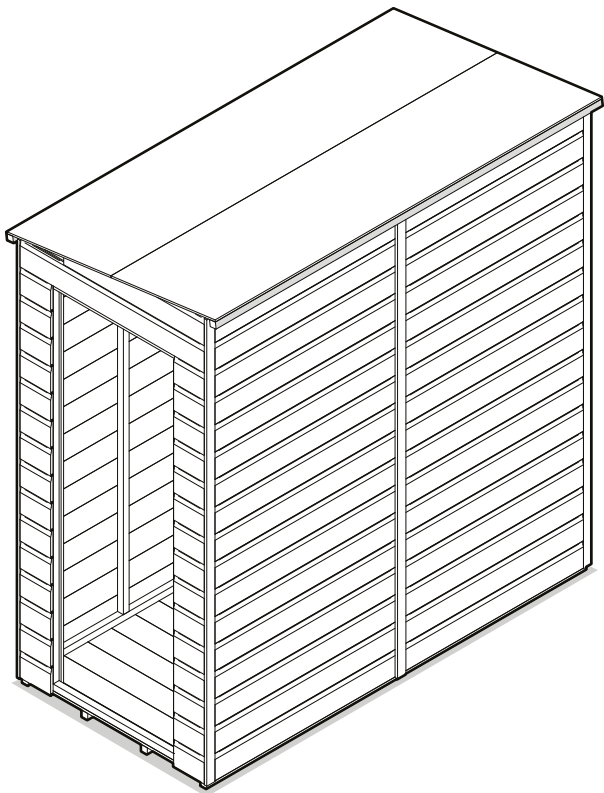
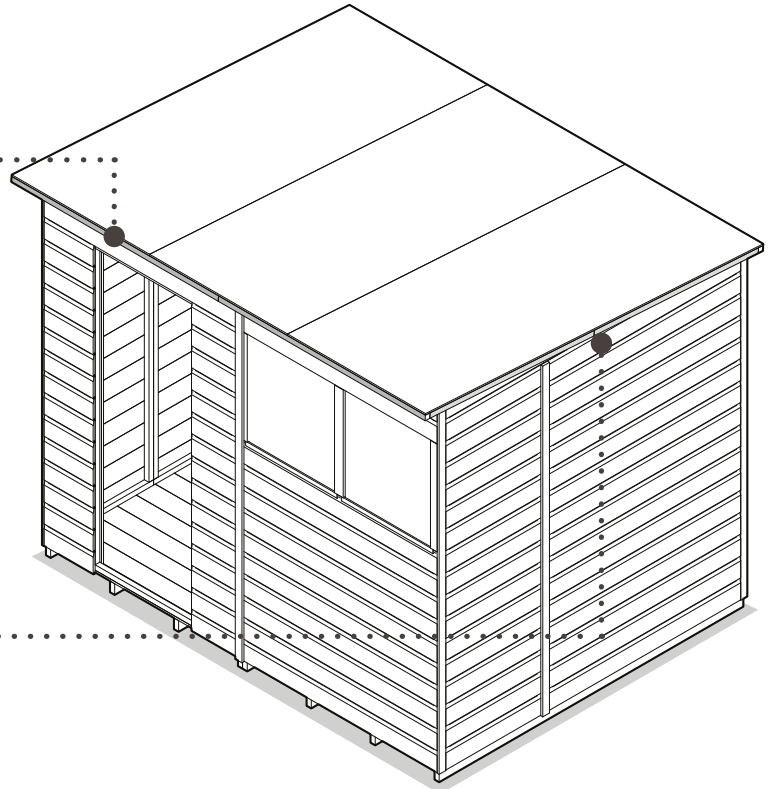
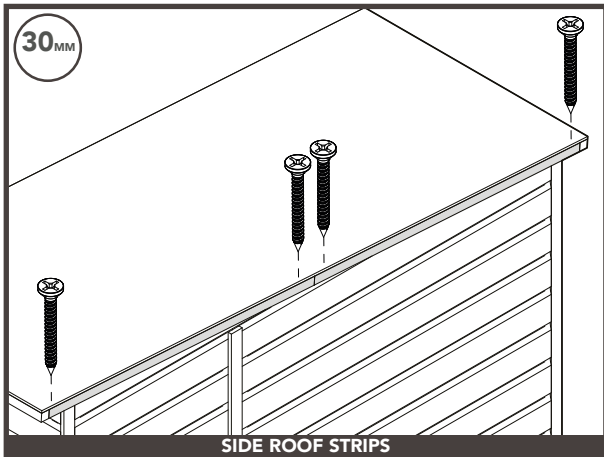
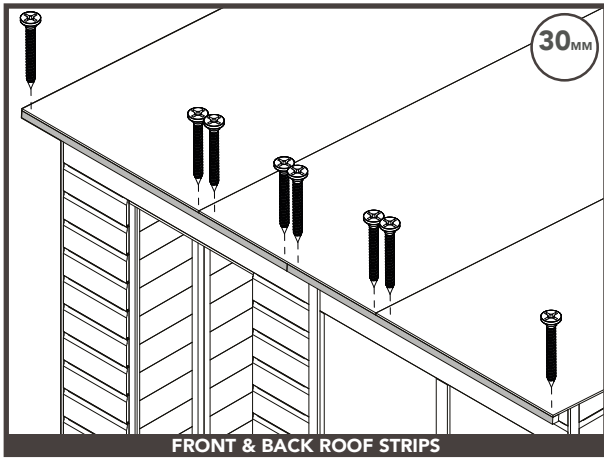
30MM



## 10x15 & 10x20 OSB ROOF SHEETS & ROOF STRIPS

The 10x15 and 10x20 workshops have two different OSB Roof Sheet sizes and Roof Strips sizes.

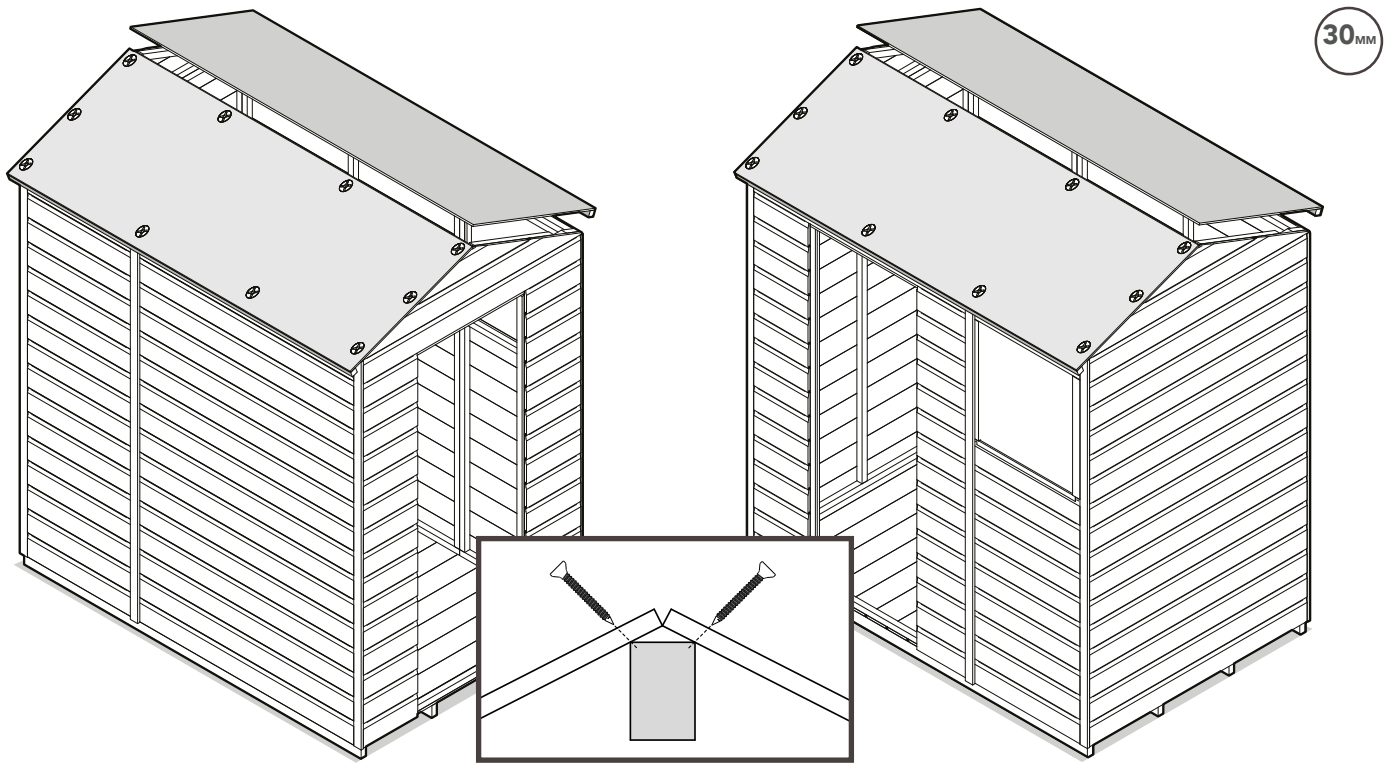




### PENT ROOF STRIPS

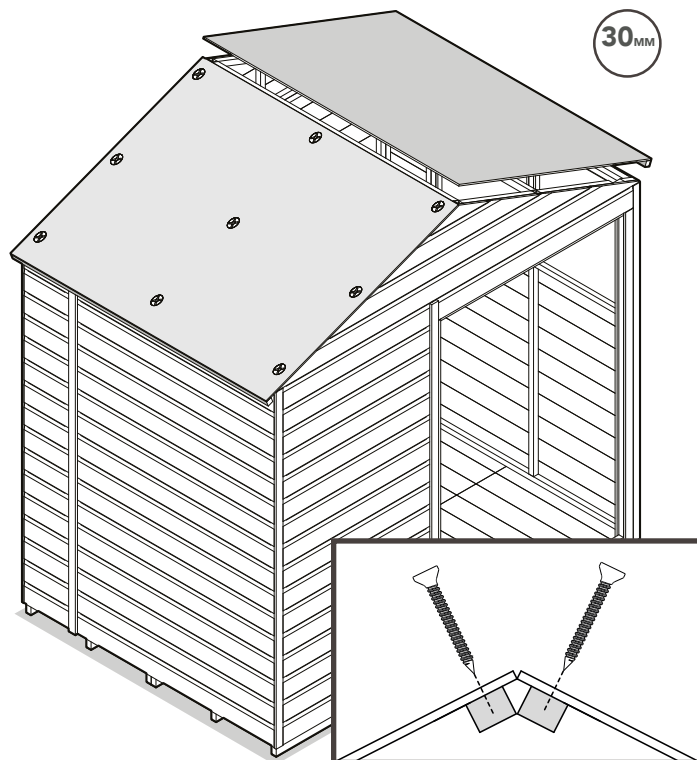
Position your OSB Roof Sheets onto your shed. Position and secure your Front and Back Roof Strips  
 Ensure they are flush along the edge. Position and secure your Side Roof Strips

## STEP 2: SECURE ROOF SHEETS



### ROOF SHEETS

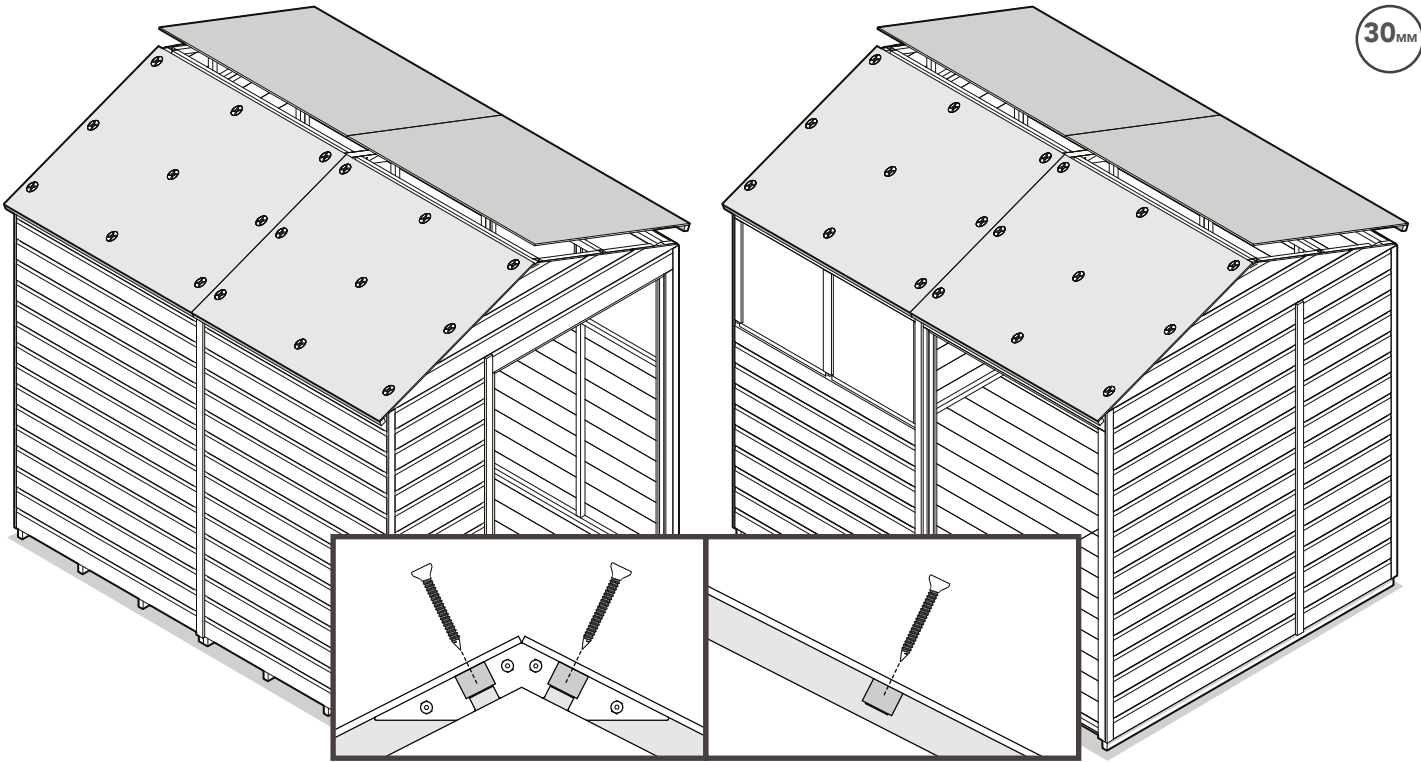
Position and secure the OSB Roof Sheets



### ROOF SHEETS

Position and secure the OSB Roof Sheets

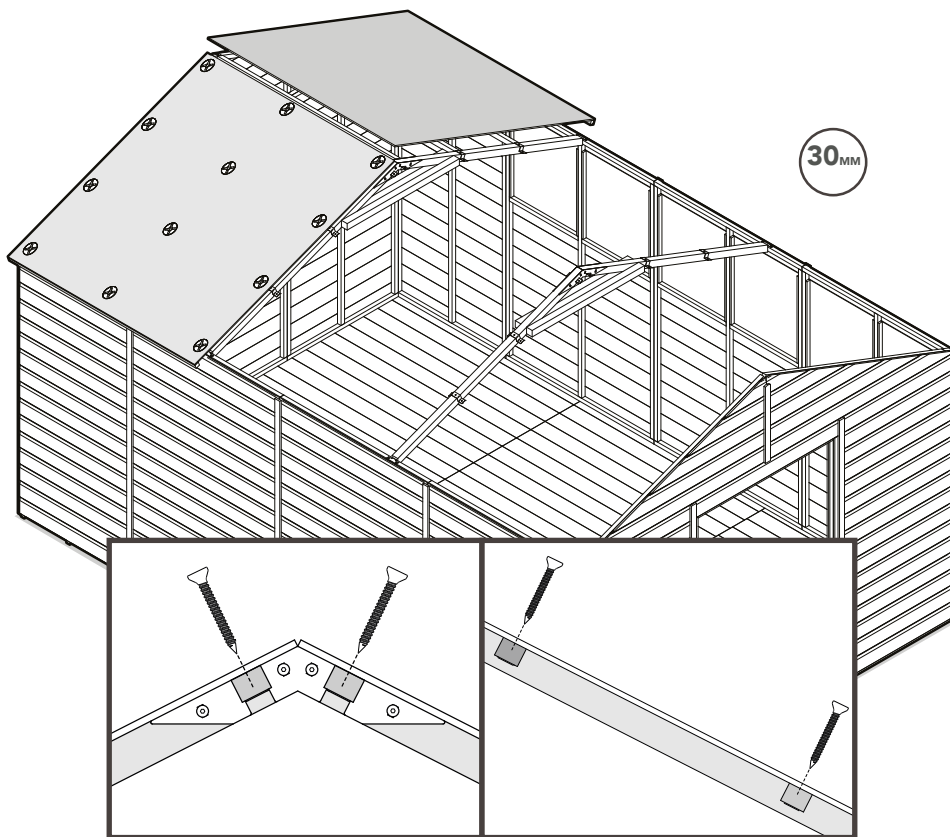
30MM



## ROOF SHEETS

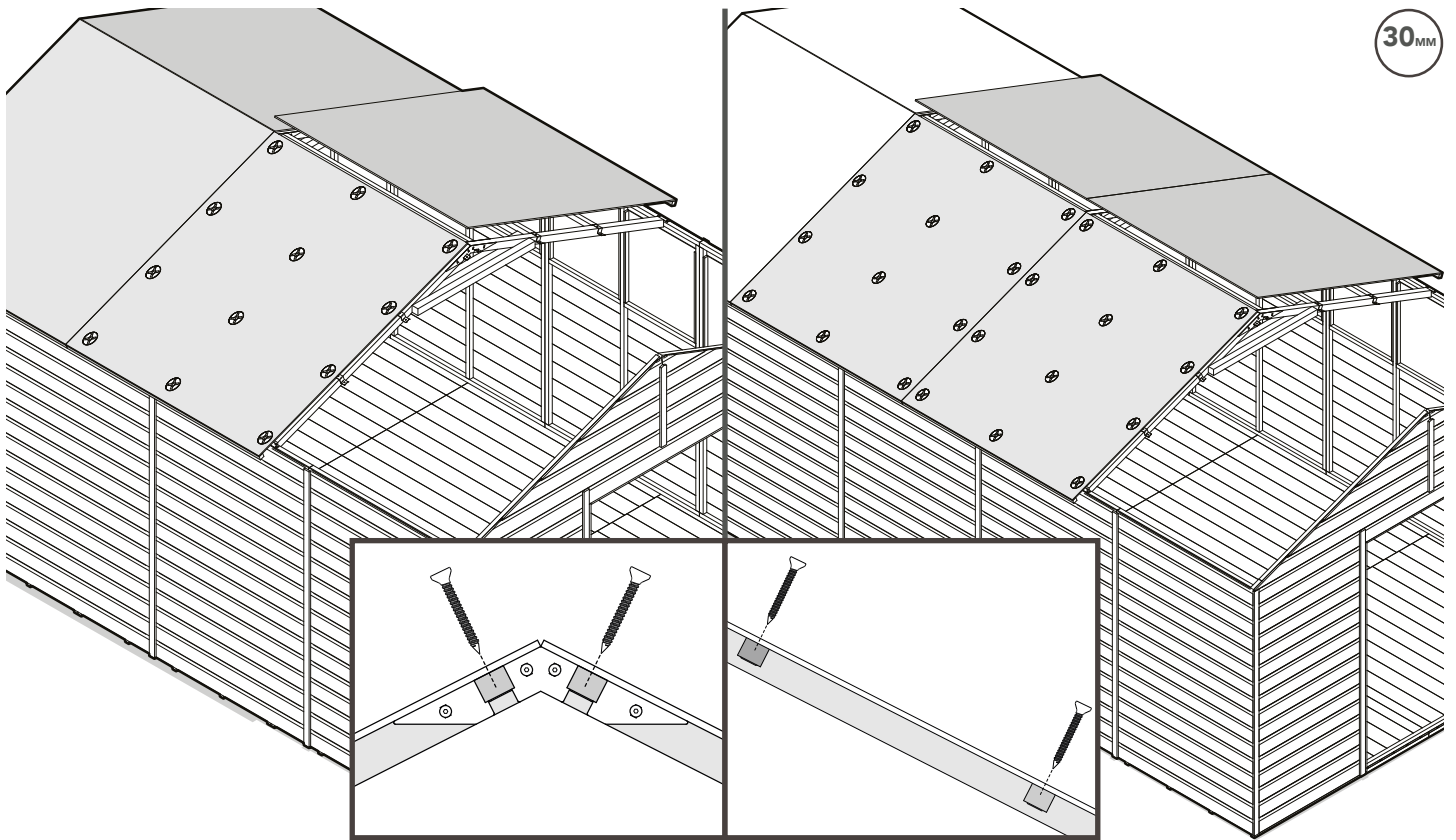
Position and secure the OSB Roof Sheets

Assemble your OSB roof sheets with the roof structure fixing packs (6) for the 10x15 and 10x20 workshops.



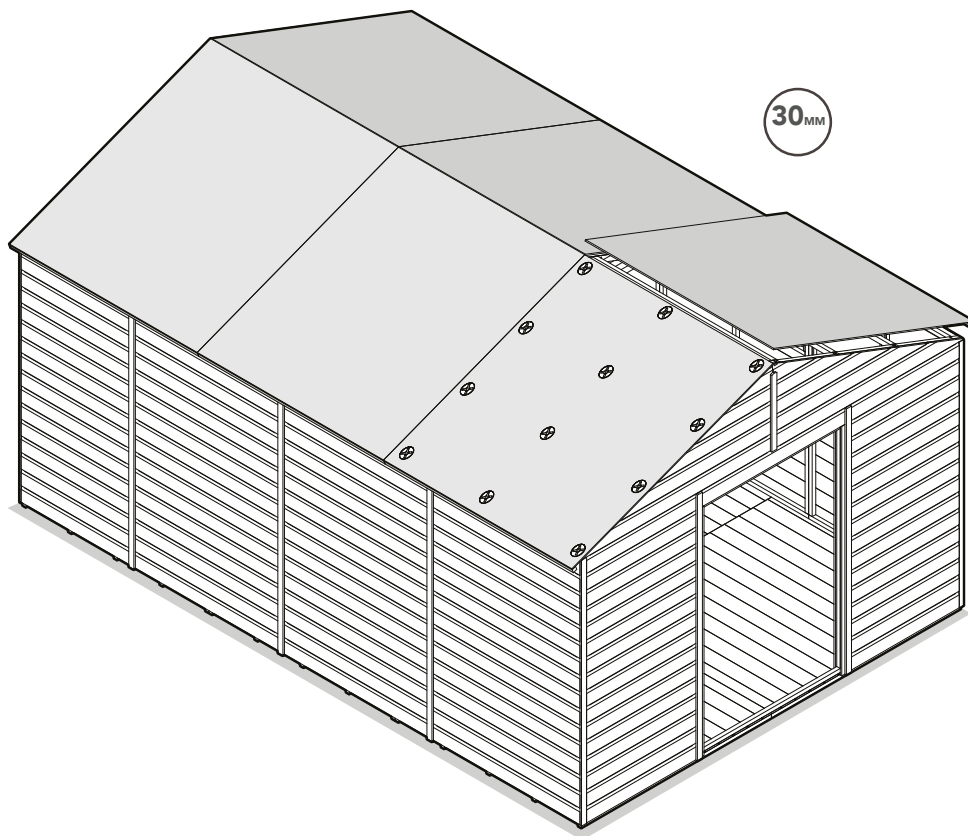
## OUTER ROOF SHEETS

Position and secure the Outer OSB Roof Sheets



### MIDDLE ROOF SHEETS

Position and secure the Middle OSB Roof Sheets

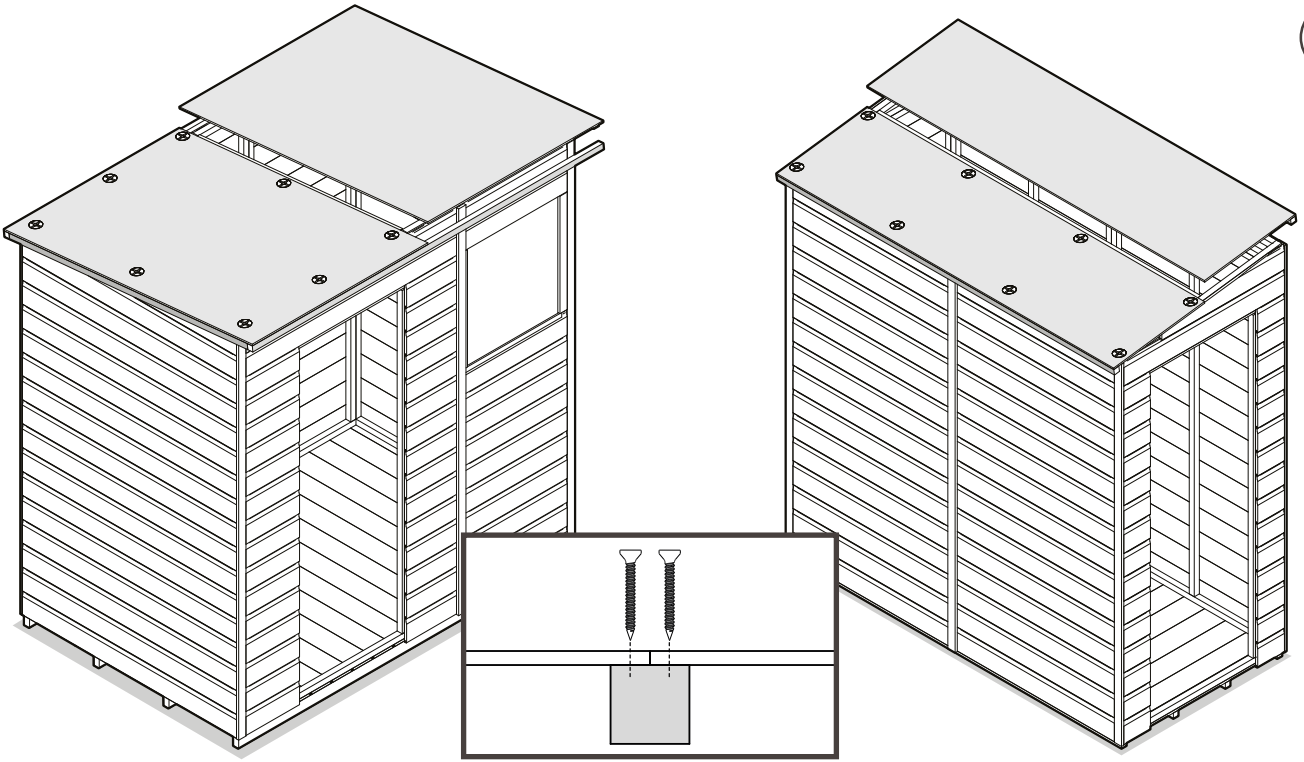


### OUTER ROOF SHEETS

Position and secure the Outer OSB Roof Sheets



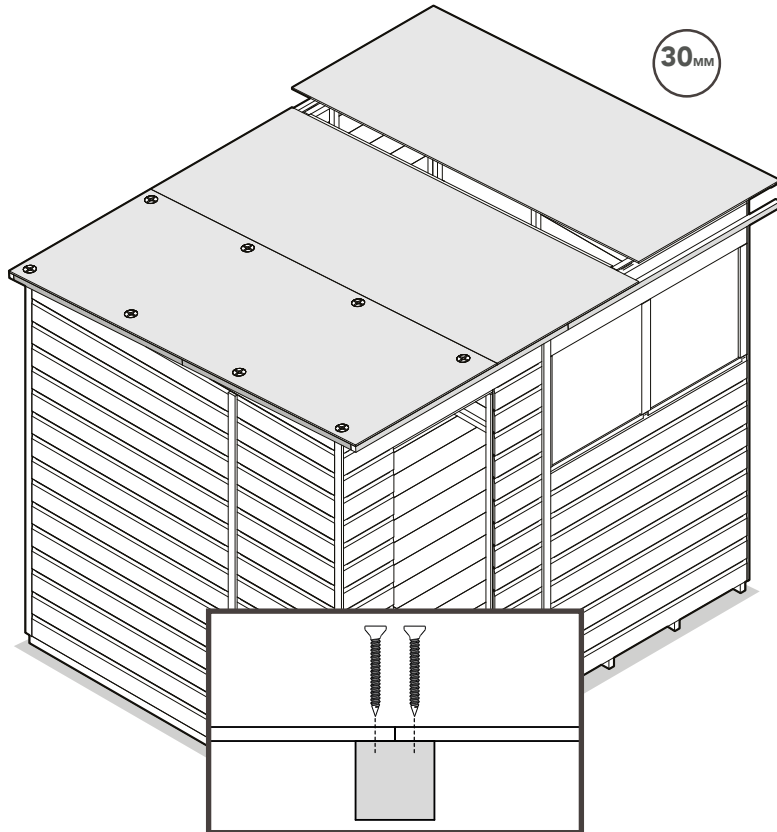
30<sub>MM</sub>



### ROOF SHEETS

Position and secure the OSB Roof Sheets

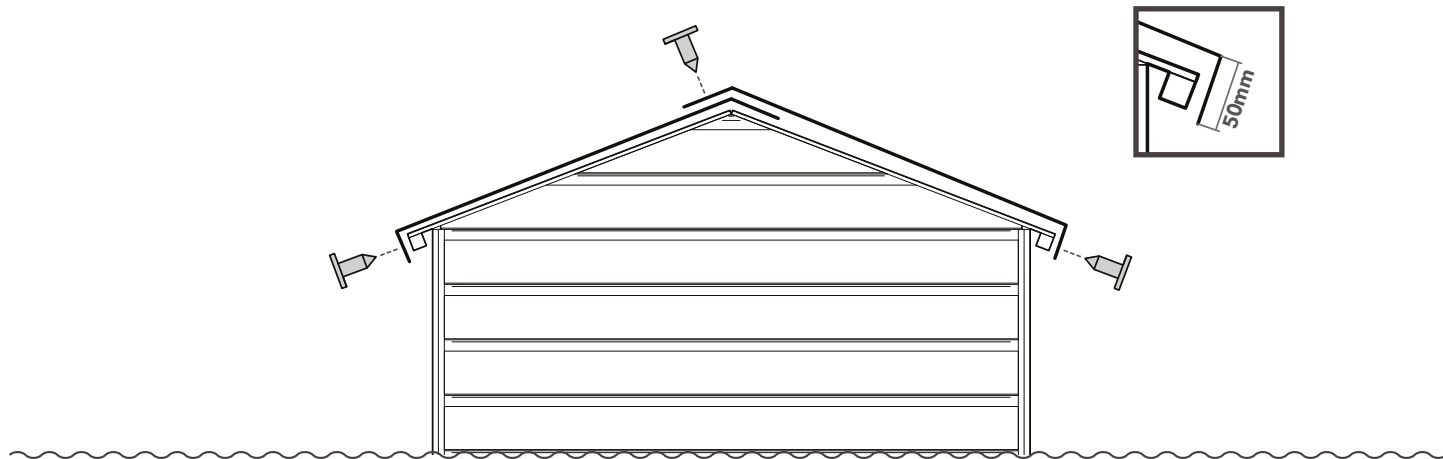
30<sub>MM</sub>



### ROOF SHEETS

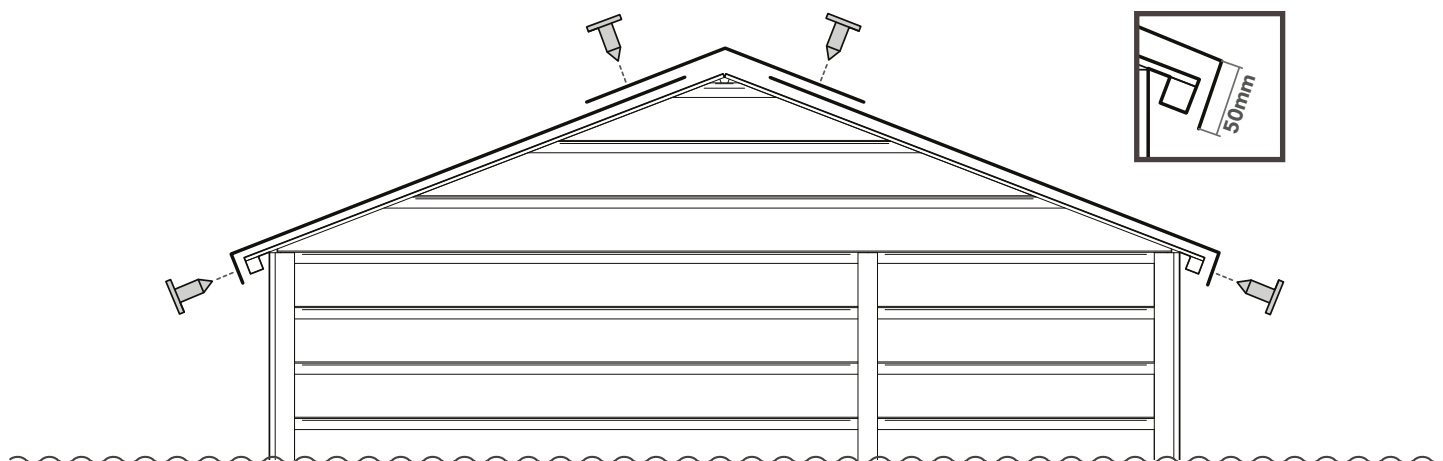
Position and secure the OSB Roof Sheets

## STEP 3: FELT



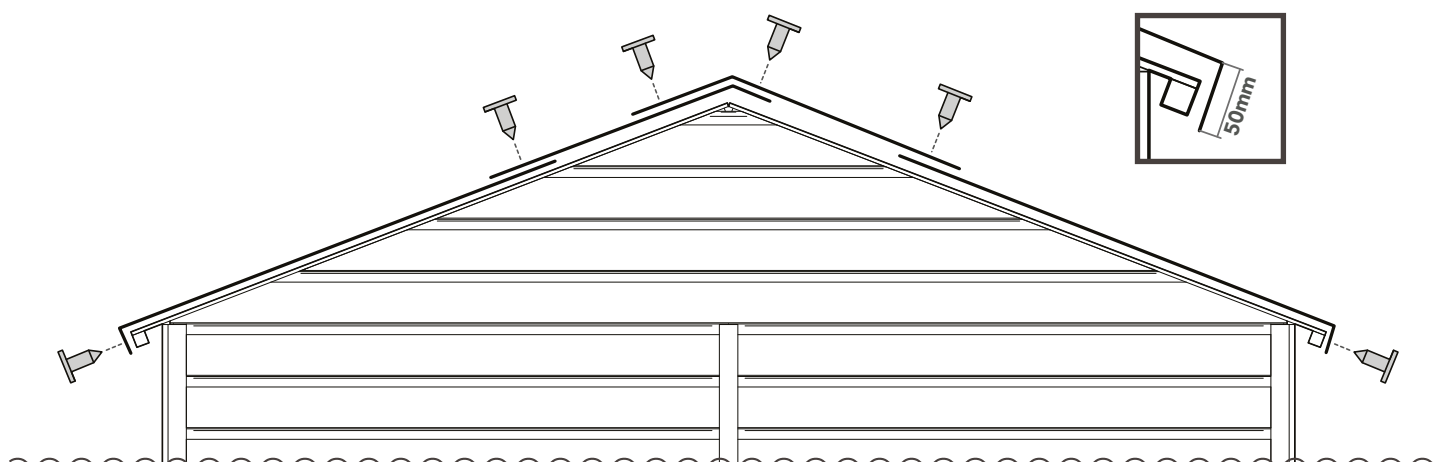
### 2 x FELT PIECES

Measure out 2 equal lengths, cut with a sharp knife, overlap them on top, around the edges and fold the corners; tack to keep secure.



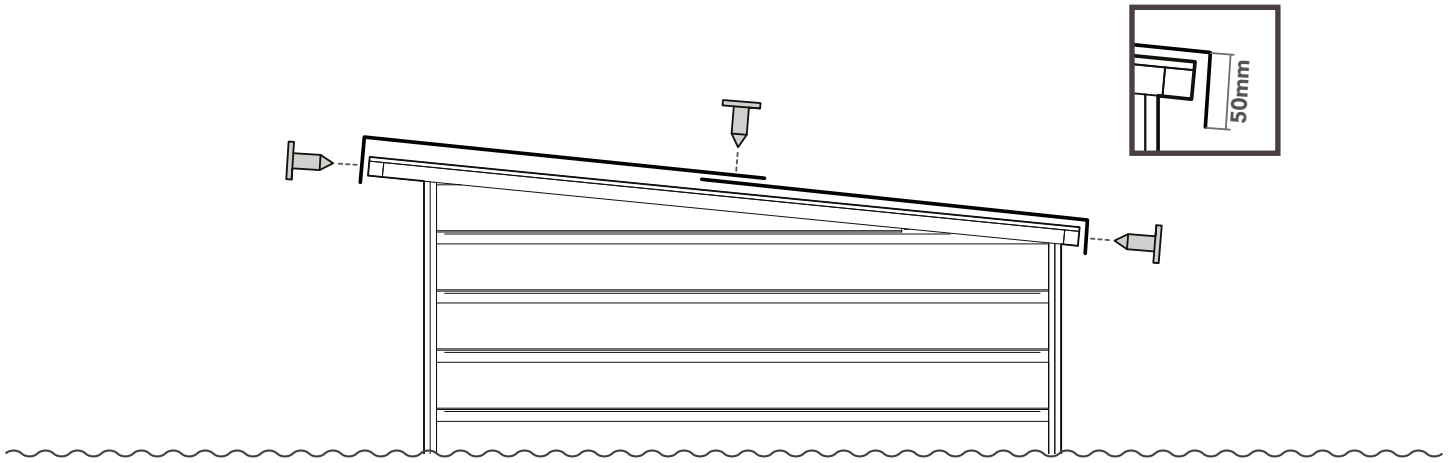
### 3 x FELT PIECES

Measure out 3 equal lengths, cut with a sharp knife, overlap them on top, around the edges and fold the corners; tack to keep secure.



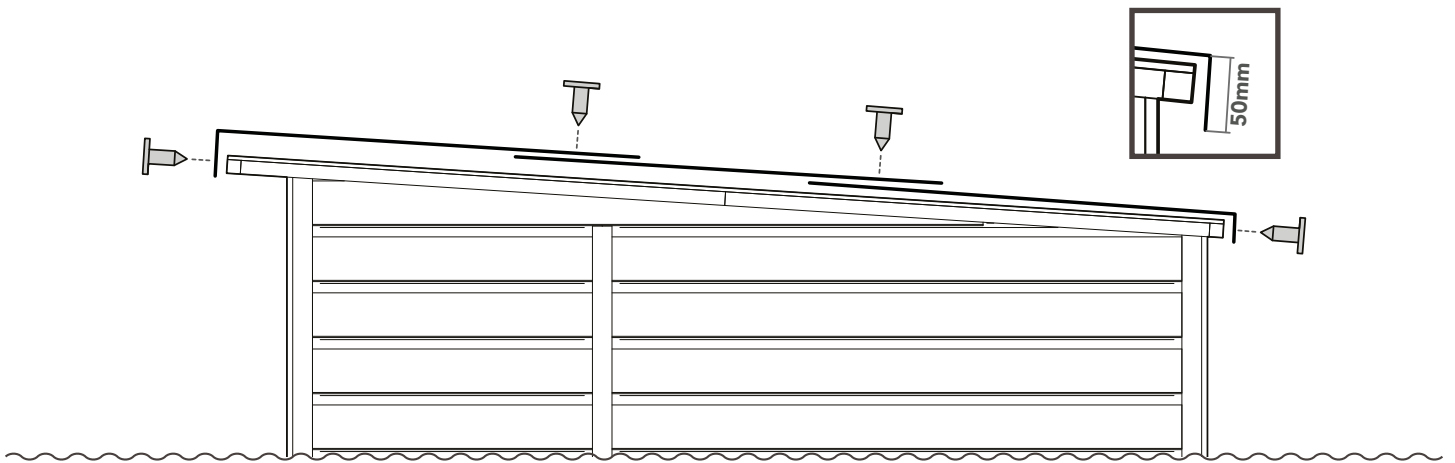
### 4 x FELT PIECES

Measure out 4 equal lengths, cut with a sharp knife, overlap them on top, around the edges and fold the corners; tack to keep secure.



### 2 x FELT PIECES

Measure out 2 equal lengths, cut with a sharp knife, overlap them on top, around the edges and fold the corners; tack to keep secure.



### 3 x FELT PIECES

Measure out 3 equal lengths, cut with a sharp knife, overlap them on top, around the edges and fold the corners; tack to keep secure.

# SHED

## FIXING PACK CONTAINS:

FIXING PACK CODE: SHEDFASCIASFP



40mm  
16



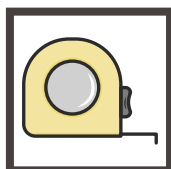
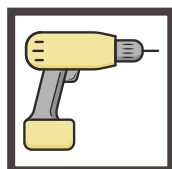
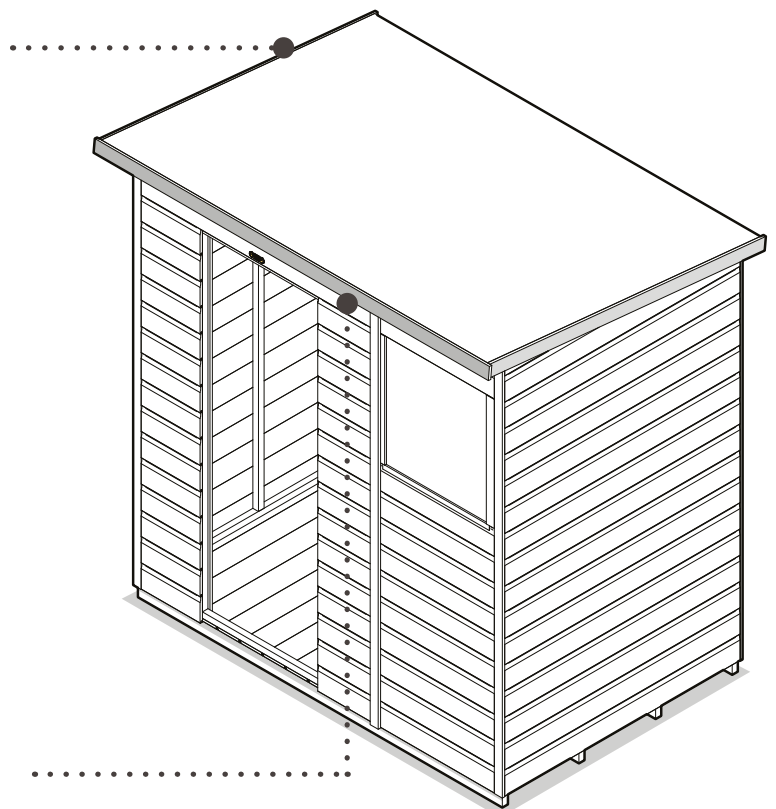
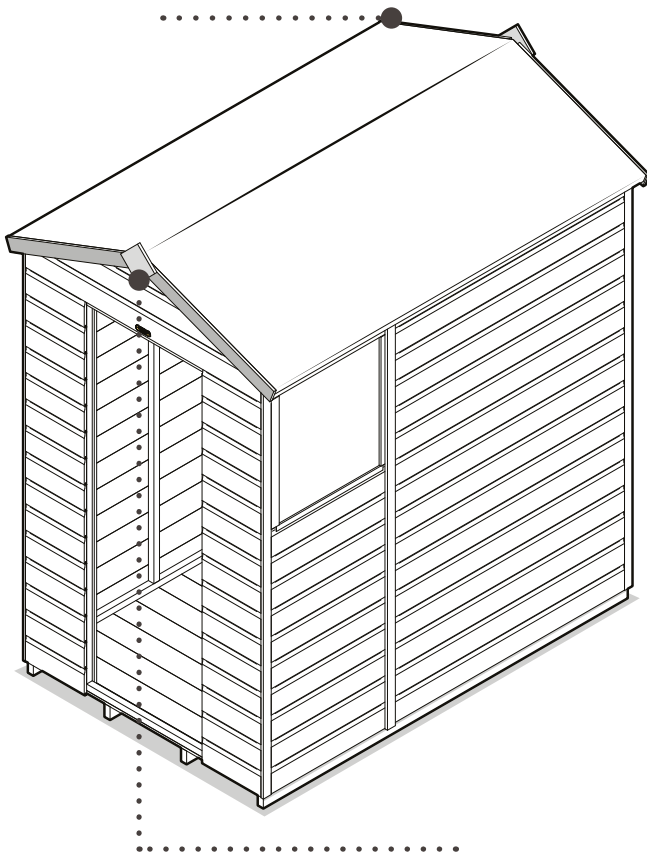
25mm  
4



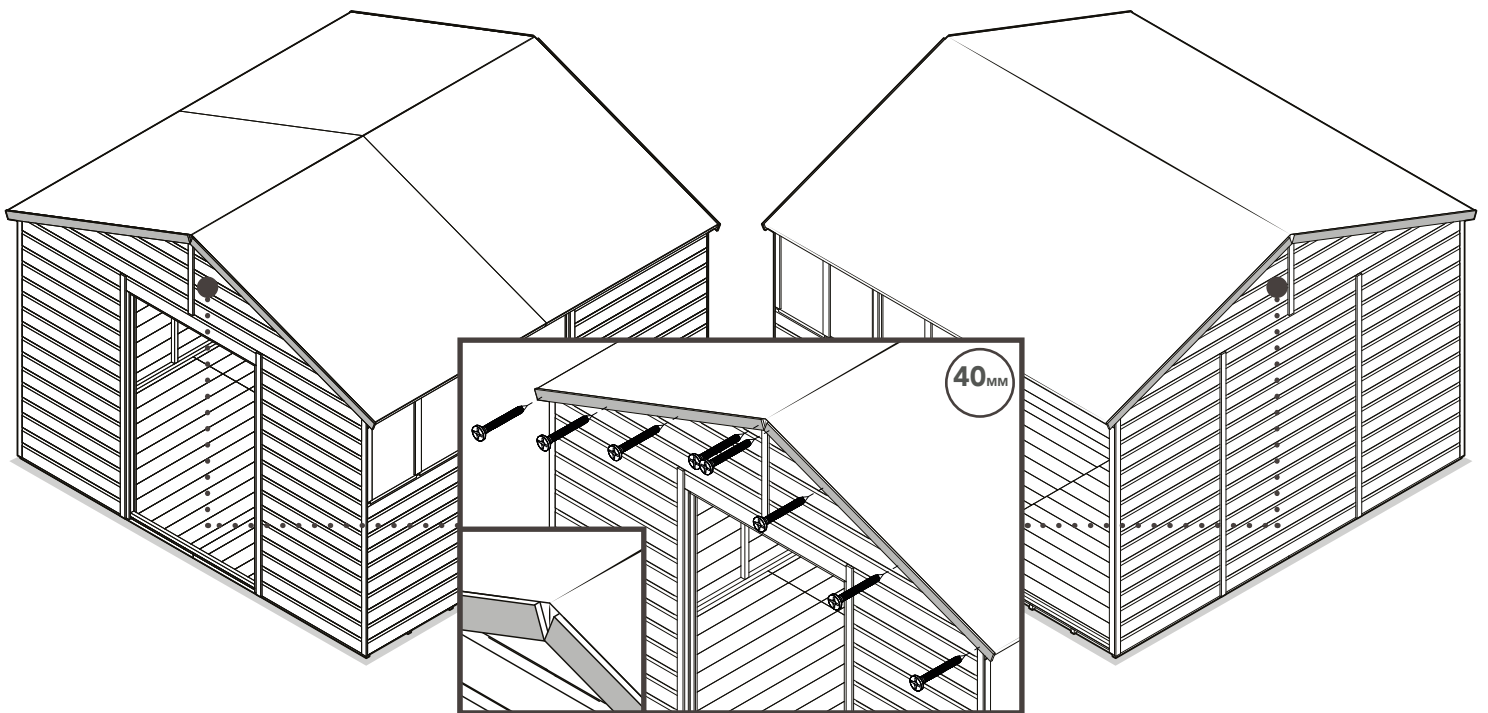
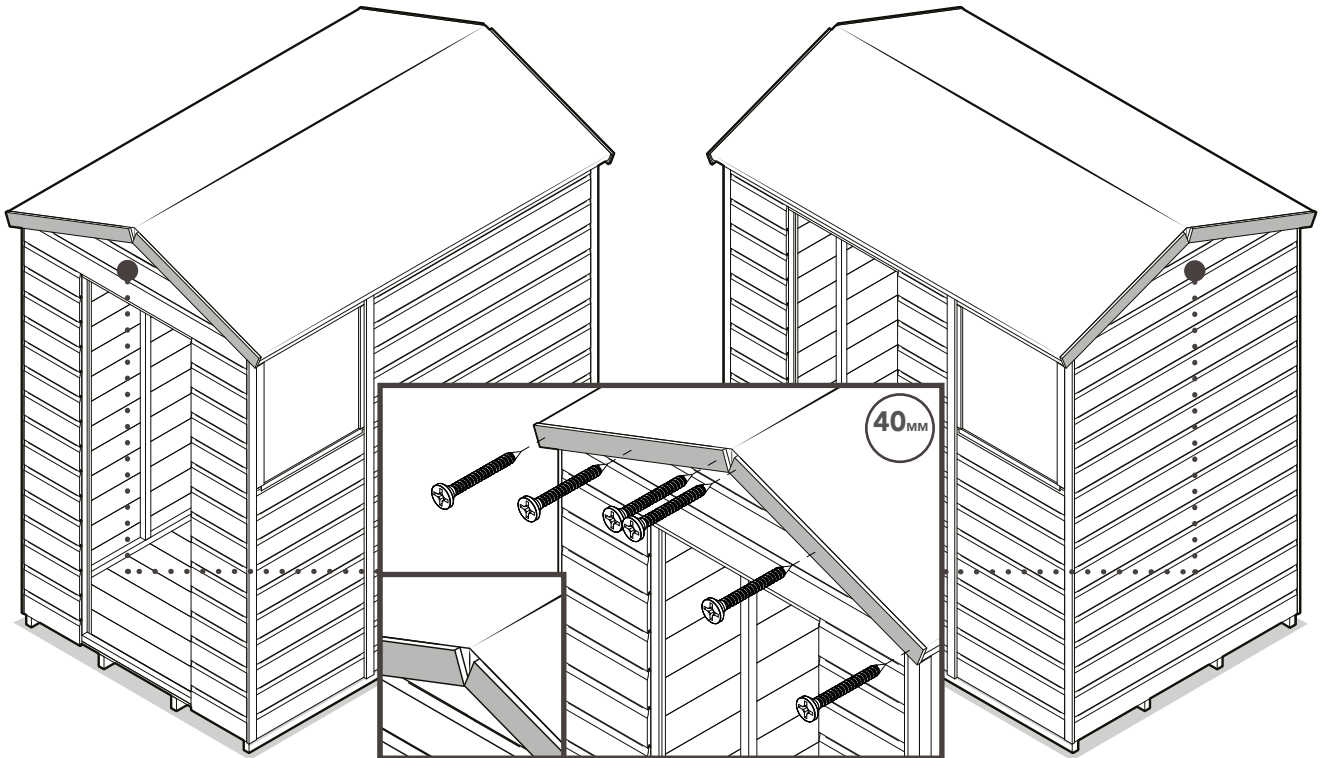
25mm  
2



Badge  
1

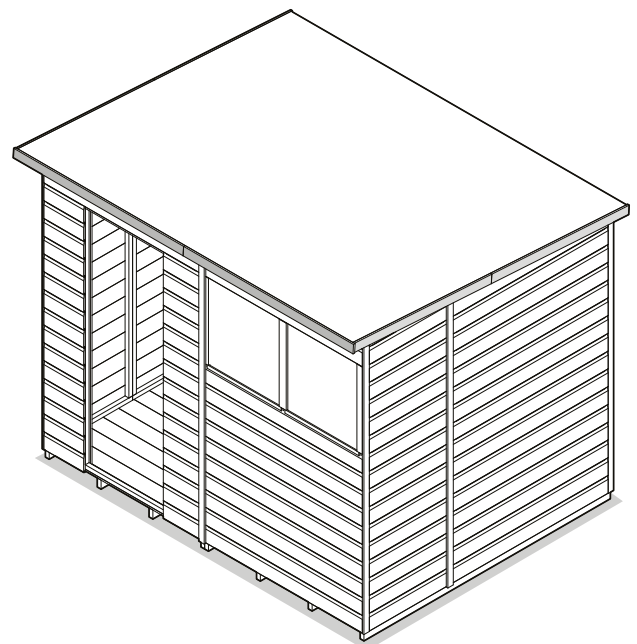
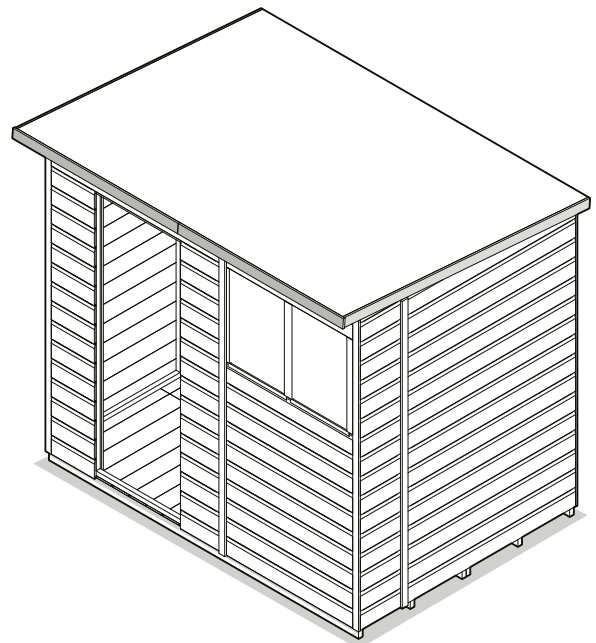
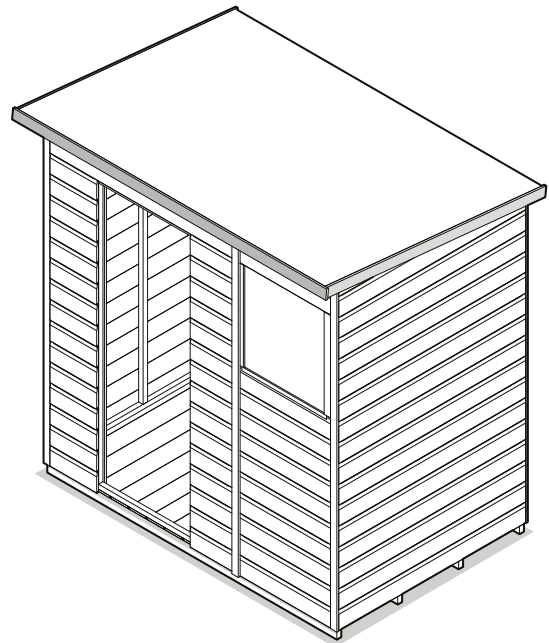
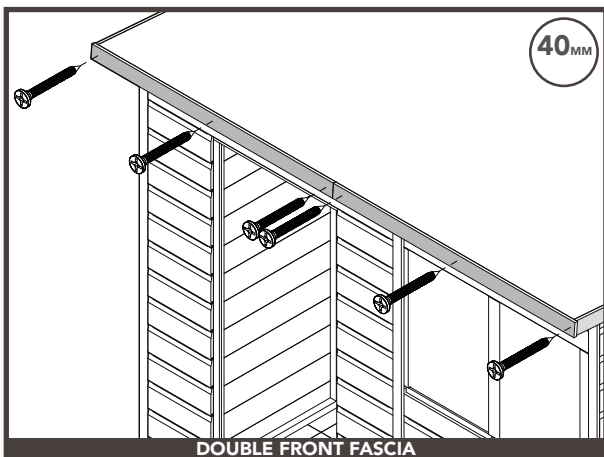
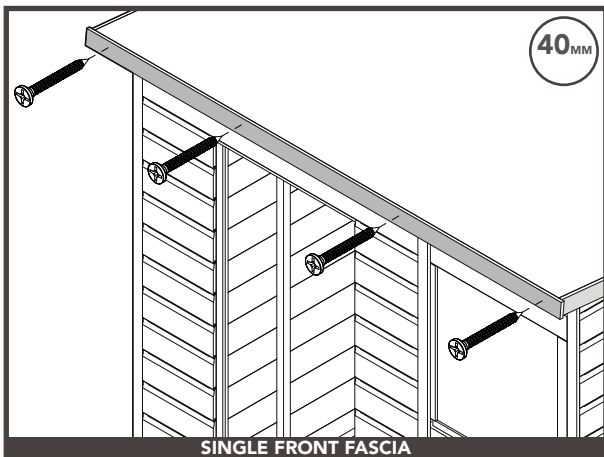
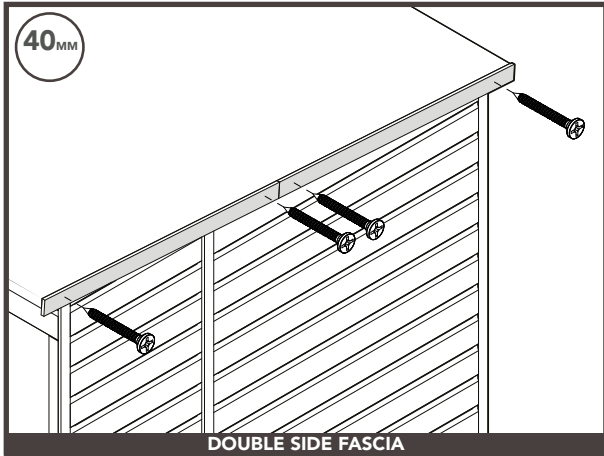
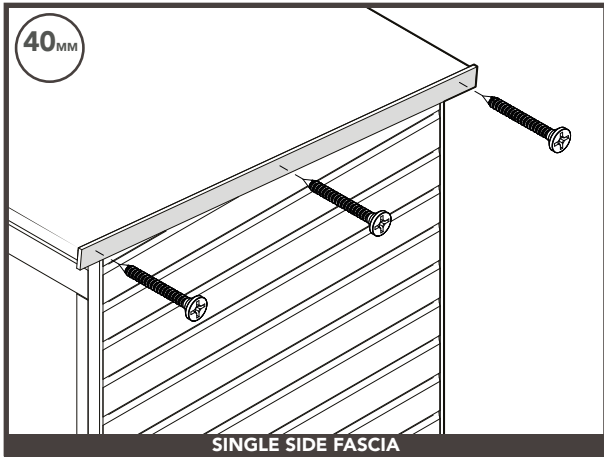


# STEP 1: FASCIA ASSEMBLY



## APEX & REVERSE APEX FASCIA'S

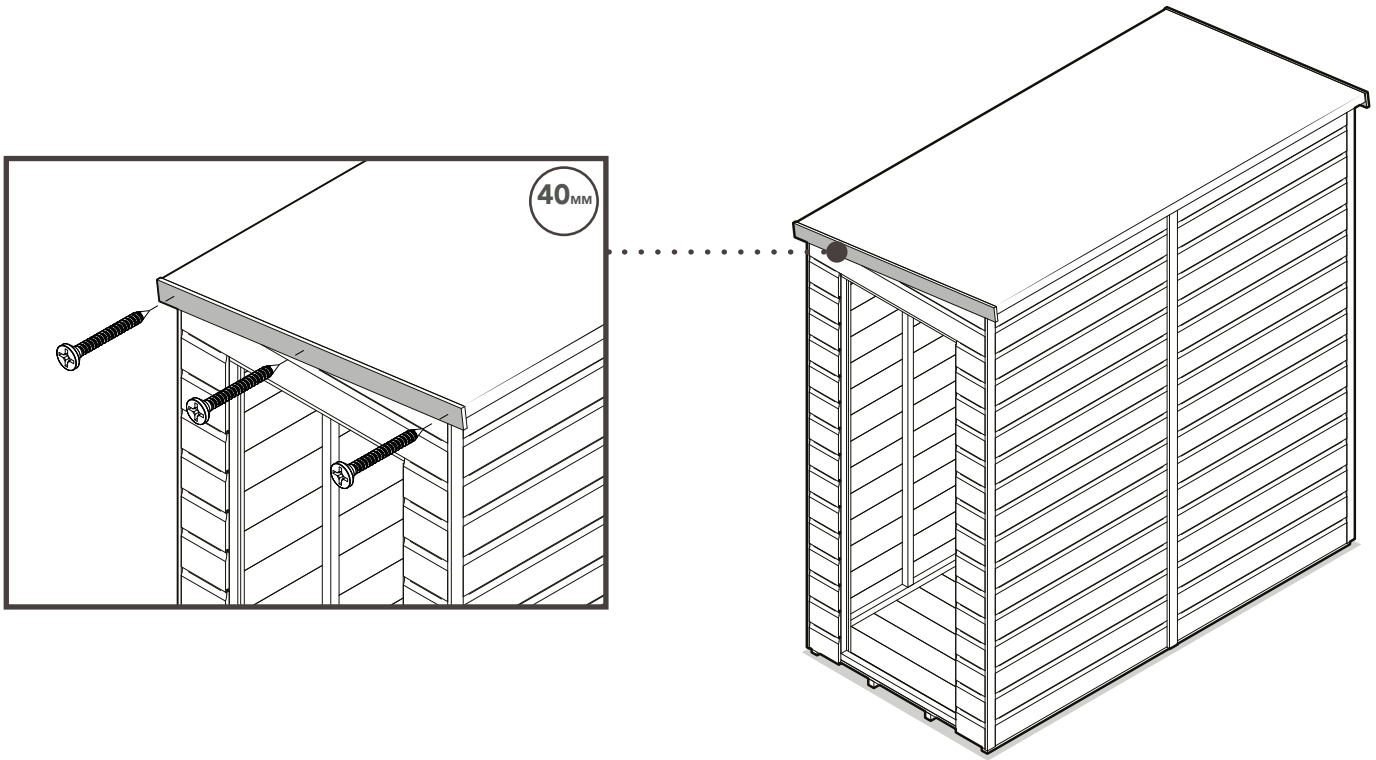
Position and secure the Fascia's



### PENT FASCIA'S

Position and secure the Side Fascia/Side Fascia's  
Position and secure the Front Fascia/Front Fascia's

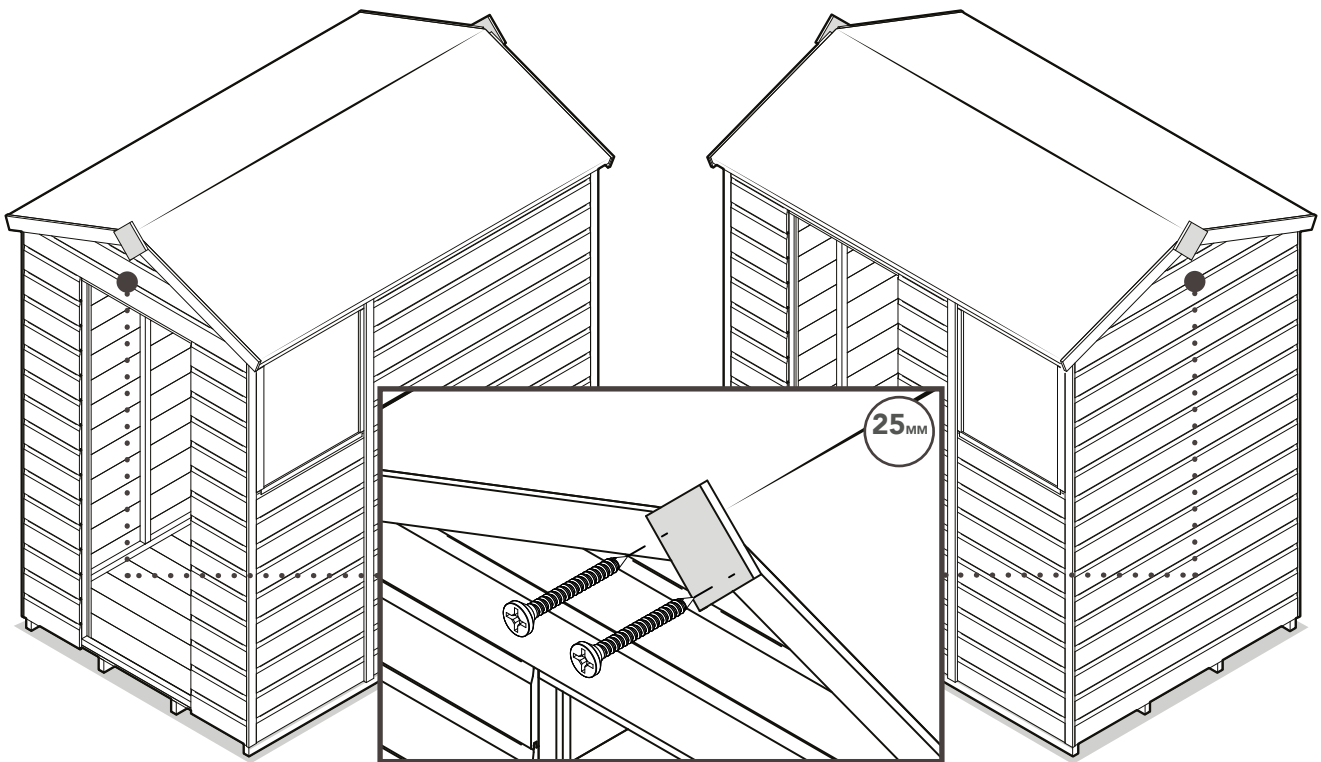
. Ensure they are flush to the front of the roof.



**PENT FASCIA'S**

Position and secure the Fascia's

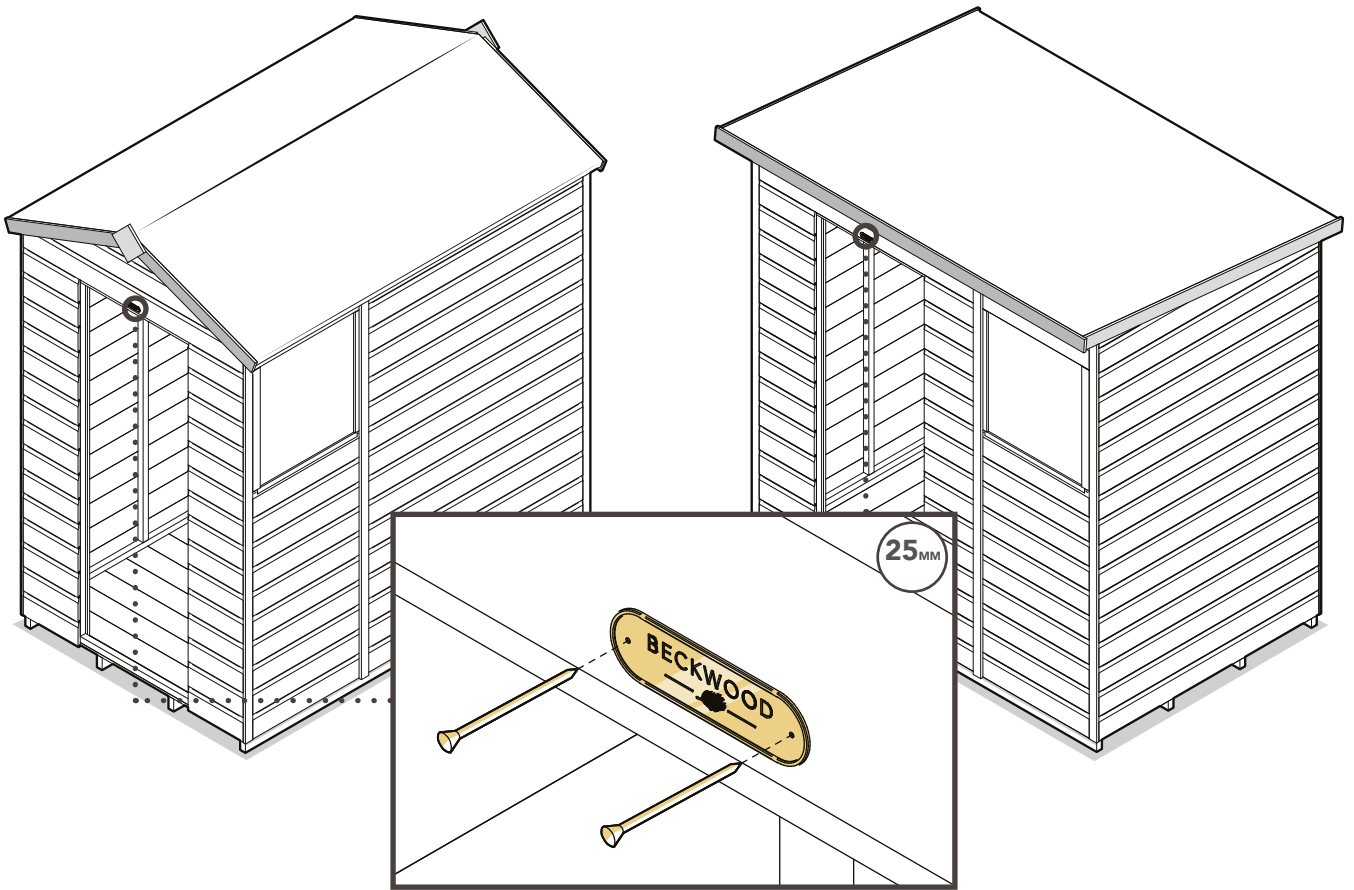
**STEP 2: FINIAL ASSEMBLY**



**FINIALS**

Position and secure the Finials

## STEP 3: BADGE



### PIN YOUR BADGE

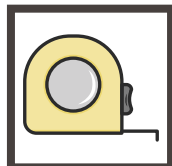
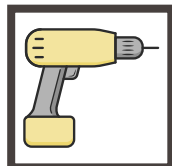
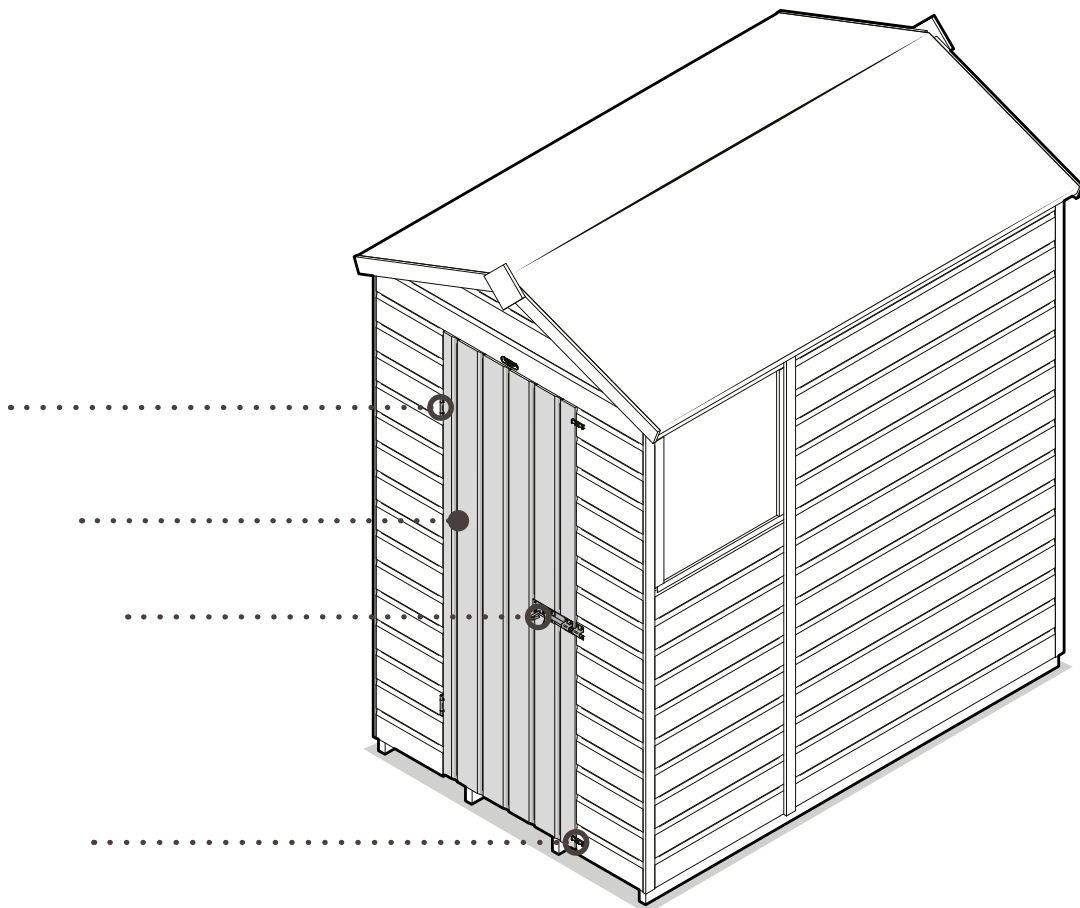
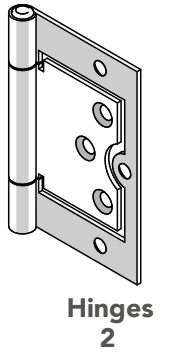
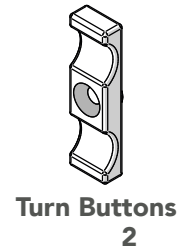
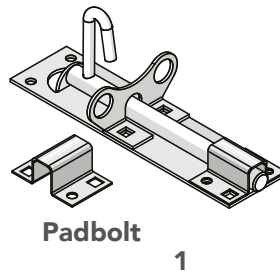
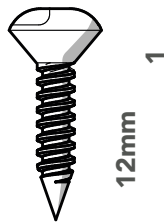
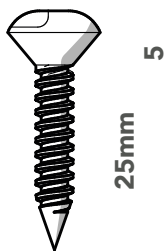
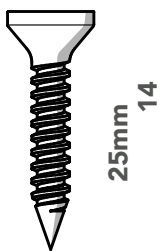
Position and secure your badge



# SHED

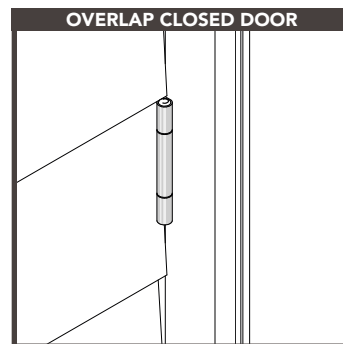
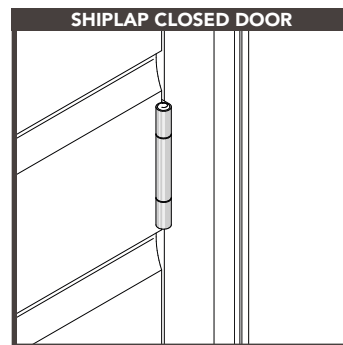
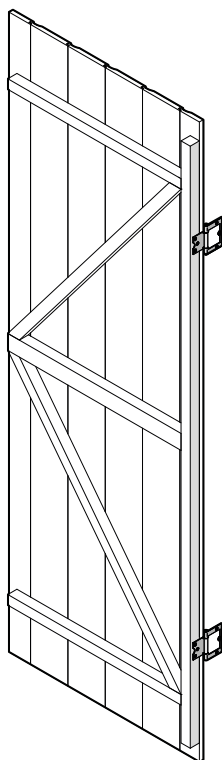
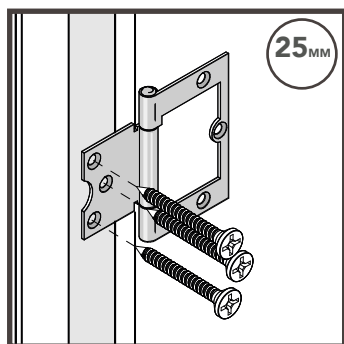
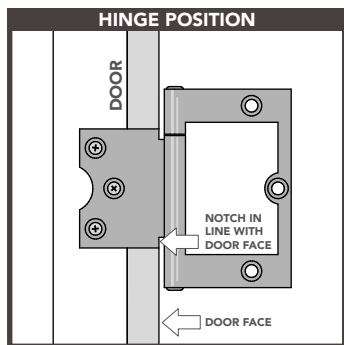
## FIXING PACK CONTAINS:

FIXING PACK CODE: SHEDSINGLEDORFP



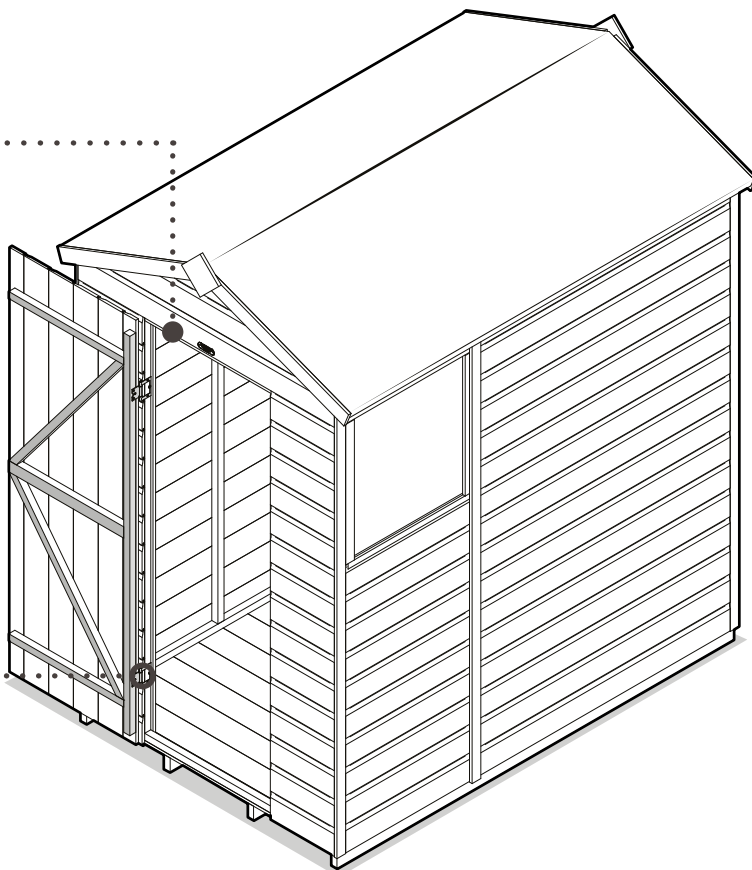
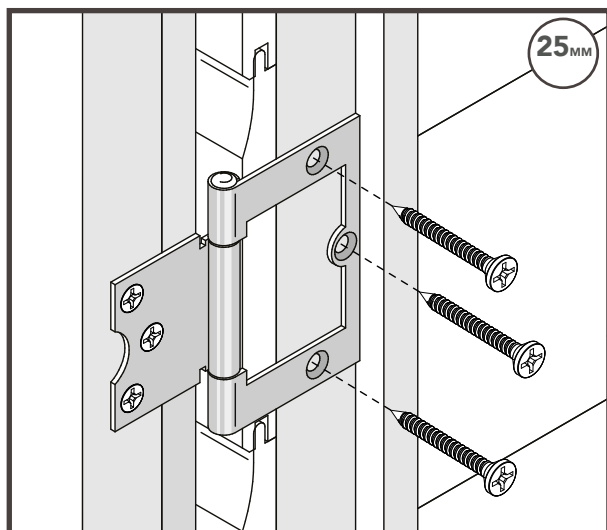
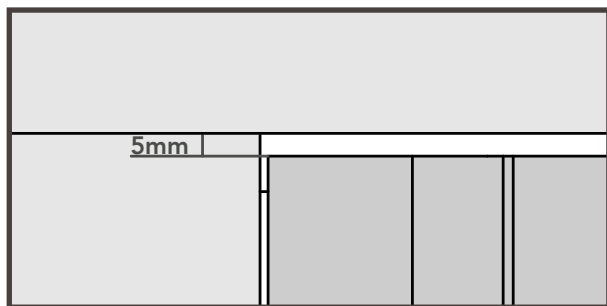
Please take care when installing the security screws.  
Once the screws have been secured in place, you will be unable to unscrew them.

# STEP 1: DOOR HINGES



## DOOR HINGES

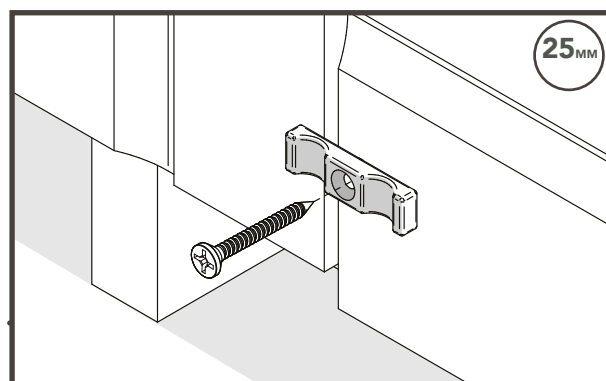
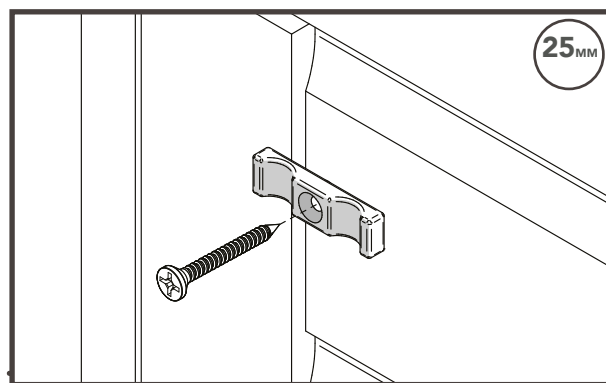
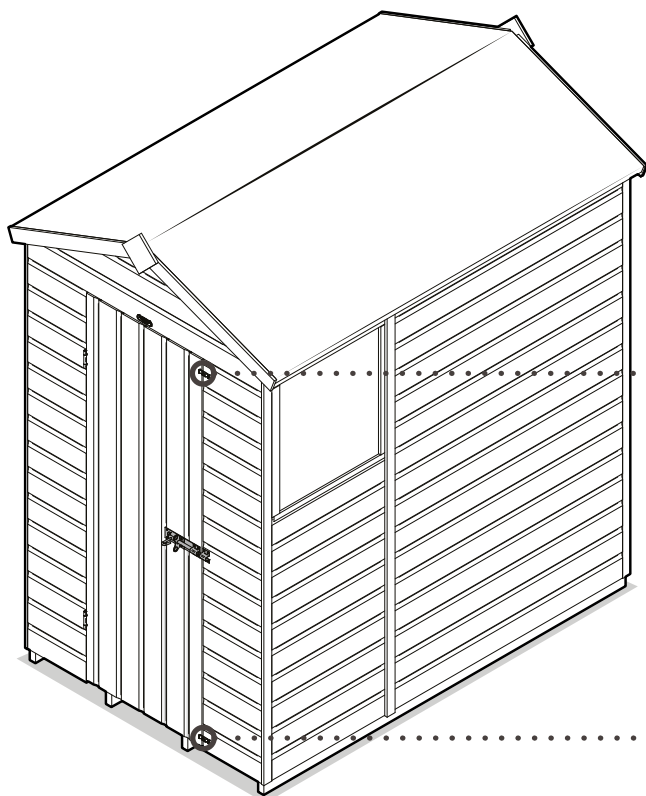
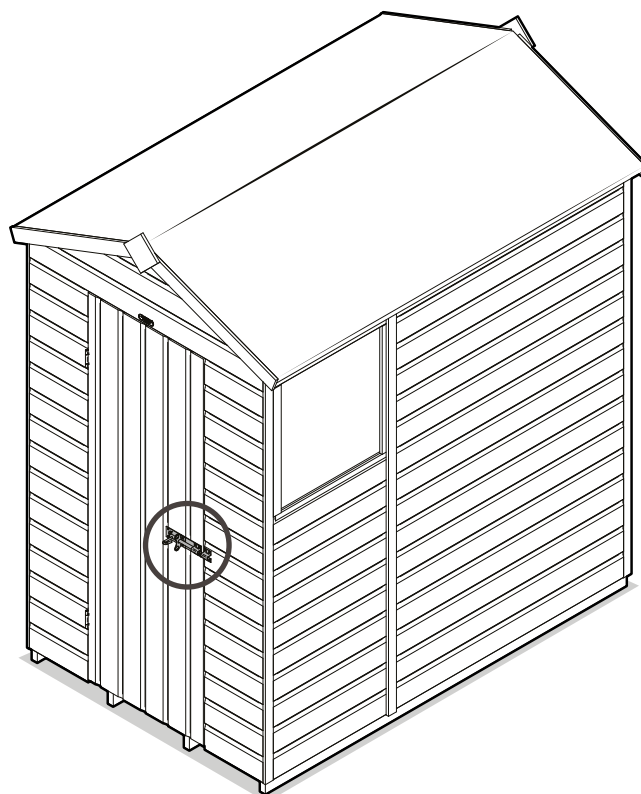
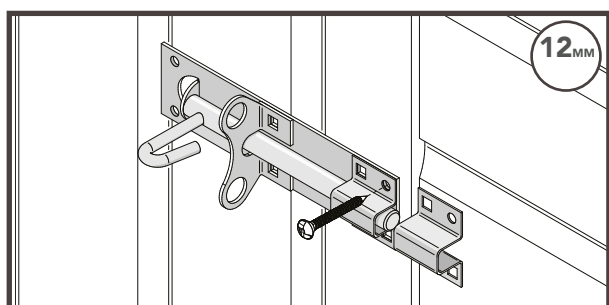
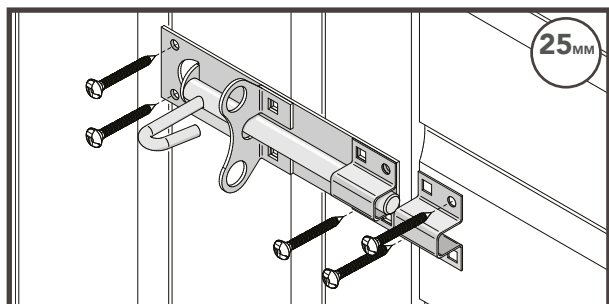
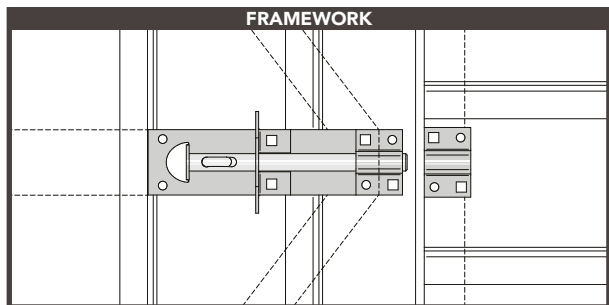
Position and secure 2 x hinges to the Door framework Please take note of the hinge position.



## DOOR INSTALLATION

Position the Door into the door opening, ensuring it is level.  
Secure the hinges in place.

## STEP 2: DOOR FIXINGS



### PADBOLT

Position and secure the Padbolt

Secure the Receiver

Use a flat head screwdriver to install the security screws.

### TURN BUTTONS

Position and secure a turn button to the top and bottom of the Door