

WATER BUTT - ASSEMBLY INSTRUCTIONS

SHOULD YOU REQUIRE ANY ADDITIONAL GUIDANCE WITH THE ASSEMBLY OF YOUR SHED PLEASE CONTACT OUR TECHNICAL HELP LINE ON 0844 248 9853



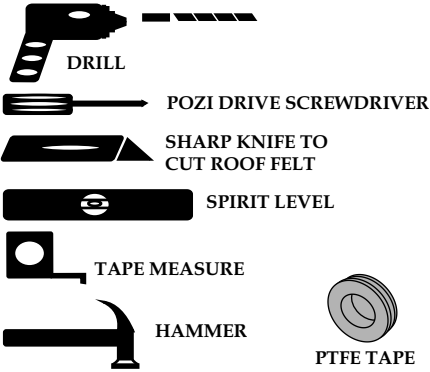
IMPORTANT:
ASSEMBLY OF THIS PRODUCT REQUIRES TWO PEOPLE
ISSUE 0108

Thank you for choosing this Water Butt manufactured by the UK's largest manufacturer of timber garden products. In order to gain the most benefit from it, please note the following:

- Exercise particular care and follow instructions whilst attaching the plastic liner. Check the liner before starting the build. If the liner is damaged call the help line immediately there is nothing we can do about damage caused during construction.
- This product is pressure treated and therefore should not need immediate treatment however to keep this product pristine for longer regular treatment is recommended. Apply in accordance with the manufacturers instructions.
- If there are any technical queries with the product, please contact our customer help line on 0844 248 9853 between the hours of 8.30 am and 5.00 pm Monday to Friday.
- Please ensure that you thoroughly check all component parts for quantity and quality before you commence building the product. If there are any missing parts, please contact the help line as shown immediately. The manufacturer cannot be held liable for damaged items once any part of the product has been fitted or altered in any way (e.g. Painted)
- Timber is a natural material. It will shrink and swell as a result of varying moisture content.
- Please keep all plastic bags and small parts away from children in order to reduce the risk of suffocation. This will be full of water when in use please take care of children when they are near this product.

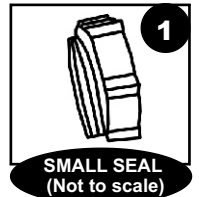
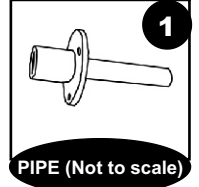
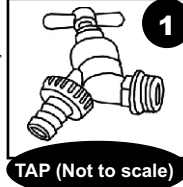
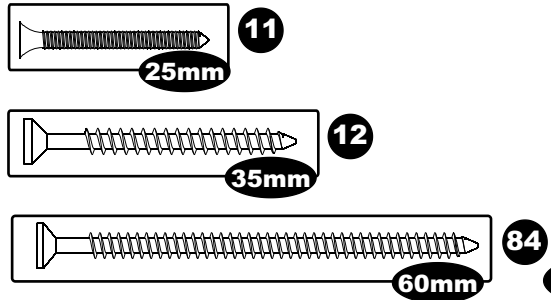
PRE-DRILL ALL HOLES BEFORE INSERTING SCREWS USING A 6mm DRILL BIT

REQUIRED TOOLS : (NOT SUPPLIED)



FIXING PACK (WATERBUTTFP) CONTENTS :

PLEASE NOTE: ALL SCREWS AND NAILS SHOWN BELOW AND IN INSTRUCTIONS ARE TO SCALE TO ASSIST IN IDENTIFICATION OF REQUIRED FIXINGS.



Lid WATERBUTTLID 2	Floor WATERBUTTFL 2	Butt Sides WATERBUTTS 6	Liner Battens WATERBUTT LB 6	Plastic Liner WBPVCL 1
Base Sides WATERBUTTS 6	Lid Battens WATERBUTTLIDB 2	Rope Handle ROPEHAND 1		

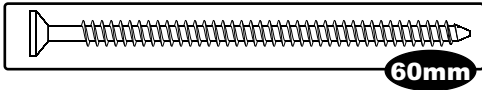
1

18
60mm

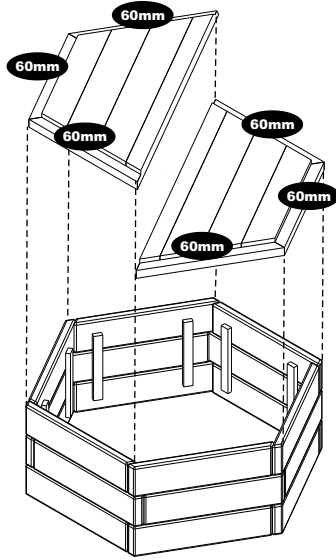
2

60
60mm

3

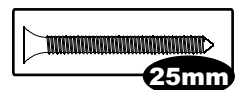


6

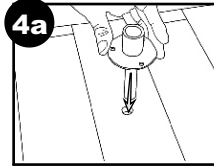


4

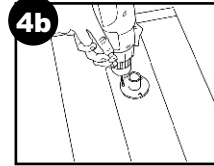
Note, to make sure tap is in correct alignment screw in tap position and mark the holes with a pencil. Unscrew the tap and begin stage 4.



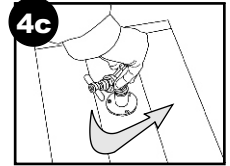
3



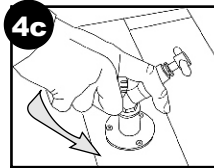
Insert brass pipe into hole



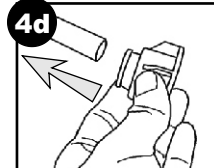
Secure using 3x25mm screws



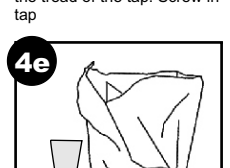
Wrap the PTFE tape around the tread of the tap. Screw in tap



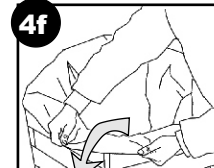
Line up hole in liner with brass pipe and fold liner over



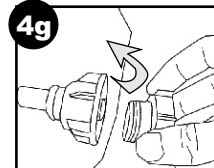
Fit large half of seal onto the brass pipe inside the butt



Drop Liner into Butt. When liner is in desired positions, carefully push the brass pipe through the liner.

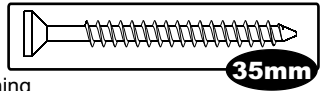


Line up hole in liner with brass pipe and fold liner over



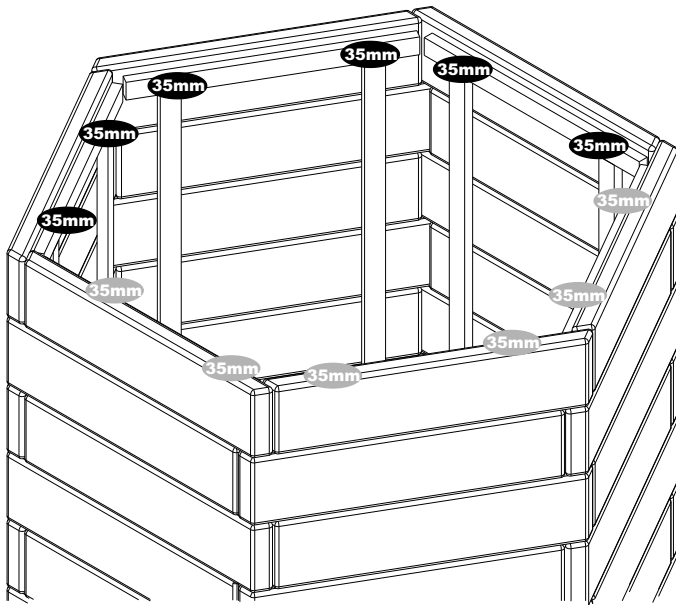
Screw small half of seal onto large half sandwiching liner

5



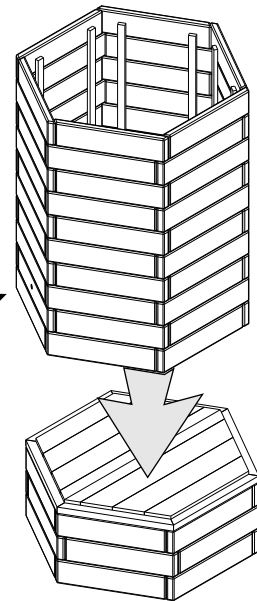
12

Attach Liner Battens sandwiching liner between battens and butt



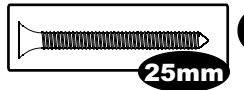
6

INSURE THAT PRE-DRILLED HOLE FOR TAP IS AT THE BOTTOM OF THE BUTT CONSTRUCTION

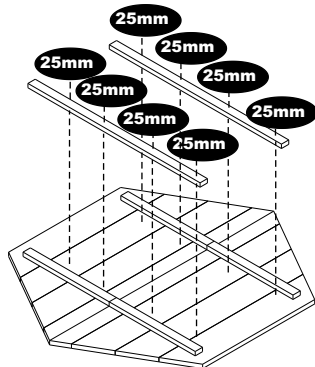


7

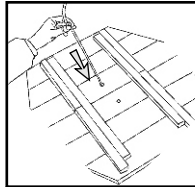
Lid construction



8

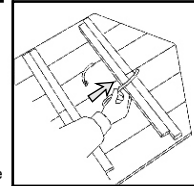


8



Knot one end of the 'rope handle' and thread through from the inside of the lid

Thread back through the second hole



Knot other end of 'rope handle'

