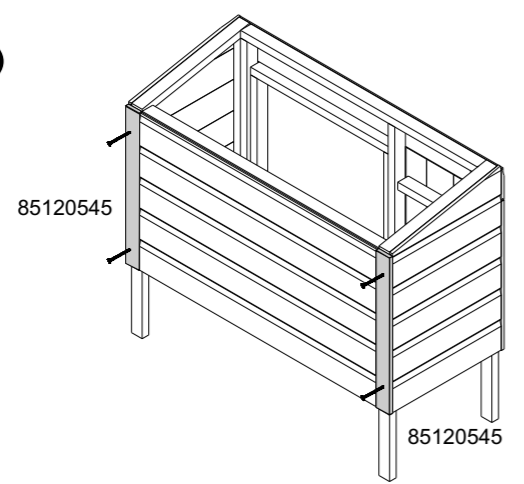
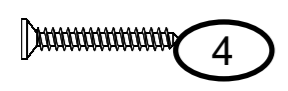
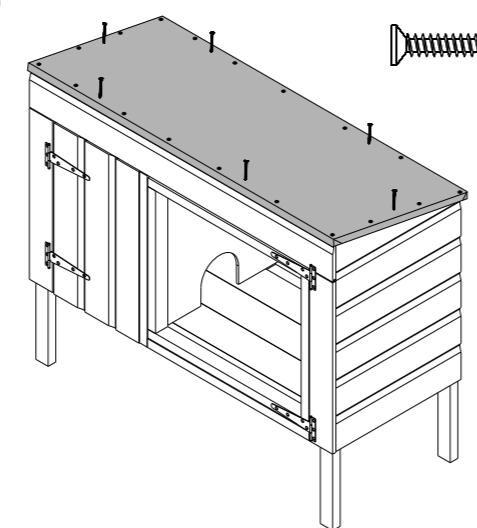


9



Put the two **85120545DTR**'s on to both ends of the **RHP** (back panel) as shown making sure that they sit flush with the sides. Fix into place using 2x 20mm screws for each.

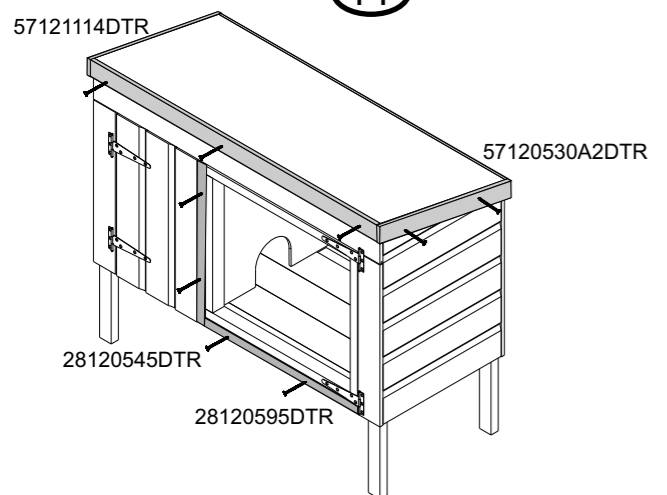
Lay the **11154958** (OSB roof) on to the top of the hutch so it sits on the battens inside, secure in place using 20mm screws, screwing into the battens as shown. Unroll the **85600** (felt) on top of the **11154958** (OSB roof) so that there is a sufficient length to cover the **11154958** (OSB roof) and overhang the sides. Fix the **85600** (felt) to the **11154958** (OSB roof) using felt tacks at approx. 150mm spacings.



10



11



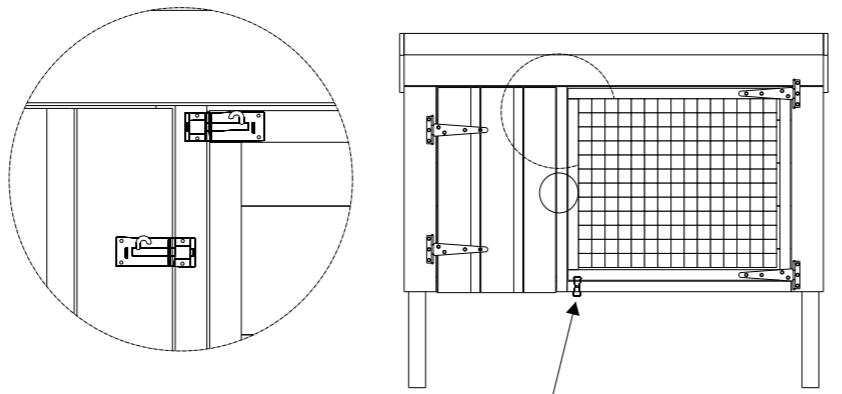
Fix the **57120530ADTR** (angled barge boards) and the **57121114DTR** (long barge boards) to the top of the Rabbit Hutch. Making sure they are in line with the top of the structure, secure the **57120530A2DTR**'s in place using 2x20mm screws for each. Repeat the process with the **57121114DTR**'s using 3x20mm screws. Trim off any excess felt that may be visible.

Secure the **28120545DTR** in place on the outside of the central batten on the **RHFRP** (front panel) in between both doors. Make sure these can still be opened easily. Do the same with **28120595DTR** but place it length ways underneath large door as shown. Secure both with 2x20mm screws

12



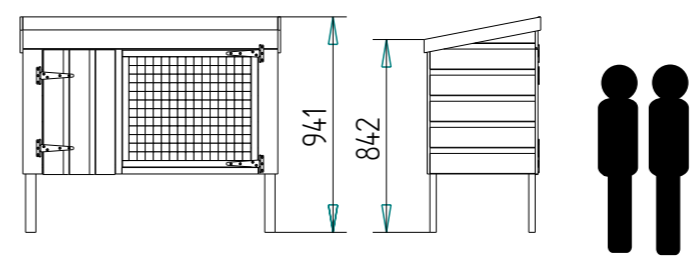
Fix the pad bolts to the **RHSMDR** (small door) and **RHLGDR** (large door) using 6x10mm screws for each. Make sure these are placed so the screws go into the bearers.



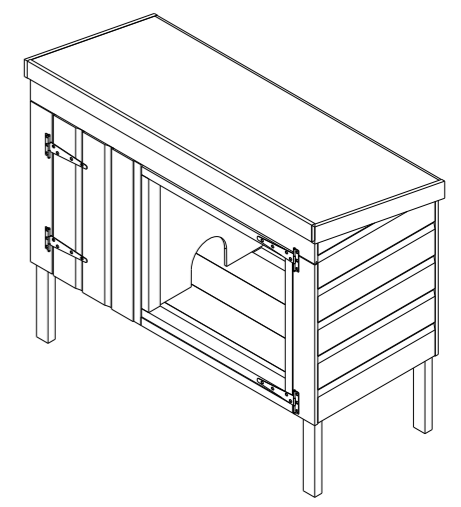
Fix a turn button to the bottom of the Hutch and to the left of the door as shown.

# RABBIT HUTCH

0408

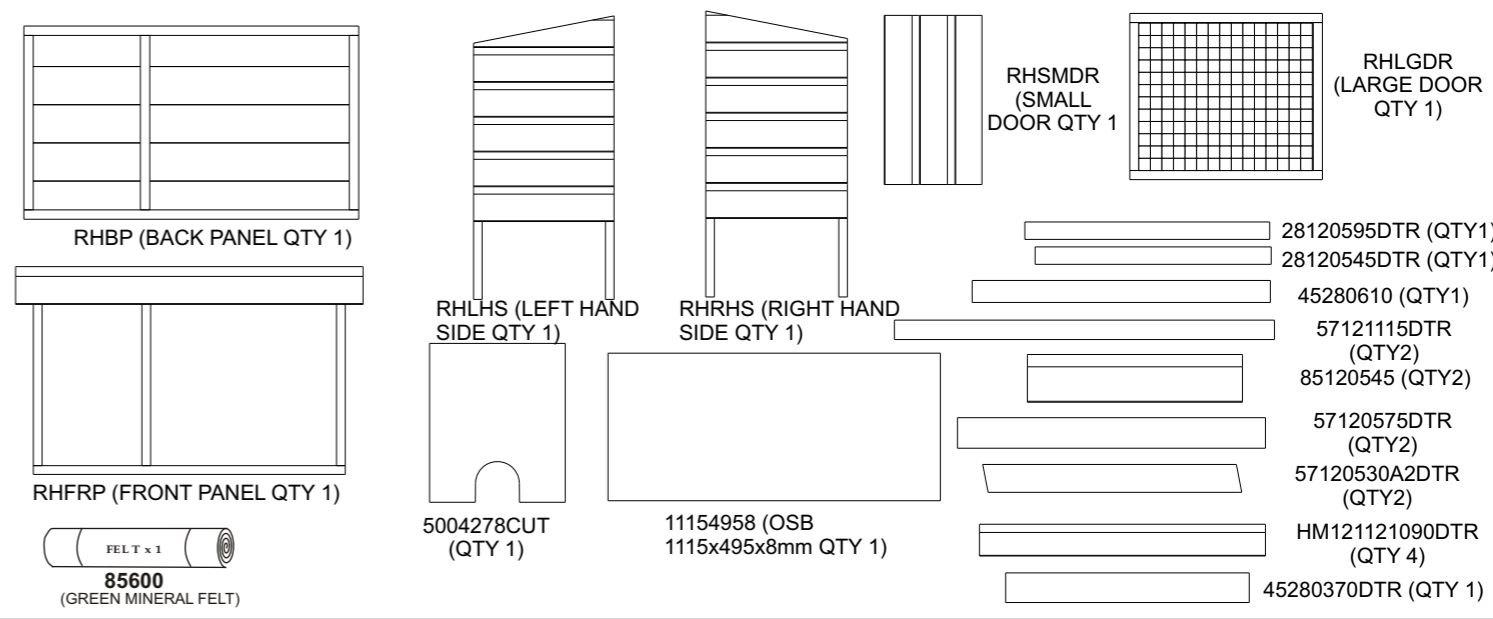


**Important : Assembly of this product requires two people.**

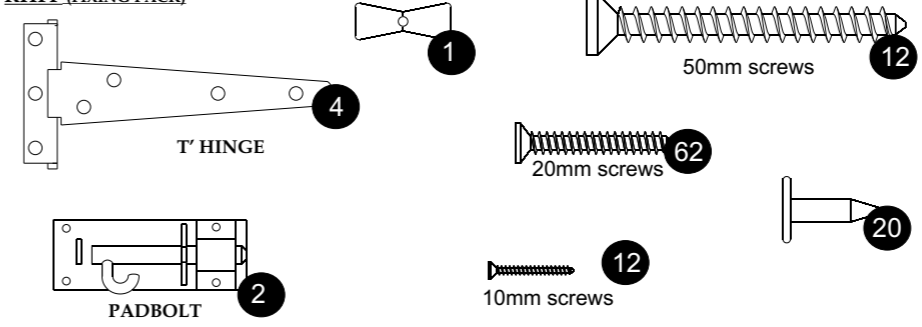


Thank you for choosing this product manufactured by the UK's largest manufacturer of timber garden products. In order to gain the most benefit from it, please note the following:

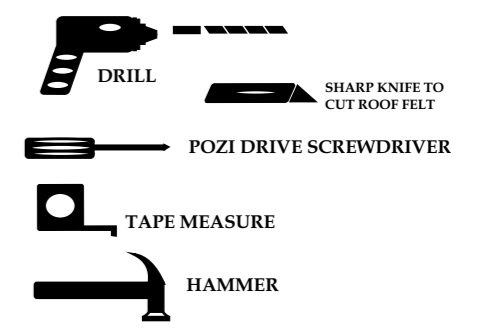
- Exercise particular care and follow instructions.
- This base is pressure treated.
- Please ensure that you thoroughly check all component parts for quantity and quality before you commence building the product. If there are any missing parts, please contact the help line as shown immediately. The manufacturer cannot be held liable for damaged items once any part of the product has been fitted or altered in any way (e.g. Painted)
- Timber is a natural material. It will shrink and swell as a result of varying moisture content.
- Please keep all plastic bags and small parts away from children in order to reduce the risk of suffocation.
- If there are any technical queries with the product, please contact our customer help line on 0844 248 9853 between the hours of 8.30 am and 5.00 pm Monday to Friday.



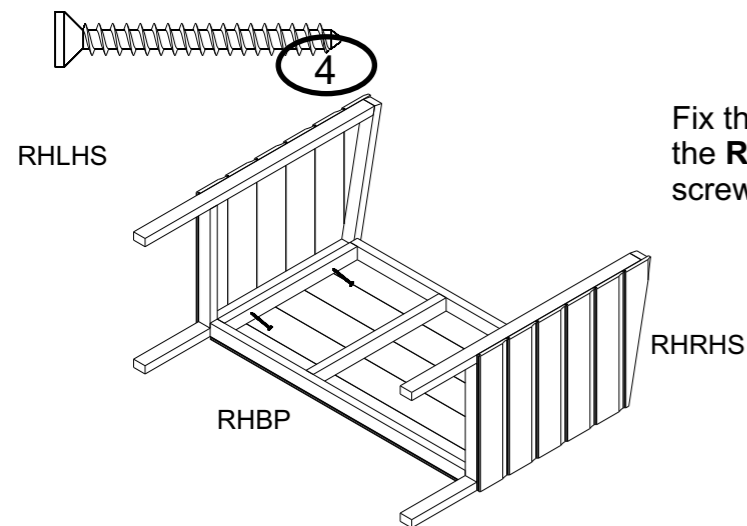
**RHFP (FIXING PACK)**



**REQUIRED TOOLS : (NOT SUPPLIED)**

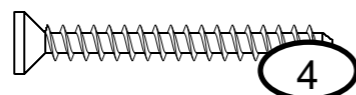


1

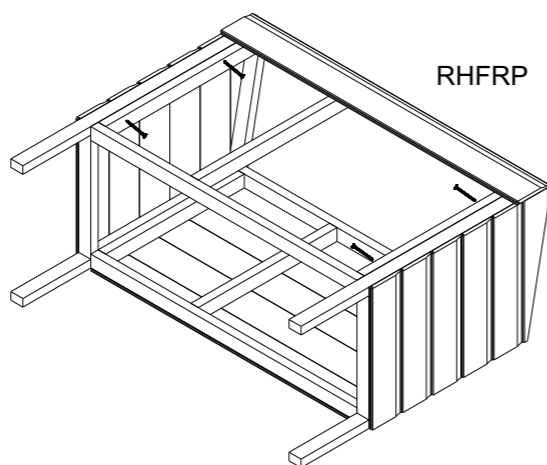


Fix the two **RHLHS** and **RHRHS** (sides) to the **RHBP** (back panel) using 2 x 50mm screws for each

2

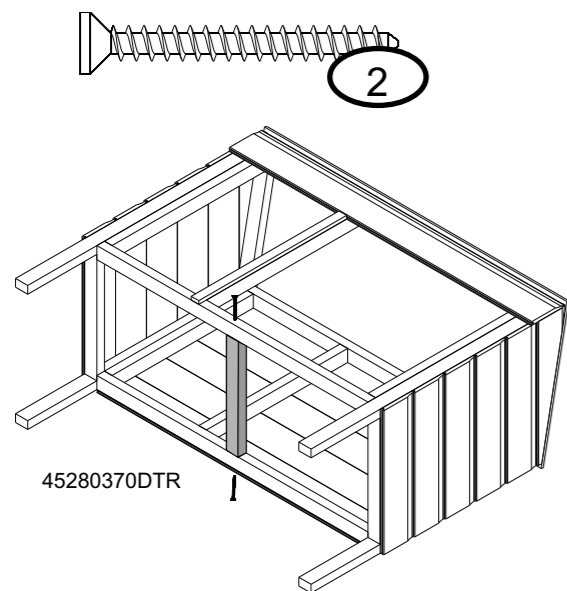


Fix the **RHFRP** (front panel) to the two **RHLHS** and **RHRHS** (sides) using 2 x 50mm screws for each side.



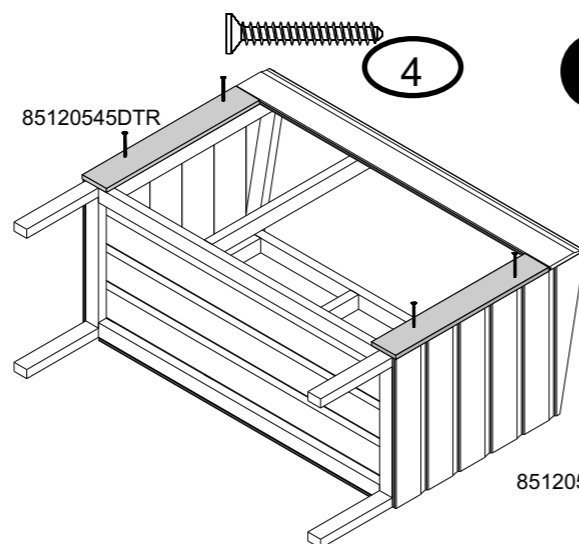
Secure the **45280370DTR** (batten) in between the **RHFRP** (front panel) and the **RHBP** (back panel) using 2x 50mm screws

3

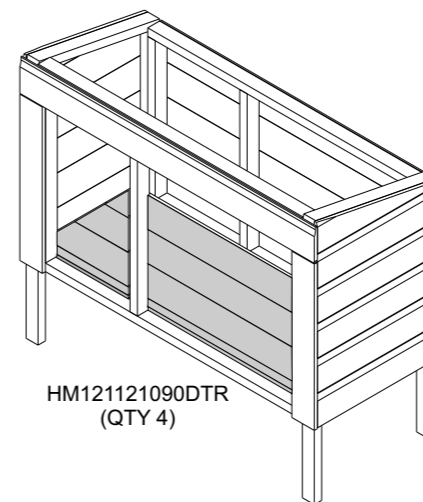


Place the two **85120545DTR**'s on top of the **RHFRP** (front panel) making sure that they are flush with the sides as shown. Fix in place using 2x20mm screws for each.

4



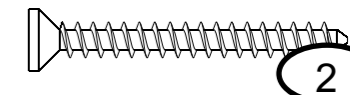
5



Turn the Rabbit hutch so that it is standing up and place the **HM121121090DTR** (Base boards) into position. *These boards interlock* Make sure that the boards have the flat sides facing upwards.

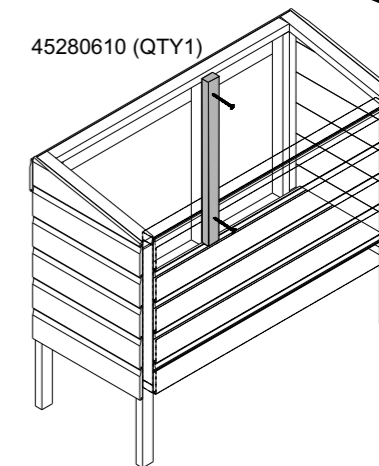
These do not need to be secured

6



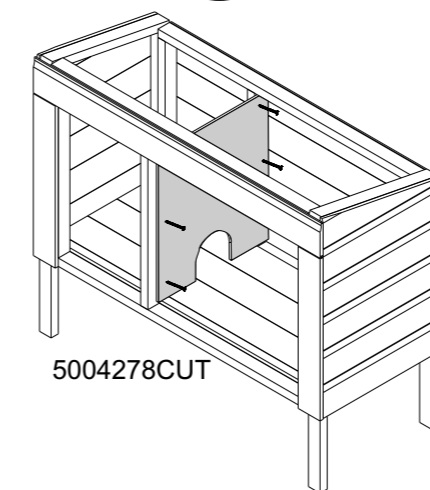
Fasten the **45280610** (batten) on the inside of the **RHFRB** (front panel) as shown. Make sure this sits on the **HM121121090DTR** (base boards) tightly. Secure using 2x 50mm screws.

45280610 (QTY1)

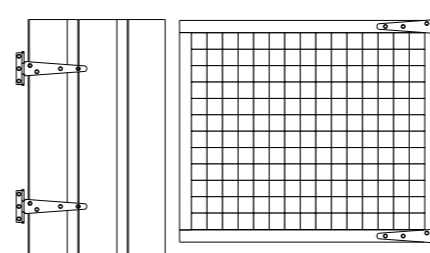


Place the **5004278CUT** inside the Rabbit Hutch and against the **45280610** (batten) you have just placed, and the batten of the **RHBP** (back panel). Fix into position using 3x20mm screws for each side.

7



5004278CUT



RHSMR RHLGDR

8



Place the T' hinges onto the **RHSMR** (small door) and the **RHLGDR** (large door) as shown and fix to the battens using 4x20mm screws for each. Place the doors into the correct slots on the Rabbit Hutch and fix to the hutch using 3x20mm screws for each hinge

