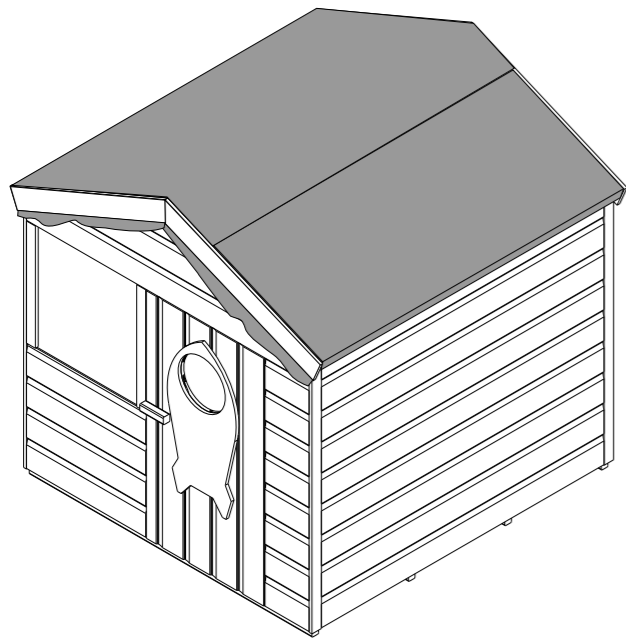


11

Place the **715mm** (barge boards) against the front and back of the playden making sure that they are in line with the apex.

Secure in place using 2x30mm screws for each.

Pre drill the holes before screwing.

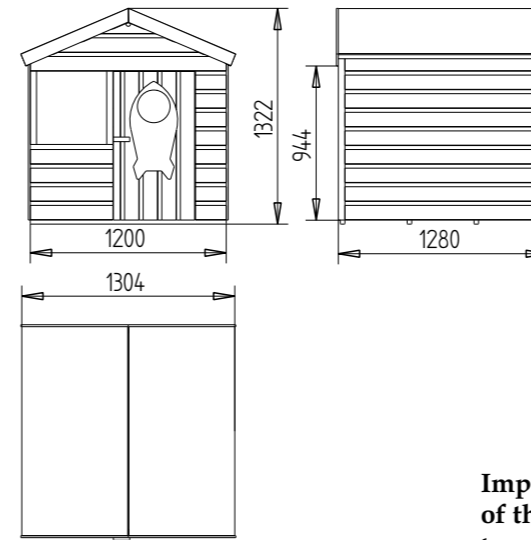


Trim off any excess felt that sticks out underneath the barge boards.

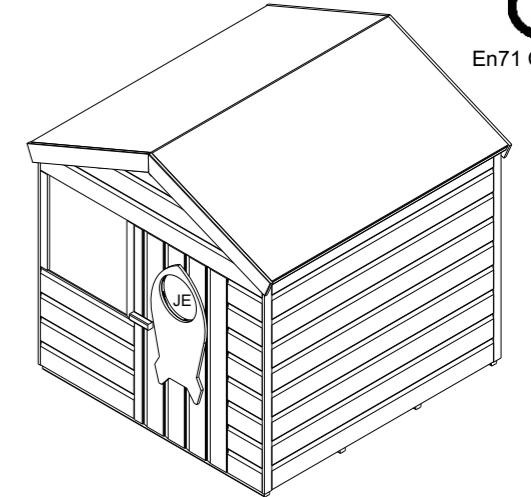
12

# PLAYDEN

0408

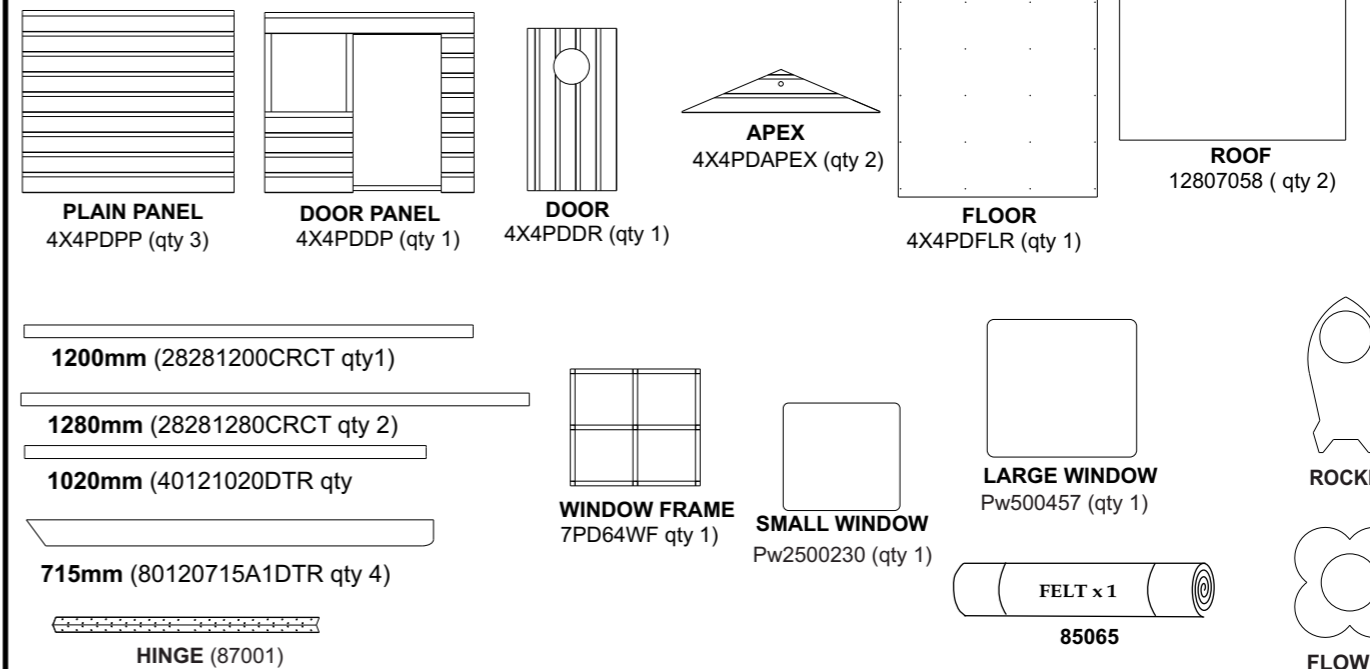


Important : Assembly of this product requires two people.

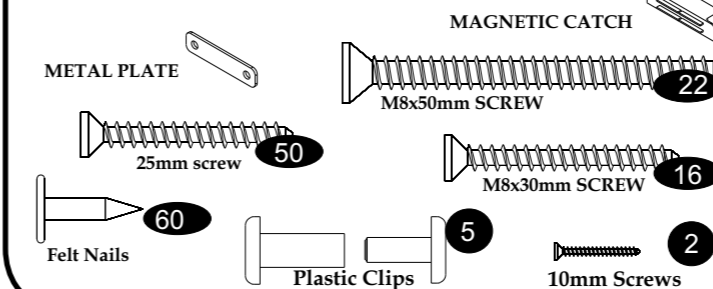


Thank you for choosing this garden building manufactured by the UK's largest manufacturer of timber garden products. In order to gain the most benefit from it, please note the following:

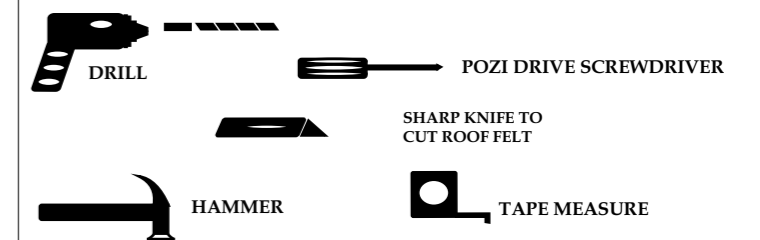
- Exercise particular care and follow instructions whilst cutting the roofing felt. If it is cut incorrectly, additional roofing felt can be inexpensively purchased from most good DIY retailers or garden centres.
- If there are any technical queries with the product, please contact our customer help line on 0844 248 9853 between the hours of 8.30 am and 5.00 pm Monday to Friday.
- Timber is a natural material. It will shrink and swell as a result of varying moisture content.
- Please ensure that you thoroughly check all component parts for quantity and quality before you commence building the product. If there are any missing parts, please contact the help line as shown immediately. The manufacturer cannot be held liable for damaged items once any part of the product has been fitted or altered in any way (e.g. Painted)
- Please keep all plastic bags and small parts away from children in order to reduce the risk of suffocation.
- Make sure that you are building this product on a firm level base.
- This product is for DOMESTIC USE ONLY. Please keep these instructions for further reference.



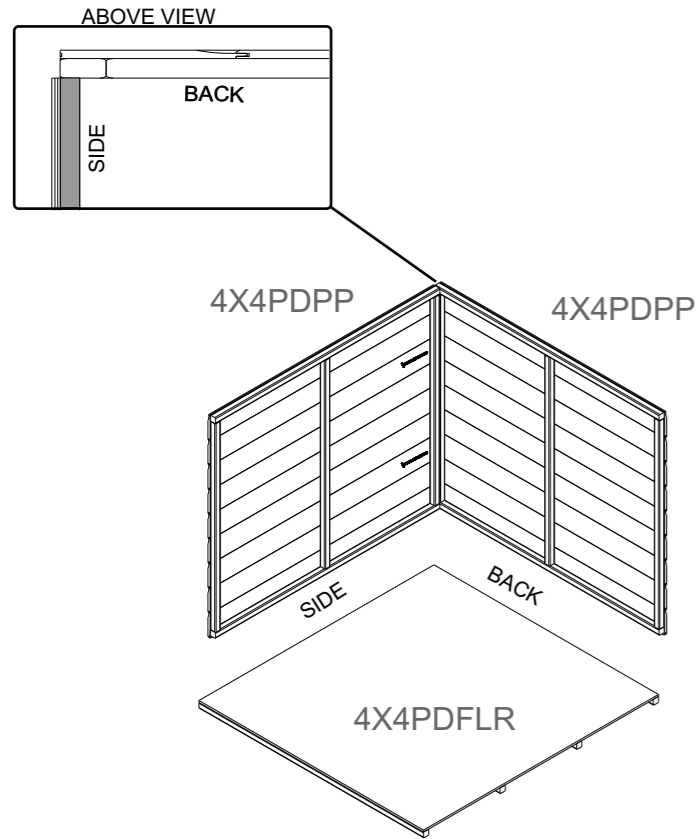
PH04FP (FIXING PACK)



REQUIRED TOOLS : (NOT SUPPLIED)



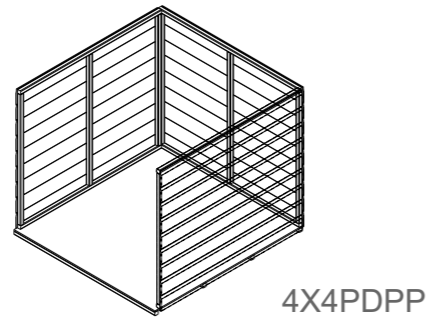
1



Fix two of the **plain panels** (4X4PDPP) together using 2x50mm screws as shown. Making sure that all the edges are flush with the **floor** (4X4PDFLR).

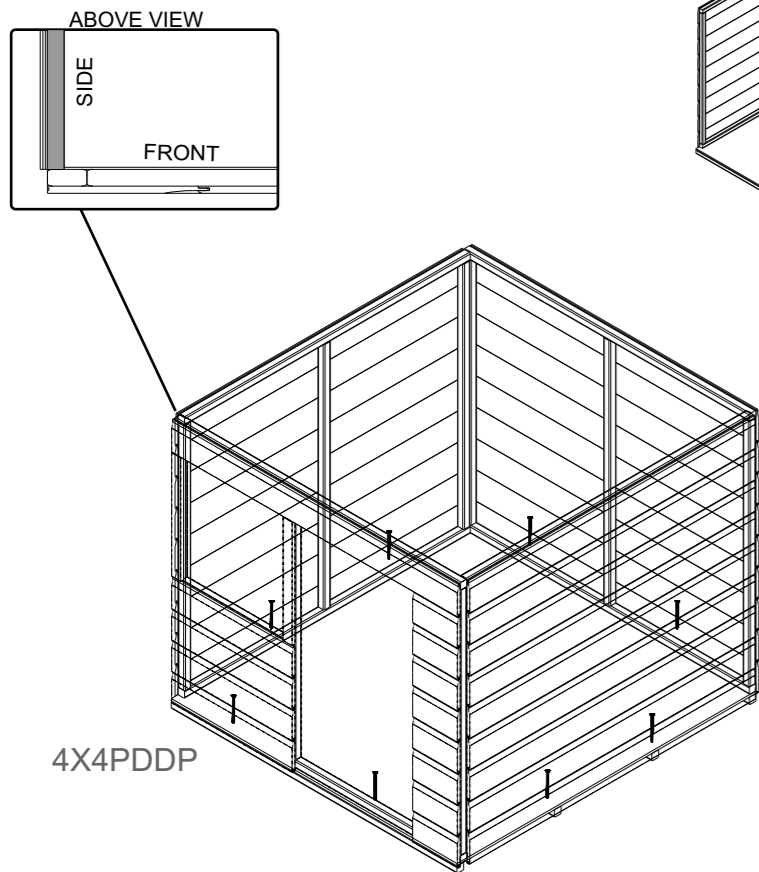
*Do not fix to the floor at this point.*

Repeat this step with remaining **plain panel** and the **door panel** (4X4PDDP)

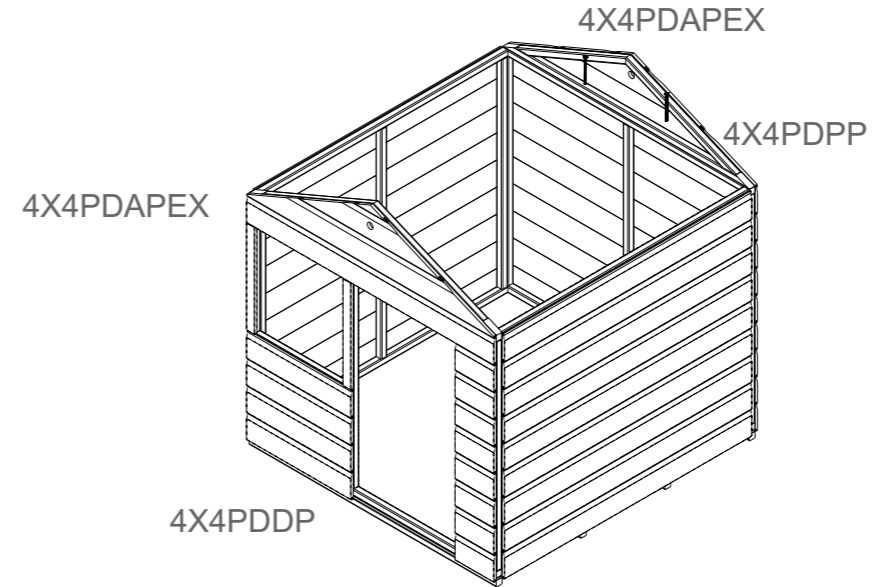


2

Again, making sure that all sides and edges are lined up, secure the structure to the **floor** using 2x50mm screws per panel, screwing into the battens underneath.



3



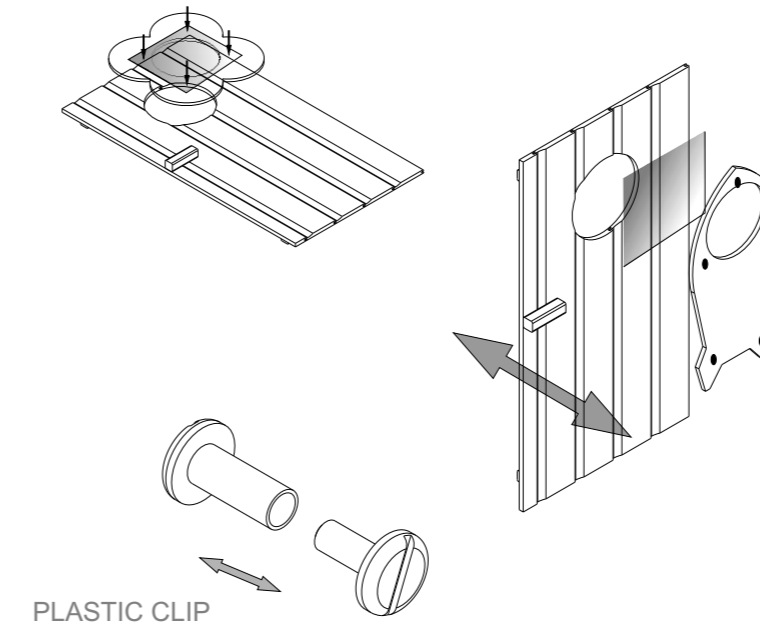
Place an **apex** (4X4PDAPEX) on the **door panel** and the back **plain panel**

So that the boards on the front are in line. Secure using 2x50mm screws for each, screwing down into the batten as shown.



STEP APPLIES TO ROCKET AND FLOWER TEMPLATES

4

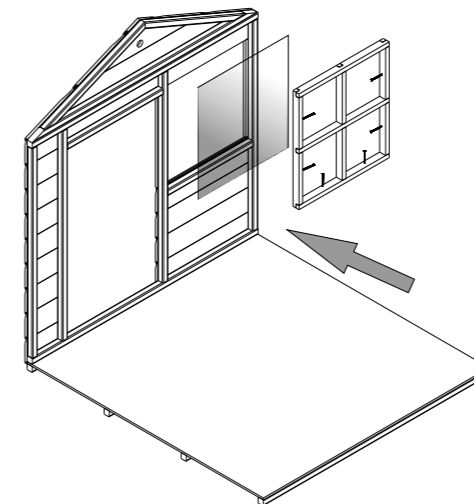


Take the protective film off the **small window** (Pw250230) and place the **rocket** or **flower** over the **door** (4X4PDDP) in the desired position. Place the **small window** over the template so that both line up over the hole.

Pre drill the holes (taking care not to crack the small window) drilling through the small window, the template and the door.

Position the window so that it is sandwiched between the door and the template and secure to the door placing the plastic clips in the holes you have just made. Screw the clips together.

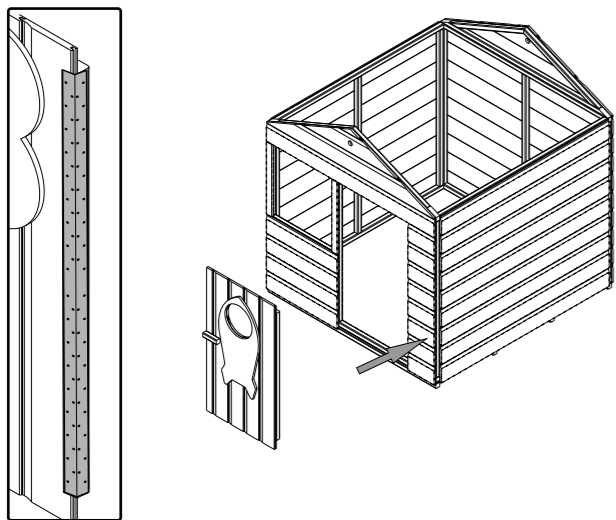
5



Take the protective film off the **Large window** (Pw500457) and place in position on the **door panel** (4X4PDDP) from the inside.

Place the **window frame** (7PDWF) against this and secure using 30mm screws. 2x30mm screws for each side and the bottom as shown

*Timber is a natural material and may shrink or swell dependent on water content, possibly leading to a tight placement of the window frame. Tap gently into position.*



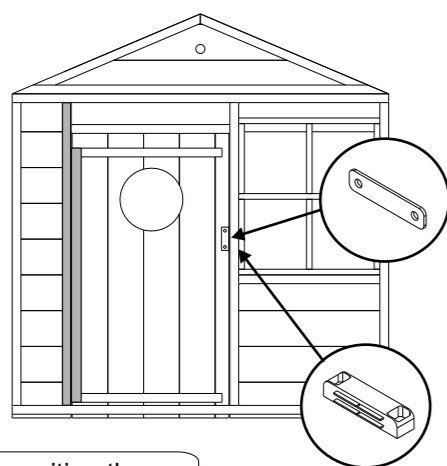
6

Open the **hinge** (87001) to an 'L' shape and place against the door as shown so that it sits on the front of the door and the batten on the side. Make sure that the hinge is level with the batten. Using 9x25mm screws, fix the side of the hinge to the batten.

Offer the **door** (4X4PDDR) into the **door panel** and secure the other half of the **hinge** to the door frame. Again using 9x25mm screws. Make sure when positioning that the **door** has enough clearance on all sides to open freely

When the hinge is mounted correctly the gap between the door and the frame should be consistently less than 5mm

Place the magnetic plate about mid way up the door and in line with the edge as shown. Secure in place using 2x10mm screws.

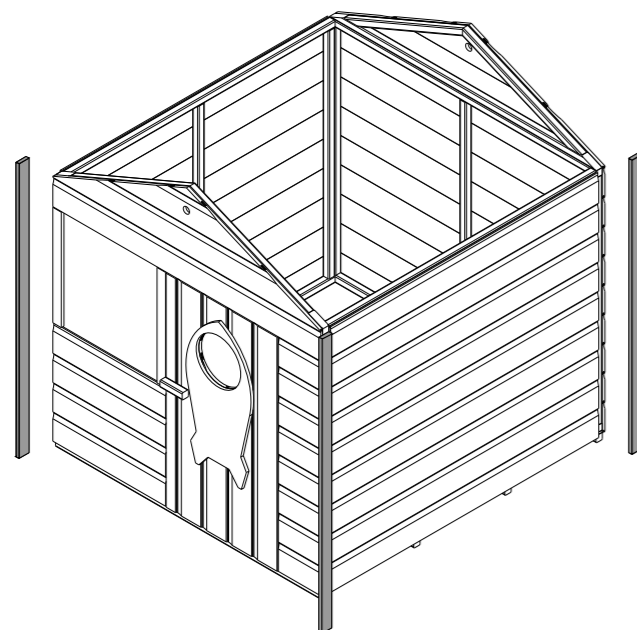


Close the door and position the magnetic catch so that it will contact with the plate. Secure the magnetic catch in position, fixing it to the door frame using 2x30mm screws.

7

Fix the four **1020mm** (corner strips) to the corners of the structure. Screw each one in place using 3x25mm screws.

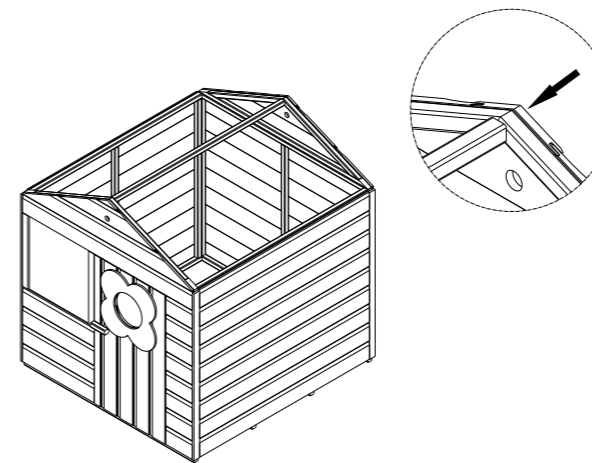
Take care to line up the corner strips so that they are flush with the outside surfaces and the top of the plain panels.



8

Place the **1200mm** (batten) between the two **apexes** (4X4PDAPEX). Make sure that it is central and lined up as shown. Secure the batten in place using 2x50mm screws, screwing from outside the playden.

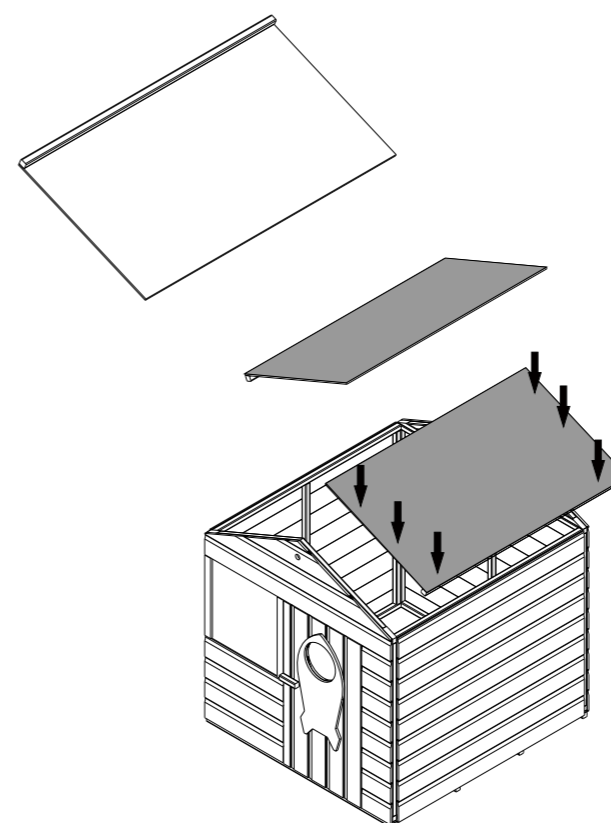
Pre drill holes before screwing.



9

Attach a **1280mm** (batten) to the long edge of one of the **roof** sections making sure that all edges are flush. Secure in place screwing through the **roof** into the **1280mm** batten using 4x25mm screws.

Once both roof section are completed, place them on top of the structure so that the **1280mm** batten overhangs on the sides and the roof is flush with the front and back of the playden. Secure the **roof** sections to the playden using 6x25mm screws for each panel as shown.



10

Cut the **felt** into 2 equal lengths and place on to of the roof so that they overlap, as shown. Fold the edges of the felt over and secure the felt in place using the felt nails provided.

