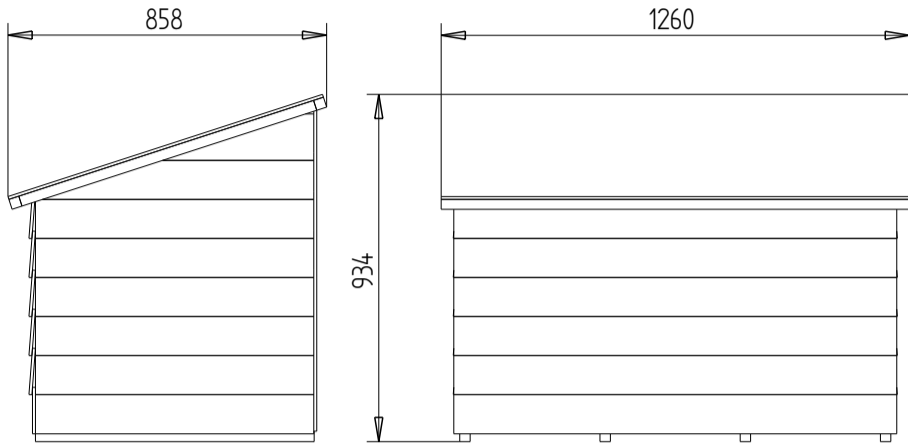
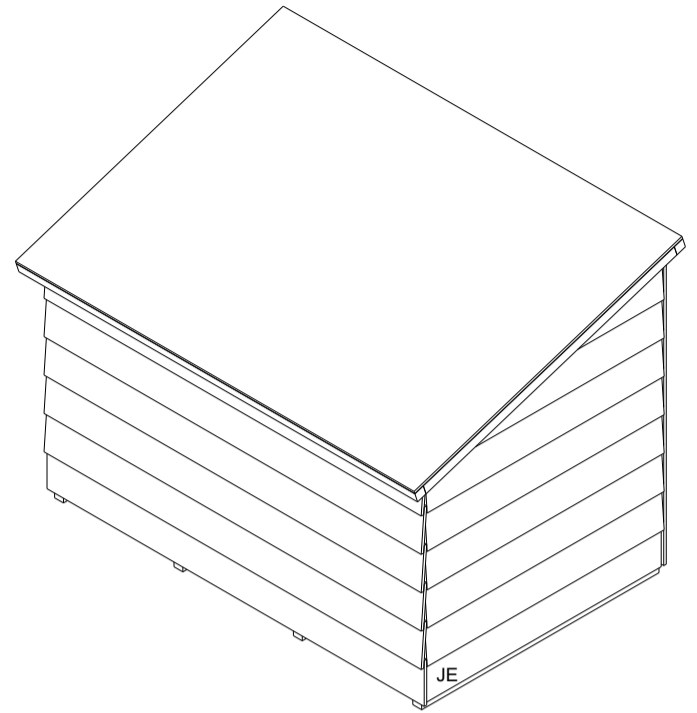


# Garden Chest

ISSUE 0109

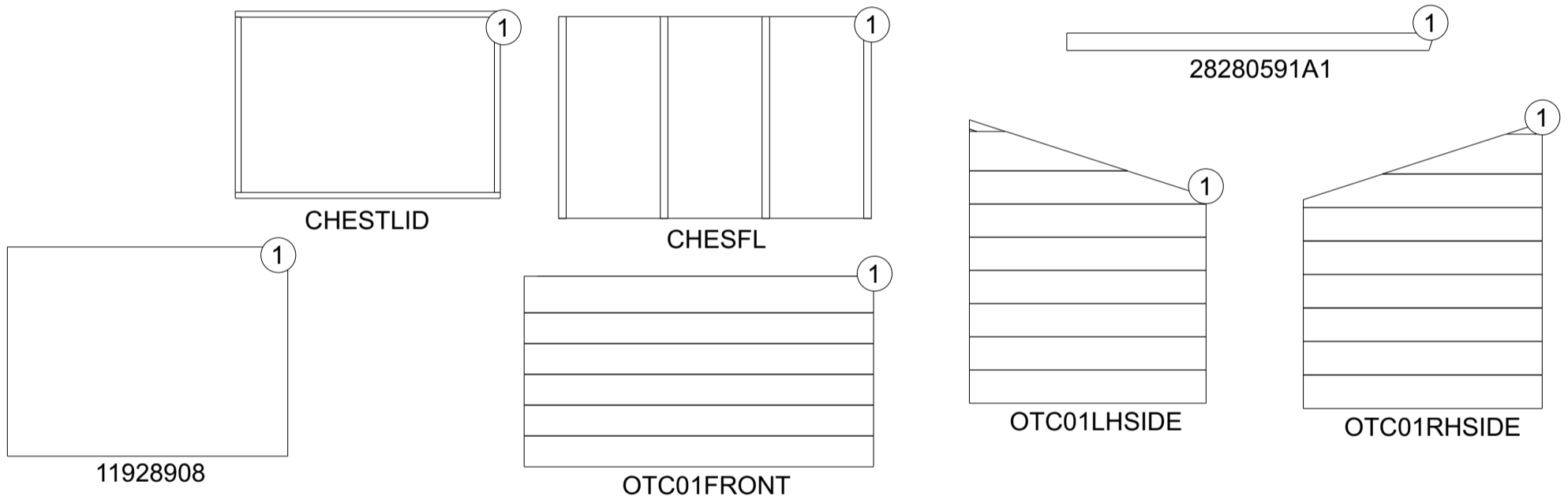


"IMPORTANT, RETAIN FOR FUTURE REFERENCE: READ CAREFULLY."

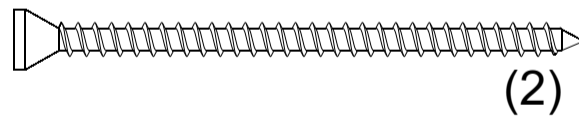
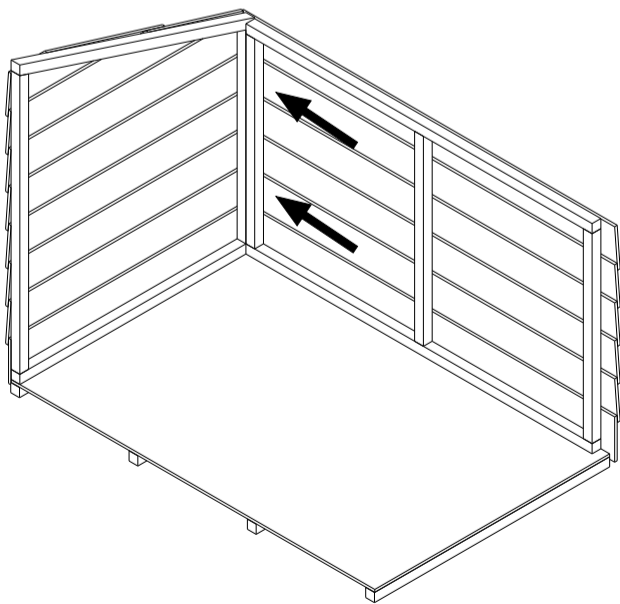


Thank you for choosing this product manufactured by the UK's largest manufacturer of timber garden products. In order to gain the most benefit from it, please note the following:

- Exercise particular care and follow instructions.
- This product is Dip treated autumn gold. For extra protection from the elements we recommend that you treat your structure using a wood preservative treatment. Apply in accordance with the manufacturers instructions.
- Please ensure that you thoroughly check all component parts for quantity and quality before you commence building the product. If there are any missing parts, please contact the help line as shown immediately. The manufacturer cannot be held liable for damaged items once any part of the product has been fitted or altered in any way (e.g. Painted)
- Timber is a natural material. It will shrink and swell as a result of varying moisture content.
- Please keep all plastic bags and small parts away from children in order to reduce the risk of suffocation.
- Important Note : Do not lean or stand on the product during assembly this product is not load bearing.
- If there are any technical queries with the product, please contact our customer help line on 0844 248 9853 between the hours of 8.30 am and 5.00 pm Monday to Friday.

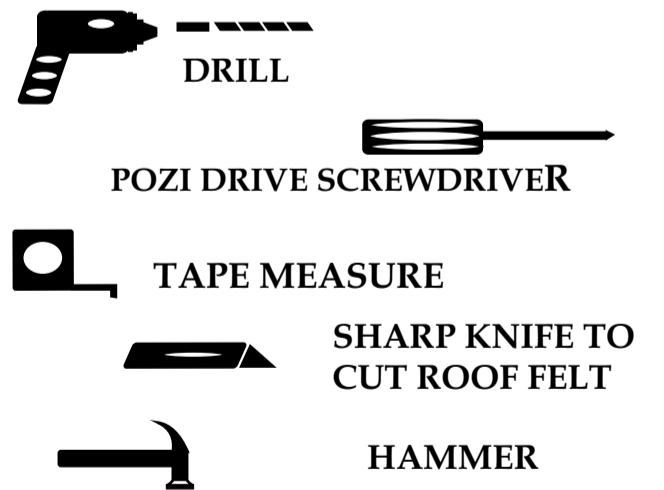


1

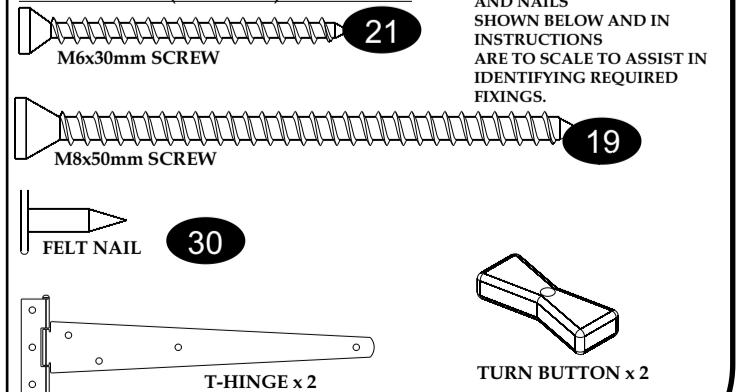


Place the **OTC01FRONT** and the **OTC01RHSIDE** together on the **CHESFL** as shown. Secure these together using 2x50mm screws.

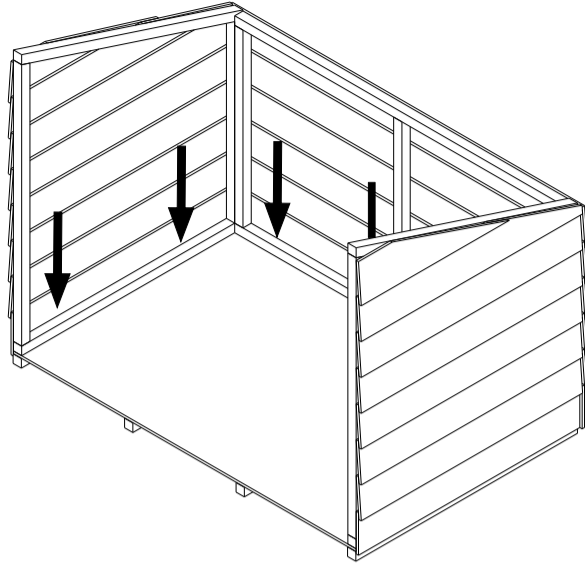
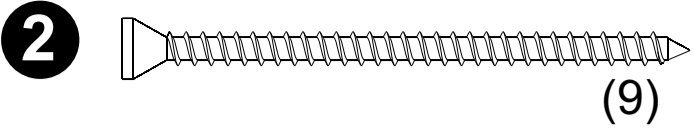
## REQUIRED TOOLS : (NOT SUPPLIED)



## FIXING PACK (CHESTFP) CONTENTS :



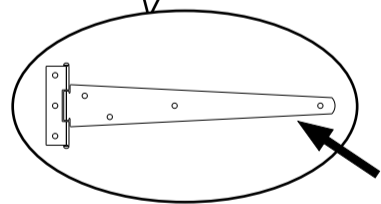
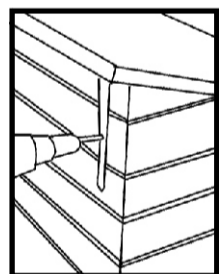
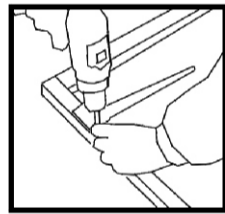
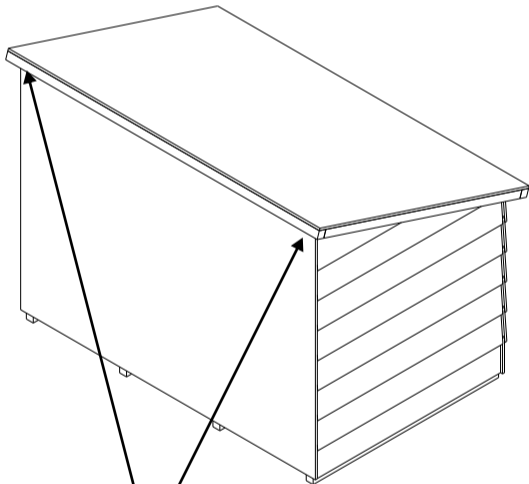
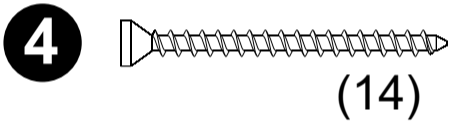
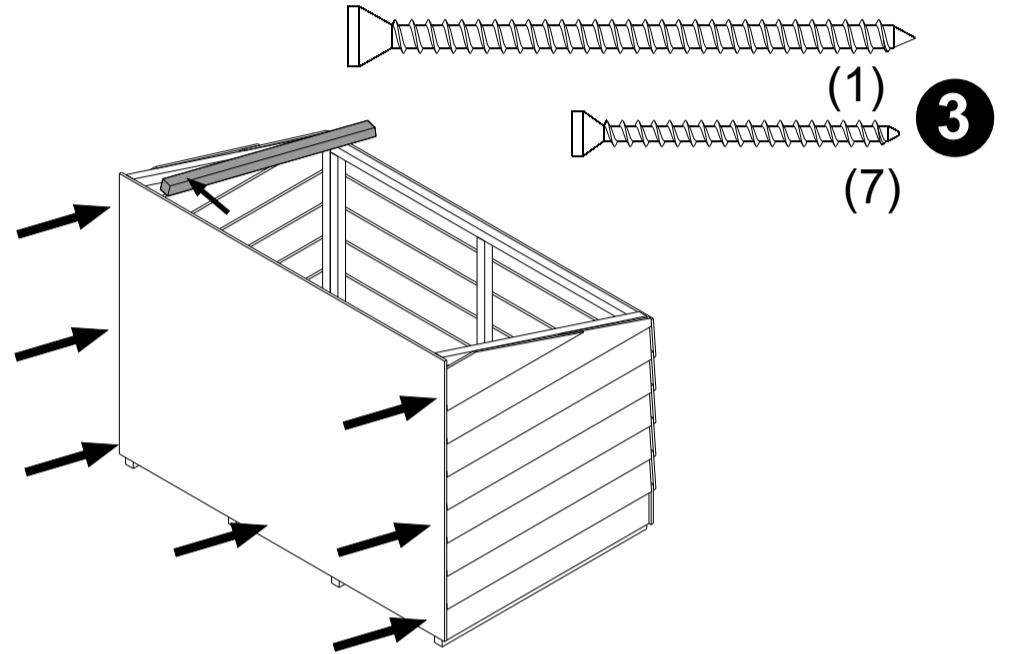
PLEASE NOTE: ALL SCREWS AND NAILS SHOWN BELOW AND IN INSTRUCTIONS ARE TO SCALE TO ASSIST IN IDENTIFYING REQUIRED FIXINGS.



Repeat the same procedure as in step 1 with the **OTC01LHSIDE** using 2x50mm screws

Secure all three panels to the **CHESTFL** using 7x50mm screws. 2x50mm screws for each side and 3x50mm screws for the front

Place the **11928908** (OSB) against the back of the product.  
Secure into position using 7x30mm screws positioned as shown.  
Place the **28280591A1** (prop) Against the inside of the **OTC01RHSIDE** and secure in place using 1x50mm screw.



Fix the two hinges to the **CHESTLID** as shown, using 3x30mm screws, Make sure that these are positioned so that the other part of the hinge can be secured to the battens of the side panels.

Place the **CHESTLID** on top of the product and secure in position using the remaining 30mm screws to fix the hinges.

Unroll the **85062** (felt) and place it over the chest. Fold the corner neatly and secure the felt to the roof using felt nails, spaced out 150mm apart.

