

CORNER SHED - ASSEMBLY INSTRUCTIONS



**IMPORTANT :
ASSEMBLY OF THIS
SHED REQUIRES TWO
PEOPLE**

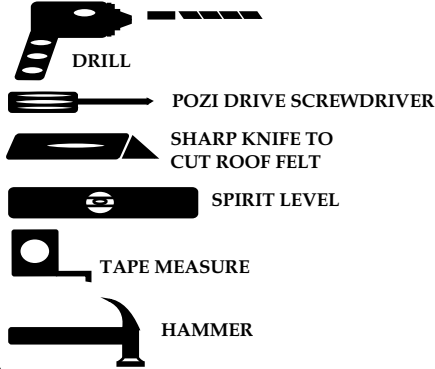
ISSUE 0110

IMPORTANT, RETAIN FOR FUTURE REFERENCE: READ CAREFULLY

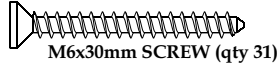
Thank you for choosing this garden building manufactured by the UK's largest manufacturer of timber garden products. In order to gain the most benefit from it, please note the following:
 - Exercise particular care and follow instructions whilst cutting the roofing felt. If it is cut incorrectly, additional roofing felt can be inexpensively purchased from most good DIY retailers or garden centres.
 - Most buildings are pre-treated with a factory base coat for protection during storage and transit. We recommend that you treat your new building as soon as possible after assembly, using a wood preservative treatment. Apply in accordance with the manufacturers instructions.

- Please ensure that you thoroughly check all component parts for quantity and quality before you commence building the product. If there are any missing parts, please contact the help line as shown immediately. The manufacturer cannot be held liable for damaged items once any part of the product has been fitted or altered in any way (e.g. Painted)
 - Timber is a natural material. It will shrink and swell as a result of varying moisture content.
 - Please keep all plastic bags and small parts away from children in order to reduce the risk of suffocation.
 - This product should not be placed directly on the ground. A sufficient base is needed.
 - The roof of this building is not load bearing. Please DO NOT rest or stand on.

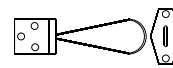
REQUIRED TOOLS : (NOT SUPPLIED)



FIXING PACK CONTENTS :



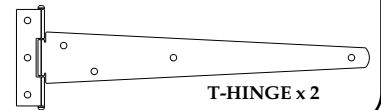
PLEASE NOTE: ALL SCREWS AND NAILS SHOWN BELOW AND IN INSTRUCTIONS ARE TO SCALE TO ASSIST IN IDENTIFICATION OF REQUIRED FIXINGS.



HASP AND STAPLE x 1

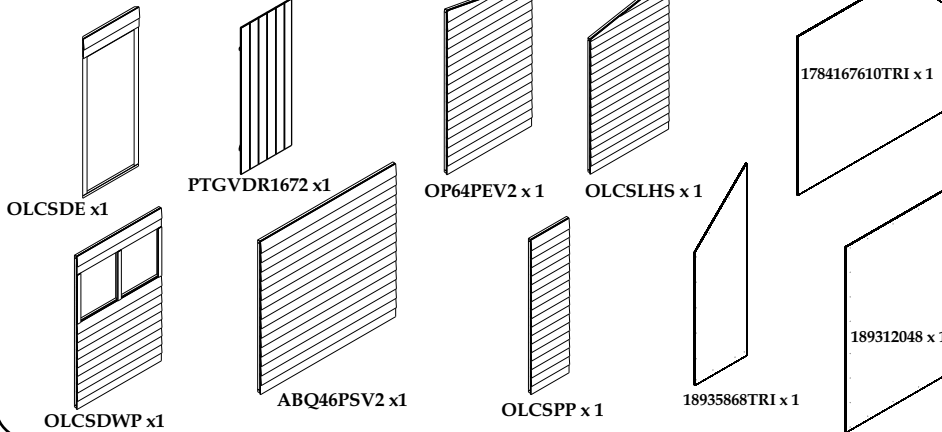


Z BRACKET x 2



T-HINGE x 2

Components Included :



Loose Timber Items Included :

Floor Batts :
 (28281271A1PTR) 28x28x1271mm angled qty 1 (61080586A1DTR)
 (28281514A1PTR) 28x28x1514mm angled qty 1 61x8x586mm angled one end qty 1.
 (28281784PTR) 28x28x1784mm qty 4

Roof Batts :
 (28280558) 28x28x558mm qty 1 (61081204DTR)
 (28280817A2) 28x28x817mm angled qty 1 61x8x1204mm qty 2
 (28281165) 28x28x1165mm qty 2
 (28281335A1) 28x28x1335mm angled qty 1
 (28281893) 28x28x1893mm qty 1
 (28281685) 28x28x1685mm qty 1
 (28281728) 28x28x1728mm qty 1

Glazing Strips :
 (15120520DTR) 15x12x520mm qty 2
 (15120585DTR) 15x12x585mm qty 4

Corner Strips :
 (45151660DTR) 45x15x1660mm qty 2
 (45151870DTR) 45x15x1870mm qty 2

Hinge Strips :
 (48151675DTR) 48x15x1675mm qty 2

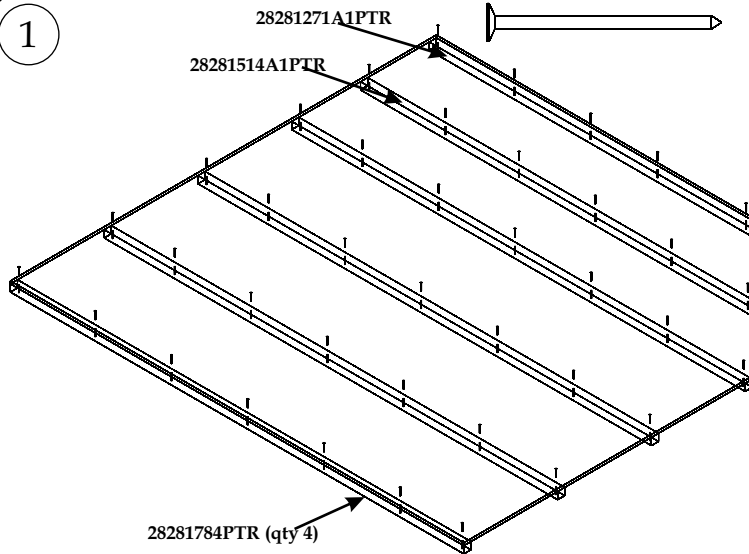
Barge boards:

(61081204DTR) 61x8x1204mm qty 2

Other Included Items :

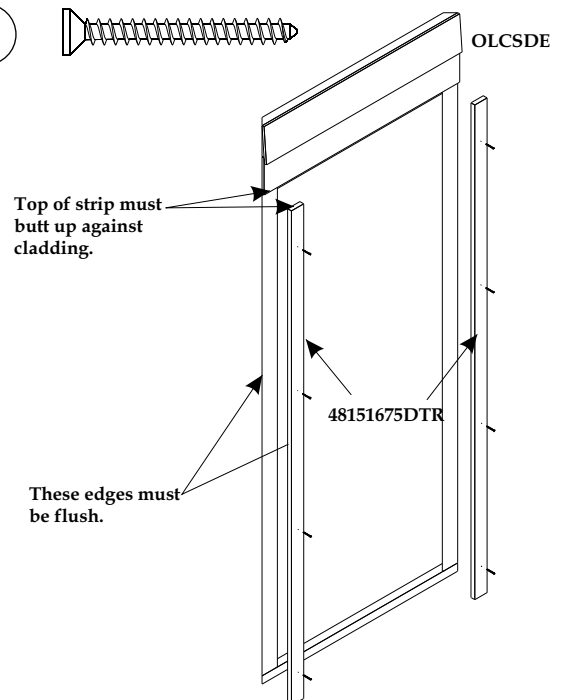
(PW610560) Styrene Window qty 2
 (85009) PVC trim qty 2

1



Lay floor bearers out onto prepared site as shown above. Place 1784167610TRI sheet of OSB on top of the bearers. When happy that bearers are correctly positioned, secure 1784157610TRI (OSB) to each bearer with 30mm nails as shown approximately 150mm's apart. All nails must locate into floor battens.

2



Attach a 48151675 strip to each upright of the OLCSDDE (door panel) with four 30mm screws. Strips must be on same side of door frame as the cladding above the door.

3 OLCSD E

A) Fasten each of the two hinges to the left hand side of the PTGVDR1672 (door) using 30mm screws. Screws must secure into the two horizontal braces on the back of the door.

B) Lay OLCSD E (door end) face up on ground. Position door on door end of shed ensuring that the door is square with equal gaps to left and right and secure each hinge to door end with 30mm screws.

PTGVDR1672

4

Place OP64PEV2 (right hand) side section onto right hand side of Floor if positioned correctly the high side of panel will be to the front. Place ABQ46PSV2 (plain Panel) onto floor and butt up against side panel. Secure through back panel into side panel with three 50mm screws. Do not secure panels to floor at this point.

5

Place OLCSPP (infill panel) onto floor and butt up against side panel. Secure through infill panel into side panel with three 50mm screws. Do not secure panels to floor at this point.

6

Place OLCSLHS (left hand side panel) onto floor as shown above. Back edge (lower side) of panel should be flush with back edge of floor. Secure through back panel into side panel with three 50mm screws. Do not secure panels to floor at this point.

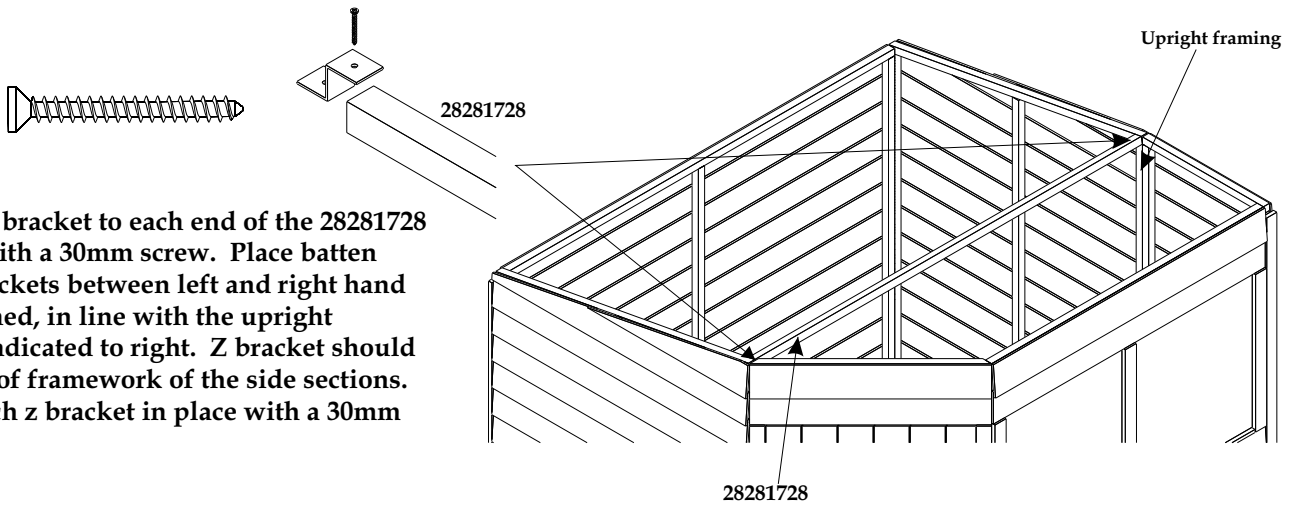
7

Place OLCSDWP (window panel) onto floor as shown above. Window panel must butt up against infill panel. Secure Through window panel into infill panel with three 50mm screws. Do not secure panels to floor at this point.

8

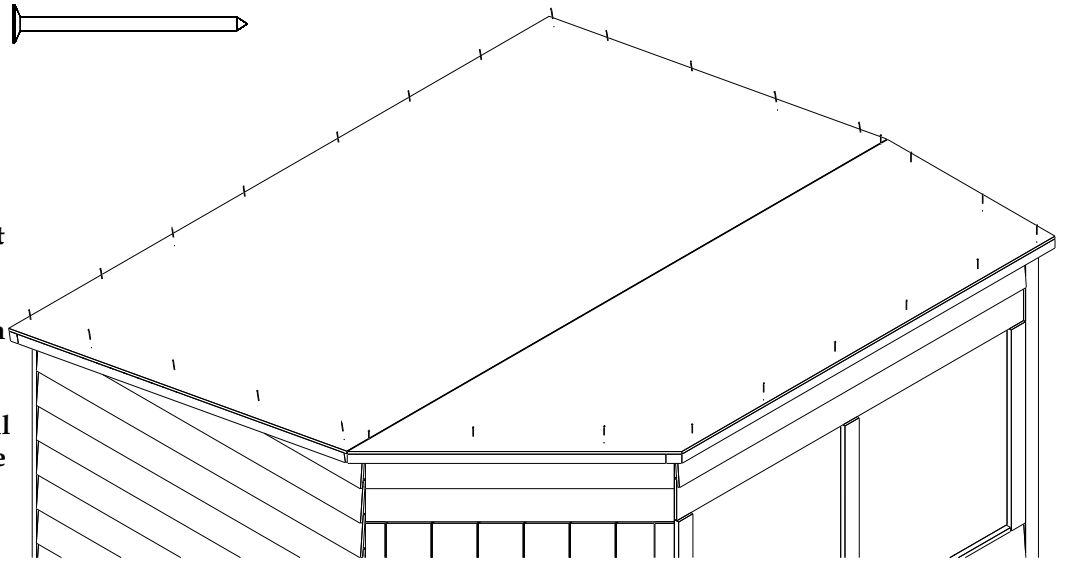
Place the completed OLCSDWP (door panel) onto floor between window and left hand side panels. Secure through side panel and window panel into door panel with three 50mm screws per panel. Once all panels are in place and secured together, fasten each panel to floor with two 50mm screws. All screws must locate into floor bearers.

13



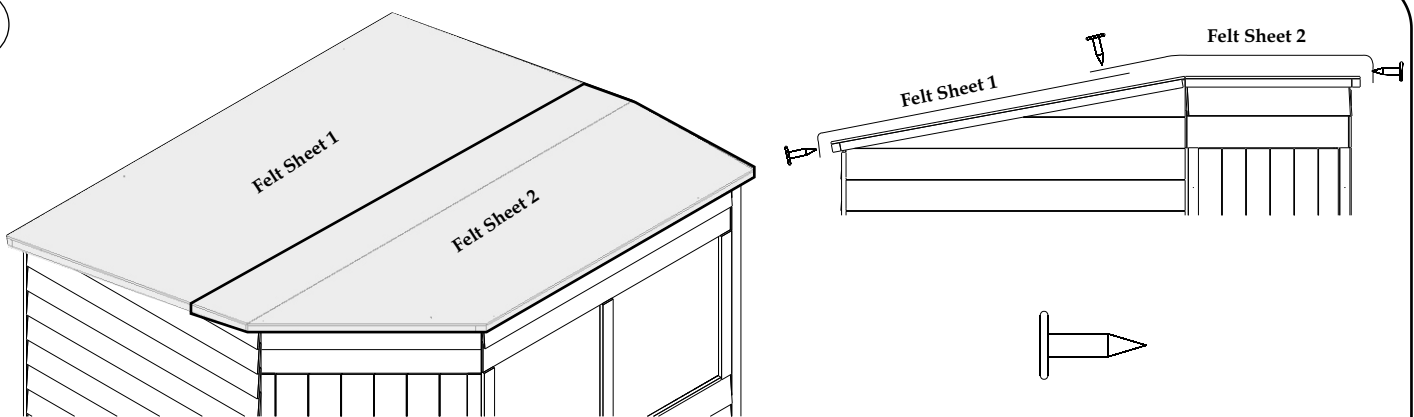
Attach a z bracket to each end of the 28281728 (batten) with a 30mm screw. Place batten with z brackets between left and right hand sides of shed, in line with the upright framing indicated to right. Z bracket should sit on top of framework of the side sections. Secure each z bracket in place with a 30mm screw.

14



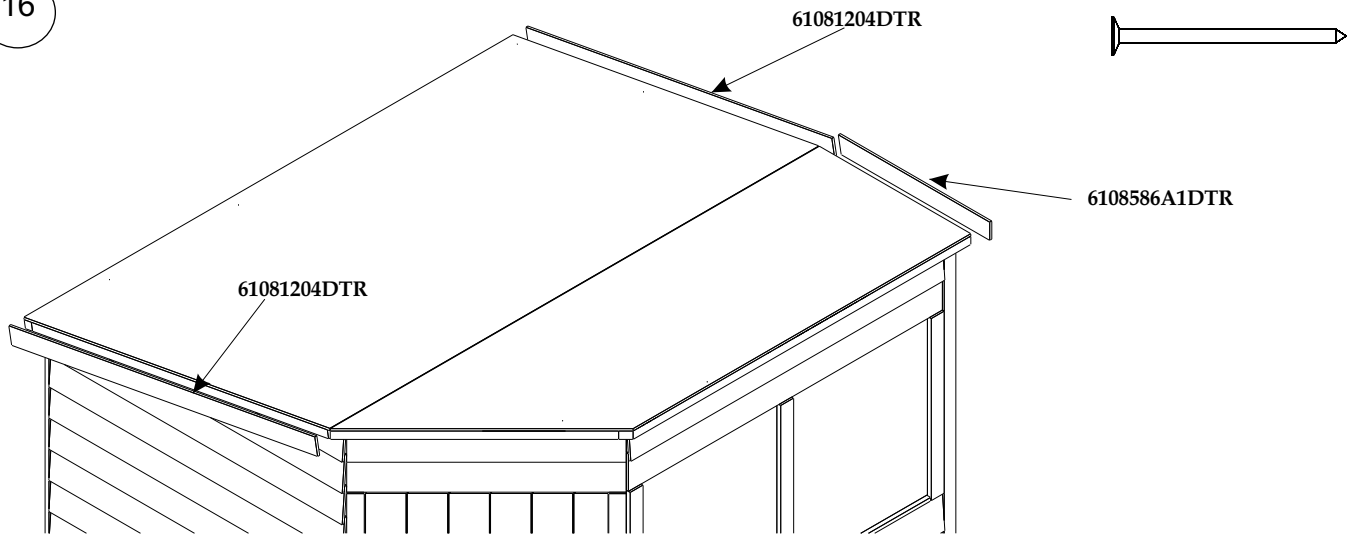
Place each of the two roof sections on top of the shed. The section with the corner cut must be placed at the front with the cut corner over the door. When satisfied that both sections are positioned correctly, secure each in place with 30mm nails as shown. All nails must locate into top piece of framework on each side section.

15



Roll felt out flat on ground, and cut into two equal lengths. Place first piece of felt at back of shed, running between the left and right hand sides. Allow equal overhang to left and right sides, and approximately 40mm overhang at the back. Secure in place along the three outer edges with felt nails placed at 150mm intervals. Cut and fold felt at corners and secure each fold in place with a felt nail. Place second piece of felt on roof so that it overhangs by equal amounts to the left and right hand sides, and by approximately 40mm at the front (felt sheet 2 should overlap felt sheet 1). Secure felt in place along all edges with felt nails placed at 150mm intervals. Cut and fold felt at corners and secure each fold in place with a felt nail.

16



Attach each barge board as shown above with three 30mm nails. Top of barge board must be flush with top of roof.