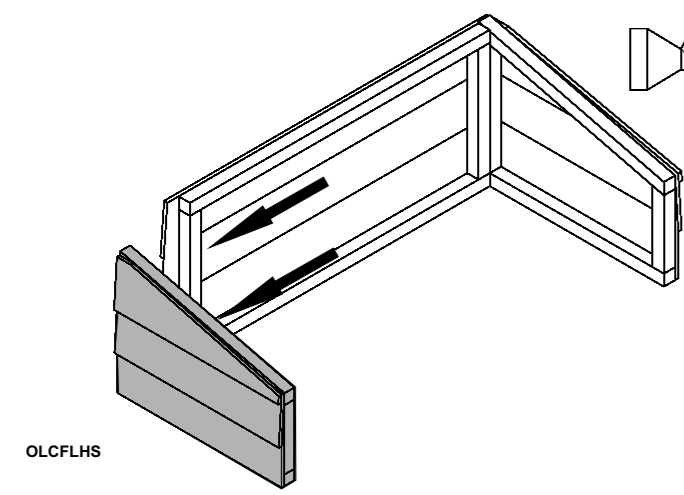
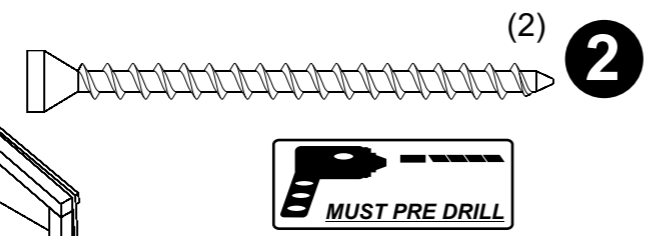
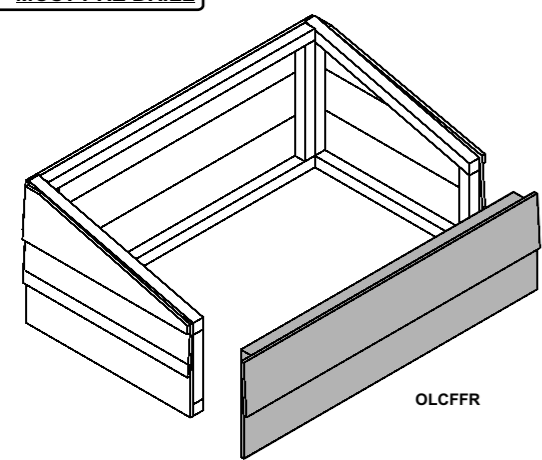
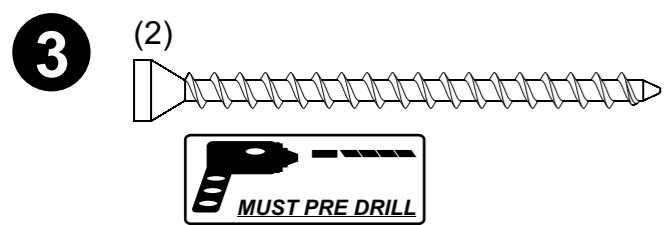


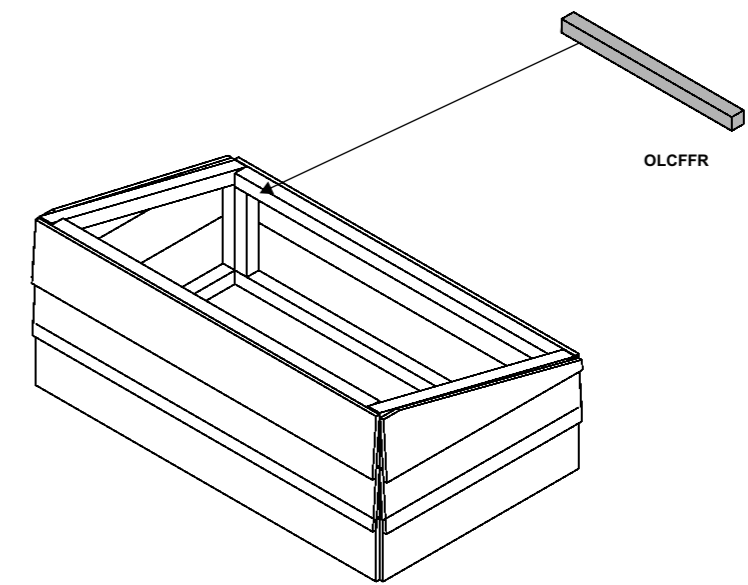
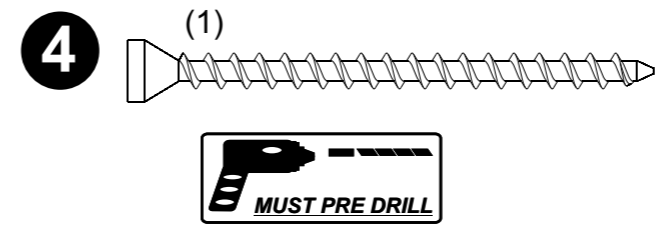
Secure the back panel to the right hand side using 2x50mm screws.



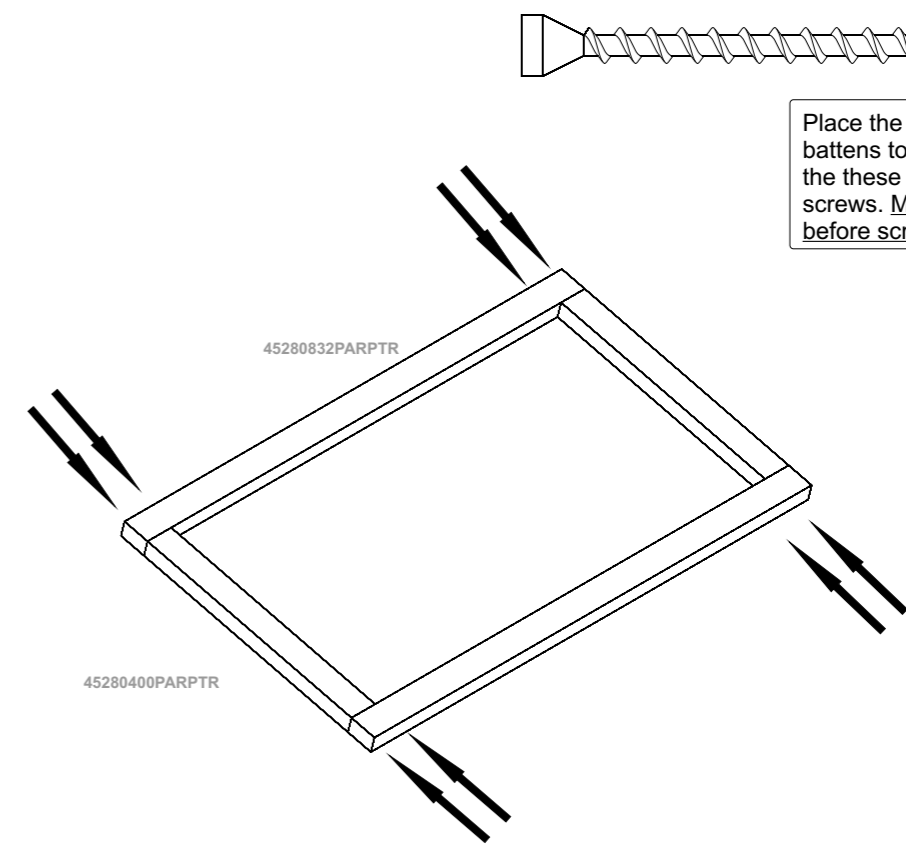
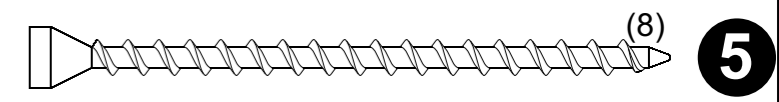
Repeat the same step as before with the left hand panel



Place the front panel so that it meets up with the two side panels. Secure using a 50mm screw for each side

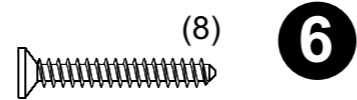
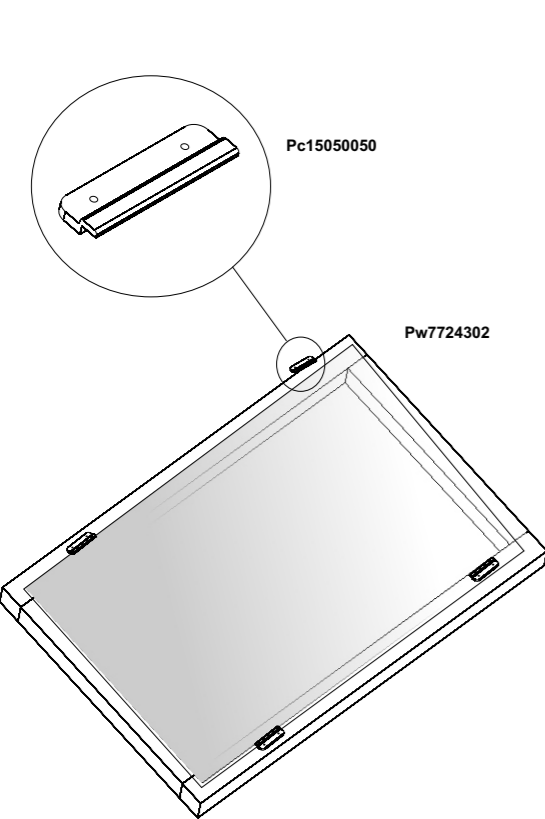


Place prop on the inside of the front panel. Fix in place using a single 50mm screw at one end, making sure that the prop can pivot.

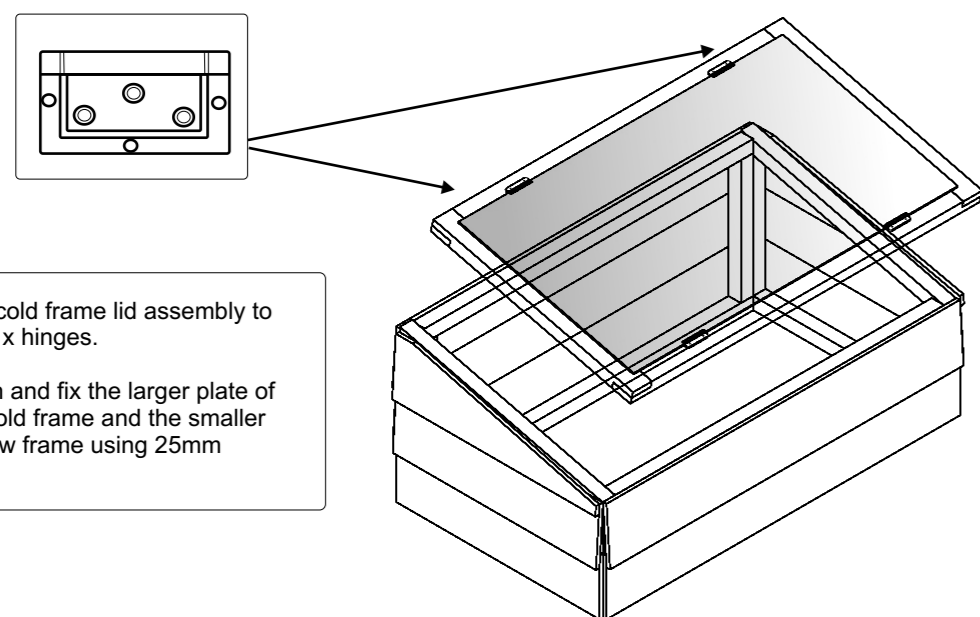
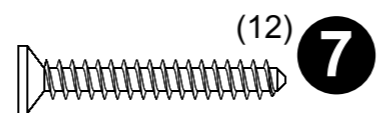


Place the Large and Small window battens together as shown. Secure these together using 2x60mm screws. Make sure you PRE DRILL before screwing





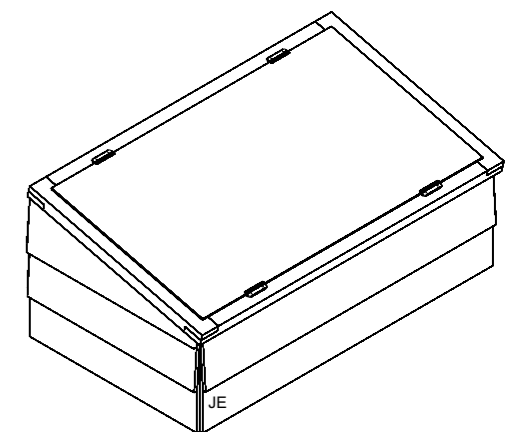
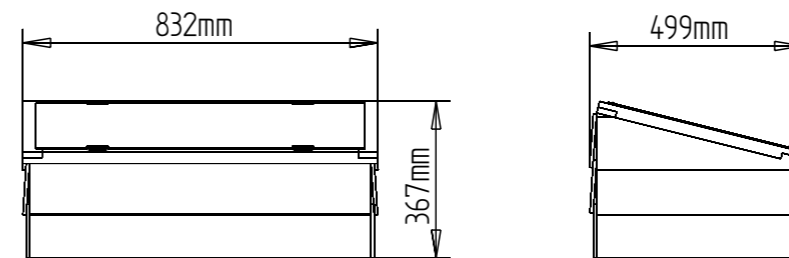
Place the cold frame window onto the lid as shown. Position it so there is an equal gap on all sides and secure in place using the plastic clips provided. Use 2x20mm screw for each for each clip.



Place and fix the cold frame lid assembly to the frame using 2 x hinges.
Position as shown and fix the larger plate of the hinge to the cold frame and the smaller plate to the window frame using 25mm screws.

COLD FRAME

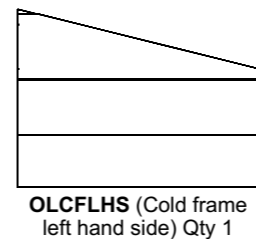
0209



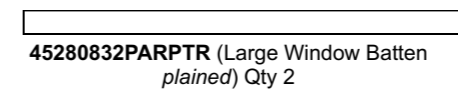
Thank you for choosing this product manufactured by the UK's largest manufacturer of timber garden products. In order to gain the most benefit from it, please note the following:

- Exercise particular care and follow instructions.
- This product is pressure treated to ensure longevity of all timber components against rot. This may leave a colour difference on some parts that will even out as the moisture content stabilises.
- Please ensure that you thoroughly check all component parts for quantity and quality before you commence building the product. If there are any missing parts, please contact the help line as shown immediately. The manufacturer cannot be held liable for damaged items once any part of the product has been fitted or altered in any way (e.g. Painted or Sawn)
- Timber is a natural material. It will shrink and swell as a result of varying moisture content.
- Please keep all plastic bags and small parts away from children in order to reduce the risk of suffocation.
- If there are any technical queries with the product, please contact our customer help line on 0844 248 9853 between the hours of 8.30 am and 5.00 pm Monday to Friday.

IMPORTANT, PLEASE RETAIN FOR FUTURE REFERENCE: READ CAREFULLY



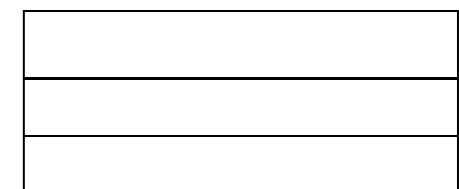
OLCFLHS (Cold frame left hand side) Qty 1



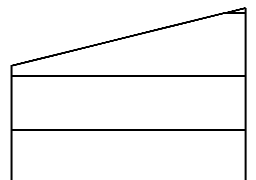
45280832PARPTR (Large Window Batten plained) Qty 2



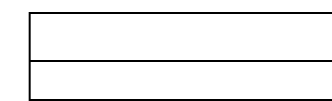
45280400PARPTR (Cold frame front plained) Qty 2



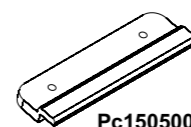
OLCFBP (Cold frame back) Qty 1



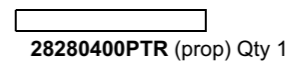
OLCFRHS (Cold frame left hand side) Qty 1



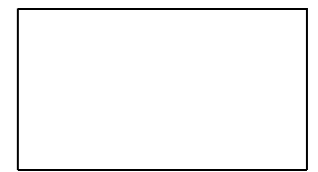
OLCFFR (Cold frame front) Qty 1



Pc15050050 (plastic clip) Qty 4

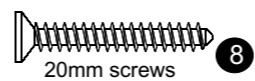


28280400PTR (prop) Qty 1

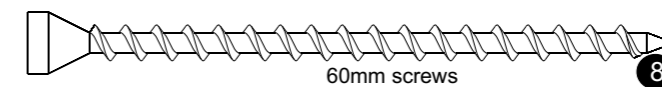


Pw7724302 (Window) QTY 1

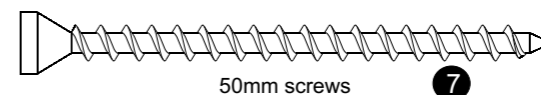
OLCFEP (FIXING PACK)



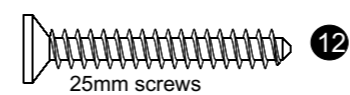
20mm screws 8



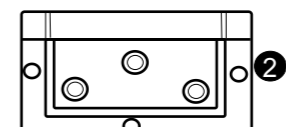
60mm screws 8



50mm screws 7



25mm screws 12



2

REQUIRED TOOLS : (NOT SUPPLIED)



DRILL



POZI DRIVE SCREWDRIVER



TAPE MEASURE