

**5**

100mm NUT and BOLT 8

70mm 4

One 60x44x200mm block is provided to support the rafter sections. Secure this block to the panels through the 60mm side using 2x70mm screws..

**MUST PRE DRILL**

**6**

70mm 42

Secure all panels to the decked floor using 3 x 70mm screws equally spaced in each panel.

Secure roof panel using 6x70mm screws per panel. Screw from the inside of the building out. Repeat for all roof panels

Repeat this process with both window panels. The opening window can go in any of the openings even though the drawing shows it in the middle

**10**

50mm 8

Secure each 45281500PARSPTR (window drip strip) directly above the window and secure using 4x50mm screws per strip into the window panel frame work.

**11**

15121344PTR 30mm 24

15121805PTR 30mm

Attach 15121344PTR and 15121805PTR (beading) flush with the inside of the door way top bottom and sides secure using 3x30mm screws per batten.

**REPEAT ON SECOND DOOR PANEL**

**7**

70mm 3

15120500PTR

15120650PTR

ACRWIN6704953

SUMTOPINS

55221760MPPTR

PANEL PIN 54

Secure the top insert beading in place using the panel pins provided

Attach the 55221760MPPTR (packing strip) to the top of the opening using 3x70mm screws. Glaze the SUMTOPINS (window Insert). Install the Window Insert into the opening secure using 6x120mm screws.

**12**

56

PANEL PIN

15120510PTR

15121640PTR

ACRWIN1605103

MODSUMDRBI

**GLAZE ALL 4 DOORS**

**13**

30mm 50

Attach CONHINGE1800 (hinge) as shown to 2 of the doors using 30mm screws evenly positioned.

**2 DOORS**

**14**

30mm 50

Attach the first door to the frame the position and attach the second (morticed) door making sure that the mortice is on the open side. door. Repeat with other door

**8**

30mm 8

30

PANEL PIN

15120370PTR

SUMHWIN

ACRWIN10303653

15121019PTR

Secure the SUMHWIN (window beading) in place using the panel pins provided

**GLAZE THE OPENING WINDOW IN THE SAME WAY.**

**9**

30mm 10

**15**

80121760DTR 30mm 36

Secure the 80121760DTR (side roof boards) to the roof panels frame work 4x30mm screws per board

**REPEAT ON OTHER ROOF ENDS**

32161760PTR 30mm

Secure the 32161760PTR (roof drip strip) through the roof side board into the roof panel frame work using 4x30mm screws per board

**REPEAT ON OTHER ROOF ENDS**

65121760PTR 30mm

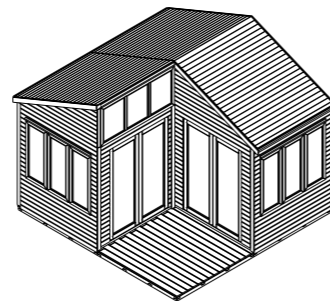
Secure the 65121760PTR underside roof boards to the roof panels frame work 4x30mm screws per board

**REPEAT ON OTHER ROOF ENDS**

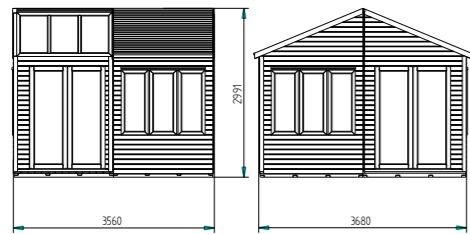
Underside view

# MODULAR SUMMERHOUSE (MODSUM03)

**IMPORTANT: ASSEMBLY OF THIS SUMMER HOUSE REQUIRES THREE PEOPLE AND A SET OF STEPS**



SHOULD YOU REQUIRE ANY ADDITIONAL GUIDANCE WITH THE ASSEMBLY OF YOUR SHED PLEASE CONTACT OUR TECHNICAL HELP LINE ON 0844 248 9853.



IMPORTANT, RETAIN FOR FUTURE REFERENCE: READ CAREFULLY

**REQUIRED TOOLS: (NOT SUPPLIED)**



Thank you for choosing this garden building manufactured by the UK's largest manufacturer of timber garden products. In order to gain the most benefit from it, please note the following:

- Exercise particular care and follow instructions whilst cutting the roofing felt. If it is cut incorrectly, additional roofing felt can be inexpensively purchased from most good DIY retailers or garden centres.
- This building is pressure treated to ensure the longevity of all timber components and protect against rot. This may leave a colour difference on some parts that will even out as the moisture contents stabilise.
- If there are any technical queries with the product, please contact our customer help line on 0844 248 9853 between the hours of 8.30 am and 5.00 pm Monday to Friday.
- Please ensure that you thoroughly check all component parts for quantity and quality before you commence building the product. If there are any missing parts, please contact the help line as shown immediately. The manufacturer cannot be held liable for damaged items once any part of the product has been fitted or altered in any way (e.g. Painted)
- Timber is a natural material. It will shrink and swell as a result of varying moisture content.
- Please keep all plastic bags and small parts away from children in order to reduce the risk of suffocation.

The roof of this structure is not load bearing.

2	3	4	6	1	1	2	1	1
2	1	1	1	3	4	1		
12 15x12x370mm (15120370PTR)	8 15x12x515mm (15120515PTR)	12 15x12x1099mm (15121099PTR)		3	8	6 - LONG 3 - SHORT		
12 15x12x460mm (1510370460PTR)	6 15x12x650mm (15120650PTR)	4 15x12x1344mm (15121344PTR)		1				
6 15x12x500mm (15120500PTR)	12 15x12x1010mm (15121010PTR)	8 15x12x1640mm (15121640PTR)						
3 32x16x1760mm (32161760PTR)	1 55x22x1760mm (55221760MPTR)							
2 45x28x1500mm (45281500PARSPTR)								
1 45x28x1690mm (45281690PARSPTR)								

Fixings not to scale

**FIXING PACK (MODSUM03FP)**

**1**

Secure the corners from the outside using 3x150mm nut/bolt per corner.

**MUST PRE DRILL**

**2**

**MUST PRE DRILL**

**3**

**MUST PRE DRILL**

**4**

Attach the left and right apex together using 2x100mm bolts. There are two metal straps supplied to secure the left and right apex using 30mm screws.

**MUST PRE DRILL**

**The roof is not load bearing. Do not climb, stand or sit on.**

**16**

**FELT NAIL**

**FELT**

**17**

Secure the **90122115A2PTR** (front side roof boards) to the eaves using 4x30mm screws per board

**30mm**

**20**

45281690PARSPTR

After attaching the **SUMTOPINS** (window insert) attach an **45281690PARSPTR** (window drip strip)

**18**

Before attaching corner strips fit and attach the extra **OM95140208PTR**, **OM95141760PTR** and **OM95140134PTR** (boards to create a skirt around the whole of the building.

**30mm**

**32**

OM95140134PTR

OM95140208PTR

OM95141760PTR

**19**

Secure corner and the side covering strips using 3x30m screws top, middle and bottom of each covering strip.

**30mm**

**30**

72122045PTR

72120750PTR

72122045PTR

72122045PTR

72122045PTR

72122045PTR

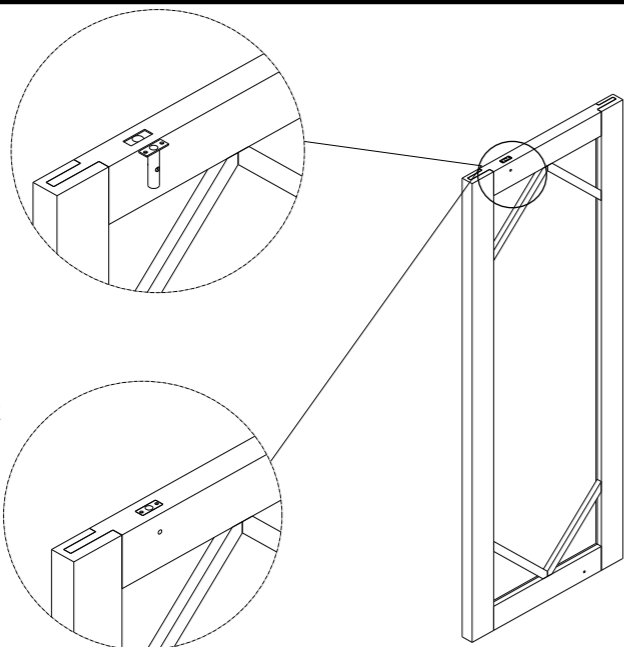
Secure corner strips (**72122045PTR**) at each corner using 3x30mm screws

**DOOR AND WINDOW FITTINGS**

Drill a hole the same diameter as the rack lock into the door frame as close to the middle of the frame and where the second door will be as possible.

Chisel a channel to fit the plate into the top of the door. And secure using screws provided.

When the door is positioned in the frame mark where the lock comes to with in the door frame and drill a hole wide enough and deep enough to hold the pin. Attach the brass protection plate using screw provided.



Position the rack lock against the top of what will be the first door in each set. (This is the door attached to the door panel) This will tell you how deep you need to drill you door frame and where you will need to drill a hole to allow the lock to locate.

Make a mark where the hole for the key is to the inside of the door. Drill with a 8mm drill bit before inserting the lock into frame.

Insert mortice sash lock into pre-cut mortice in door. Please note : the bolt on this lock is reversible. It may be necessary to rotate the bolt in order to make the lock operate correctly (this must be checked prior to placing lock into door). Once positioned correctly, secure the lock in place with two of the screws provided.

Mark the position of the keep opposite the sash lock. You will need to chisel out a small area to place the keep so that it sits flush with the door.

The curved lip of retainer must be placed to the outside of door. Secure in place with two of the screws provided.

**Spindle**

Place door lock spindle in to pre-drilled hole on door. Place a door handle at either side of the door and secure in place with 25mm screws.

With door open, position hook on corner strip to right of door, and position eye on outside of door so that they will hold door open at desired position. Secure both with 25mm screws. Repeat procedure for left hand door.

**Eye Hook**

Attach window casement stay to opening windows with two 25mm screws. Stay should be placed centrally on bottom window batten and flush at the bottom side of the batten (on inside of summerhouse). Position the two window casement pins onto the window cill so that they line up with the first and last holes on the window stay, and secure each in place with two 25mm screws.

**Opening window latch**

Position the latch in the closed position and attach using 2x25mm screws provided secure using screws provided.

To secure the window latch. Position in desired location. With a chisel make a trough to receive the latch and cover with the latch plate.