

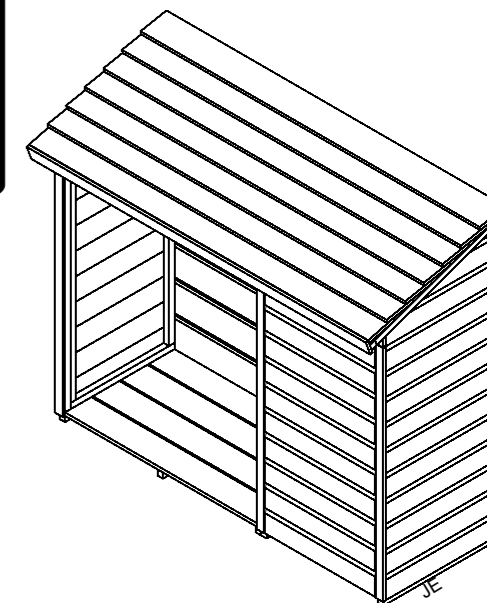
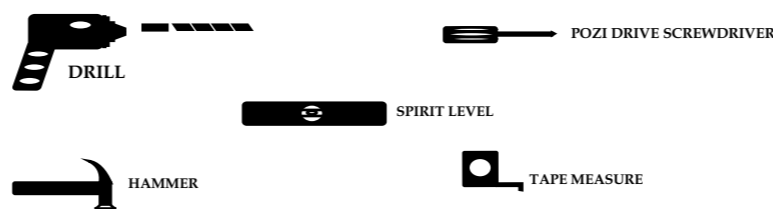
LOG TOOL STORE

IMPORTANT, RETAIN FOR FUTURE REFERENCE: READ CAREFULLY

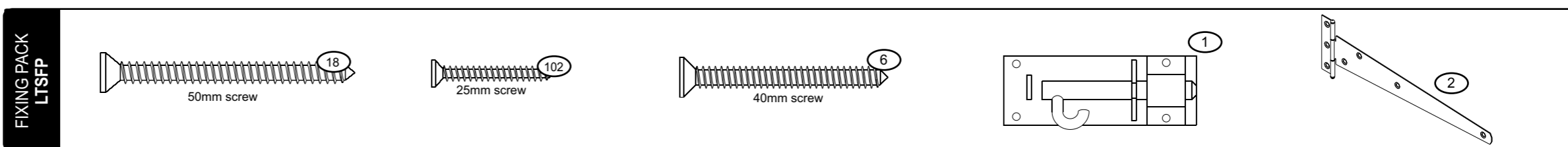
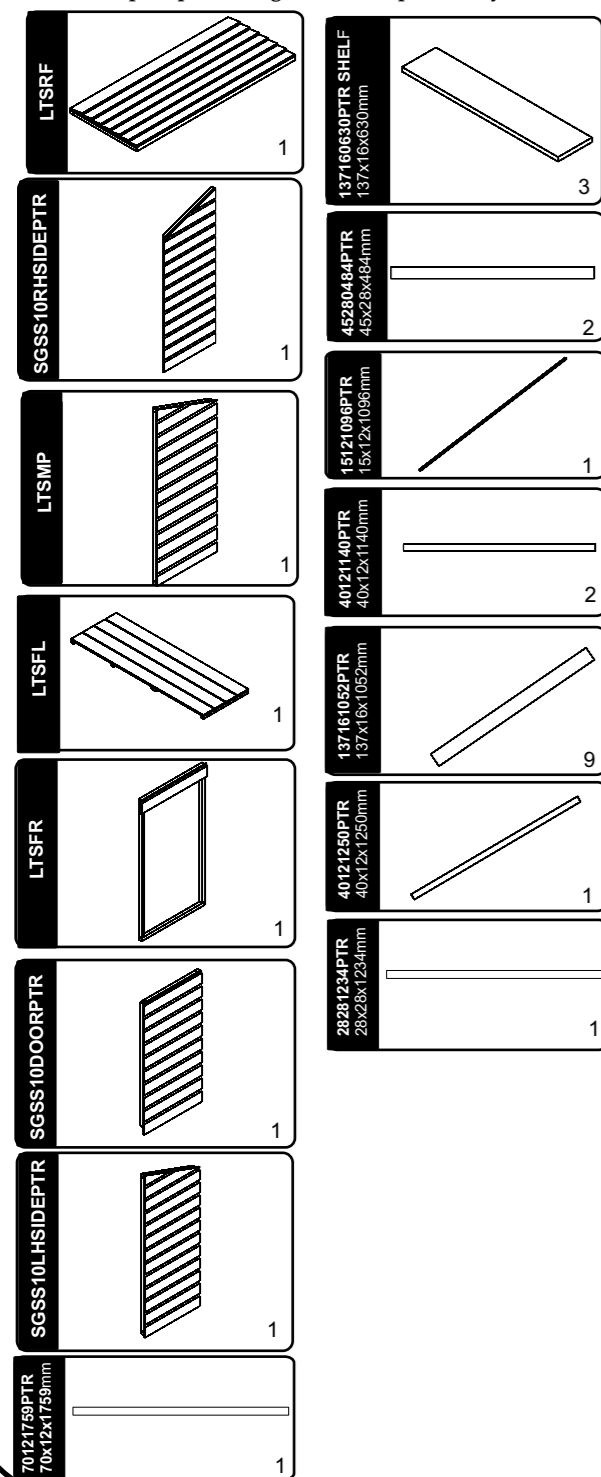
Thank you for choosing this garden building manufactured by the UK's largest manufacturer of timber garden products. In order to gain the most benefit from it, please note the following:

- Exercise particular care and follow instructions whilst cutting the roofing felt. If it is cut incorrectly, additional roofing felt can be inexpensively purchased from most good DIY retailers or garden centres.
- This product is pressure treated to ensure longevity of all timber components against rot. This may leave a colour difference on some parts that will even out as the moisture content stabilises.
- If there are any technical queries with the product, please contact our customer help line on 0844 248 9853 between the hours of 8.30 am and 5.00 pm Monday to Friday.
- Please ensure that you thoroughly check all component parts for quantity and quality before you commence building the product. If there are any missing parts, please contact the help line as shown immediately.
- The manufacturer cannot be held liable for damaged items once any part of the product has been fitted or altered in any way (e.g. Painted)
- Timber is a natural material. It will shrink and swell as a result of varying moisture content.
- Please keep all plastic bags and small parts away from children in order to reduce the risk of suffocation.

REQUIRED TOOLS : (NOT SUPPLIED)



PRE DRILL ALL HOLES BEFORE SCREWING



LTSFL

SGSS10RHSIDEPTR

LTSMP

45280484PTR

137160630PTR

LTSFR

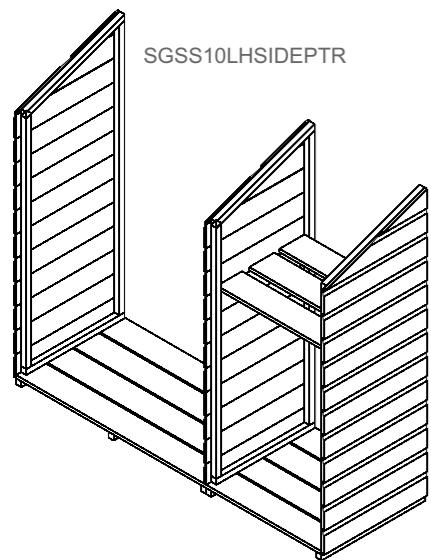
A Place the right hand side onto the floor, making sure the bottom lip is tight against the batten and that the edges line up. Secure into position using 2x50mm screws, screwing into the bearer underneath.

B Place the mid section in place so that it is in line with the right hand panel and in line with the batten, closest to the side panel, underneath. Secure in place using 2x50mm screws.

C Position a 45x28x484mm batten inside the frame work of the mid section and secure in place, screwing through the frame work into the end of the batten using 1x40mm screw for each end. Line up the other batten on the other side and repeat the process.

D Place the three 630mm boards onto the battens and screw in place using 4x25mm screws for each.

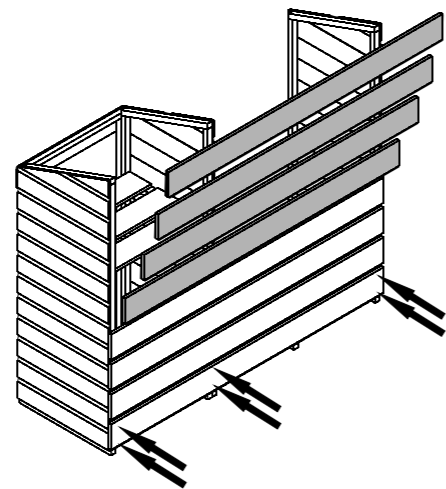
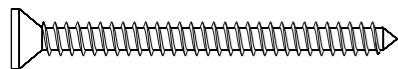
E Place the front panel against the front of both the mid and right panels so that it is line and sits on the floor. Secure into place by screwing through the batten into the framing of both panels using 2x50mm screw each. Use 2x40mm screws to secure it to the floor.



SGSS10LHSIDEPTR

F

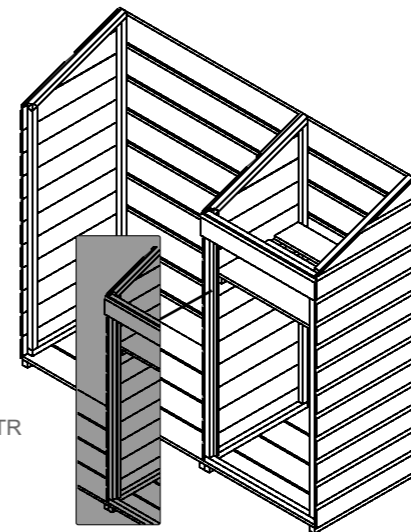
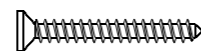
Position the left hand side on the end of the floor again making sure that the bottom lip is tight against the floor and that the sides line up. Secure using 2x50mm screws.



137161703PTR

G

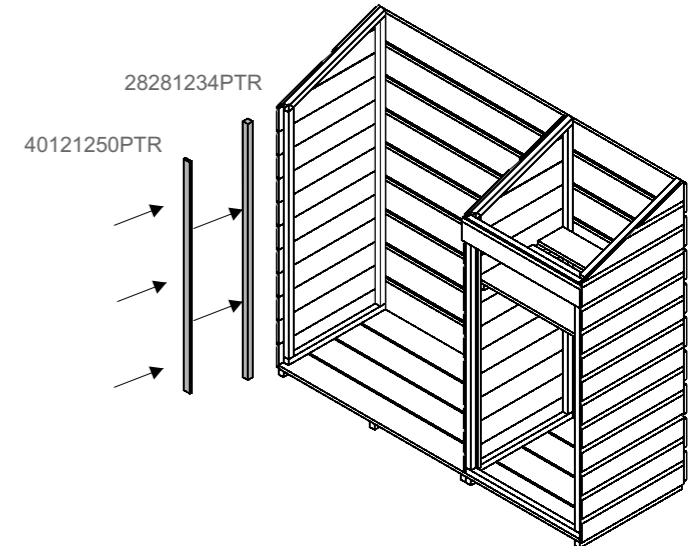
Position the bottom board so that it is flush on both ends and in line with the floor. Secure in place by screwing into the ends off each panel using 2x25mm screws. Space the remaining boards out evenly, approx 25mm and repeat the process.



15121096PTR

H

Place the 15x12x1096mm, door stop, against the framework of the mid section. Make sure this lines up with the frame of the door panel and fix in place using 3x25mm screws.

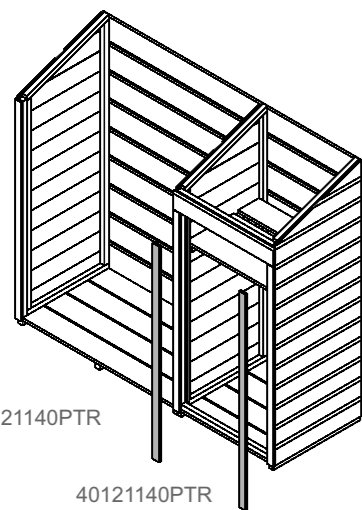
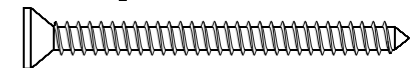
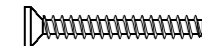


28281234PTR

40121250PTR

I

Position the 28x28x1234mm batten against the framework of the left hand side making sure it is flush. Secure using 2x50mm screws. Position the 40x12x1250mm strip against this so that it too is flush and covering the clad material. Secure in place using 3x25mm screws.

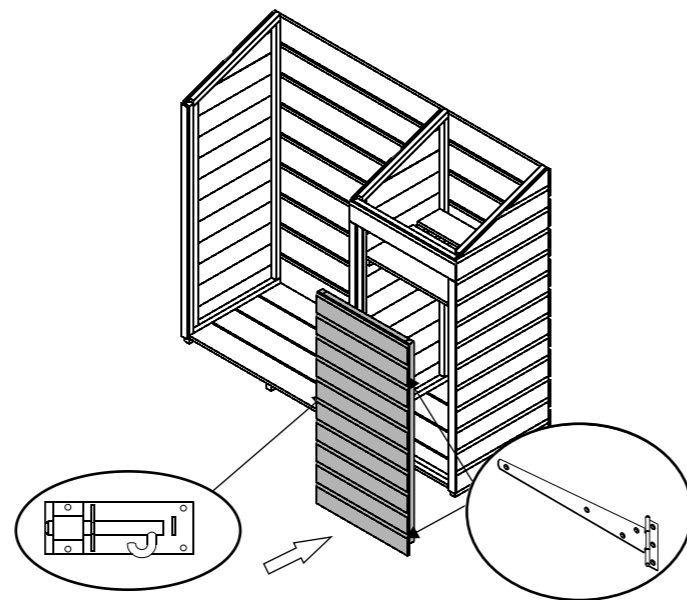
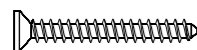


40121140PTR

40121140PTR

J

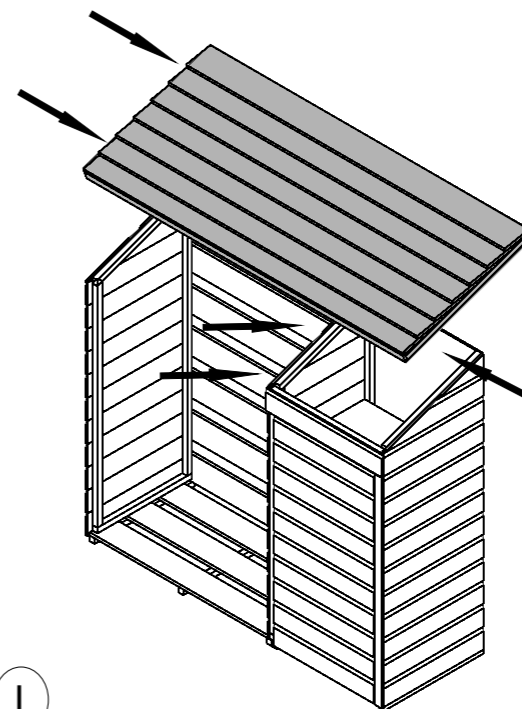
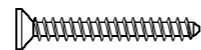
Position the two 40x12x1140mm strips against the front of the door panel either side. Make sure that these line up with the edges and cover the ends of the clad material. Secure each in place using 3x25mm screws, screwing into the batten behind.



K

Screw the hinges onto the door making sure the screws locate in the blocks behind using 4x25mm screws for each hinge. Position the door in the door frame and fix the other part of the hinge in place using 3x25mm screws for each.

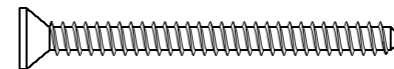
Place the pad bolt in the same manner using 6x25mm screws.



L

Position the roof onto of the assembly as shown making sure that the overhang is on the front. Fix the roof in place by screwing through the battens in to the right and left hand sections framing using 2x50mm screws for each end.

Use a further 2x50mm screws to fix the central batten of the roof to the mid section.



70121759PTR

M

Place the 70x12x1759mm strip across the front of the roof and secure by screwing through the board into the batten behind using 4x25mm screws.

