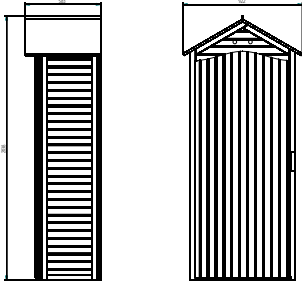
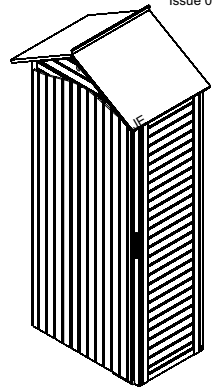


TALL GARDEN STORE



Thank you for choosing this garden building manufactured by the UK's largest manufacturer of timber garden products. In order to gain the most benefit from it, please note the following:

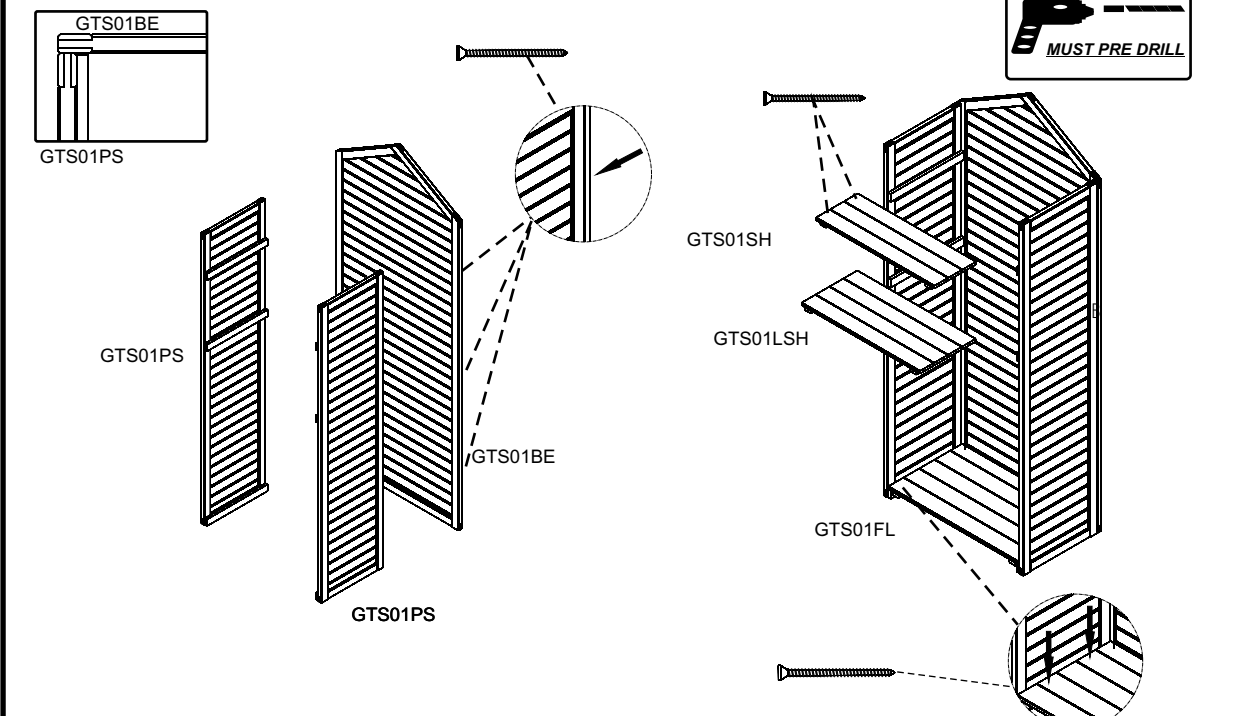
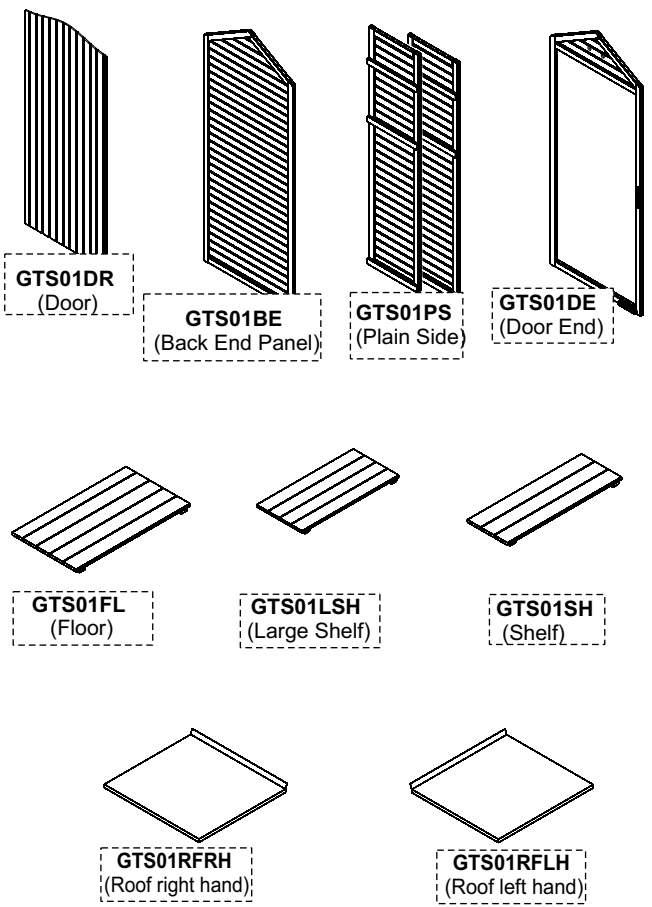
- Exercise particular care and follow instructions whilst cutting the roofing felt. If it is cut incorrectly, additional roofing felt can be inexpensively purchased from most good DIY retailers or garden centres.
- This building is pressure treated to ensure the longevity of all timber components and protect against rot. This may leave a colour difference on some parts that will even out as the moisture contents stabilize. We recommend that you treat your new building as soon as possible after assembly, using a wood preservative treatment. Apply in accordance with the manufacturers instructions.
- If there are any technical queries with the product, please contact our customer help line on 0844 248 9853 between the hours of 8.30 am and 5.00 pm Monday to Friday.
- Please ensure that you thoroughly check all component parts for quantity and quality before you commence building the product. If there are any missing parts, please contact the help line as shown immediately. The manufacturer cannot be held liable for damaged items once any part of the product has been fitted or altered in any way (e.g. Painted)
- Timber is a natural material. It will shrink and swell as a result of varying moisture content.
- Please keep all plastic bags and small parts away from children in order to reduce the risk of suffocation.
- This product must be built on a solid level base.



Recommended Tools



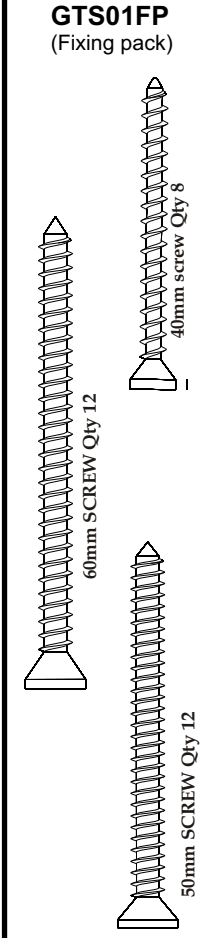
Important :
Assembly of this product requires two people.

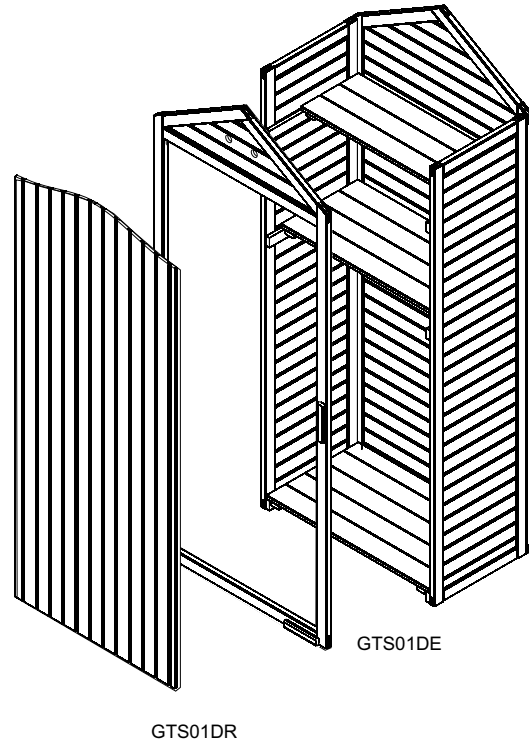


Place the two plain side panels against the back end panel as shown. Secure each in place using 3 x 60mm screws, evenly spaced, screwing through the end panel into the sides.

Place the floor inside so that it site on the bottom battens of the side panels. Secure this in place screwing through the floor into the battens using 2 x 50mm screws for each side.

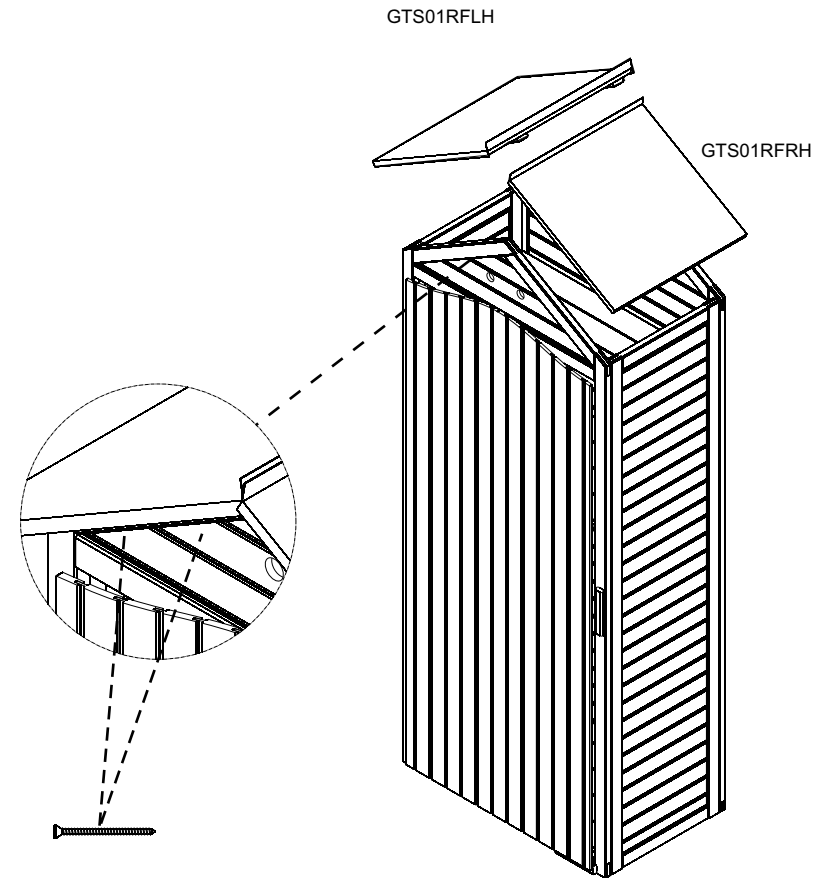
Place the shelves so that they also sit on the batten of the side panels and secure in place by screwing through the shelves into the batten using 2 x 40mm screws for each side. (4 screws for each shelf)





Position the door end against the building and secure this in position as you did the back end, using 3 x 60mm screws, evenly spaced, screwing through the door end into the side panels.

Lift the door and slot the hinges over the pins that are already fixed to the door end.



Place the two roof sections so that they sit on to the building with the overhang at the front. Secure each roof section in place by screwing through the front and back panels of the building, making sure that the screws locate into the battens of the roof sections using 2 x 50mm screws for each side.