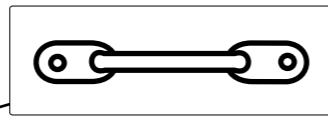
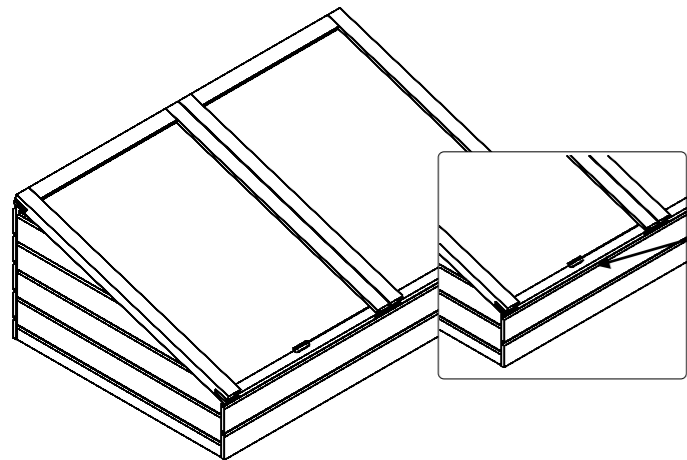
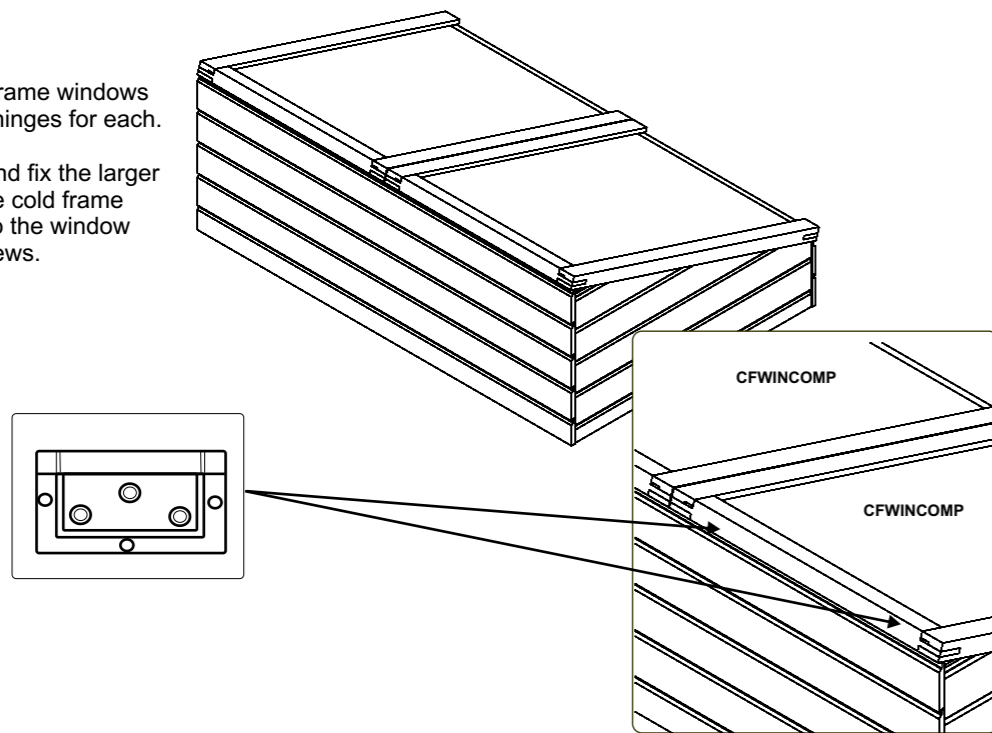


Place and fix the cold frame windows to the frame using 2 x hinges for each.

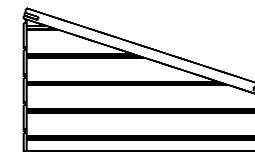
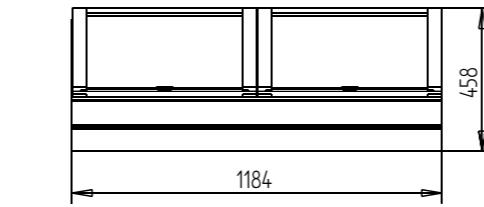
Positioned as shown and fix the larger plate of the hinge to the cold frame and the smaller plate to the window frame using 25mm screws.



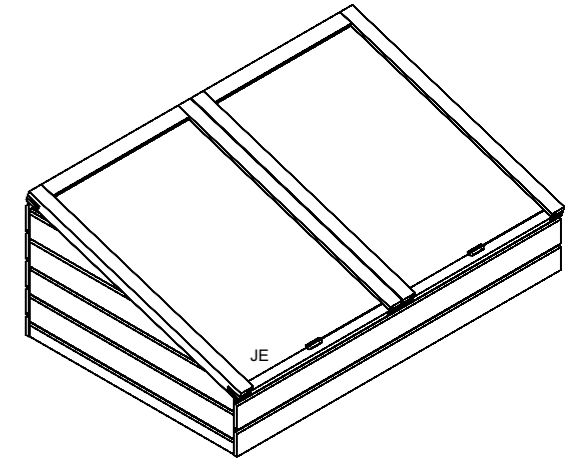
Place the handles on to the front of the cold frame windows, positioned centrally, and fix in place using the screws provided.

COLD FRAME

0109

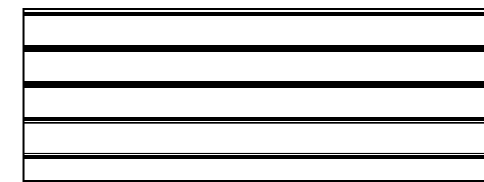


Important :
Assembly of this product requires two people.

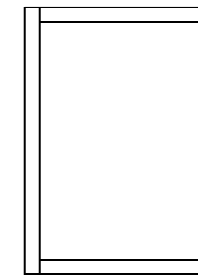


Thank you for choosing this product manufactured by the UK's largest manufacturer of timber garden products. In order to gain the most benefit from it, please note the following:

- Exercise particular care and follow instructions.
- This base is pressure treated.
- Please ensure that you thoroughly check all component parts for quantity and quality before you commence building the product. If there are any missing parts, please contact the help line as shown immediately. The manufacturer cannot be held liable for damaged items once any part of the product has been fitted or altered in any way (e.g. Painted)
- Timber is a natural material. It will shrink and swell as a result of varying moisture content.
- Please keep all plastic bags and small parts away from children in order to reduce the risk of suffocation.
- If there are any technical queries with the product, please contact our customer help line on 0844 248 9853 between the hours of 8.30 am and 5.00 pm Monday to Friday.



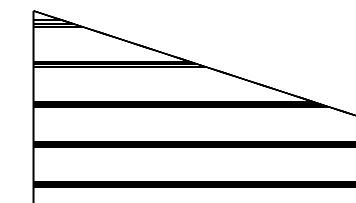
CFBACK (Cold frame Back) Qty 1



CFWINCOMP (Cold frame window) Qty 2



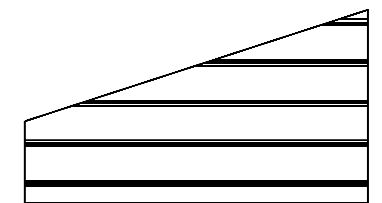
CFFRONT (Cold frame front) Qty 1



CFLHS (Cold frame Left Hand Side) Qty 1

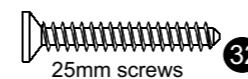
28280690PTR (Lgprop) 28 x 28 x 690mm (Qty 2)

28280118PTR (Smprop) 28 x 28 x 690mm (Qty 2)

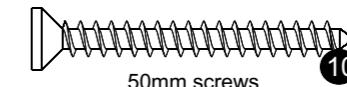


CFRHS (Cold frame right hand side) Qty 1

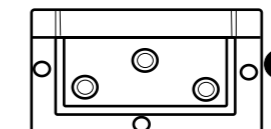
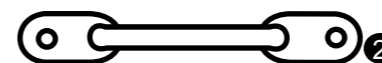
COLDFRAMEFP (FIXING PACK)



25mm screws **32**



50mm screws **10**



REQUIRED TOOLS : (NOT SUPPLIED)



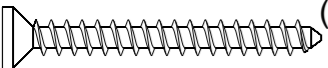
DRILL

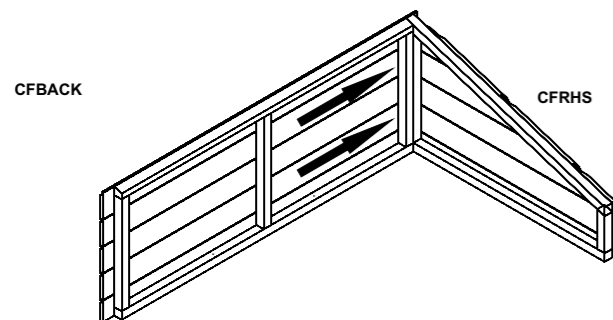


POZI DRIVE SCREWDRIVER

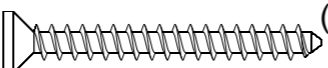


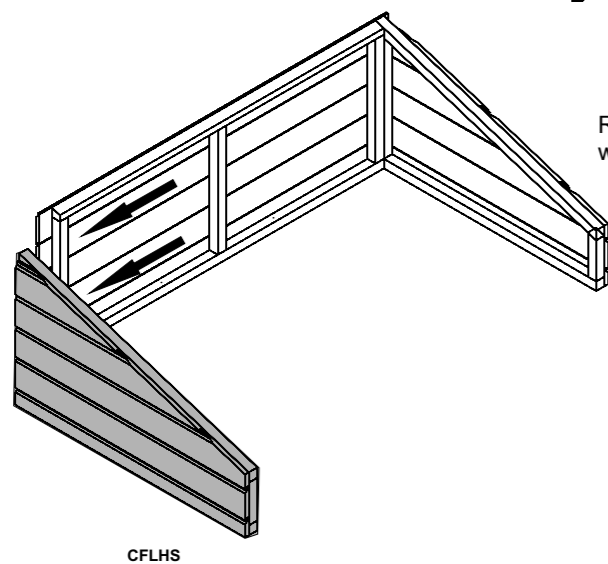
TAPE MEASURE

1  (2)

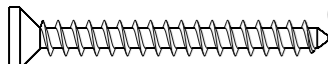


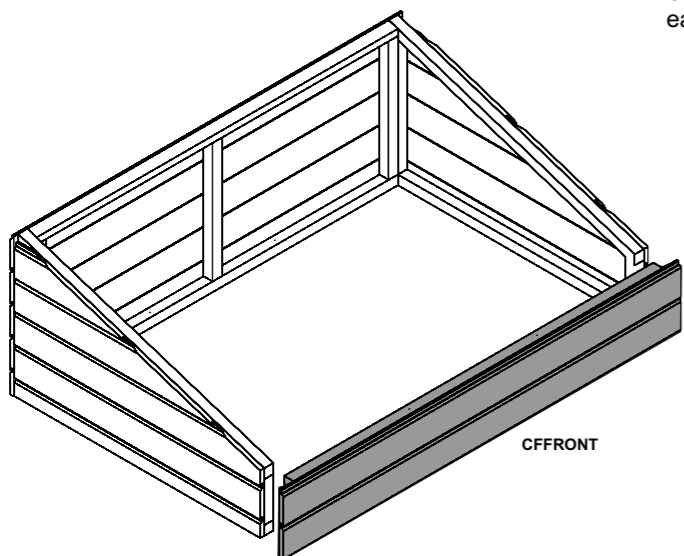
Secure the back panel to the right hand side using 2x50mm screws.

 (2) **2**

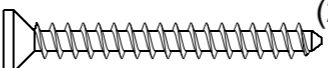


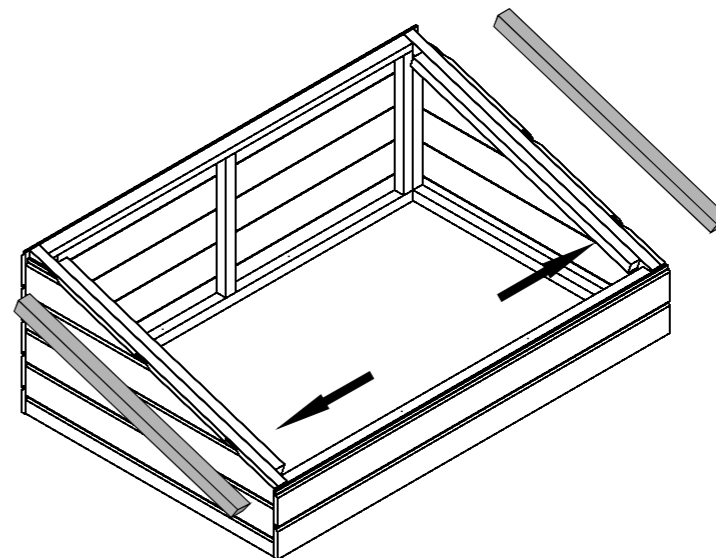
Repeat the same step as before with the left hand panel

3  (2)

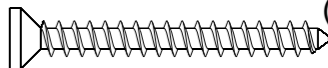


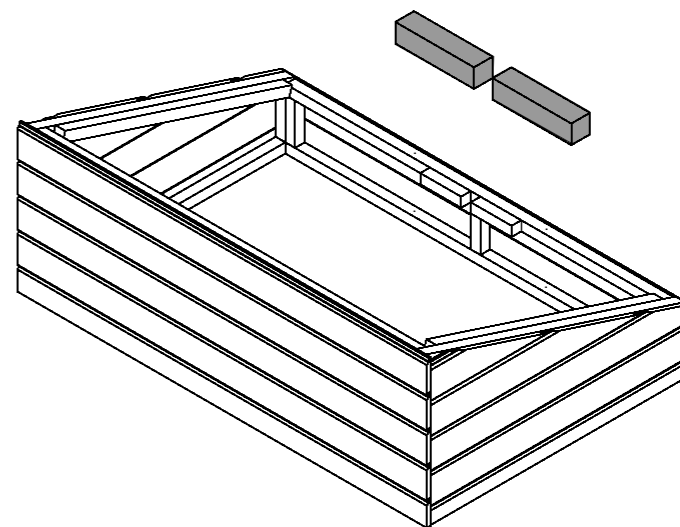
Place the front panel so that it meets up with the two side panels. Secure using a 50mm screw for each side

4  (2)



Place the two large props on the inside of the left and right side panels. Fix each in place using a single 50mm screw at one end, making sure that the prop can pivot.

 (2) **5**



Place the two small props on the inside of the front panel on both sides of the central batten. Fix each in place using a single 50mm screw at one end, making sure that the prop can pivot.