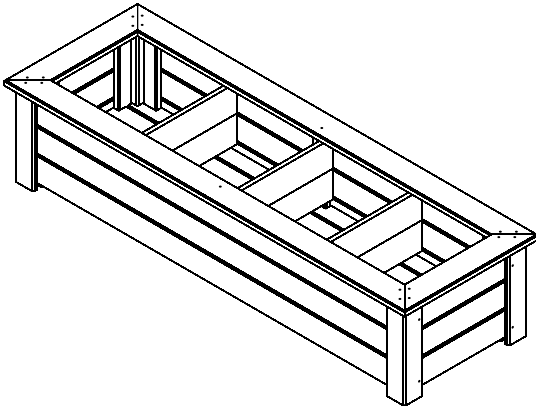


'BAMBURGH' HERB PLANTER

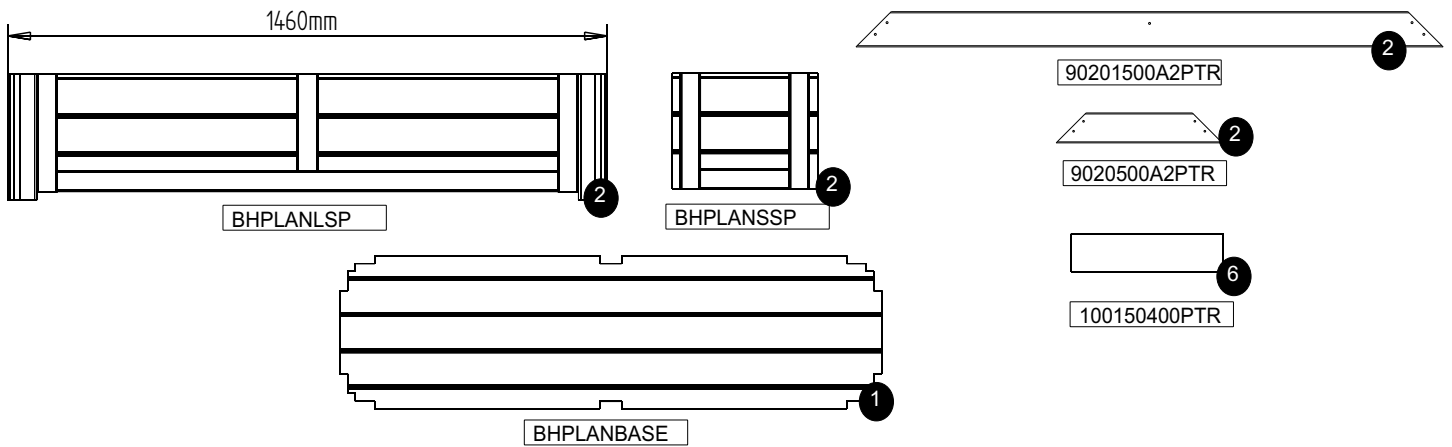
IMPORTANT, RETAIN FOR FUTURE REFERENCE: READ CAREFULLY

0109

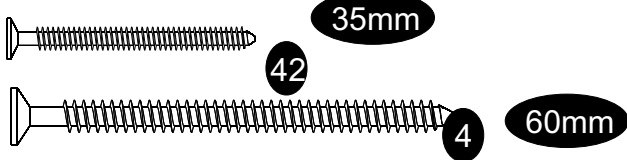


Thank you for choosing this product manufactured by the UK's largest manufacturer of timber garden products. In order to gain the most benefit from it, please note the following:

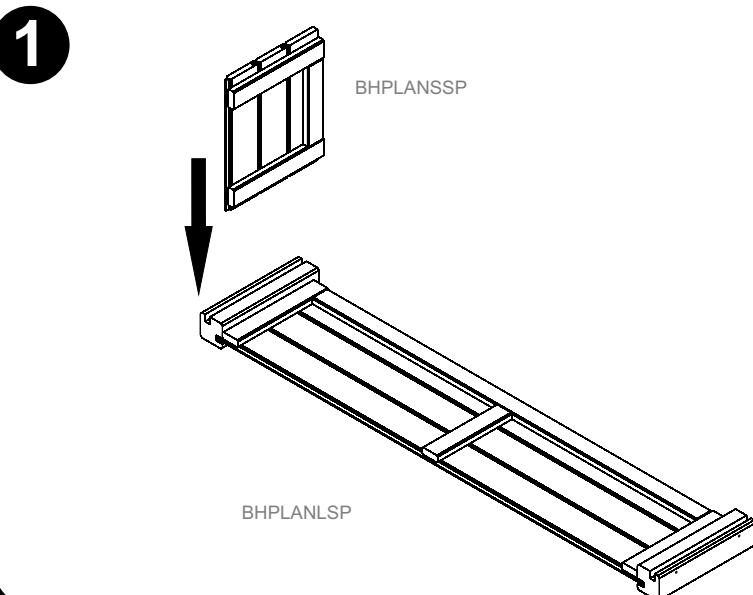
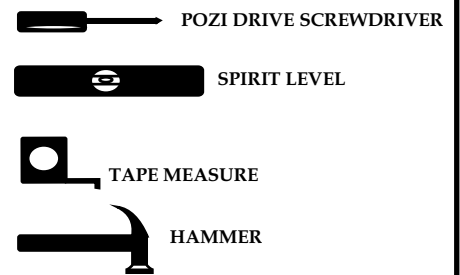
- Exercise particular care and follow instructions.
- This product is pressure treated to ensure the longevity of all timber components and protect against rot. This may leave a colour difference on some parts that will even out as the moisture content stabilises.
- Please ensure that you thoroughly check all component parts for quantity and quality before you commence building the product. If there are any missing parts, please contact the help line as shown immediately. The manufacturer cannot be held liable for damaged items once any part of the product has been fitted or altered in any way (e.g. Painted)
- Timber is a natural material. It will shrink and swell as a result of varying moisture content.
- Please keep all plastic bags and small parts away from children in order to reduce the risk of suffocation.
- If there are any technical queries with the product, please contact our customer help line on 0844 248 9853 between the hours of 8.30 am and 5.00 pm Monday to Friday.



(FIXING PACK) BHPFP



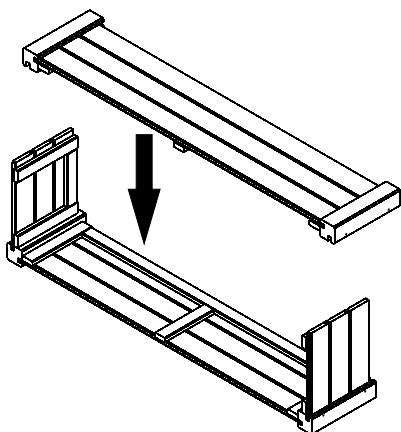
REQUIRED TOOLS : (NOT SUPPLIED)



Place the **BHPLANSSP** into the **BHPLANLSP** as shown. Make sure that it is flush with the top and bottom and that it is secure in the post.
Repeat this step for the other BHPLANSSP.

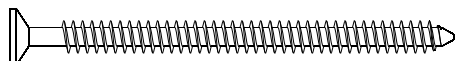
Use the piece of wood from the packing to place against the product when hammering into position so as not to damage the planter.

2



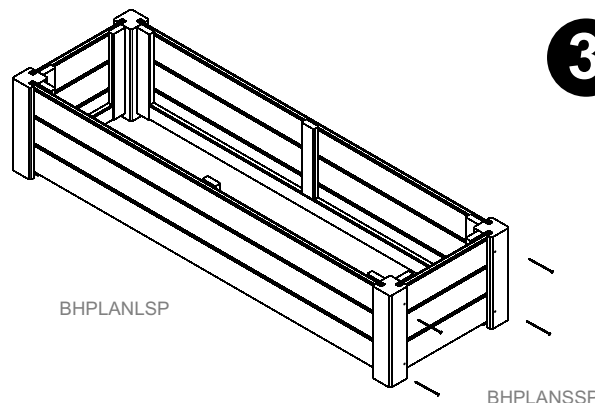
Place both the sides together and position so that all sides are flush and secure.

Again use the piece of wood from the packing to place against the product when hammering into position so as not to damage the planter.



Using the holes provided secure the **BHPLANLSP**'s to the **BHPLANSSP**'s using 4x60mm screws as shown

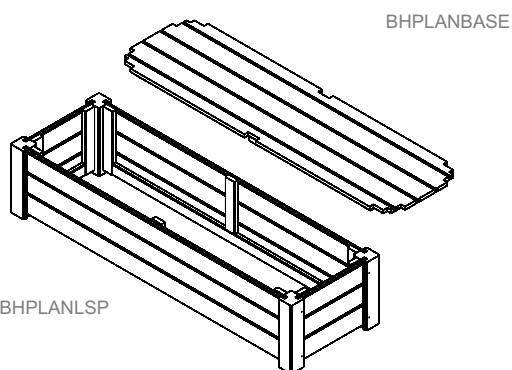
3



BHPLANLSP

BHPLANSSP

4



BHPLANLSP

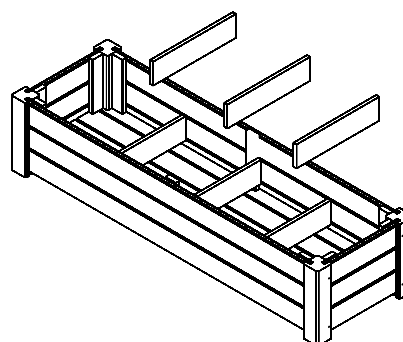
BHPLANBASE

Place the **BHPLANBASE** inside the planter by so that it sits onto the framework of the side sections.

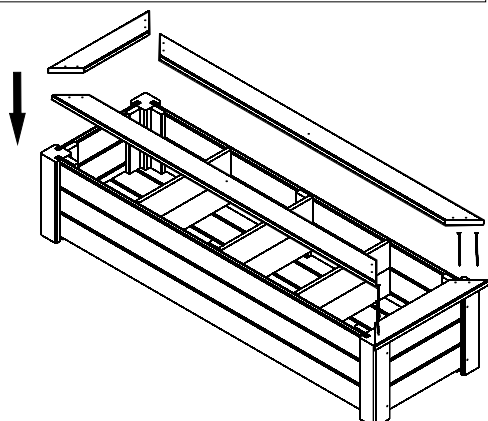


Place the 400mm boards inside the planter as shown, spacing them out evenly. Secure each in place by screwing through the side panels into the boards using 2 screws for each end. **Secure the top boards first so that they are in line with the top of the sides. Push the others up to meet them so that there is a gap at the bottom**

5



6



Position the ledges before fixing.

Take time to make sure that these line up correctly and are square. The ledges should overhang approximately 20mm's from the posts.

Once in place fix in position with 35mm screws.